



US00D488750S

(12) **United States Design Patent**  
**Barbosa et al.**

(10) **Patent No.:** **US D488,750 S**

(45) **Date of Patent:** **\*\* Apr. 20, 2004**

(54) **OPENING IN A BRAKE CALIPER**

(75) Inventors: **Manuel Barbosa**, Novi, MI (US); **Sean C. Barrett**, Farmington Hills, MI (US); **Philip N. Jedele**, Plymouth, MI (US)

(73) Assignee: **Akebono Corporation (North America)**, Farmington Hills, MI (US)

(\*\*) Term: **14 Years**

(21) Appl. No.: **29/178,273**

(22) Filed: **Mar. 24, 2003**

(51) **LOC (7) Cl.** ..... **12-16**

(52) **U.S. Cl.** ..... **D12/180**

(58) **Field of Search** ..... D12/180; 188/73.31,  
188/73.34, 73.3, 73.43, 218 XL

(56) **References Cited**

**U.S. PATENT DOCUMENTS**

3,884,332 A	5/1975	Walther et al.	188/73.4
4,200,173 A	4/1980	Evans et al.	188/73.3
4,485,897 A	12/1984	Kawaguchi et al.	188/73.39
4,805,745 A	2/1989	Thiel	188/73.31
4,878,564 A	11/1989	Kondo	188/73.31
5,022,500 A	6/1991	Wang	188/73.31
5,205,383 A	4/1993	Terashima	188/73.45
5,249,649 A	10/1993	Emmons	188/73.47
5,363,944 A	11/1994	Thiel et al.	188/73.31
5,464,077 A	11/1995	Thiel et al.	188/72.5
D378,363 S	3/1997	Sin	D12/180
D425,465 S	* 5/2000	Pink et al.	D12/180

D426,180 S	* 6/2000	Pink et al.	D12/180
6,131,706 A	10/2000	Gotti et al.	188/72.4
6,478,121 B2	11/2002	Reeves	188/73.31
D476,275 S	* 6/2003	Winkler et al.	D12/180
2001/0013448 A1	8/2001	Schorn et al.	
2001/0032757 A1	10/2001	Ballinger et al.	
2002/0014376 A1	2/2002	Ortegren et al.	
2002/0017436 A1	2/2002	Ortegren et al.	

**FOREIGN PATENT DOCUMENTS**

JP 55-135237 10/1980

\* cited by examiner

*Primary Examiner*—Melody N. Brown

(74) *Attorney, Agent, or Firm*—Harness, Dickey & Pierce, P.L.C.

(57) **CLAIM**

The ornamental design for an opening in a brake caliper, substantially as shown and described.

**DESCRIPTION**

FIG. 1 is a perspective view of an opening of a brake caliper in accordance with the present invention.

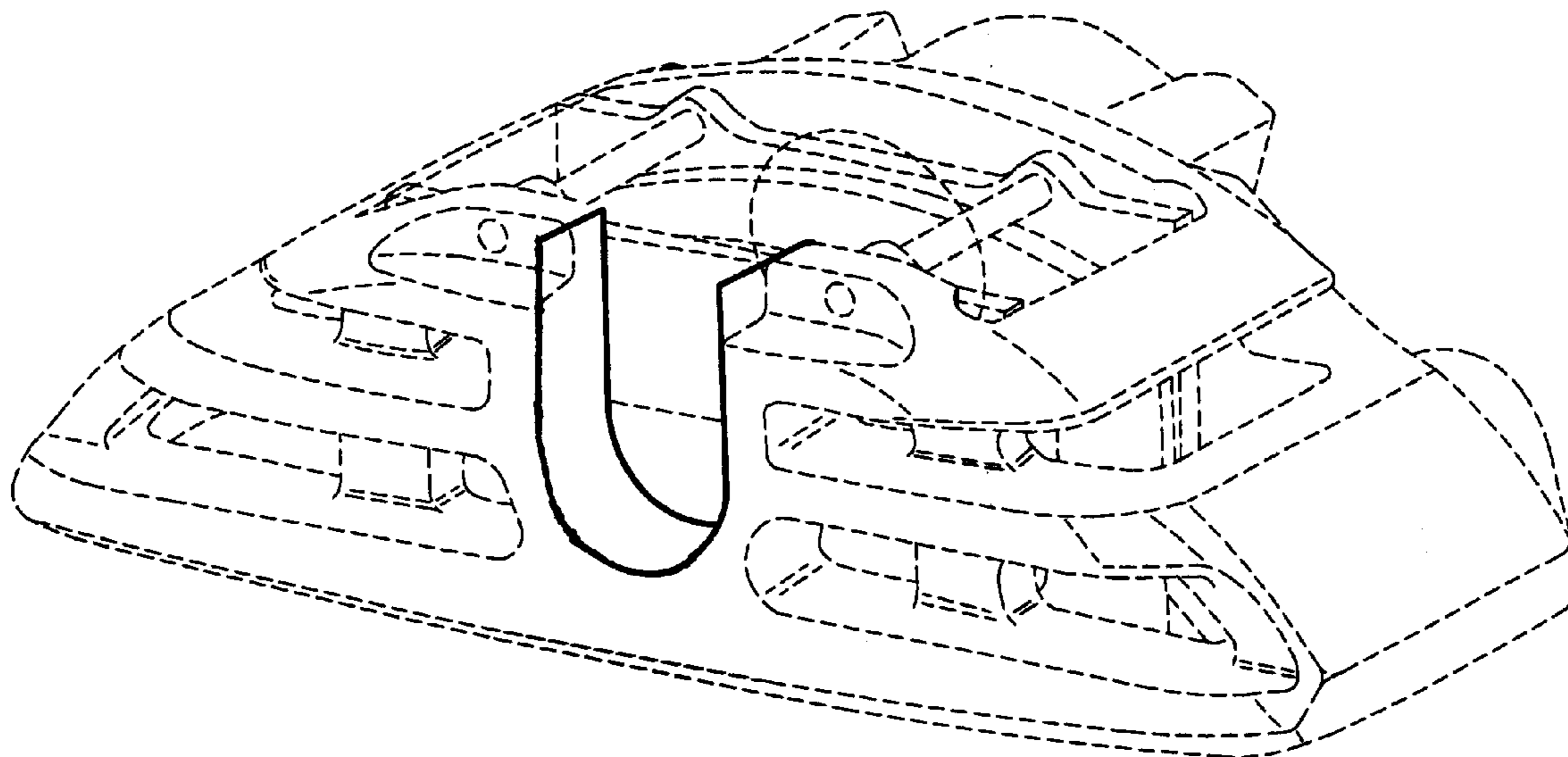
FIG. 2 is a front elevational view of FIG. 1.

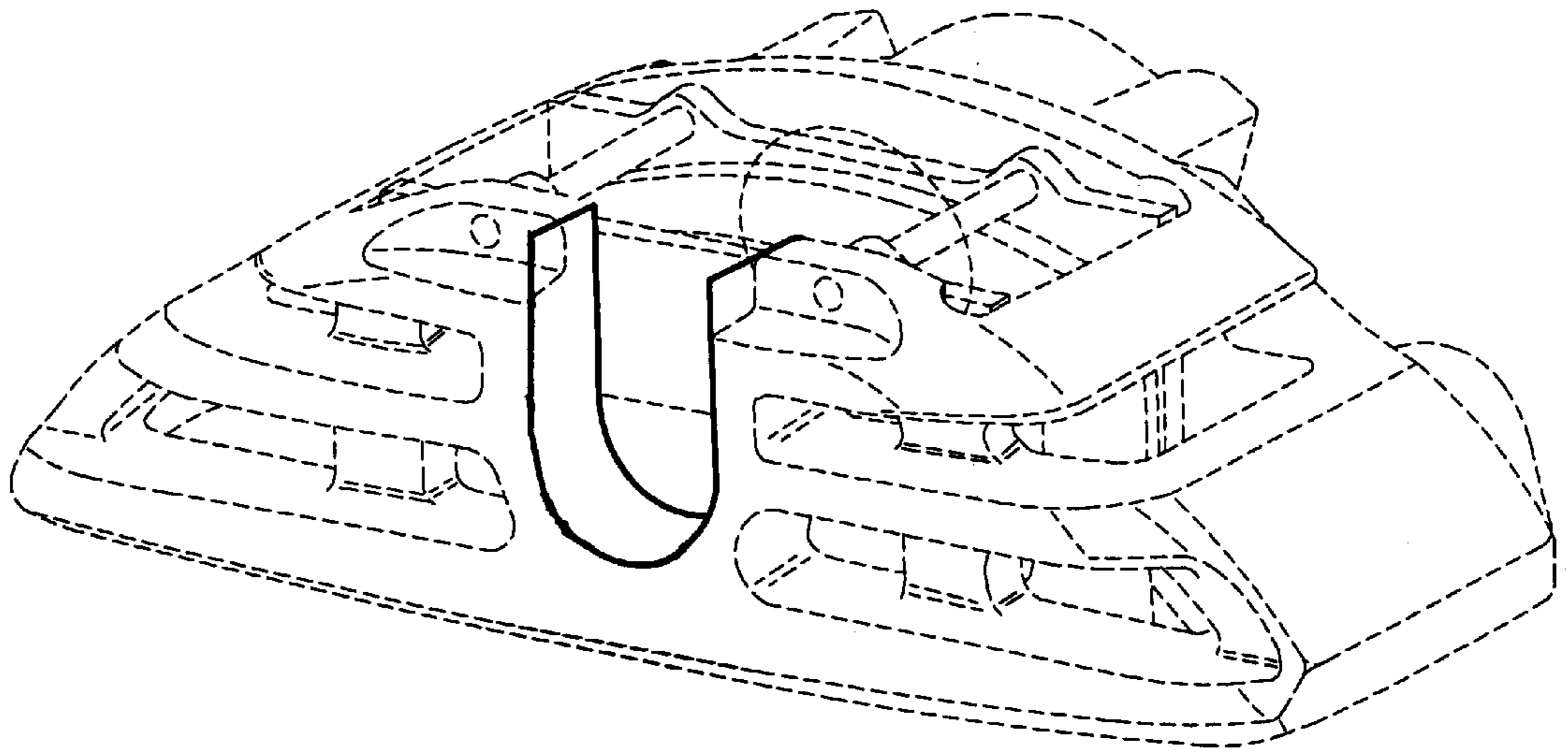
FIG. 3 is a side elevational view of FIG. 1; and,

FIG. 4 is a top plan view of FIG. 1.

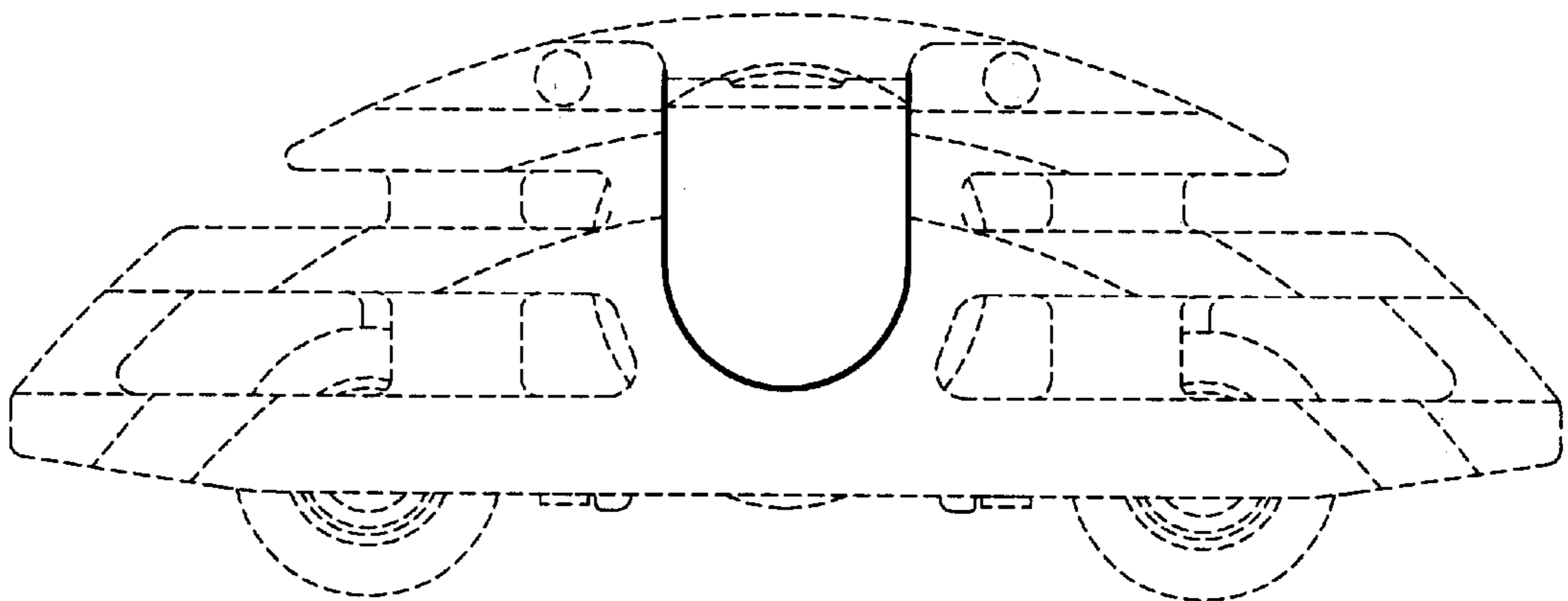
The broken lines shown in all views of the drawing are for illustrative purposes only and form no part of the claimed design.

**1 Claim, 2 Drawing Sheets**

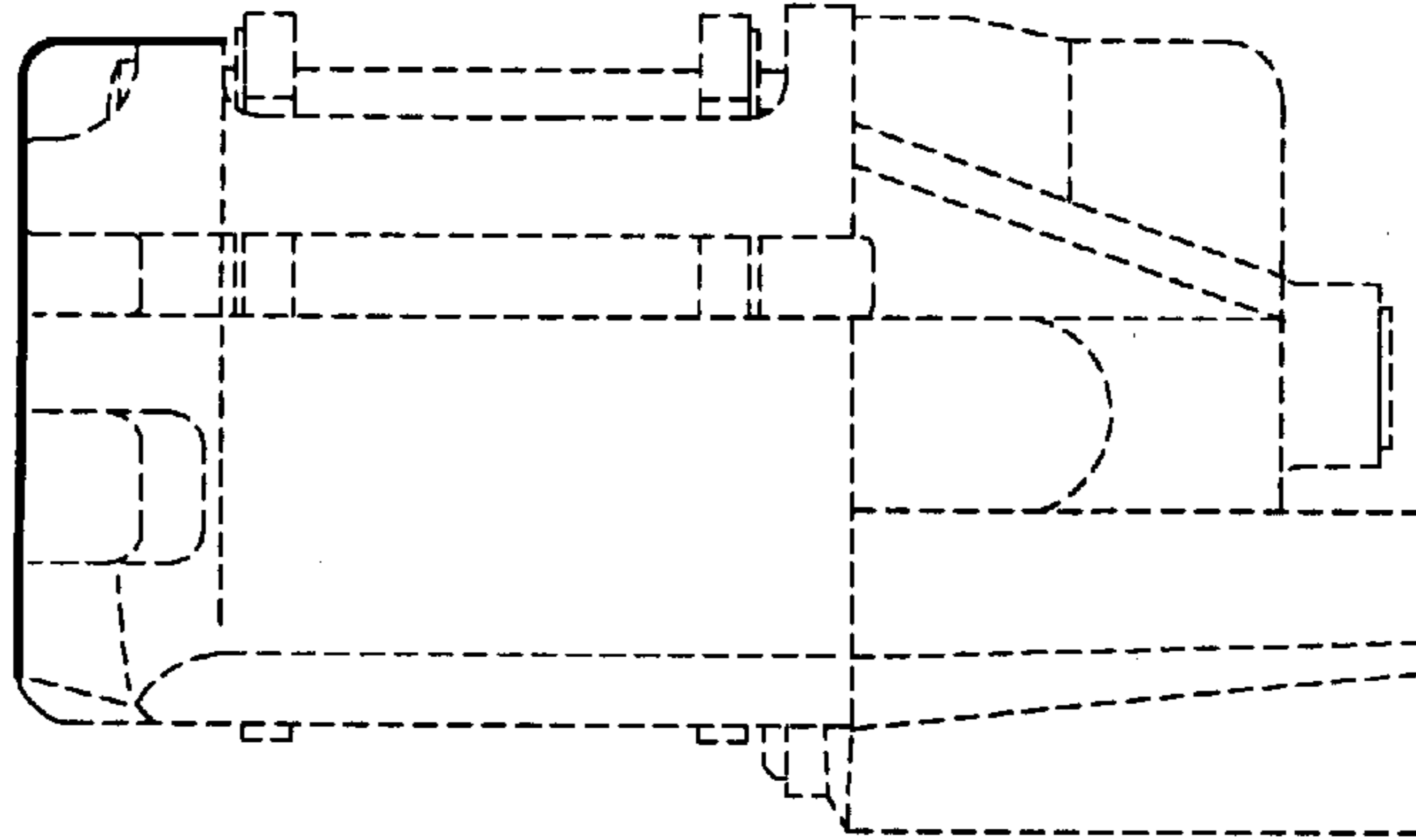




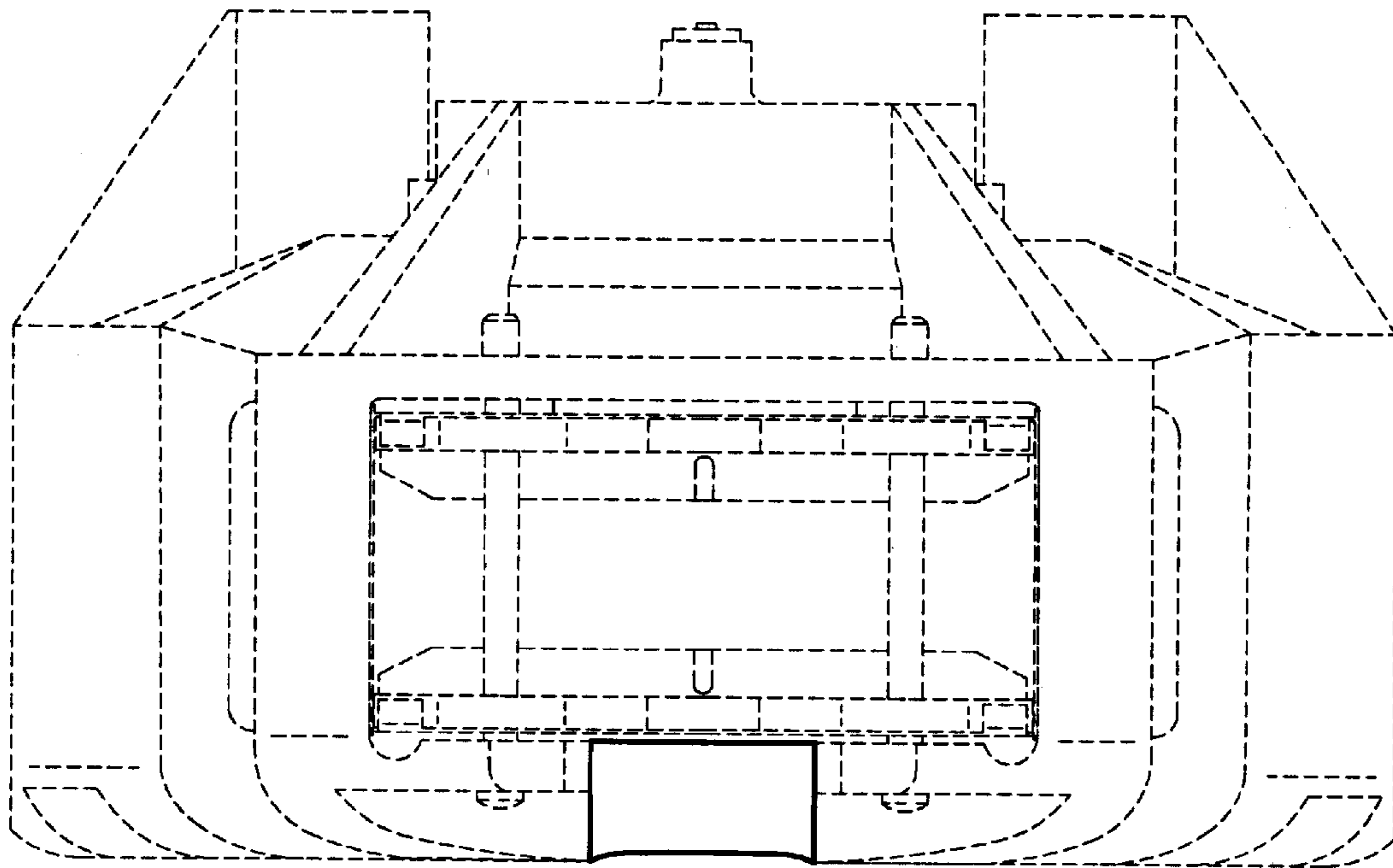
**FIG - 1**



**FIG - 2**



**FIG - 3**



**FIG - 4**