



US00D488747S

(12) **United States Design Patent**  
**Dudley et al.**

(10) **Patent No.:** **US D488,747 S**

(45) **Date of Patent:** **\*\* Apr. 20, 2004**

(54) **BICYCLE TRAINING WHEEL ASSEMBLY**  
(75) Inventors: **James P. Dudley**, Sacramento, CA (US); **Victor T. Robinson**, Sacramento, CA (US); **Duane M. Dejong**, Elk Grove, CA (US); **Jubal J. DeLong**, Sacramento, CA (US)

4,326,729 A 4/1982 Luckowski et al. .... 280/304  
4,615,535 A 10/1986 McMurtrey ..... 280/293  
5,054,803 A 10/1991 Ellingsen, Jr. .... 280/301  
5,133,569 A 7/1992 Rieber et al. .... 280/293  
5,352,403 A \* 10/1994 Egley ..... 280/293  
6,318,745 B1 11/2001 Sharp, III ..... 280/303

\* cited by examiner

(73) Assignee: **Design Annex, Inc.**, Sacramento, CA (US)

*Primary Examiner*—Alan P. Douglas  
*Assistant Examiner*—Linda Brooks

(\*\*) Term: **14 Years**

(74) *Attorney, Agent, or Firm*—Pennie & Edmonds LLP

(21) Appl. No.: **29/157,266**

(22) Filed: **Mar. 15, 2002**

(57) **CLAIM**

The ornamental design for a bicycle training wheel assembly, as shown and described.

(51) **LOC (7) Cl.** ..... **12-11**  
(52) **U.S. Cl.** ..... **D12/122**  
(58) **Field of Search** ..... D12/111, 114,  
D12/122; 280/293–295, 300, 301, 304

**DESCRIPTION**

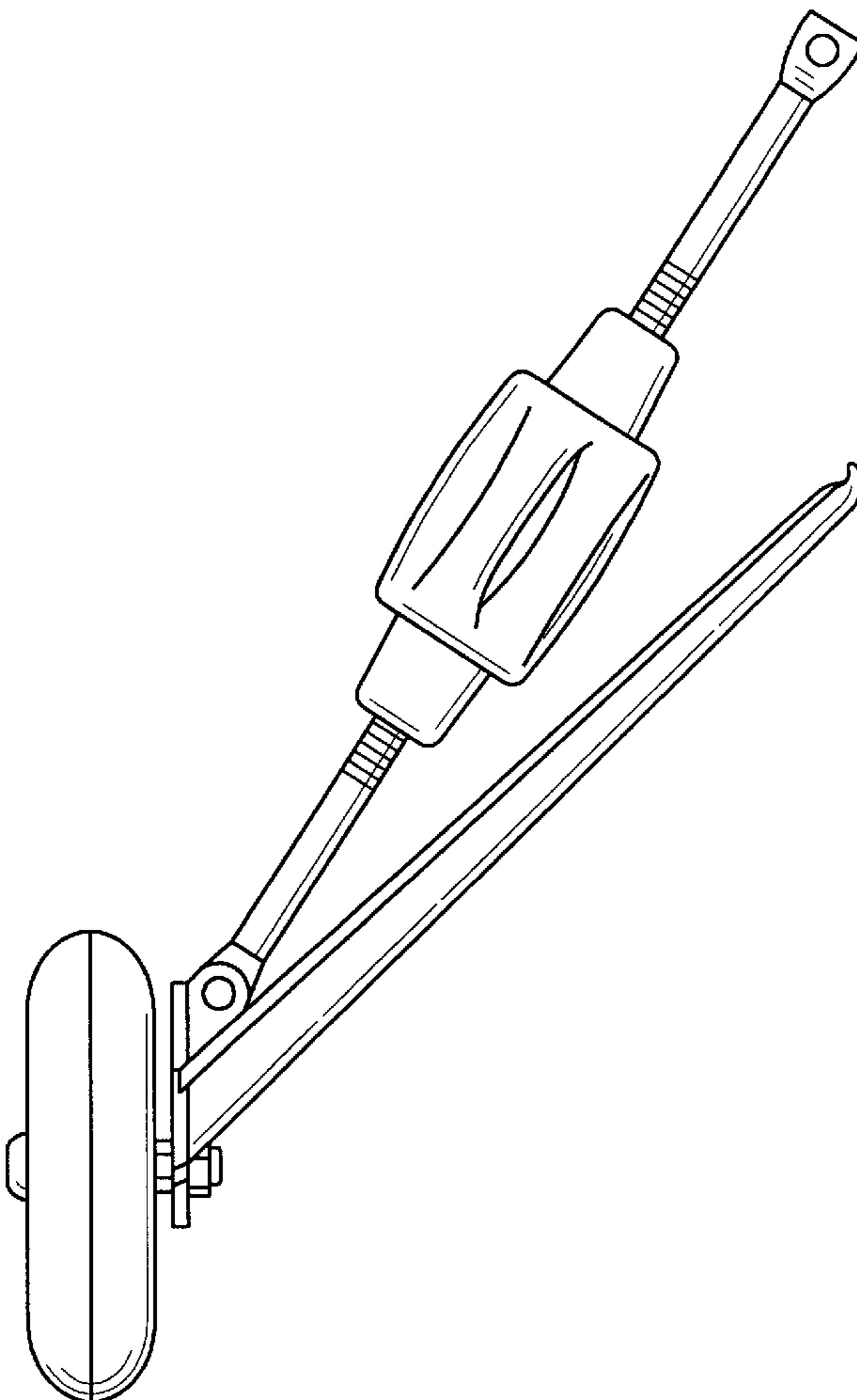
FIG. 1 is a perspective view of a bicycle training wheel assembly according to the invention;  
FIG. 2 is a rear view of the bicycle training wheel assembly;  
and,  
FIG. 3 is a top view of the bicycle training wheel assembly.

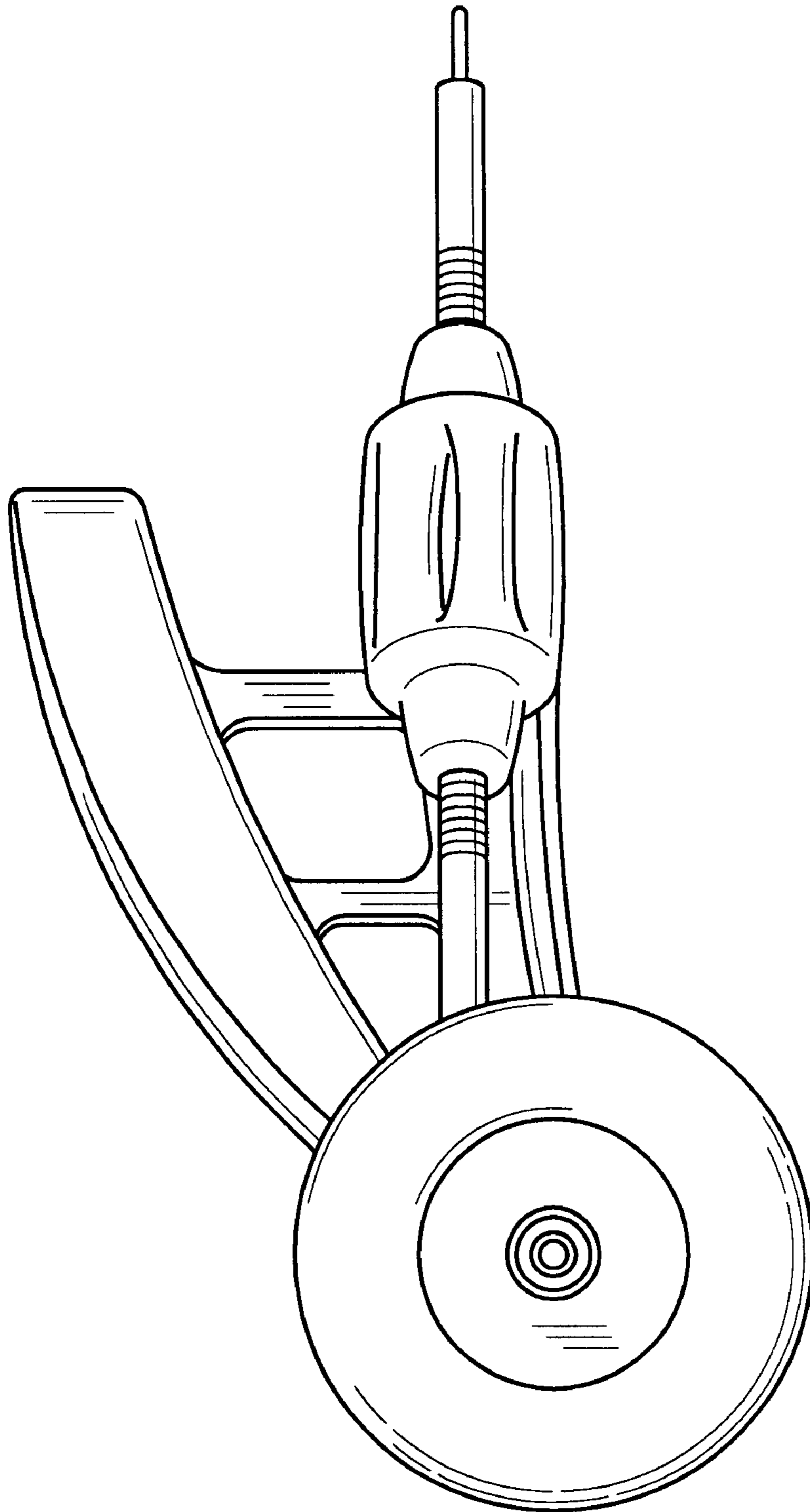
(56) **References Cited**

U.S. PATENT DOCUMENTS

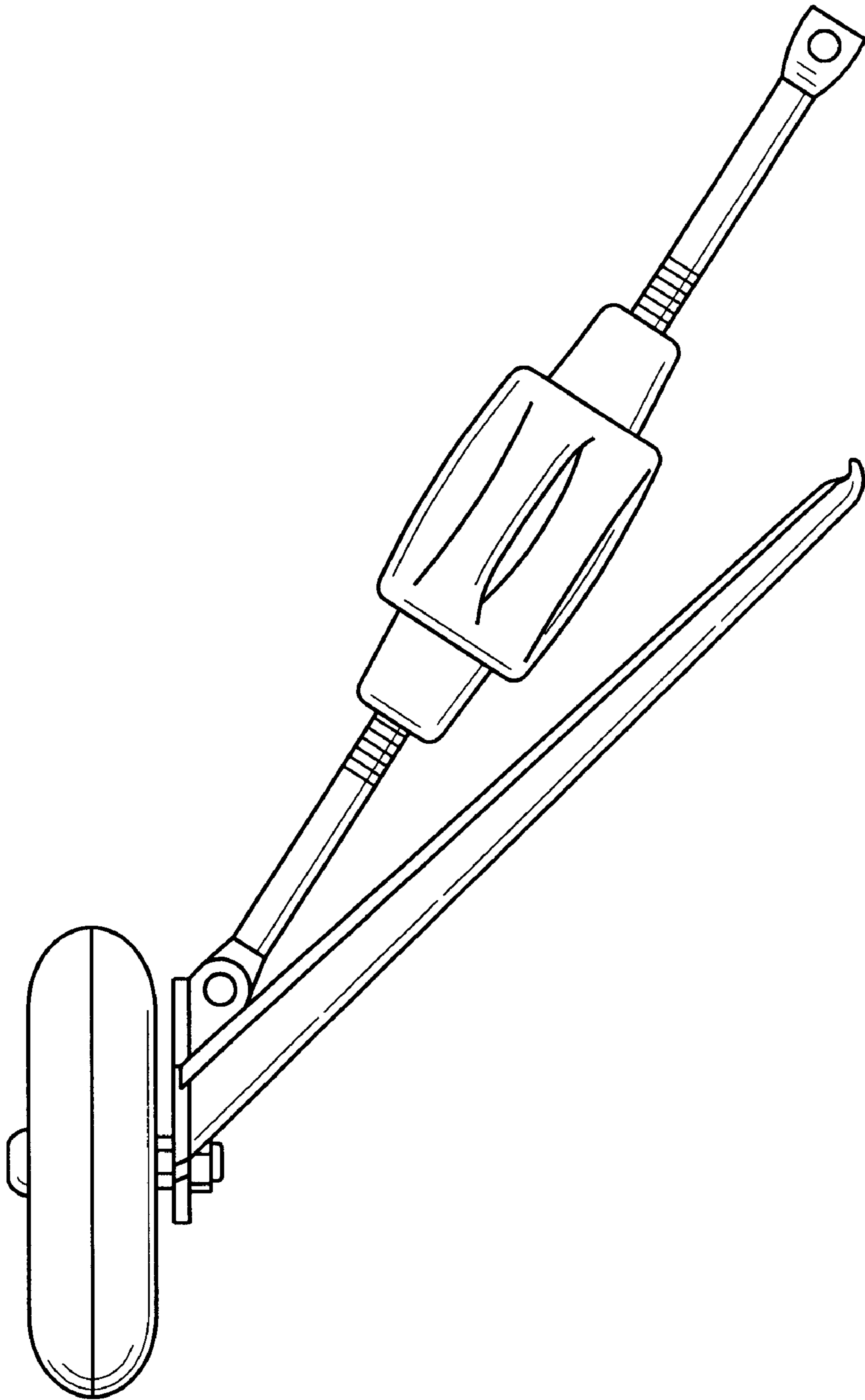
D167,697 S \* 9/1952 Kosack ..... D12/122

**1 Claim, 3 Drawing Sheets**

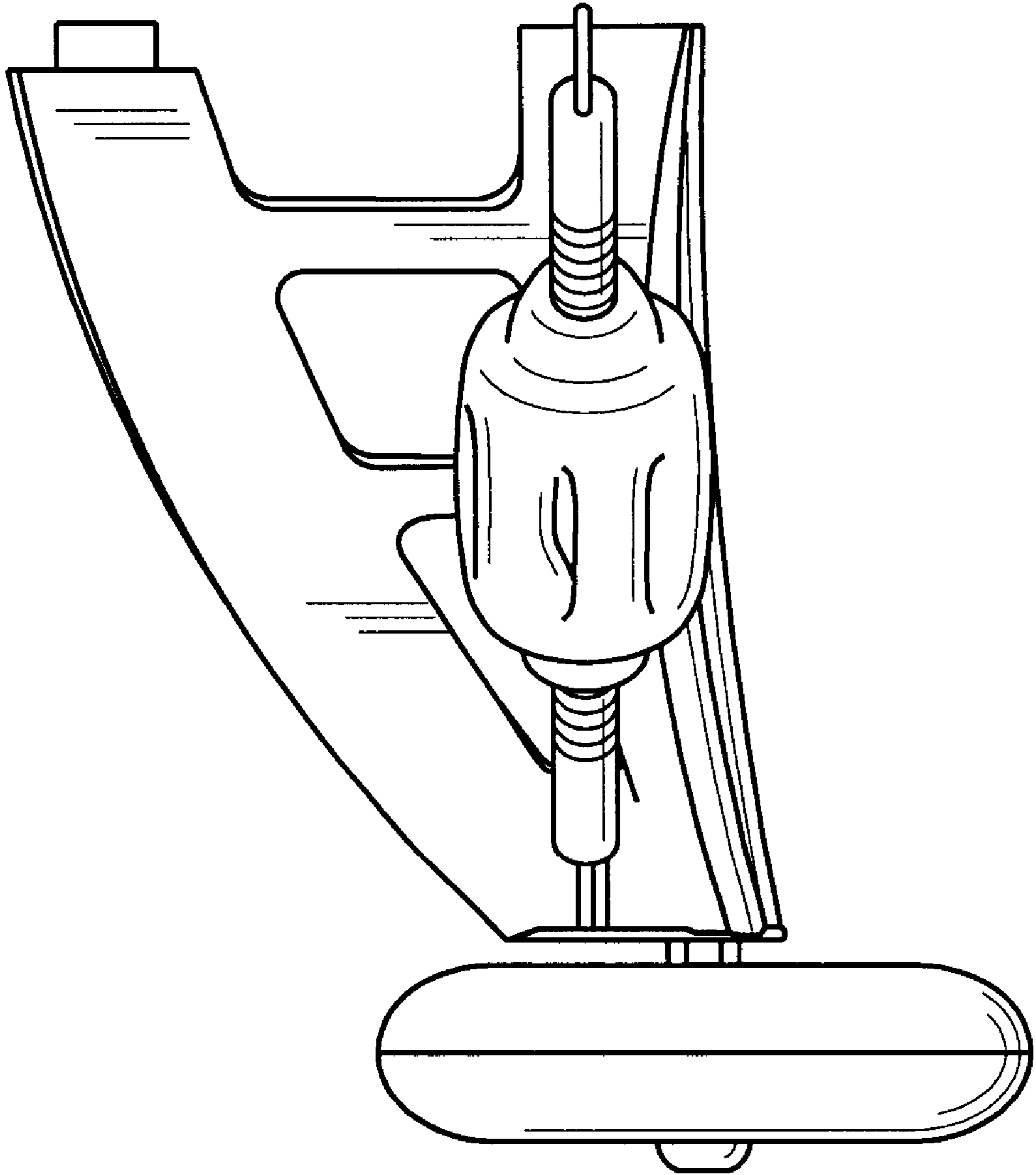




*FIG. 1*



*FIG. 2*



*FIG. 3*