



US00D488746S

(12) **United States Design Patent**
Rondeau et al.

(10) **Patent No.:** **US D488,746 S**
(45) **Date of Patent:** **** Apr. 20, 2004**

(54) **SEATING AND TIRE ARRANGEMENT FOR AN ALL TERRAIN VEHICLE**

6,508,511 B1 1/2003 Kolpin
2002/0179358 A1 12/2002 Bombardier
2003/0102694 A1 6/2003 Rondeau et al.

(75) Inventors: **Pierre Rondeau**, St-Denis-de-Brompton (CA); **Martin Portelance**, Sherbrooke (CA)

FOREIGN PATENT DOCUMENTS

WO 03/042026 A1 5/2003
WO 03/053769 A1 9/2003

(73) Assignee: **Bombardier Recreational Products Inc**, Saint-Bruno (CA)

* cited by examiner

(**) Term: **14 Years**

Primary Examiner—Alan P. Douglas

Assistant Examiner—Linda Brooks

(21) Appl. No.: **29/161,591**

(74) *Attorney, Agent, or Firm*—BRP Legal Services

(22) Filed: **Jun. 4, 2002**

(57) **CLAIM**

(51) **LOC (7) Cl.** **12-11**

The ornamental design for a seating and tire arrangement for an all terrain vehicle, as shown and described.

(52) **U.S. Cl.** **D12/107; D6/354**

DESCRIPTION

(58) **Field of Search** D12/87, 107; 180/225, 180/229, 233, 247, 291, 292, 311, 312, 315; D6/354; 297/195.1, 195.12-215.16, 243

FIG. 1 is a perspective illustration, from the front and left side, of a seating and tire arrangement of an all terrain vehicle according to our design;

FIG. 2 is a perspective illustration, from the rear and left side, of the seating and tire arrangement illustrated in FIG. 1;

(56) **References Cited**

U.S. PATENT DOCUMENTS

4,721,178 A 1/1988 Ito
5,036,939 A 8/1991 Johnson et al.
5,109,942 A 5/1992 Akimori et al.
5,314,239 A 5/1994 Edwards et al.
5,765,917 A 6/1998 Johnson
5,845,918 A 12/1998 Grinde et al.
D405,029 S * 2/1999 Deutschman D12/107
5,997,088 A 12/1999 Stark et al.
6,012,770 A 1/2000 Rubin
6,116,630 A 9/2000 Thomas
6,270,106 B1 8/2001 Maki et al.
6,296,073 B1 * 10/2001 Rioux et al. 180/292

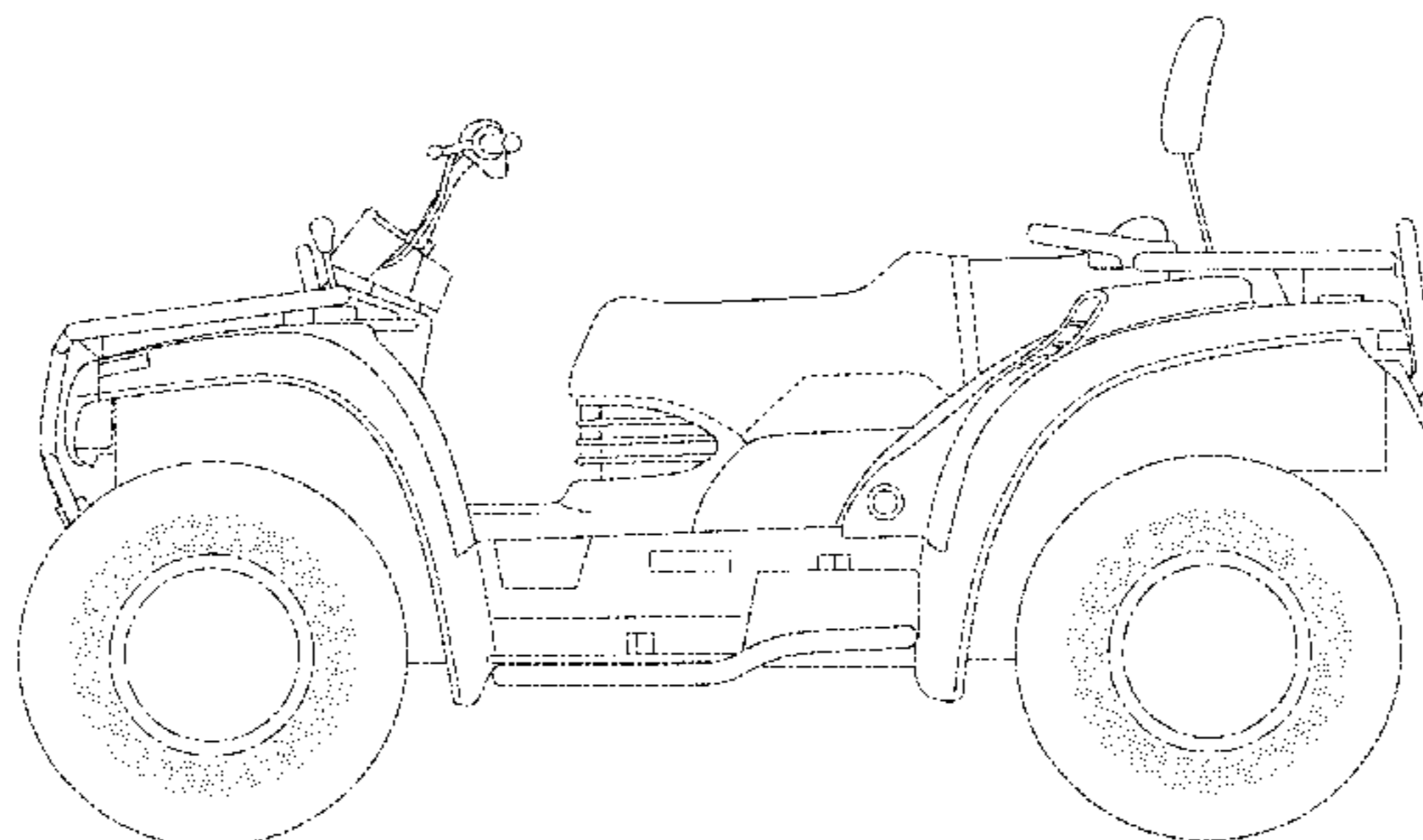
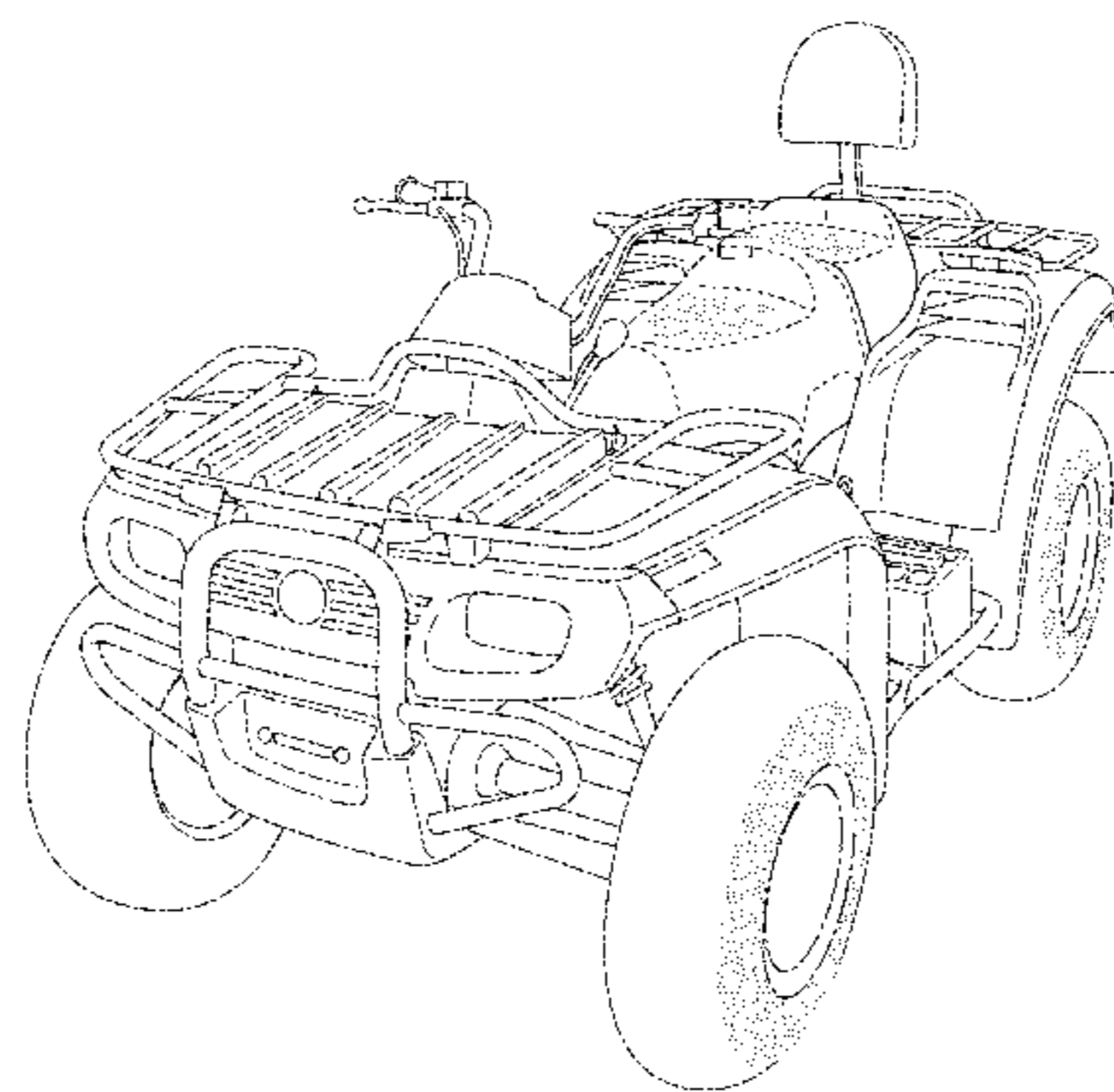
FIG. 3 is a left side elevational view of the seating and tire arrangement of FIG. 1;

FIG. 4 is a right side elevational view of the seating and tire arrangement of FIG. 1; and,

FIG. 5 is a top plan view of the seating and tire arrangement of FIG. 1.

In FIGS. 1-5, broken lines showing environment or structure are for illustrative purposes only and form no part of the claimed design.

1 Claim, 5 Drawing Sheets



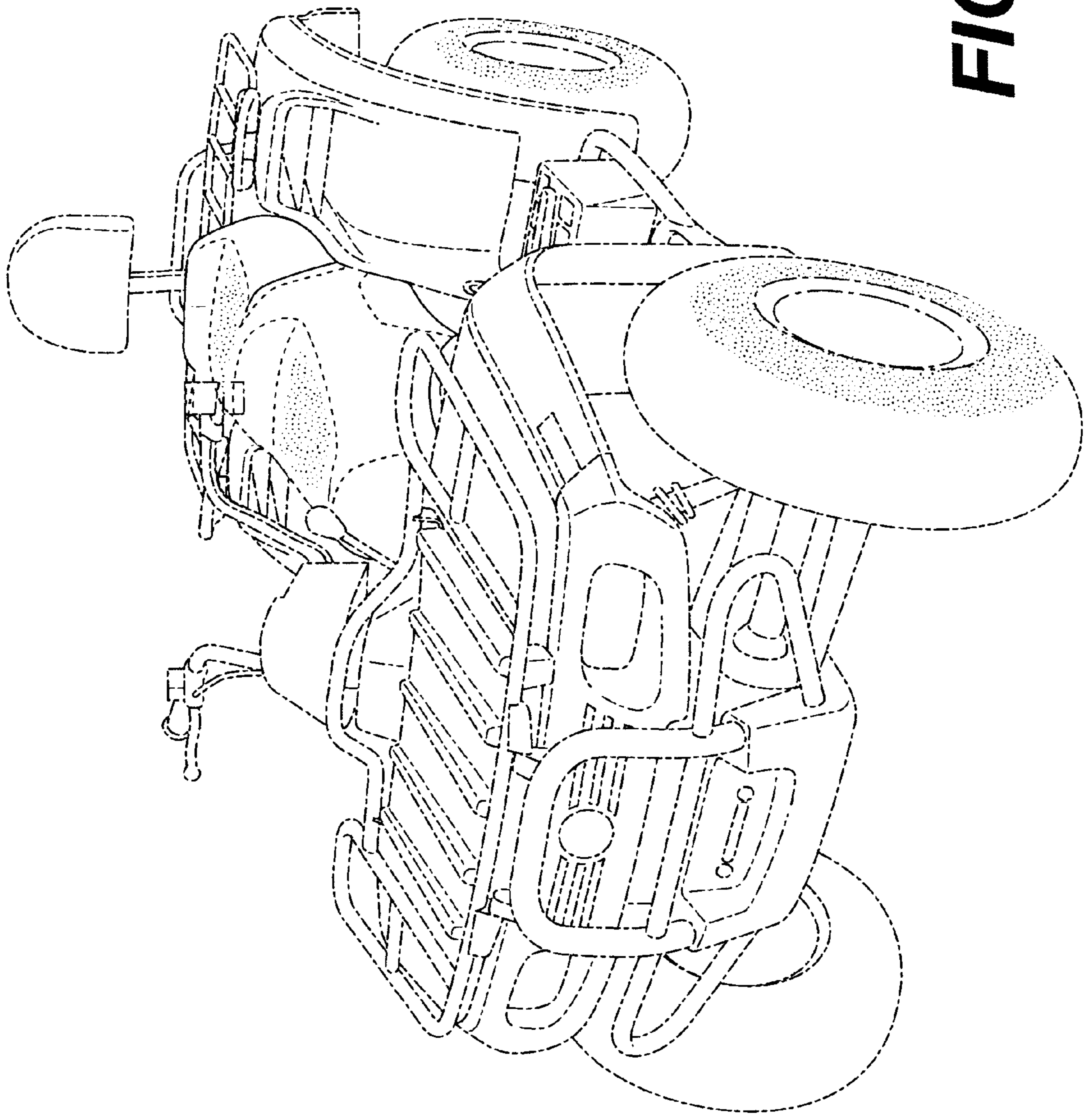


FIG. 1

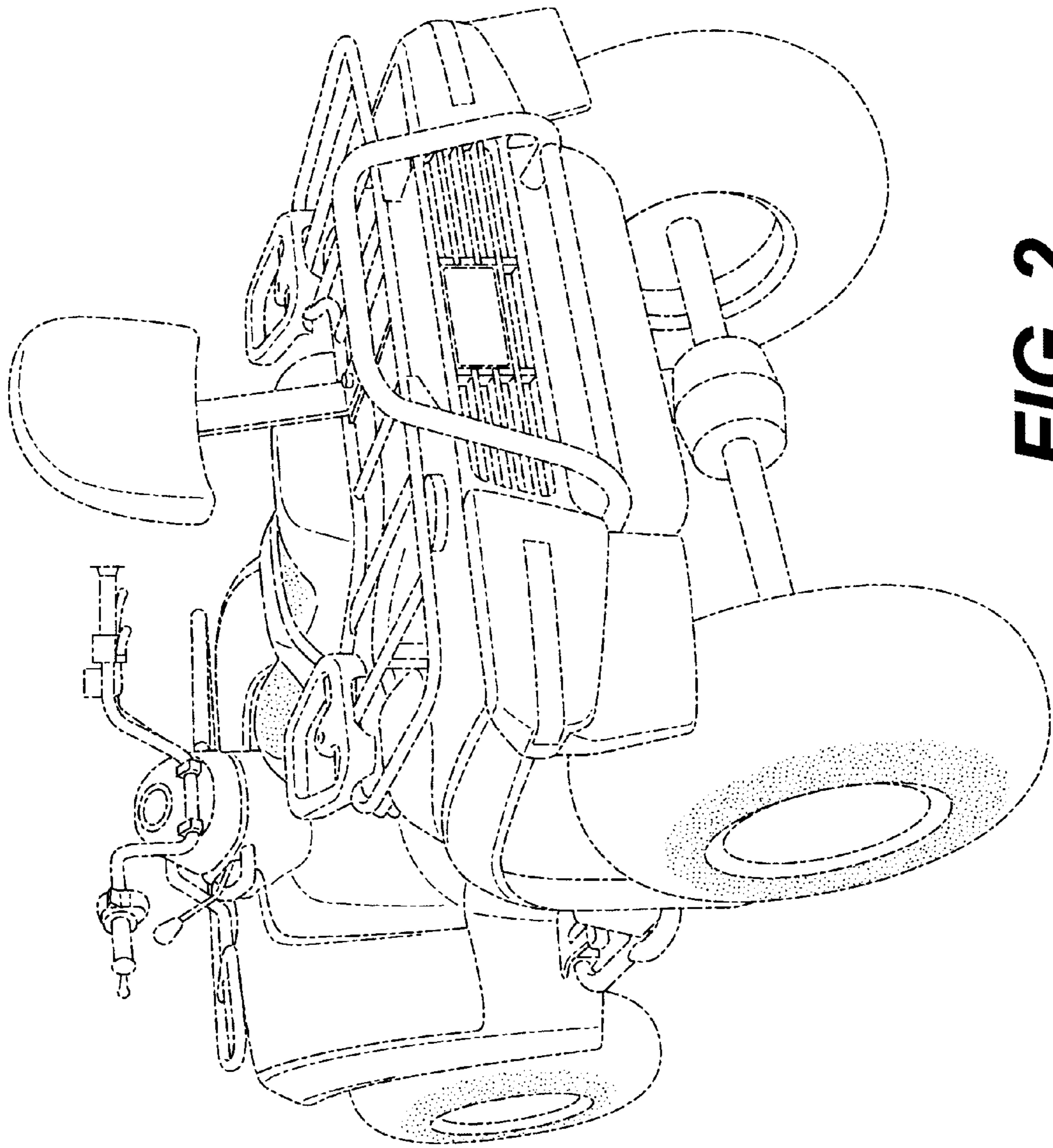


FIG. 2

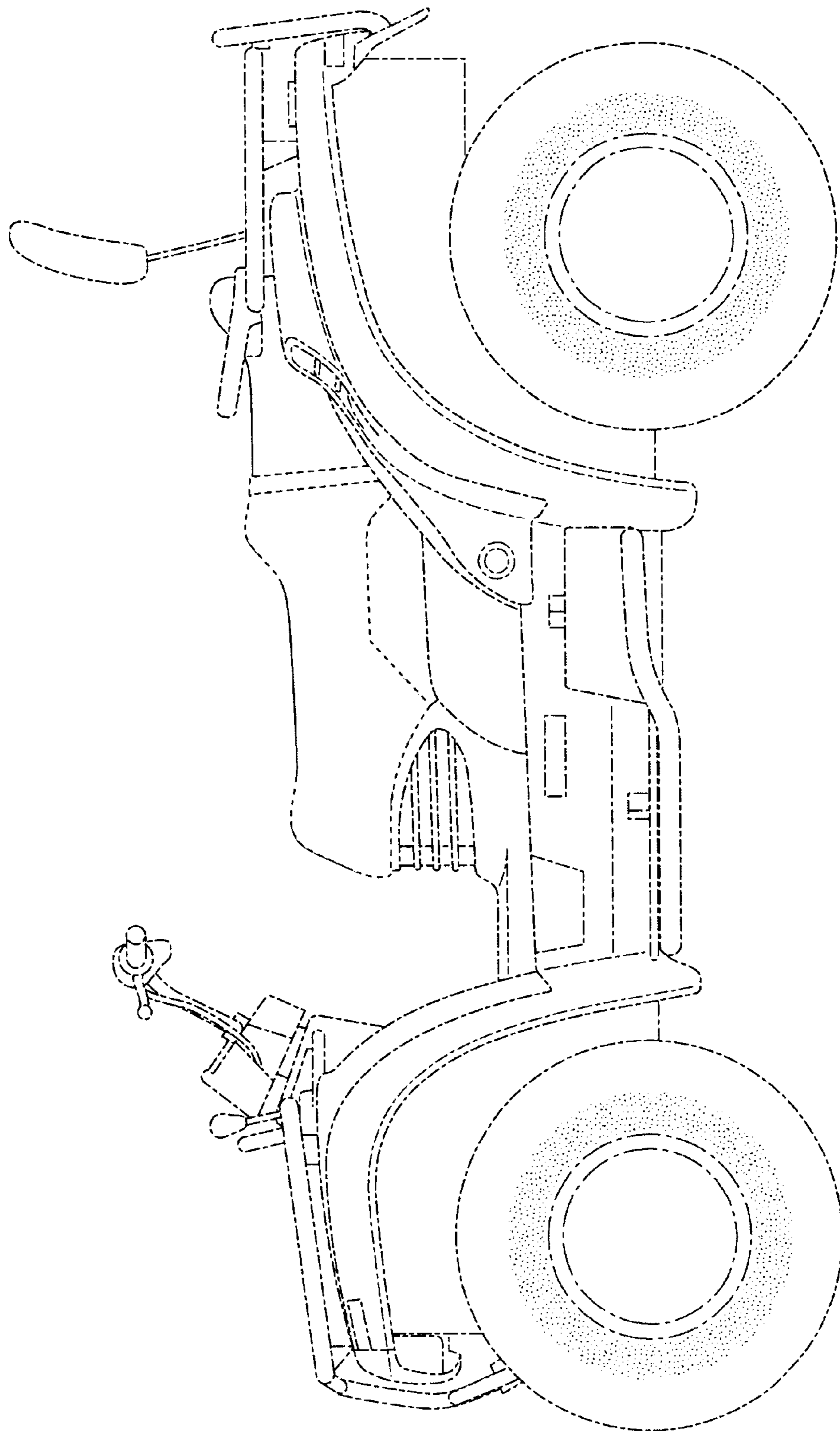


FIG. 3

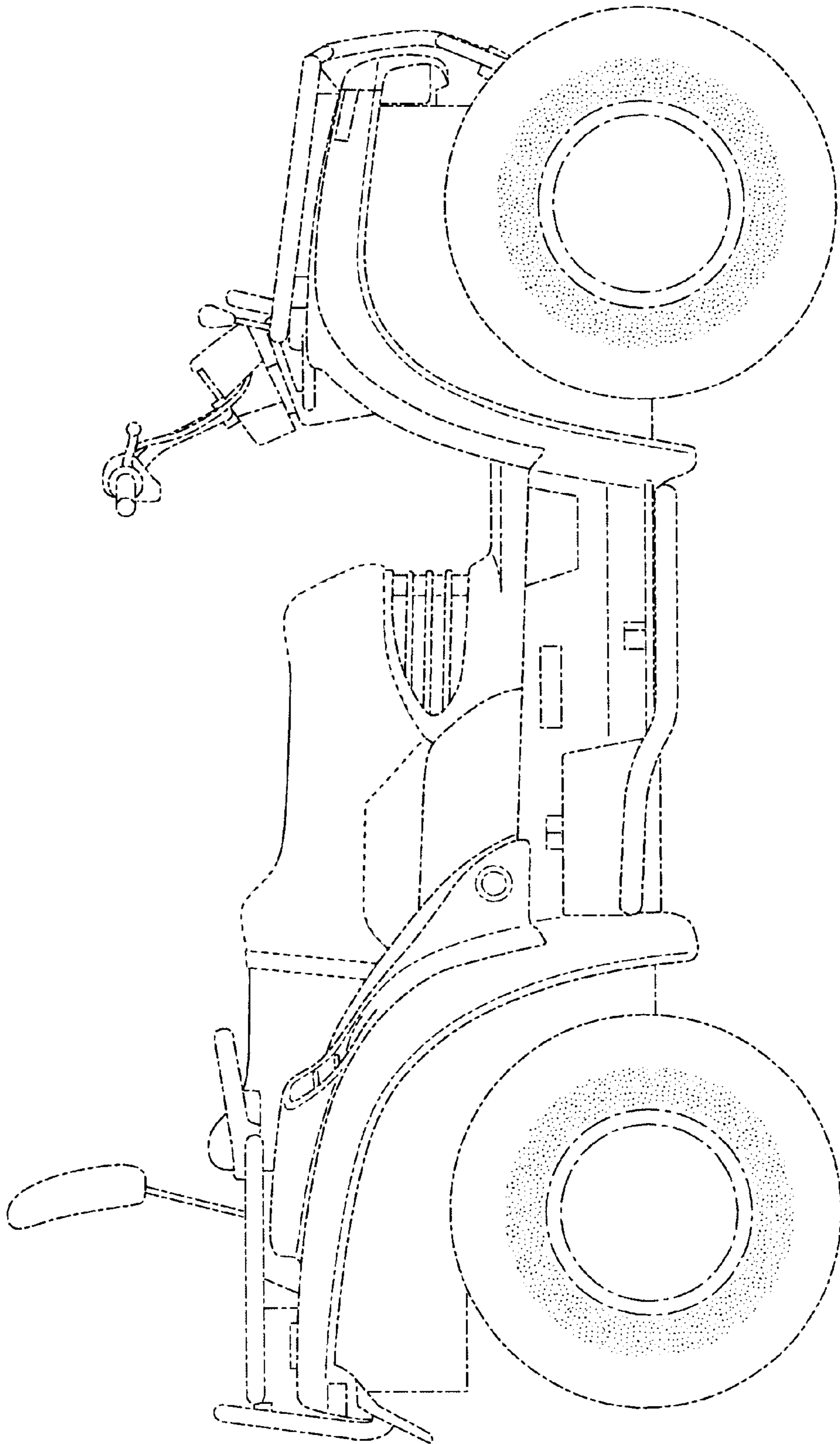


FIG. 4

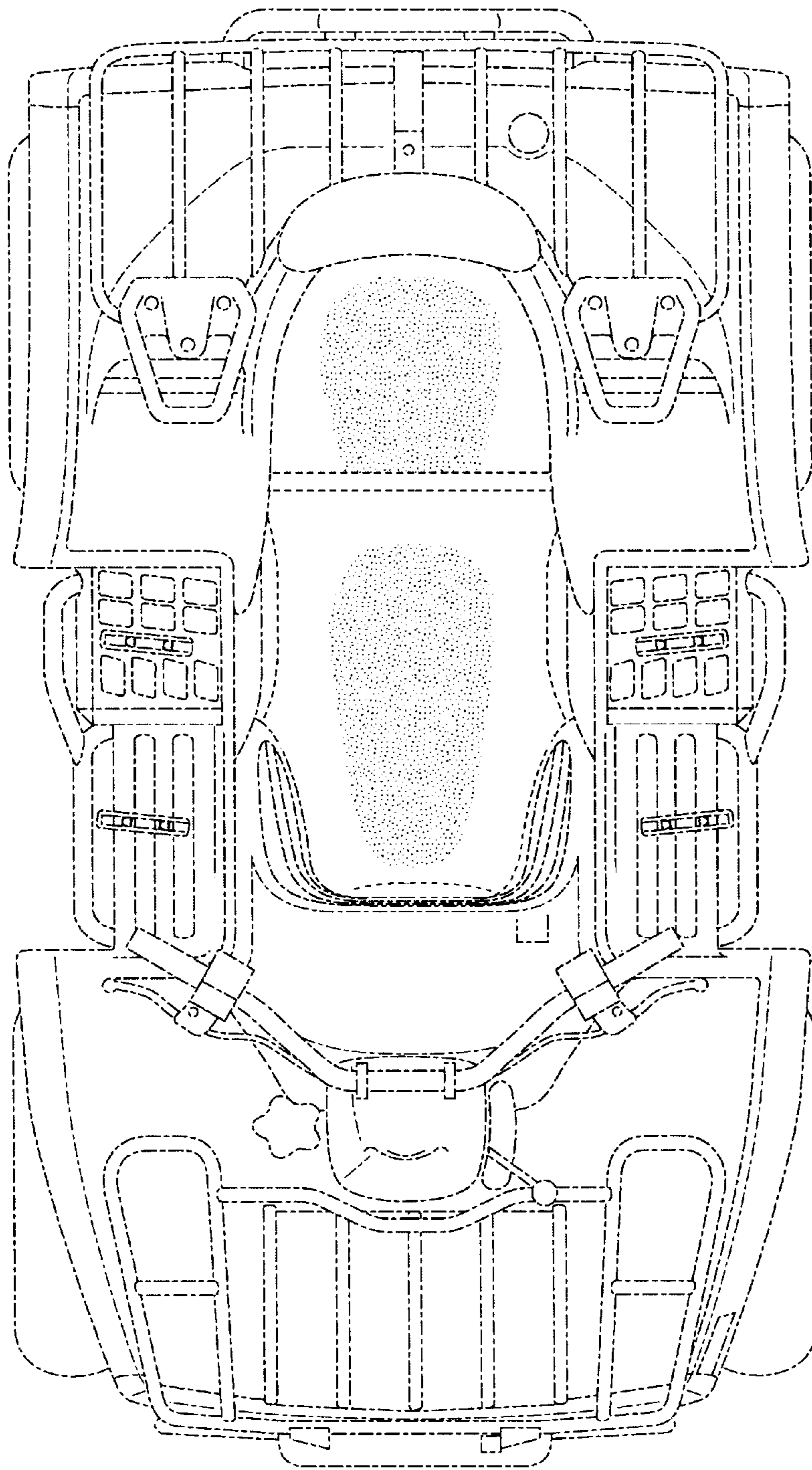


FIG. 5