



US00D488745S

(12) **United States Design Patent**  
**Rondeau et al.**

(10) **Patent No.:** **US D488,745 S**  
(45) **Date of Patent:** **\*\* Apr. 20, 2004**

(54) **PORTION OF ALL TERRAIN VEHICLE BODY AND SEAT**  
(75) Inventors: **Pierre Rondeau**, St-Denis-de-Brompton (CA); **Martin Portelance**, Sherbrooke (CA); **Martin Aubé**, St. Bruno-de-Montarville (CA)

D424,982 S 5/2000 Deutschman  
6,167,774 B1 1/2001 Gagnon et al.  
6,257,081 B1 7/2001 Gagnon et al.  
6,296,073 B1 10/2001 Rioux et al.

*Primary Examiner*—Alan P. Douglas  
*Assistant Examiner*—Linda Brooks  
(74) *Attorney, Agent, or Firm*—BRP Legal Services

(73) Assignee: **Bombardier Recreational Products Inc.**, Montreal (CA)  
(\*\*) Term: **14 Years**

(57) **CLAIM**  
The ornamental design for a portion of all terrain vehicle body and seat, as shown and described.

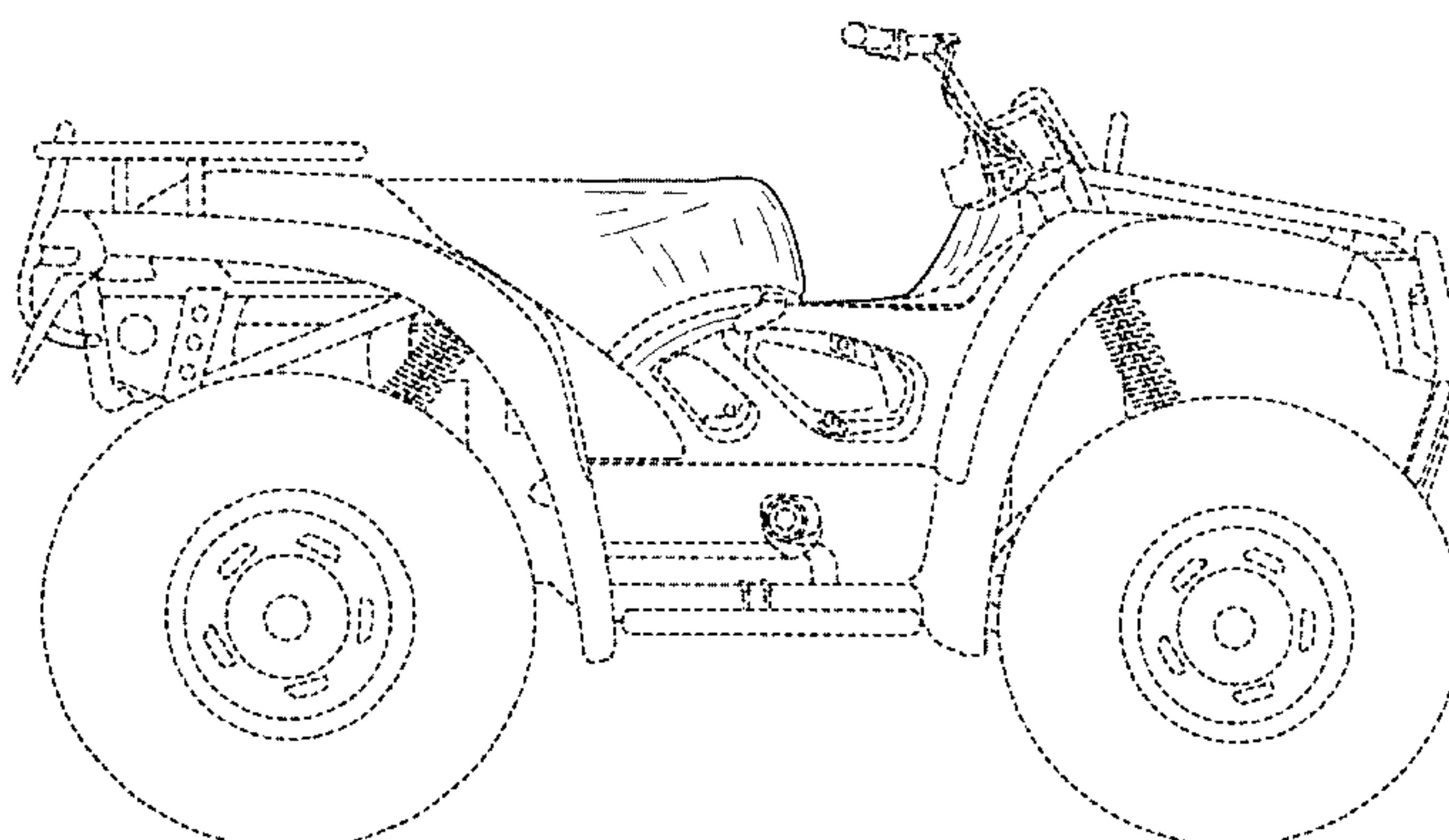
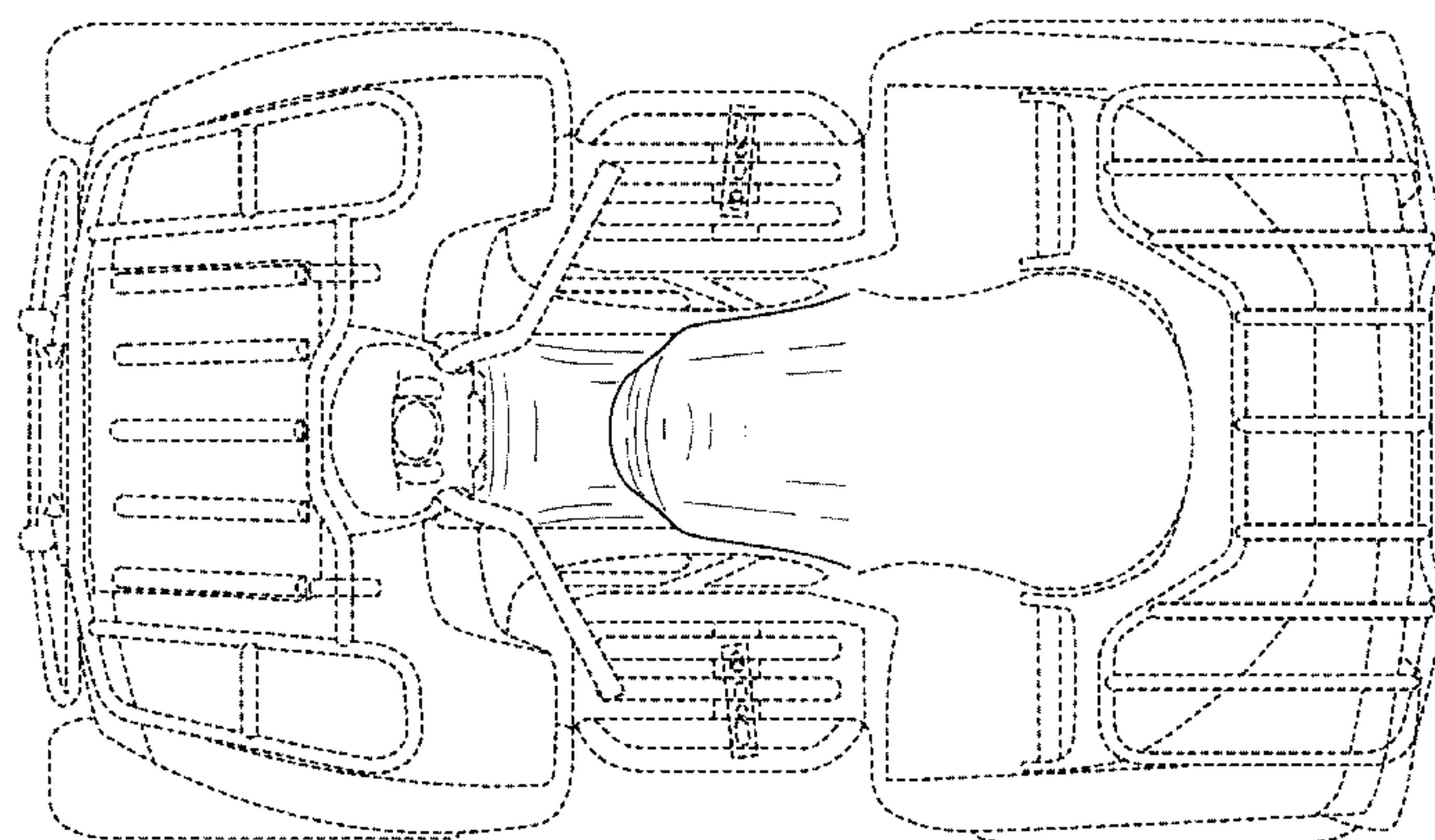
(21) Appl. No.: **29/158,831**  
(22) Filed: **Feb. 26, 2002**  
(51) **LOC (7) Cl.** ..... **12-11**  
(52) **U.S. Cl.** ..... **D12/107; D6/354**  
(58) **Field of Search** ..... D12/87, 107; 180/225, 180/229, 223, 247, 291, 292, 311, 312, 315; D6/354; 297/195.1, 195.11, 201-205, 217.1

**DESCRIPTION**

FIG. 1 is a top plan view of a portion of an all terrain vehicle body and seat according to a preferred embodiment of the present invention;  
FIG. 2 is a left side view thereof; and,  
FIG. 3 is a right side view thereof.  
The portions of the claimed all terrain vehicle which are not shown in the drawing form no part of the claimed design. The broken lines immediately adjacent the shaded areas represent the boundaries of the claimed design while the other broken lines which show environment or structure are for illustrative purposes only; the broken lines form no part of the claimed design.

(56) **References Cited**  
**U.S. PATENT DOCUMENTS**  
D405,029 S 2/1999 Deutschman  
D415,448 S 10/1999 Deutschman

**1 Claim, 3 Drawing Sheets**



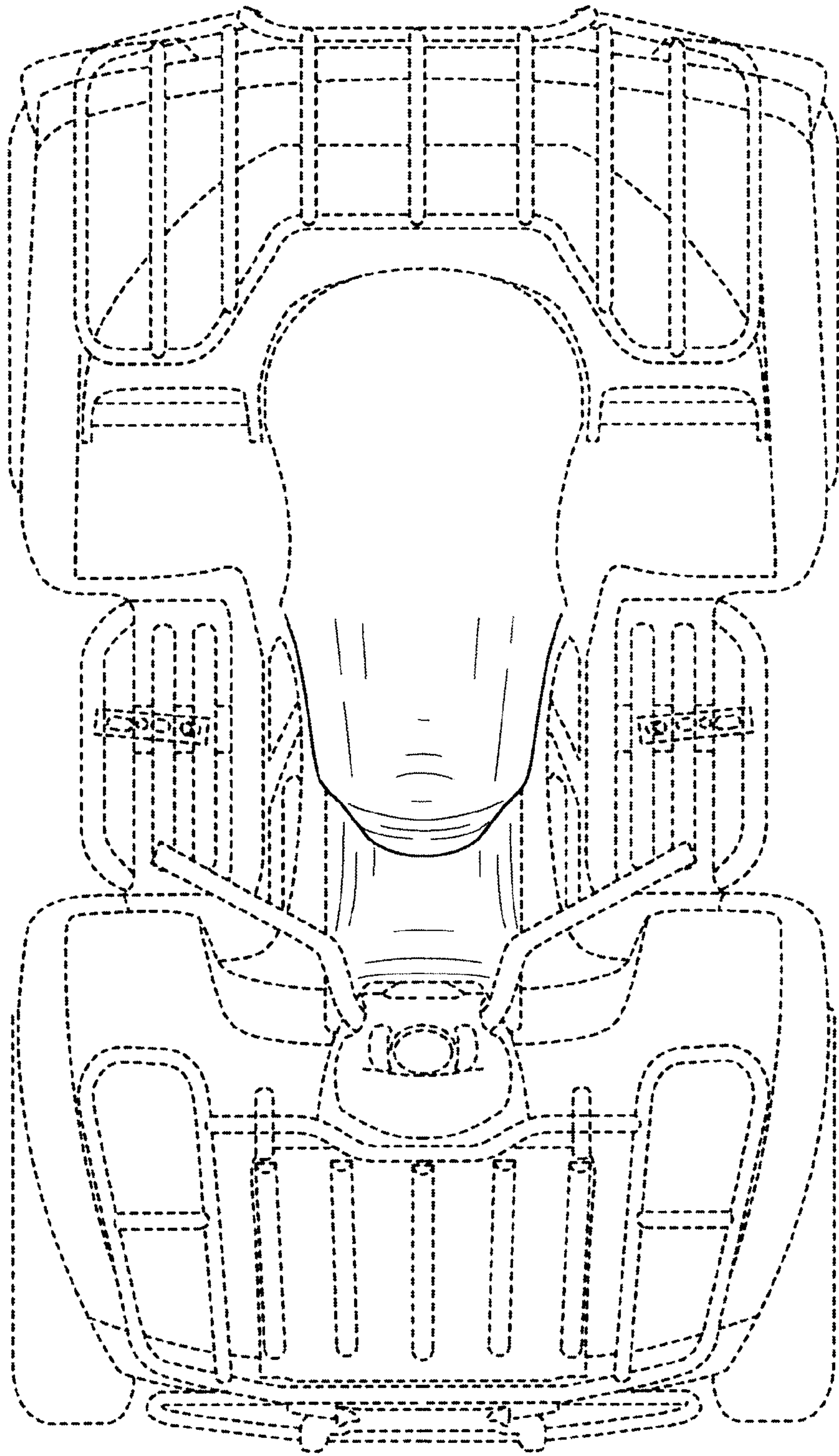


FIG. 1

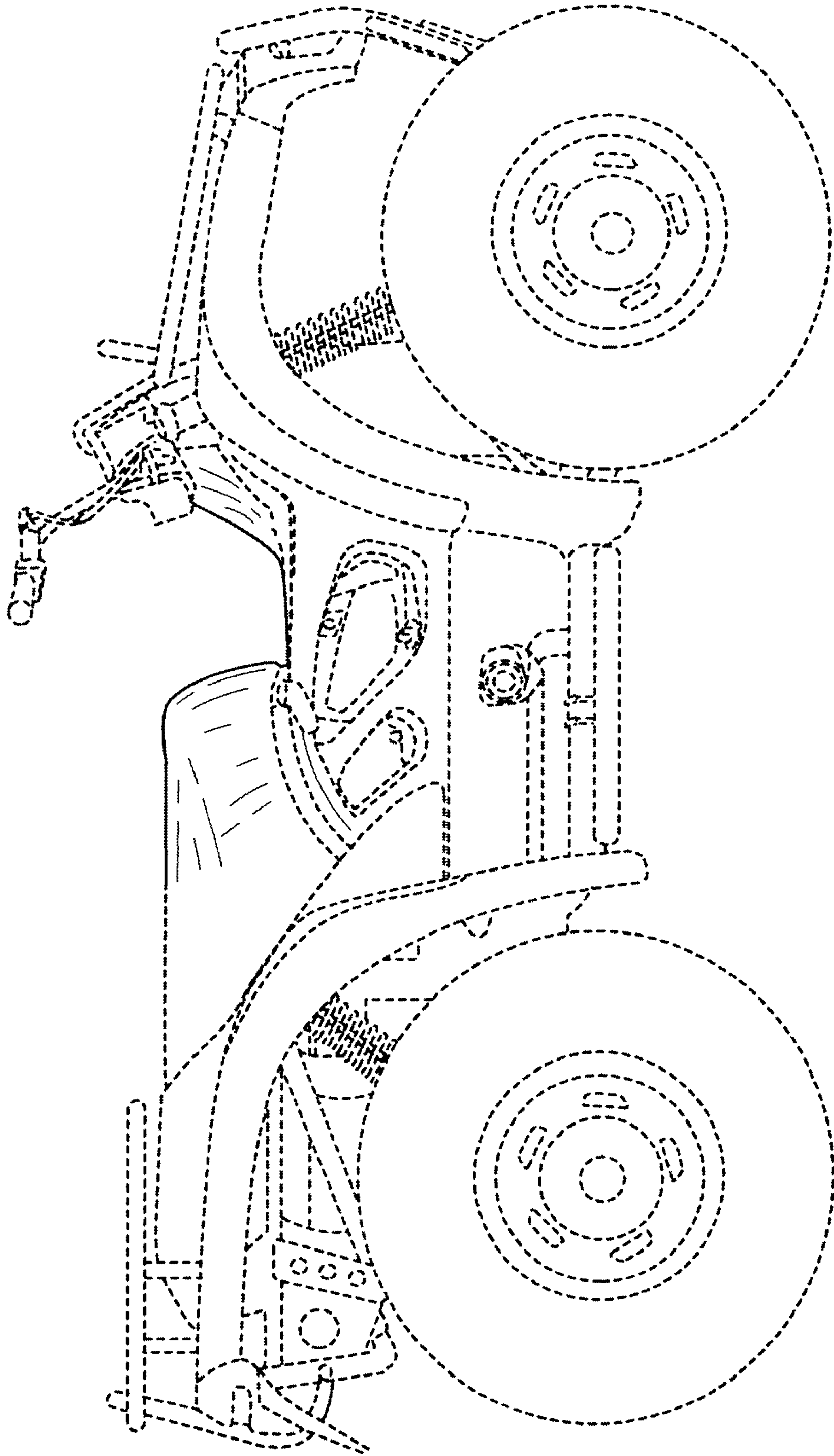


FIG. 2



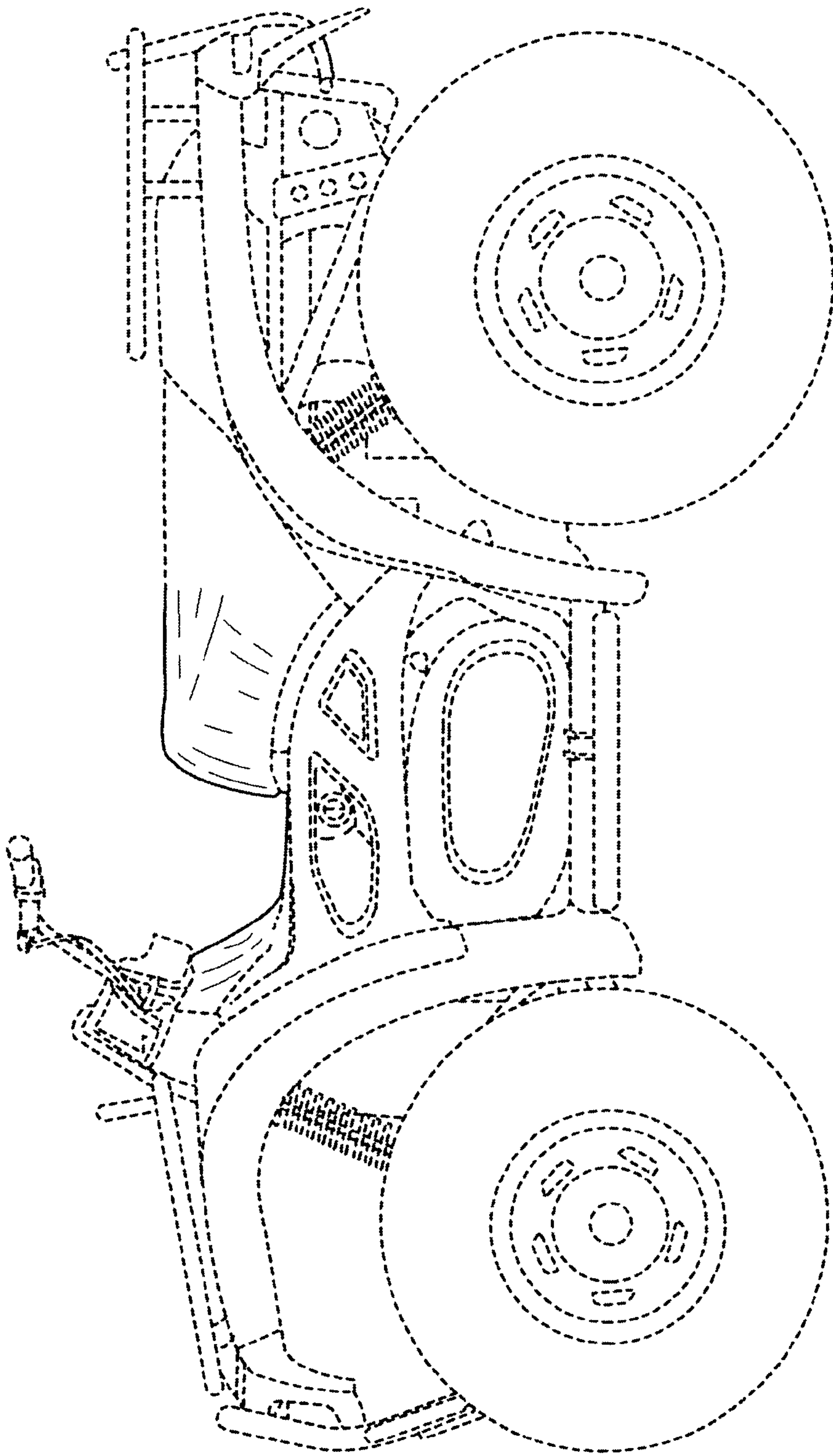


FIG. 3