



US00D488739S

(12) **United States Design Patent**  
**Pachachi**

(10) **Patent No.:** **US D488,739 S**

(45) **Date of Patent:** **\*\* Apr. 20, 2004**

(54) **PENDANT**

(75) Inventor: **Reema Pachachi**, London (GB)

(73) Assignee: **De Beers LV Ltd.**, London (GB)

(\*\*) Term: **14 Years**

(21) Appl. No.: **29/170,748**

(22) Filed: **Nov. 12, 2002**

(51) **LOC (7) Cl.** ..... **11-01**

(52) **U.S. Cl.** ..... **D11/81; D11/56**

(58) **Field of Search** ..... **D11/1-3, 6, 40,**  
**D11/43-50, 54, 56-58, 61, 65-66, 79-83,**  
**95-103, 107, 110, 116; 63/13, 14.1, 18,**  
**20, 22**

(56) **References Cited**

**U.S. PATENT DOCUMENTS**

D159,528 S	*	8/1950	Philippe	.....	D11/56
D169,193 S	*	3/1953	Philippe	.....	D11/56
D169,331 S	*	4/1953	Philippe	.....	D11/56
D261,742 S	*	11/1981	McTighe et al.	.....	D11/56
D265,008 S	*	6/1982	O'Bassey	.....	D5/65
D339,311 S	*	9/1993	Ambar	.....	D11/81

D369,988 S	*	5/1996	Jacoby	.....	D11/56
D381,286 S	*	7/1997	Udko	.....	D11/81

\* cited by examiner

*Primary Examiner*—Ralf Seifert

(74) *Attorney, Agent, or Firm*—Clifford W. Browning;  
Woodard, Emhardt, Moriarty, McNett & Henry LLP

(57) **CLAIM**

The ornamental design for a pendant, as shown and described.

**DESCRIPTION**

FIG. 1 is a perspective view of a pendant, showing my new design.

FIG. 2 is a front view of FIG. 1.

FIG. 3 is a top view of FIG. 1.

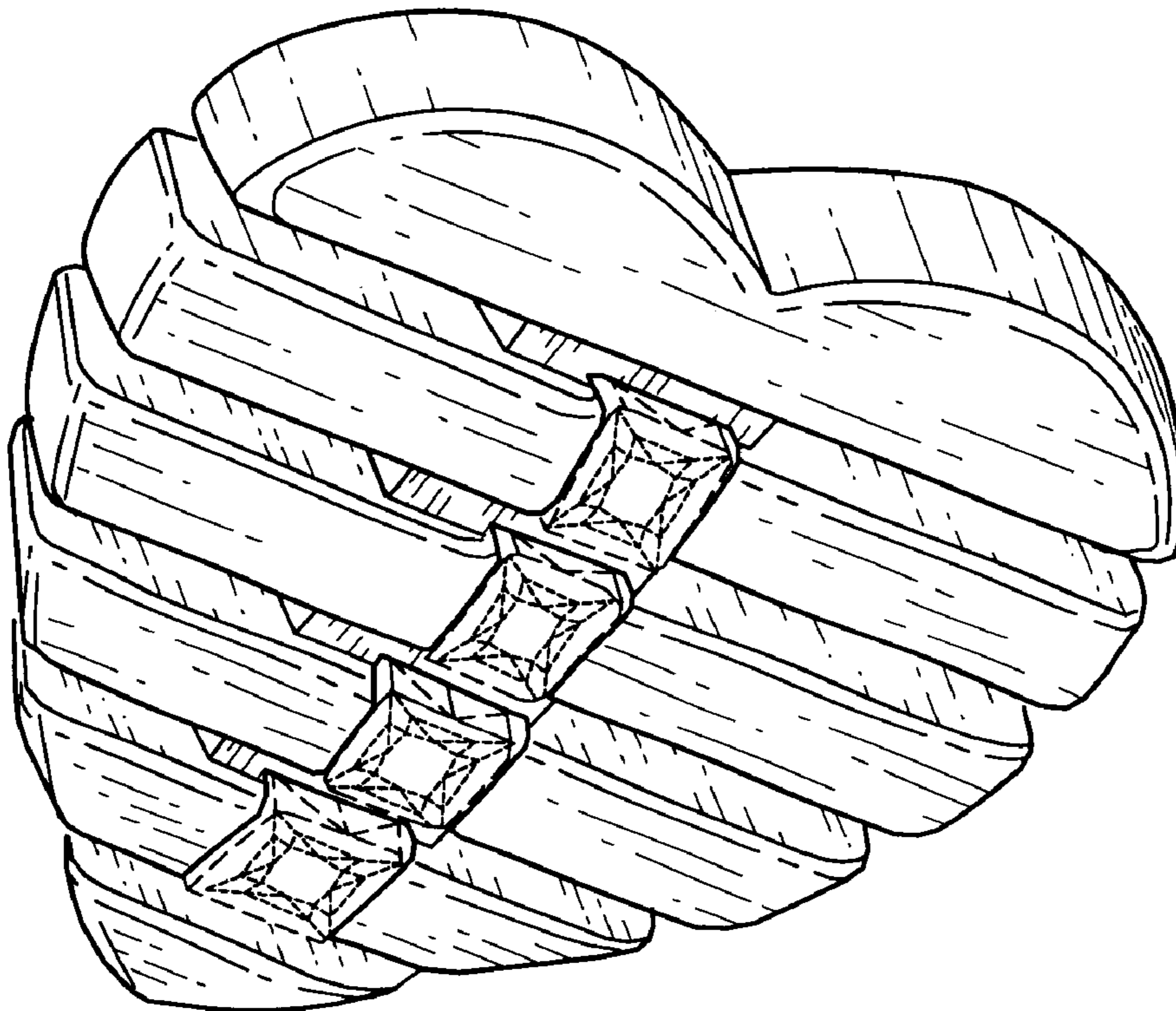
FIG. 4 is a right side view of FIG. 1, the left side view being a mirror image thereof.

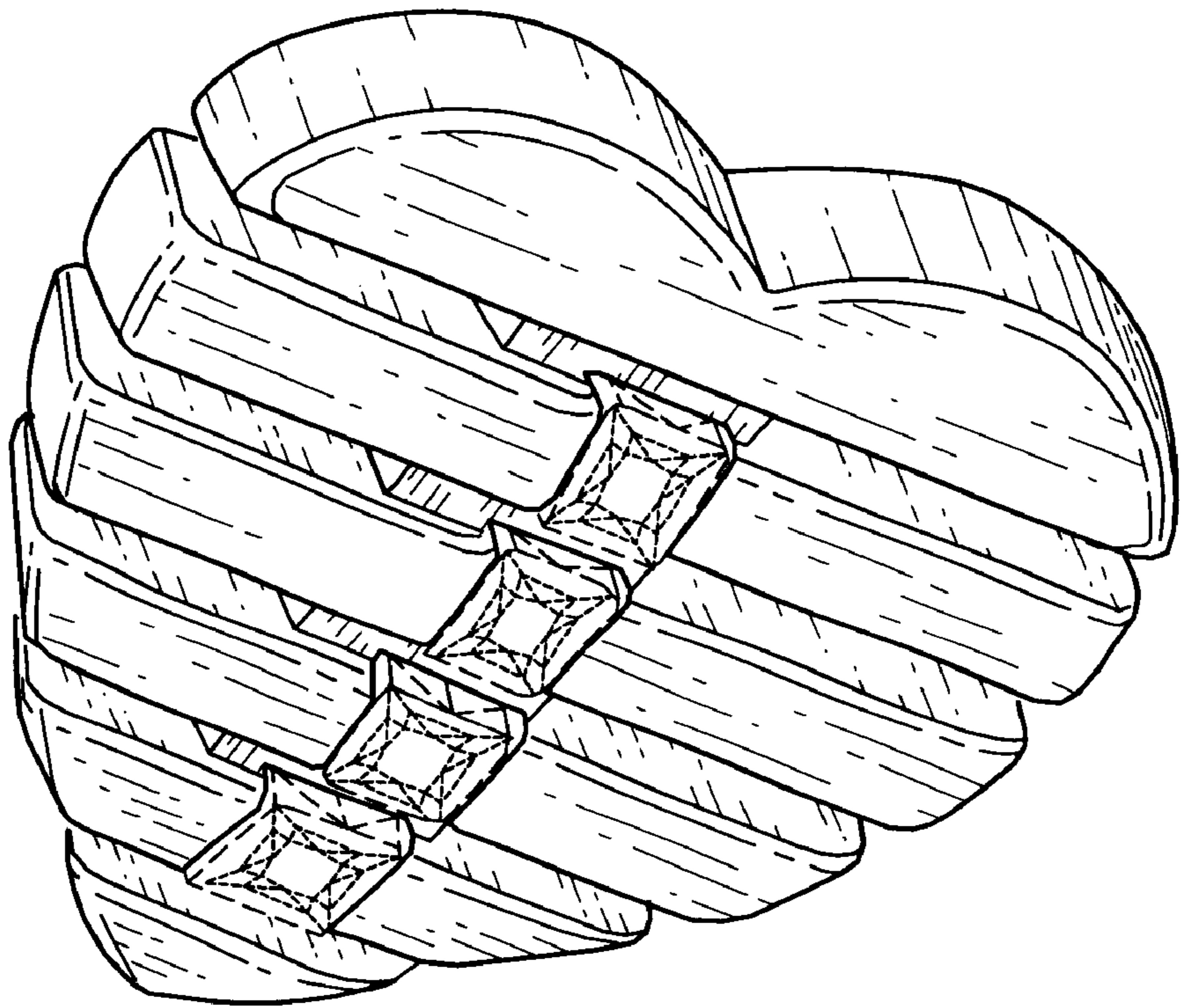
FIG. 5 is a rear view of FIG. 1; and

FIG. 6 is a bottom view of FIG. 1.

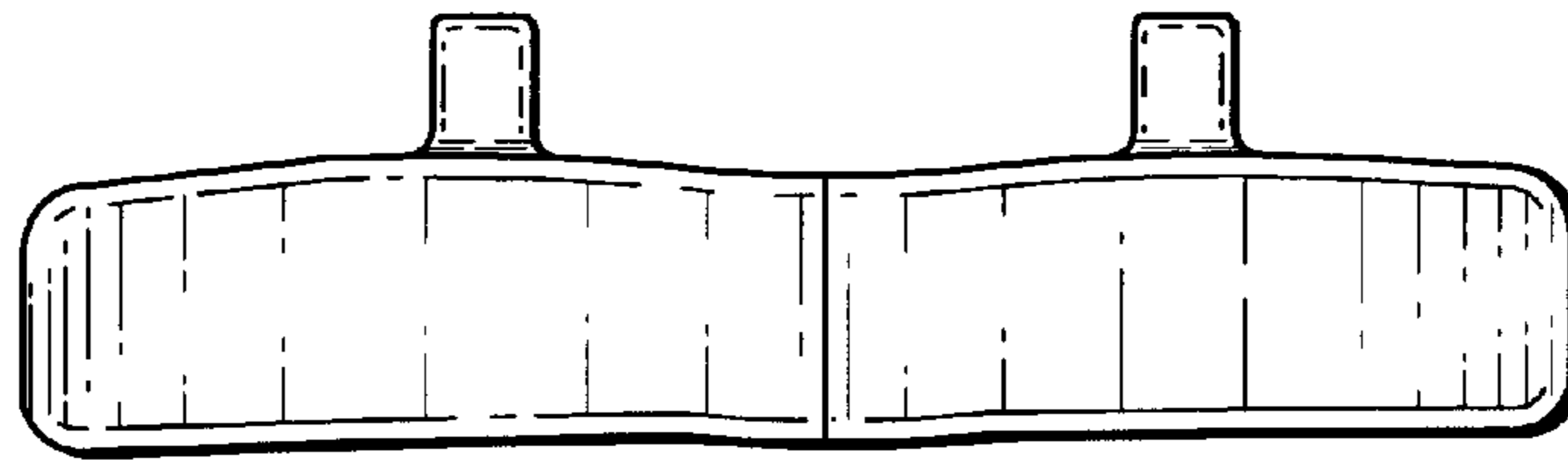
The dotted lines show environment only and do not form a part of the claimed design.

**1 Claim, 4 Drawing Sheets**

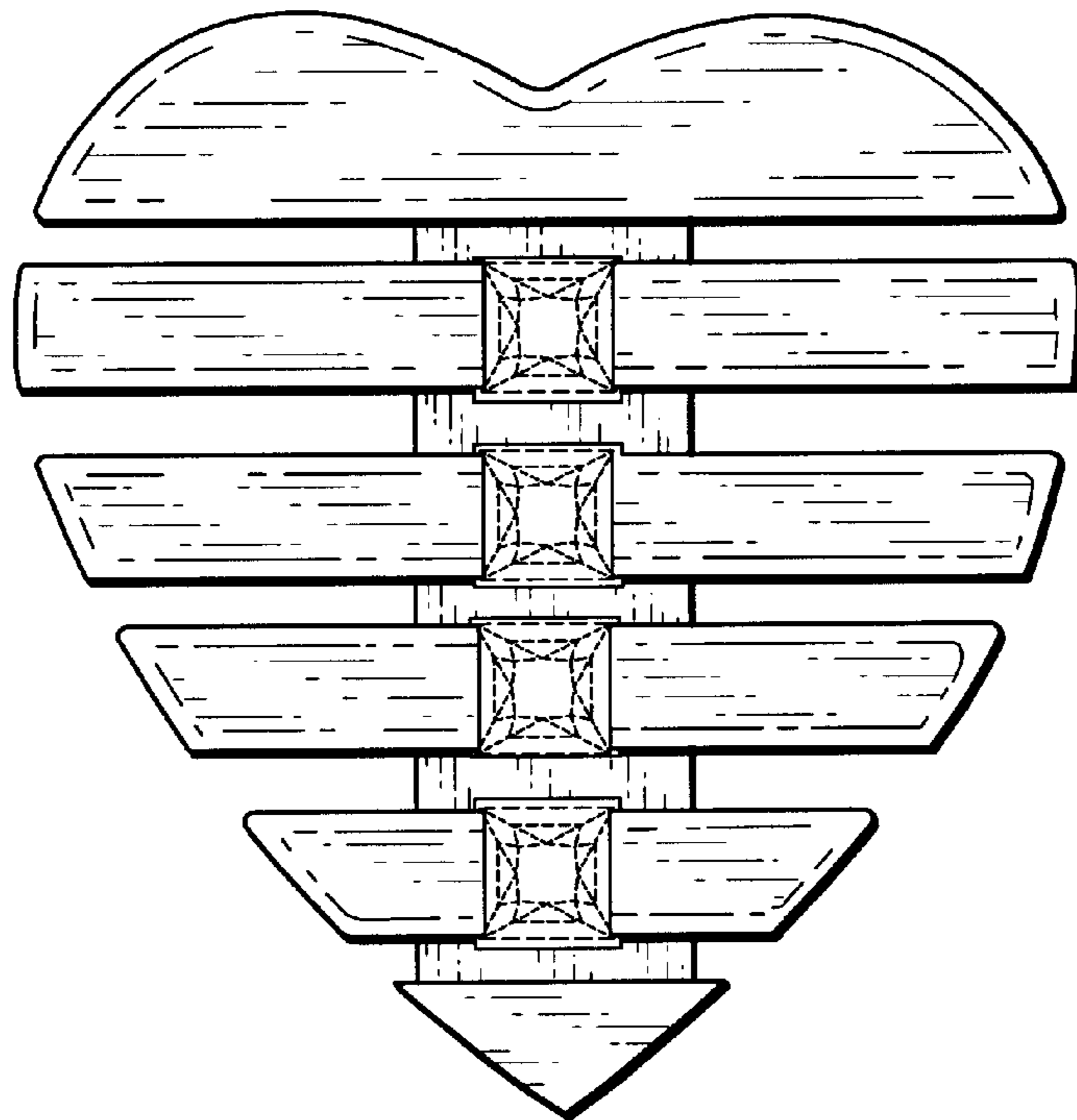




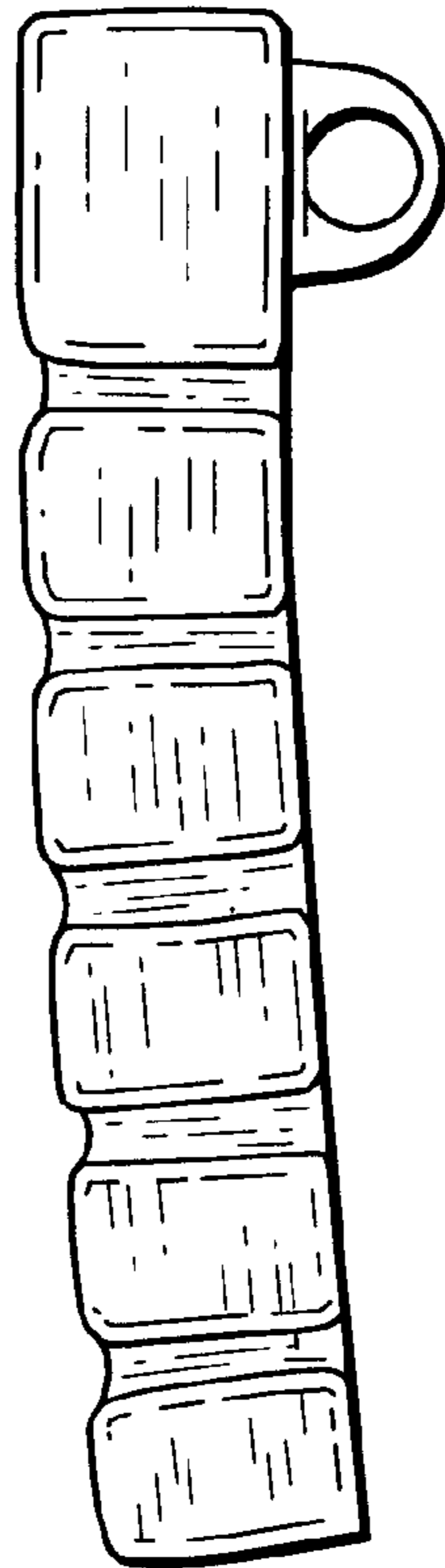
**Fig. 1**



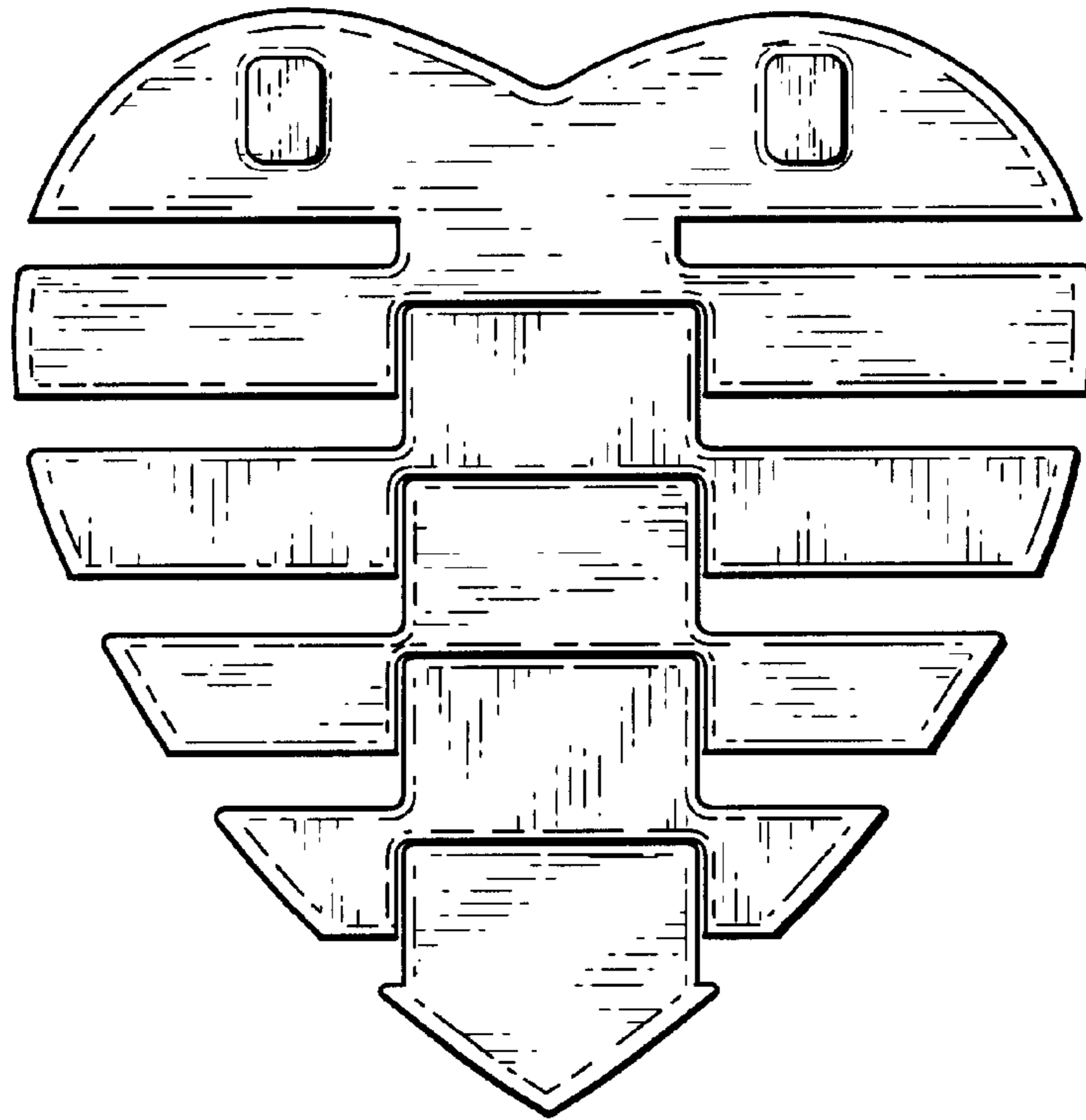
**Fig. 3**



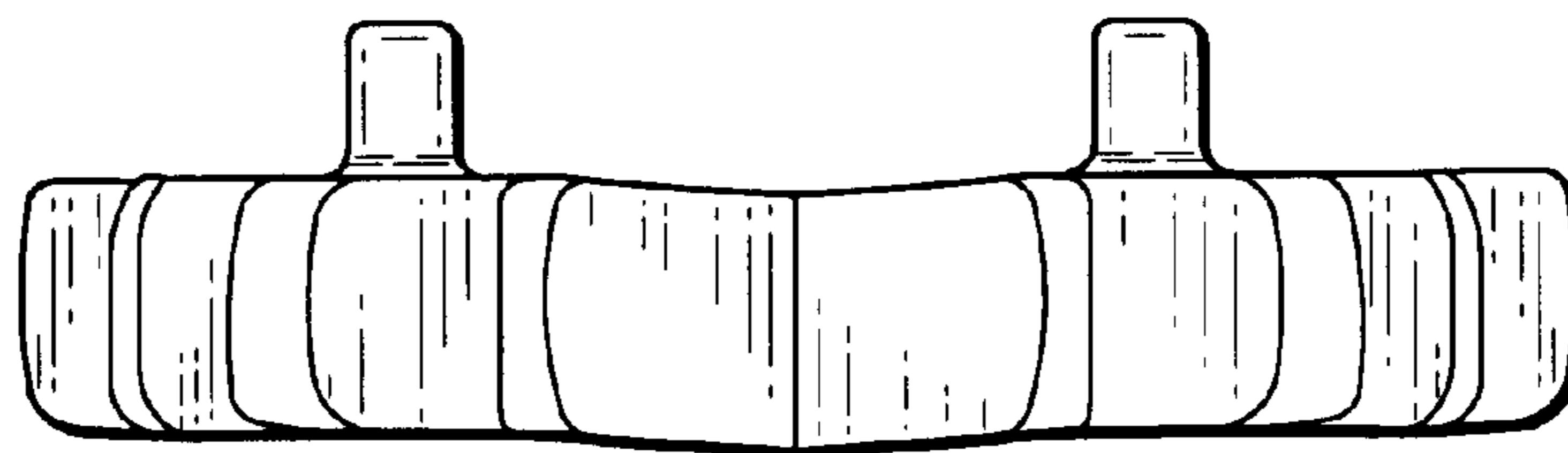
**Fig. 2**



**Fig. 4**



**Fig. 5**



**Fig. 6**