



US00D488737S

(12) **United States Design Patent**  
**Rhodes**

(10) **Patent No.:** **US D488,737 S**

(45) **Date of Patent:** **\*\* Apr. 20, 2004**

(54) **RING**

2,605,032 A \* 7/1952 Hunt et al. .... 63/15  
5,048,186 A \* 9/1991 Lamb et al. .... 63/15

(75) Inventor: **Lisa Rhodes**, 165 Kings Hwy.,  
Orangeburg, NY (US) 10962

**OTHER PUBLICATIONS**

(73) Assignee: **Lisa Rhodes**, Orangeburg, NY (US)

Platinum Guild International USA; Platinum Edition VI; p.  
138; Ring center of page.\*

(\*\*) Term: **14 Years**

\* cited by examiner

(21) Appl. No.: **29/145,176**

*Primary Examiner*—Cathy Anne MacCormac

(22) Filed: **Jul. 17, 2001**

(57) **CLAIM**

(51) **LOC (7) Cl.** ..... **11-01**

The ornamental design for a ring, as shown.

(52) **U.S. Cl.** ..... **D11/26**

**DESCRIPTION**

(58) **Field of Search** ..... D11/26-39, 3-5;  
63/15, 15.1, 15.2, 15.3, 15.4, 15.45, 15.5,  
15.6, 15.65, 15.7, 15.8, 15.9, 26-29, 3

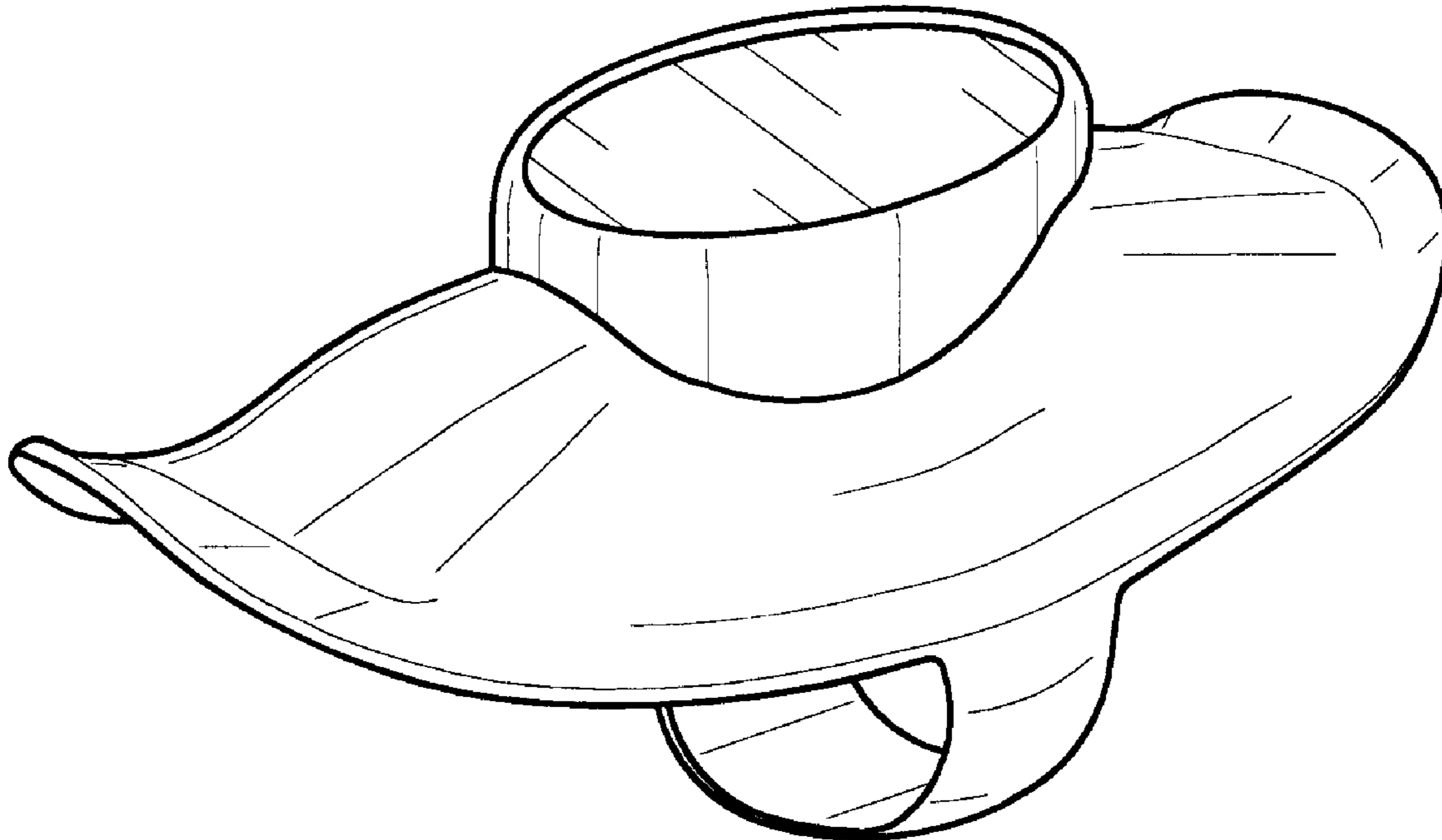
FIG. 1 is a Perspective view as seen from the Top, Front &  
Left side;  
FIG. 2 is a Left Side Elevational View;  
FIG. 3 is a Top Plan View;  
FIG. 4 is a Right Side Elevational View;  
FIG. 5 is a bottom plan View;  
FIG. 6 is a front Elevational View; and  
FIG. 7 is a rear elevational view.

(56) **References Cited**

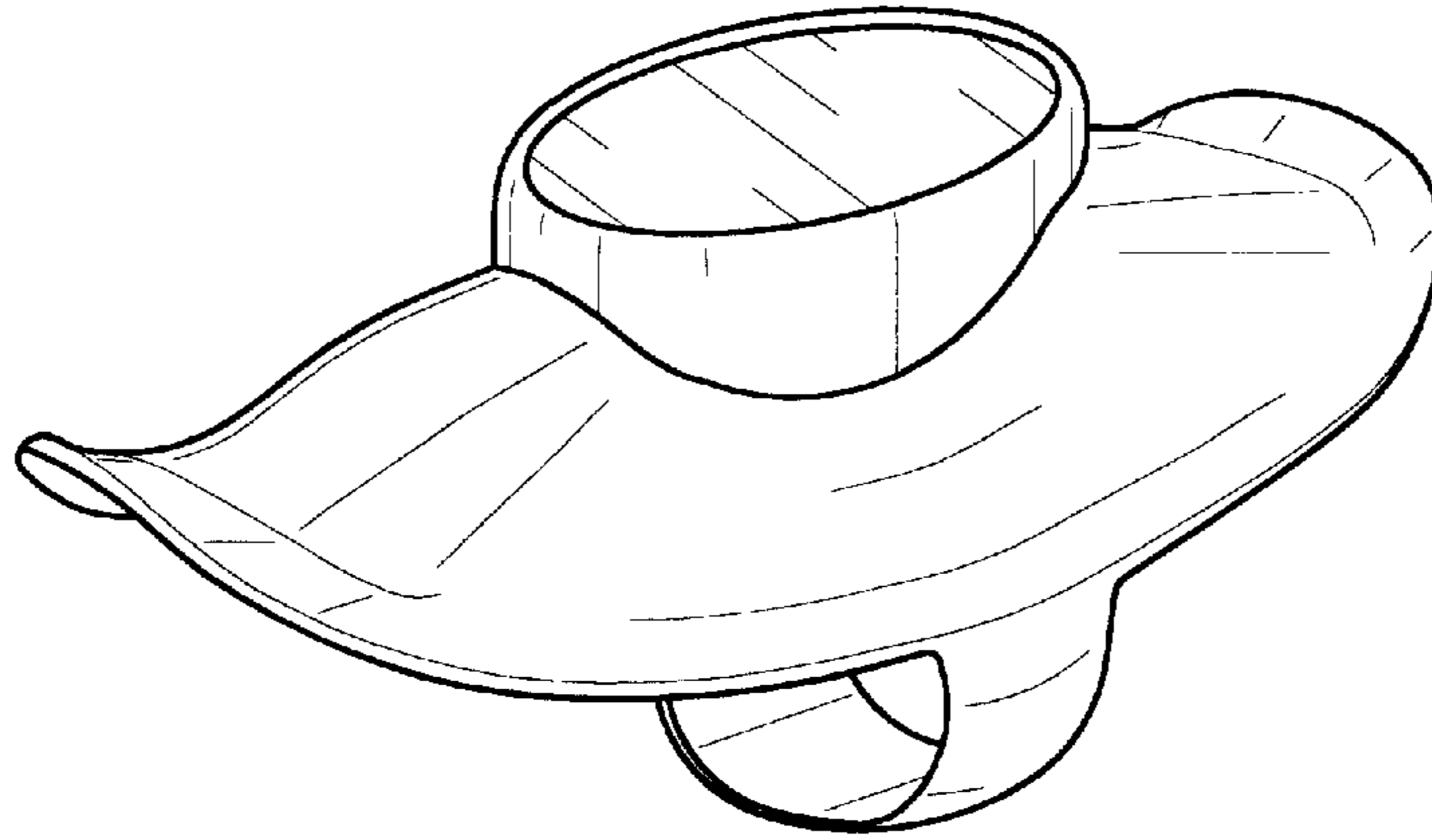
**U.S. PATENT DOCUMENTS**

236,835 A \* 1/1881 Palmer ..... 63/15  
1,018,875 A \* 2/1912 Cardon ..... 63/15  
D71,324 S \* 10/1926 Bronkessel ..... D11/34  
2,287,865 A \* 6/1942 Carleton ..... 63/15  
2,294,577 A \* 9/1942 Scott ..... 63/15.1

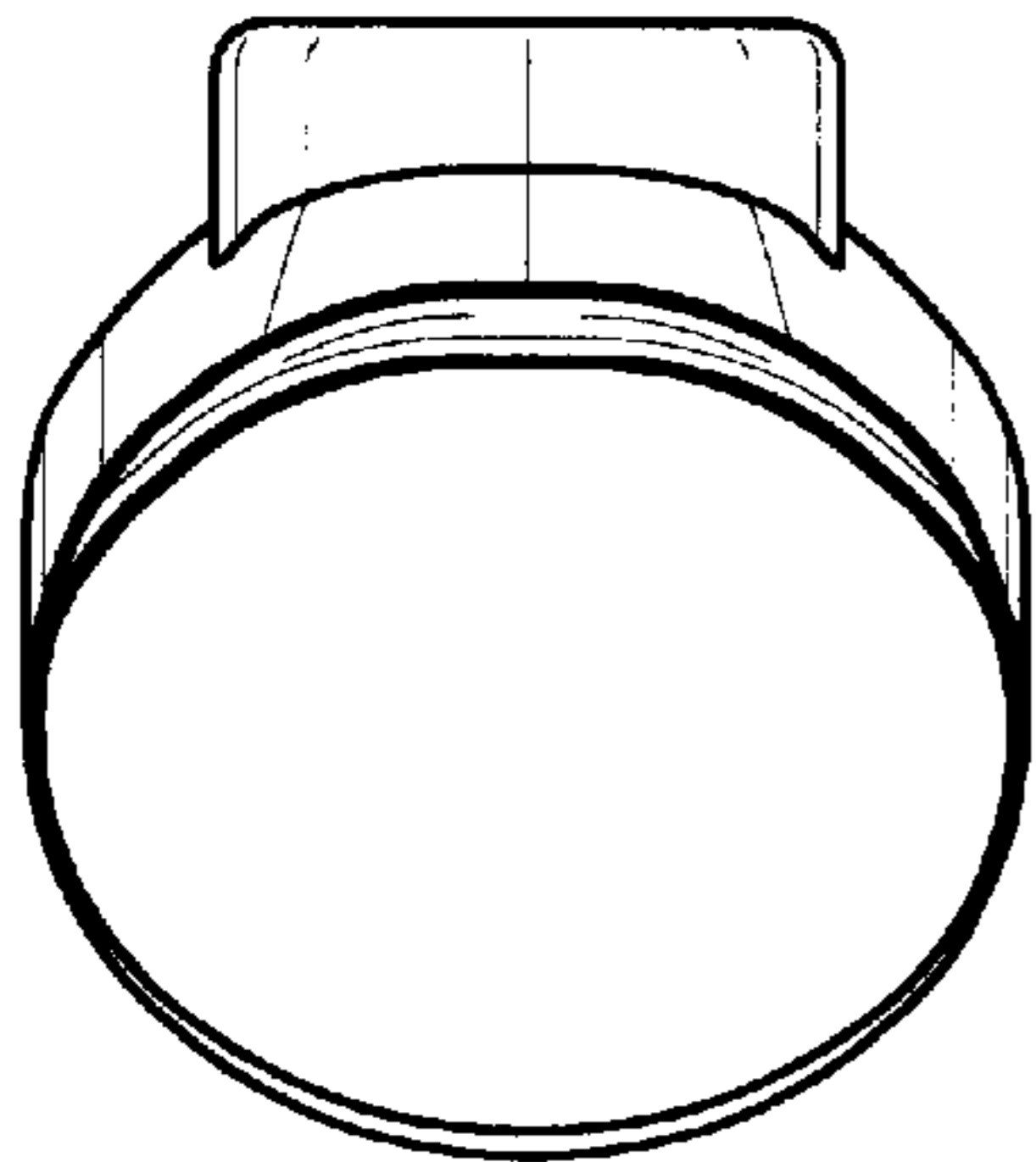
**1 Claim, 2 Drawing Sheets**



*FIG. 1*



*FIG. 6*



*FIG. 7*

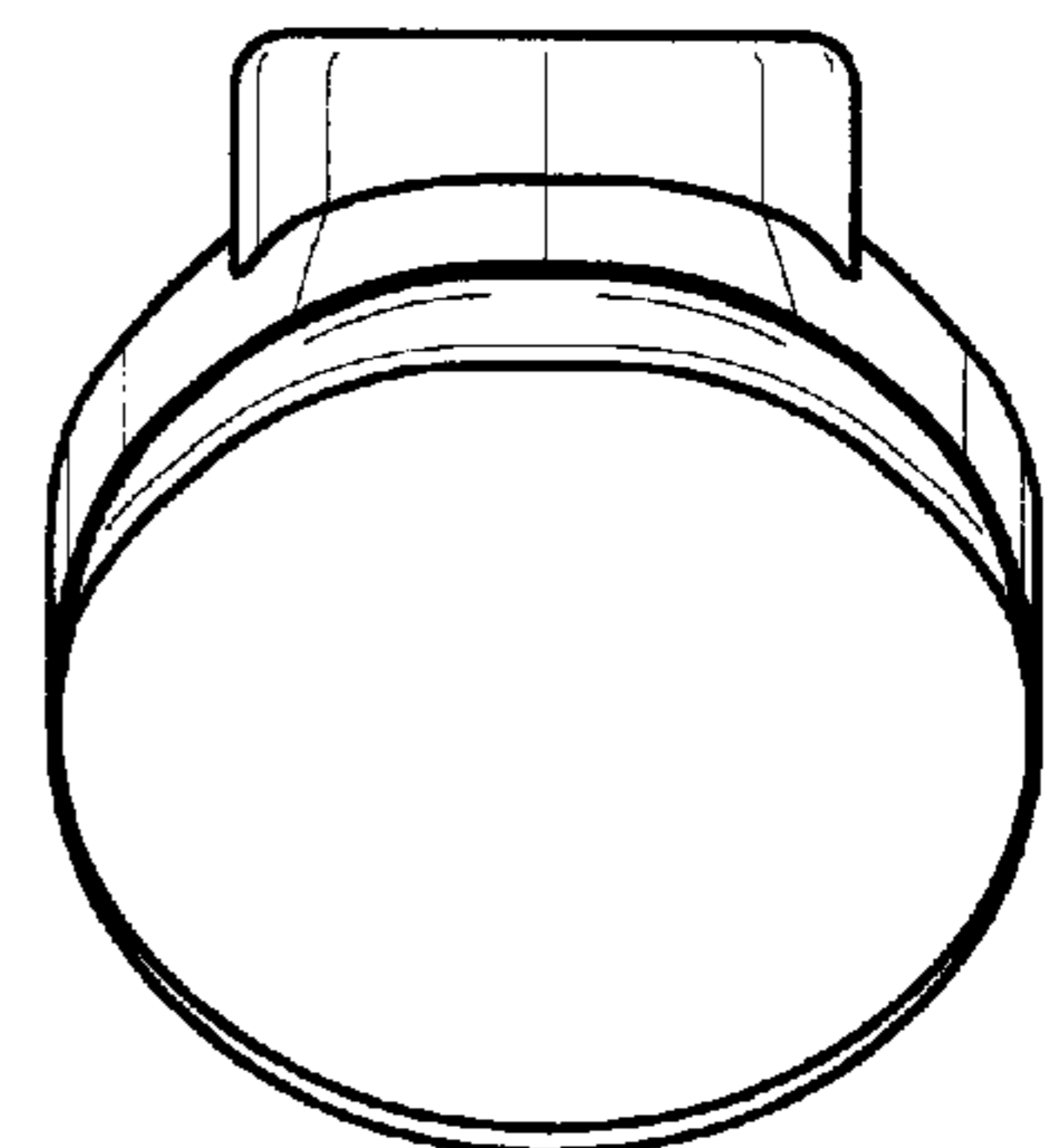


FIG.2

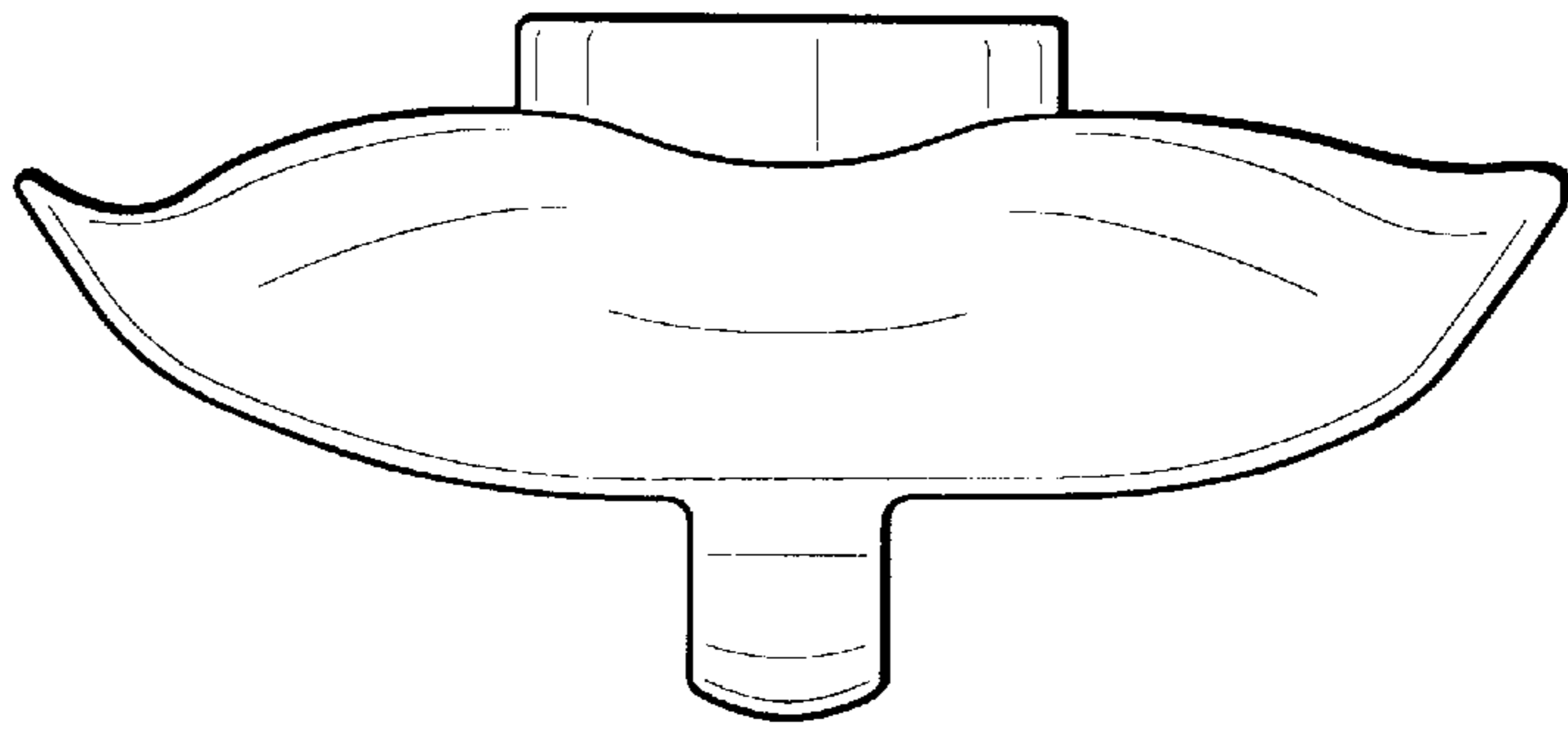


FIG.3

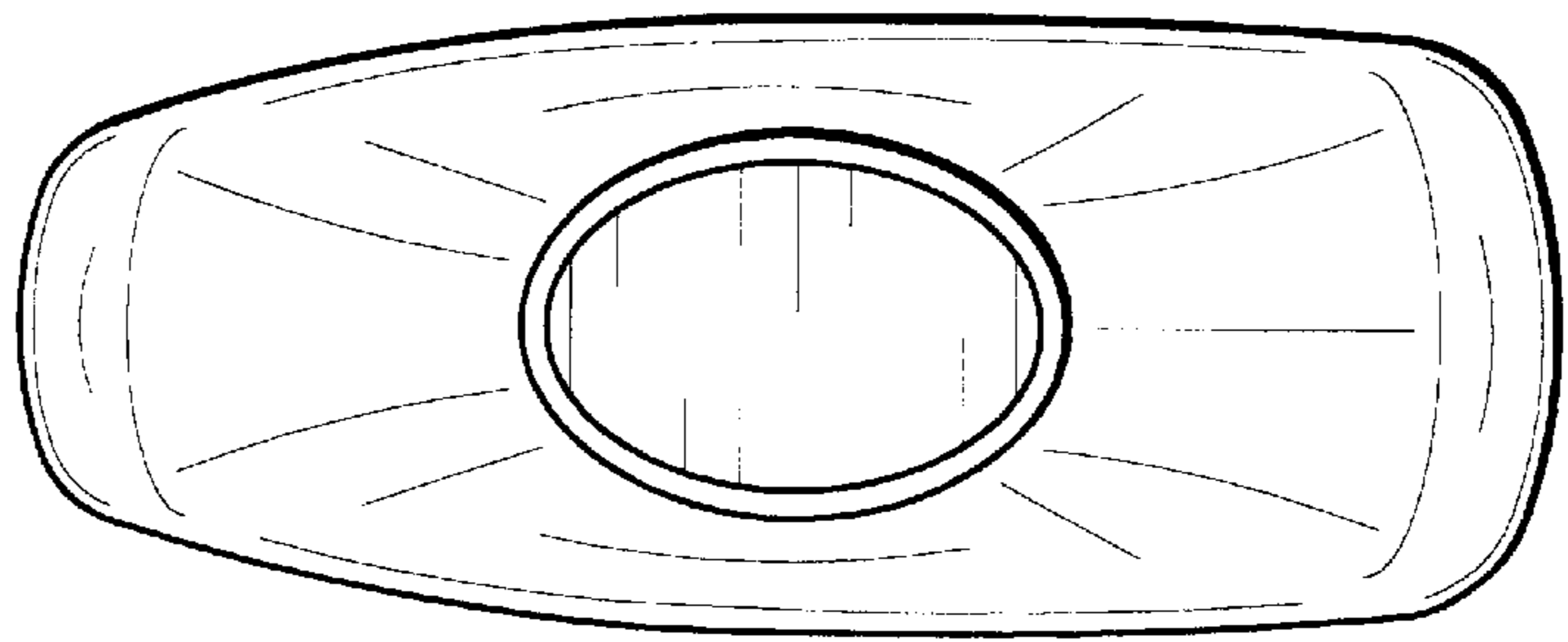


FIG.4

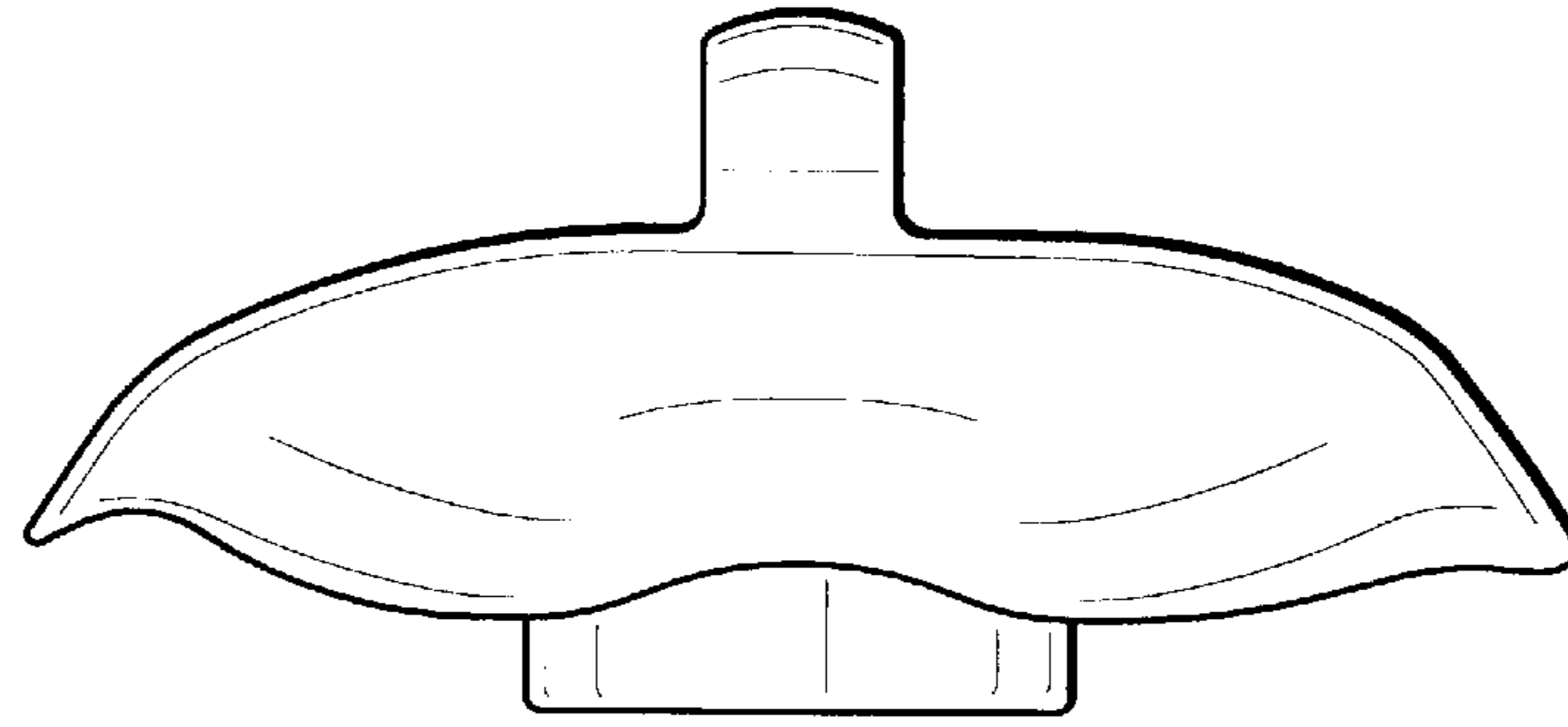


FIG.5

