



US00D488735S

(12) **United States Design Patent**
Palmer et al.

(10) **Patent No.:** **US D488,735 S**

(45) **Date of Patent:** **** Apr. 20, 2004**

(54) **COMBINATION PRESSURE SWITCH AND GAGE**

(75) Inventors: **Brian L. Palmer**, Michigan City, IN (US); **Daniel A. Heuer**, New Carlisle, IN (US); **Ronald R. Krueger**, Michigan City, IN (US)

(73) Assignee: **Dwyer Instruments, Inc.**, Michigan City, IN (US)

(**) Term: **14 Years**

(21) Appl. No.: **29/177,099**

(22) Filed: **Mar. 4, 2003**

(51) **LOC (7) Cl.** **10-04**

(52) **U.S. Cl.** **D10/99**

(58) **Field of Search** D10/99, 85, 103;
324/110, 115, 119, 146, 149, 156; 73/715-722,
431

(56) **References Cited**

U.S. PATENT DOCUMENTS

3,645,140	A	2/1972	Phillips et al.	
4,011,759	A	3/1977	Phillips et al.	
4,030,365	A	6/1977	Phillips et al.	
4,347,744	A	9/1982	Buchanan	
D301,018	S	5/1989	Hestich	
D316,975	S	* 5/1991	Brown et al. D10/46

D316,982	S	5/1991	Hestich	
D348,018	S	* 6/1994	Poleshuk et al. D10/99
6,089,098	A	7/2000	Tylisz et al.	
D429,655	S	* 8/2000	Cowan et al. D10/99

* cited by examiner

Primary Examiner—Antoine Duval Davis

(74) *Attorney, Agent, or Firm*—Barnes & Thornburg

(57) **CLAIM**

The ornamental design for a combination pressure switch and gage, as shown and described.

DESCRIPTION

FIG. 1 is a perspective view of the combination pressure switch and gage.

FIG. 2 is a front view of the combination pressure switch and gage.

FIG. 3 is a rear view of the combination pressure switch and gage.

FIG. 4 is a left side view of the combination pressure switch and gage.

FIG. 5 is a right side view of the combination pressure switch and gage.

FIG. 6 is a top view of the combination pressure switch and gage; and,

FIG. 7 is a bottom view of the combination pressure switch and gage.

1 Claim, 3 Drawing Sheets

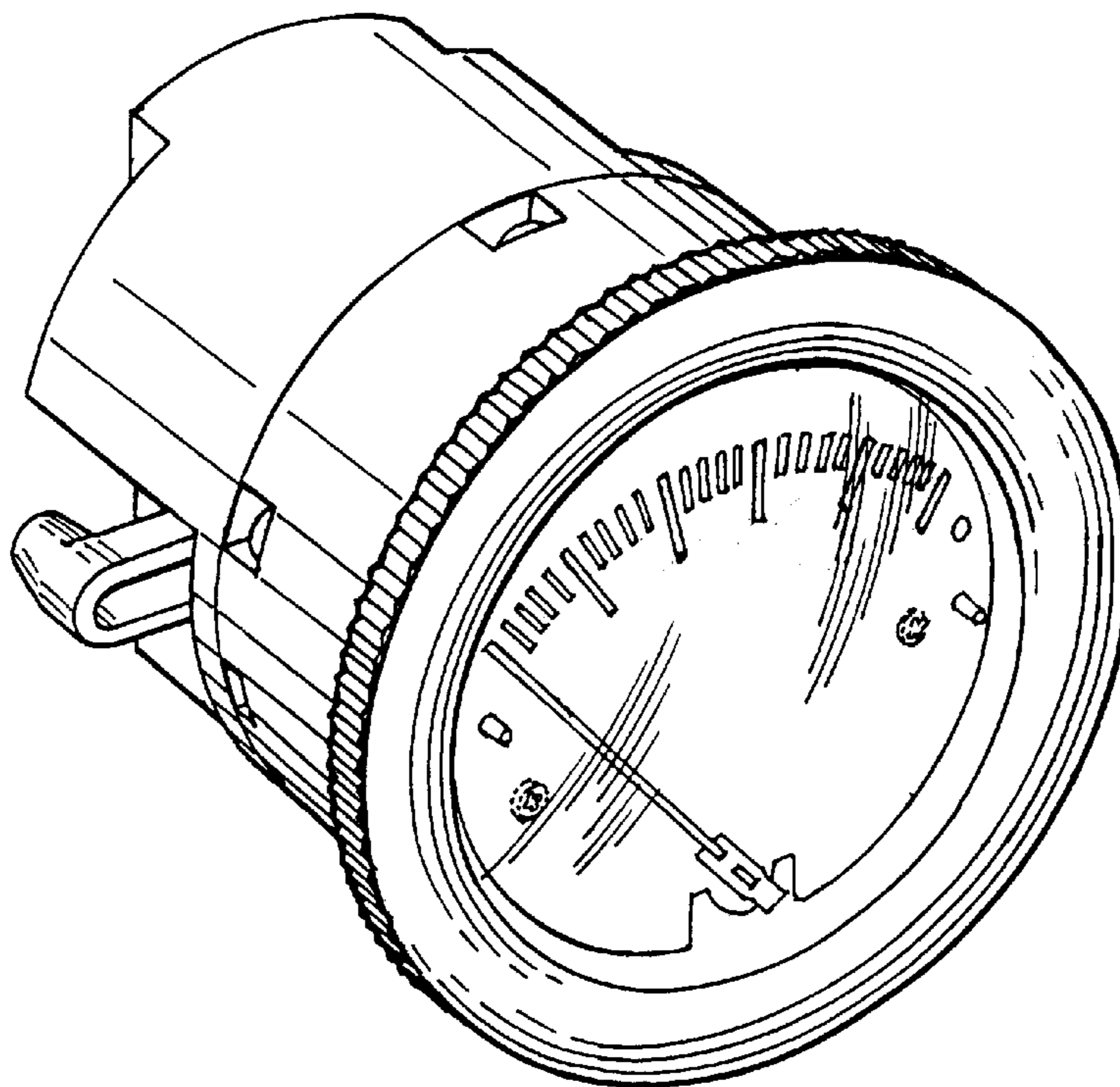


FIG.1

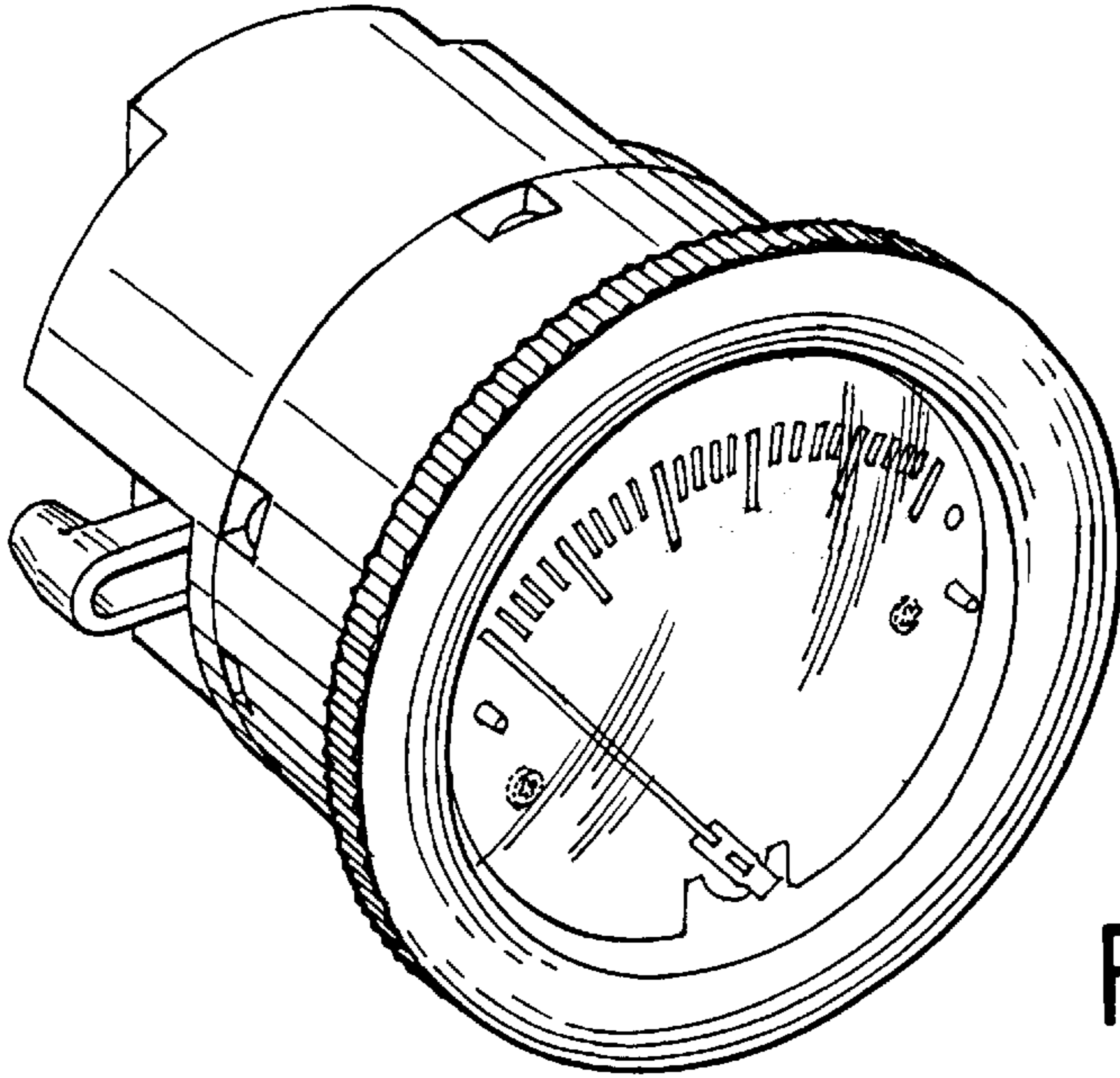


FIG.2

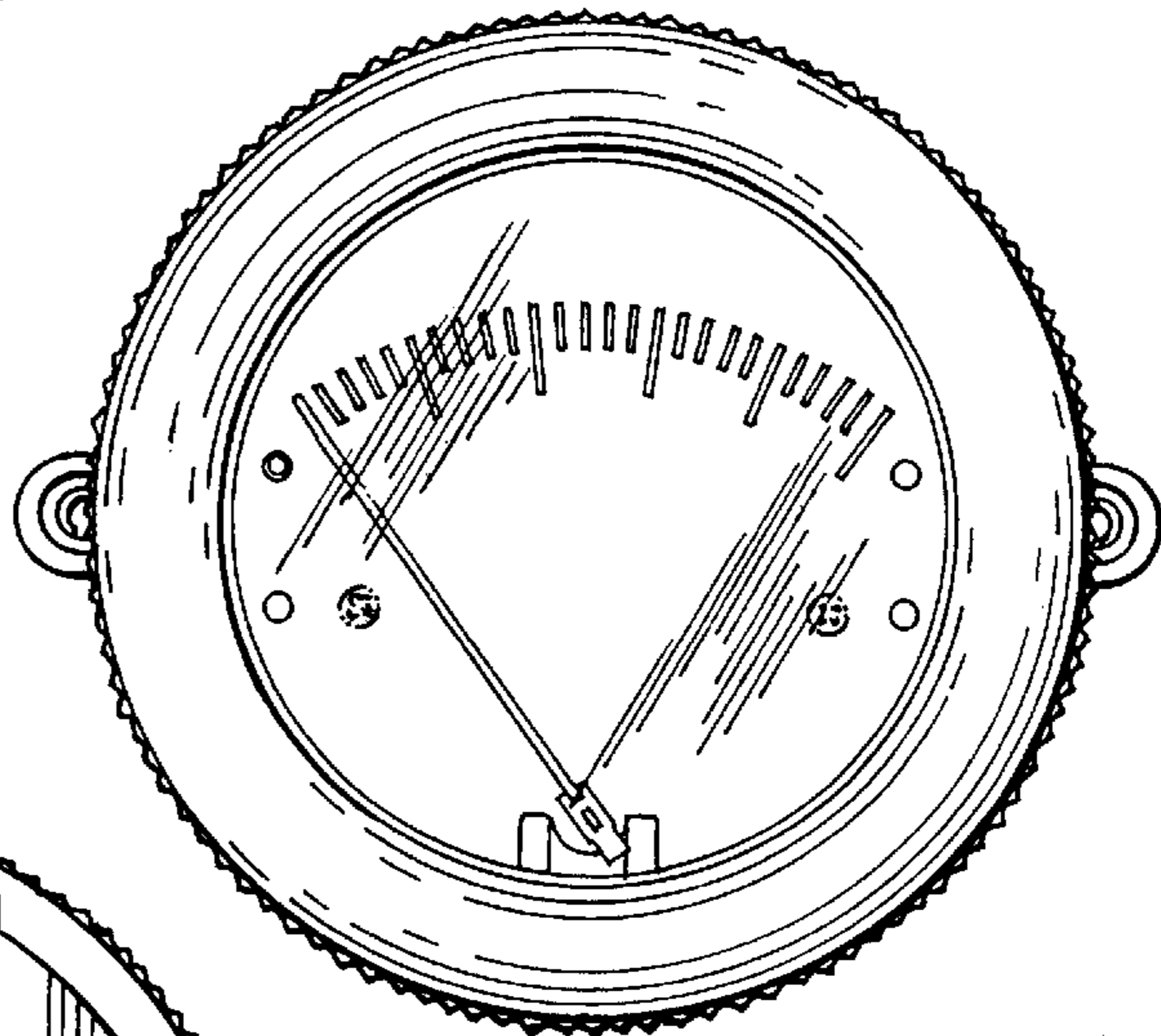


FIG.3

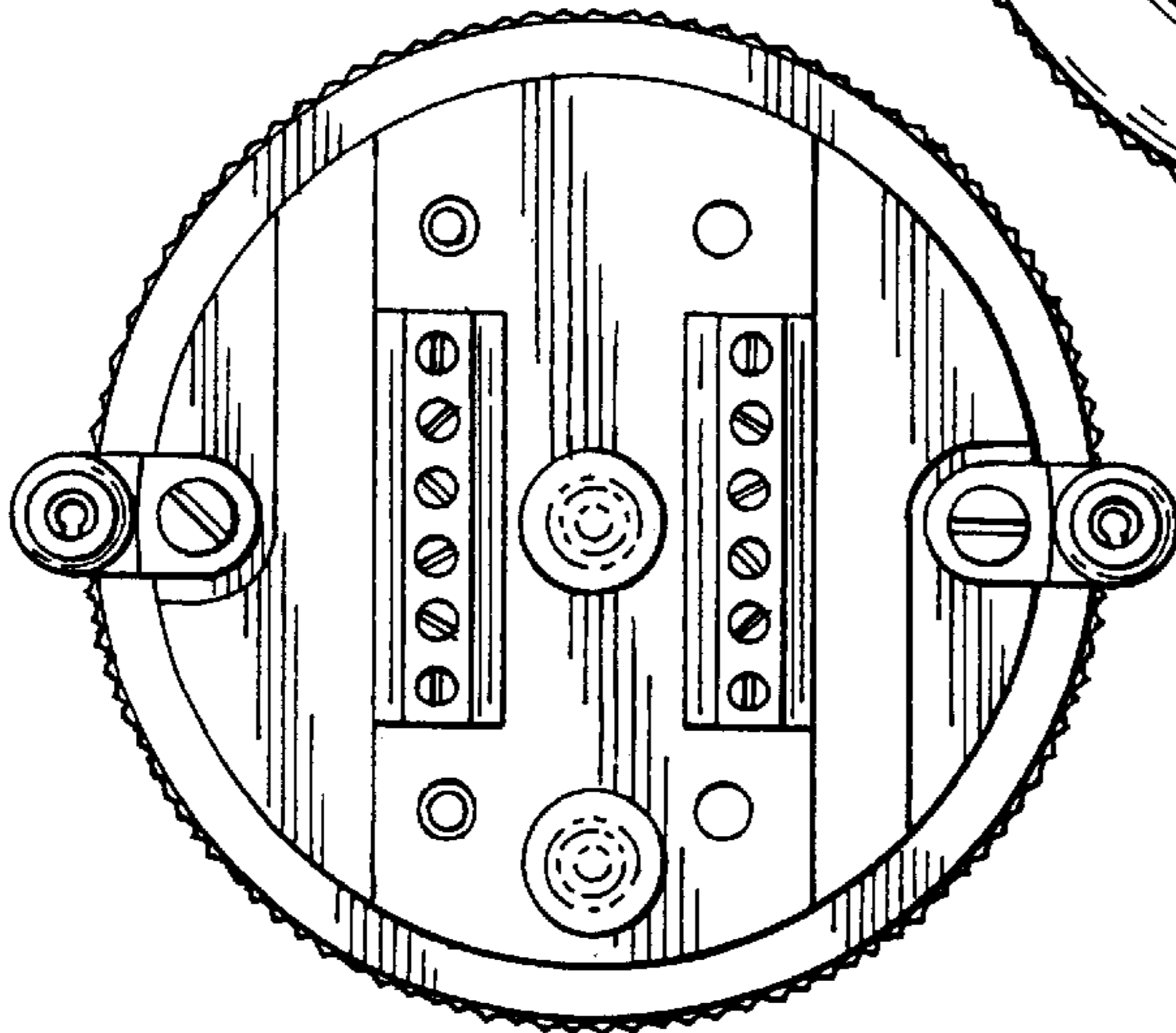


FIG.4

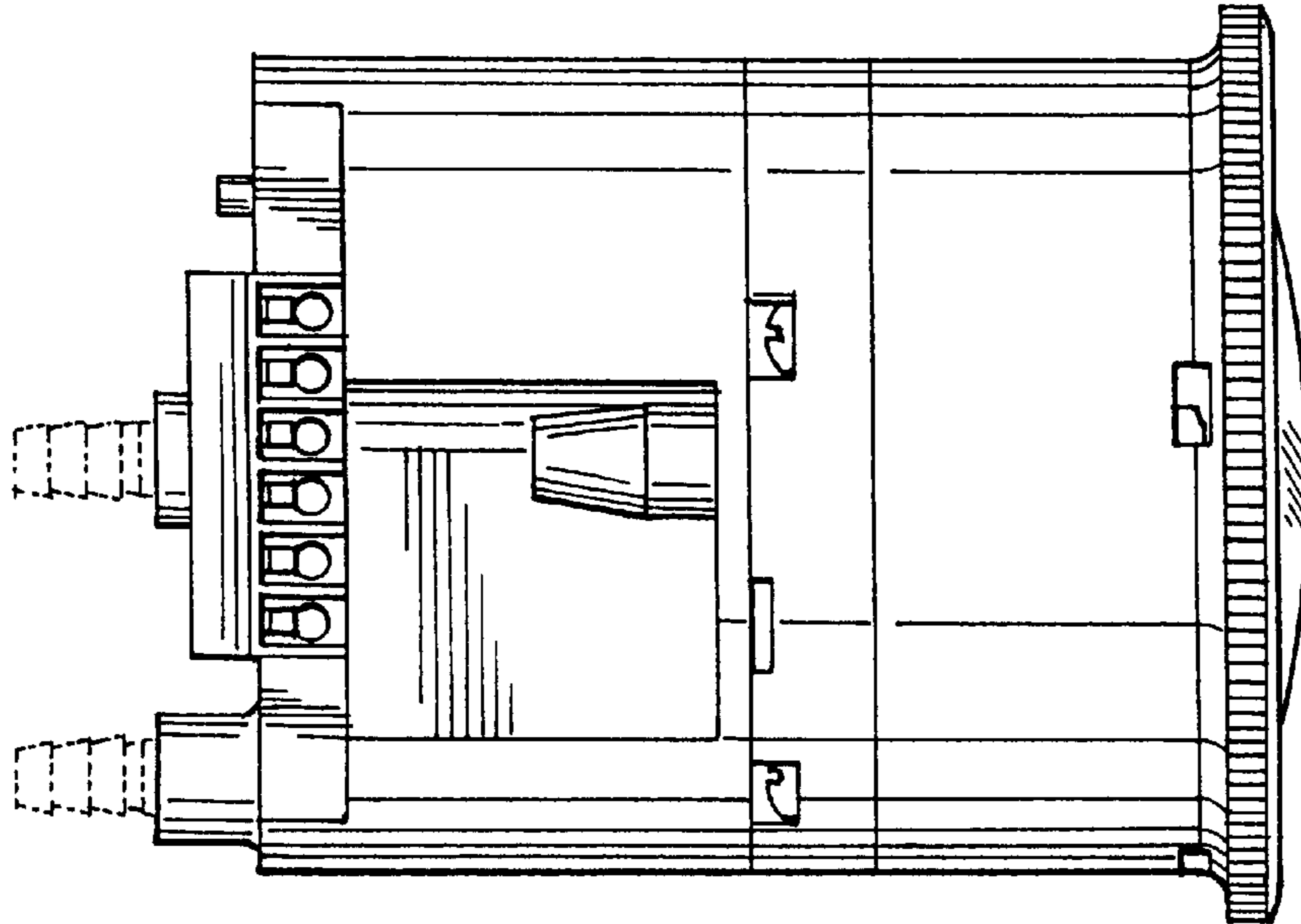


FIG.5

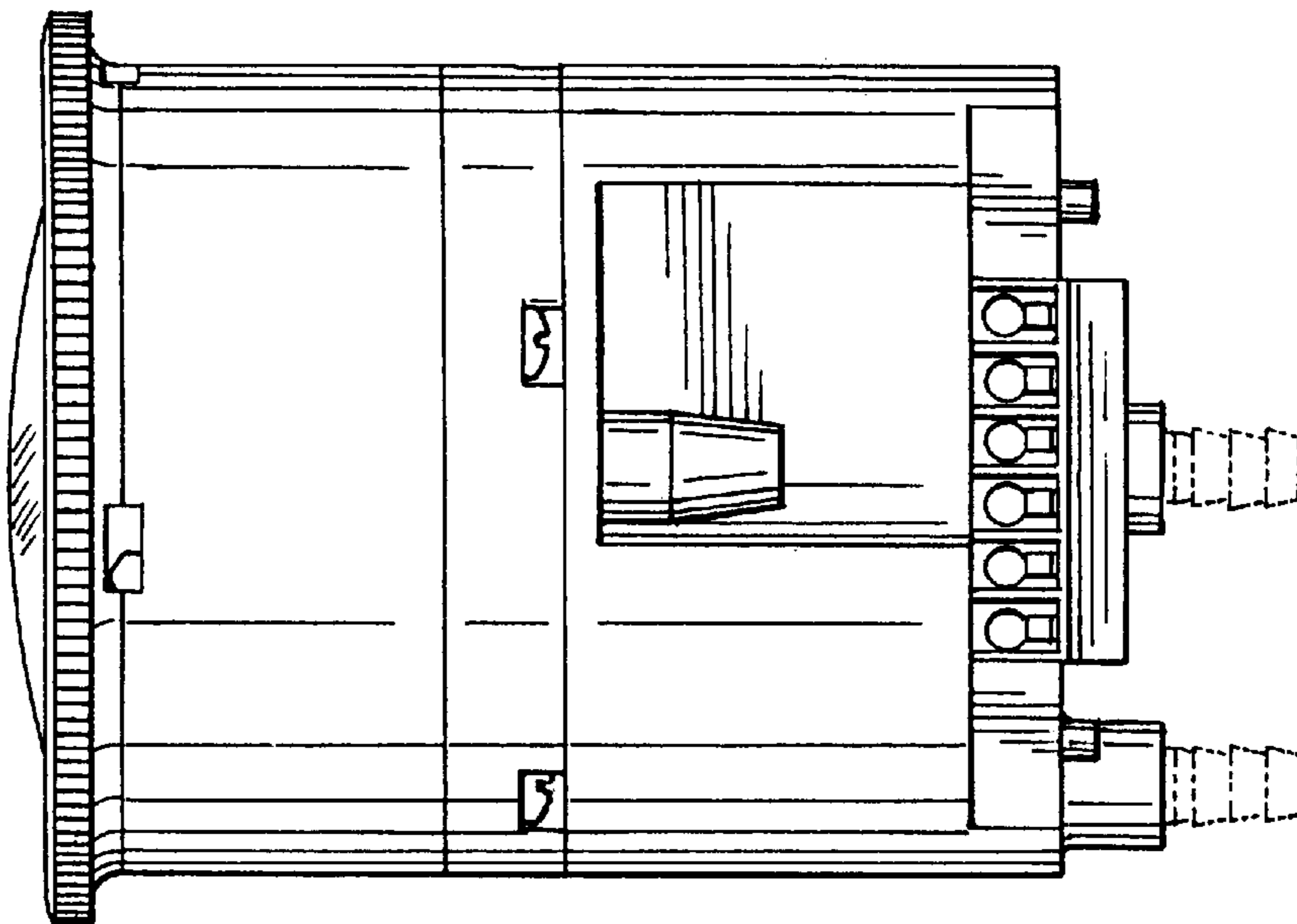


FIG.6

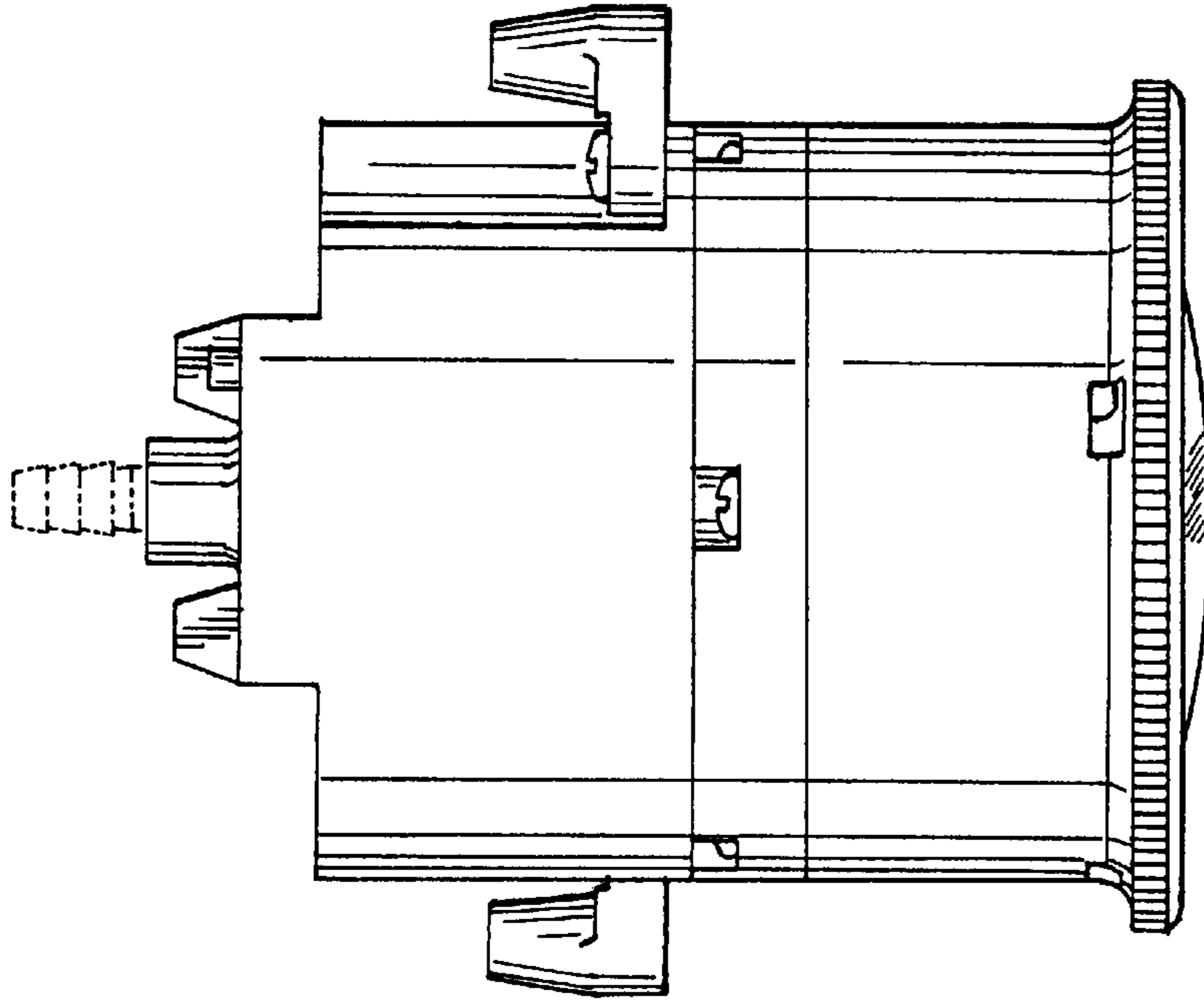


FIG.7

