



US00D488729S

(12) **United States Design Patent**
Golaszewski et al.

(10) **Patent No.:** **US D488,729 S**

(45) **Date of Patent:** **** Apr. 20, 2004**

(54) **MULTI-PURPOSE HAND TOOL THAT INCLUDES TAPE MEASURE, CHALK LINE, LEVEL, ANGLE REPLICATOR, AND PLUMB BOB IN SIDE COMPARTMENT**

6,463,666 B1 10/2002 Szumer
6,543,144 B1 * 4/2003 Morin 33/27.032

* cited by examiner

(76) Inventors: **Robert R. Golaszewski**, 8265 Sage Dr., Bonne Terre, MO (US) 63628; **Mary C. Golaszewski**, 8265 Sage Dr., Bonne Terre, MO (US) 63628

Primary Examiner—Antoine Duval Davis

(74) *Attorney, Agent, or Firm*—Donald R. Schoonover

(**) Term: **14 Years**

(57) **CLAIM**

The ornamental design for a multi-purpose hand tool that includes tape measure, chalk line, level, angle replicator, and plumb bob in side compartment, as shown and described.

(21) Appl. No.: **29/179,909**

DESCRIPTION

(22) Filed: **Apr. 17, 2003**

(51) **LOC (7) Cl.** **10-04**

(52) **U.S. Cl.** **D10/62**

(58) **Field of Search** D10/62; 33/451, 33/484, 760

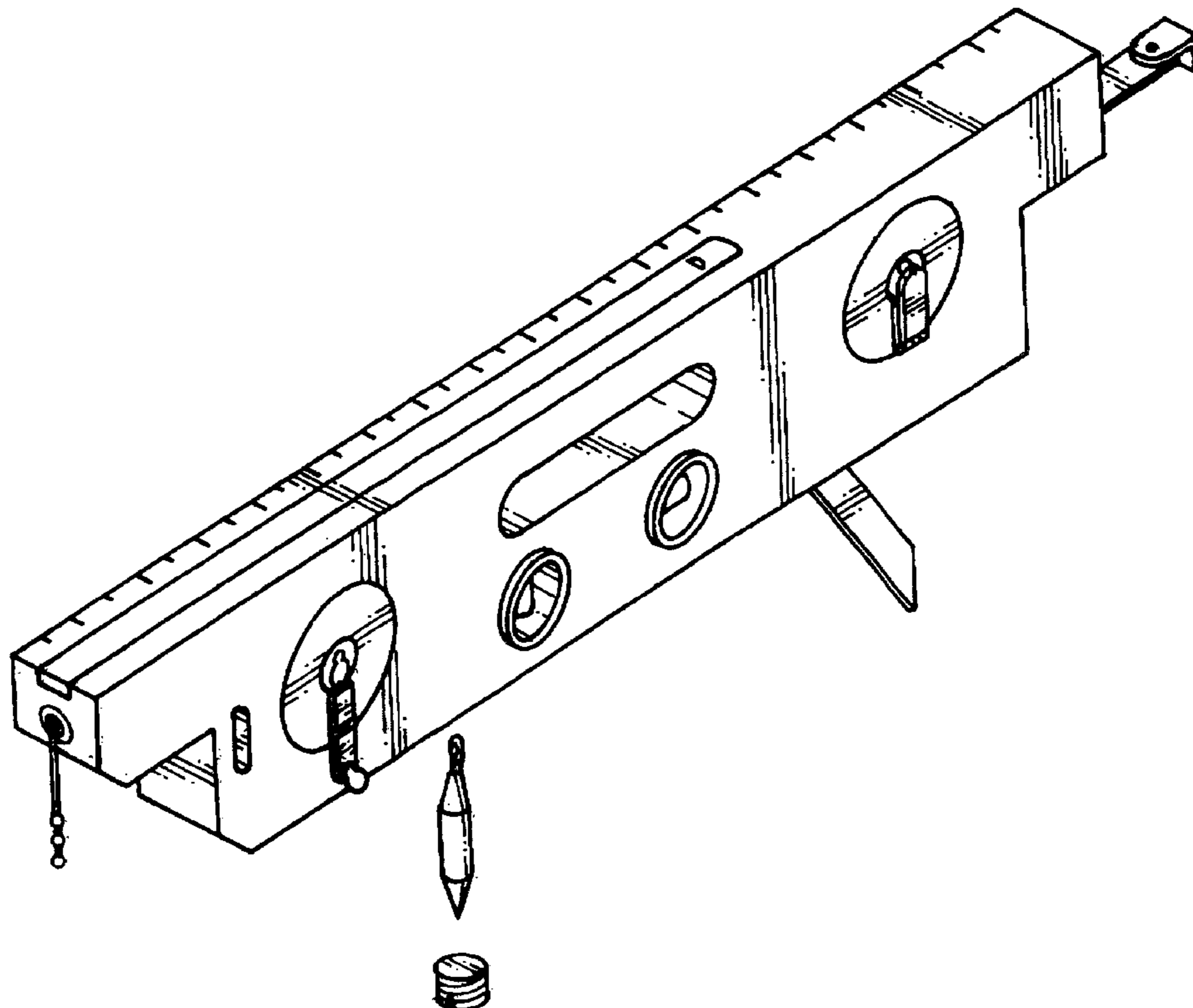
FIG. 1 is a perspective view of a multi-purpose hand tool that includes tape measure, chalk line, level, angle replicator, and plumb bob in side compartment showing our new desk with angle replicator extended and showing plumb bob and cap removed from side compartment; FIG. 2 is a front elevational view thereof with angle replicator extended; FIG. 3 is a rear elevational view thereof with angle replicator retracted; FIG. 4 is an end elevational view thereof with angle replicator retracted; FIG. 5 is an elevational view of the opposing end with angle replicator retracted; FIG. 6 is a top plan view thereof; and, FIG. 7 is a bottom plan view thereof showing capped side compartments.

(56) **References Cited**

U.S. PATENT DOCUMENTS

803,512 A	10/1905	Scott, Jr.	
876,963 A	1/1908	Hoak	
D150,156 S	7/1948	Neil	
3,456,353 A	7/1969	Iams	
3,835,542 A *	9/1974	DeMathe	33/449
D312,795 S *	12/1990	Fugett	D10/62
5,253,426 A	10/1993	Mosbrucker	
5,442,864 A	8/1995	Erman	
6,240,650 B1 *	6/2001	Olson	33/354

1 Claim, 3 Drawing Sheets



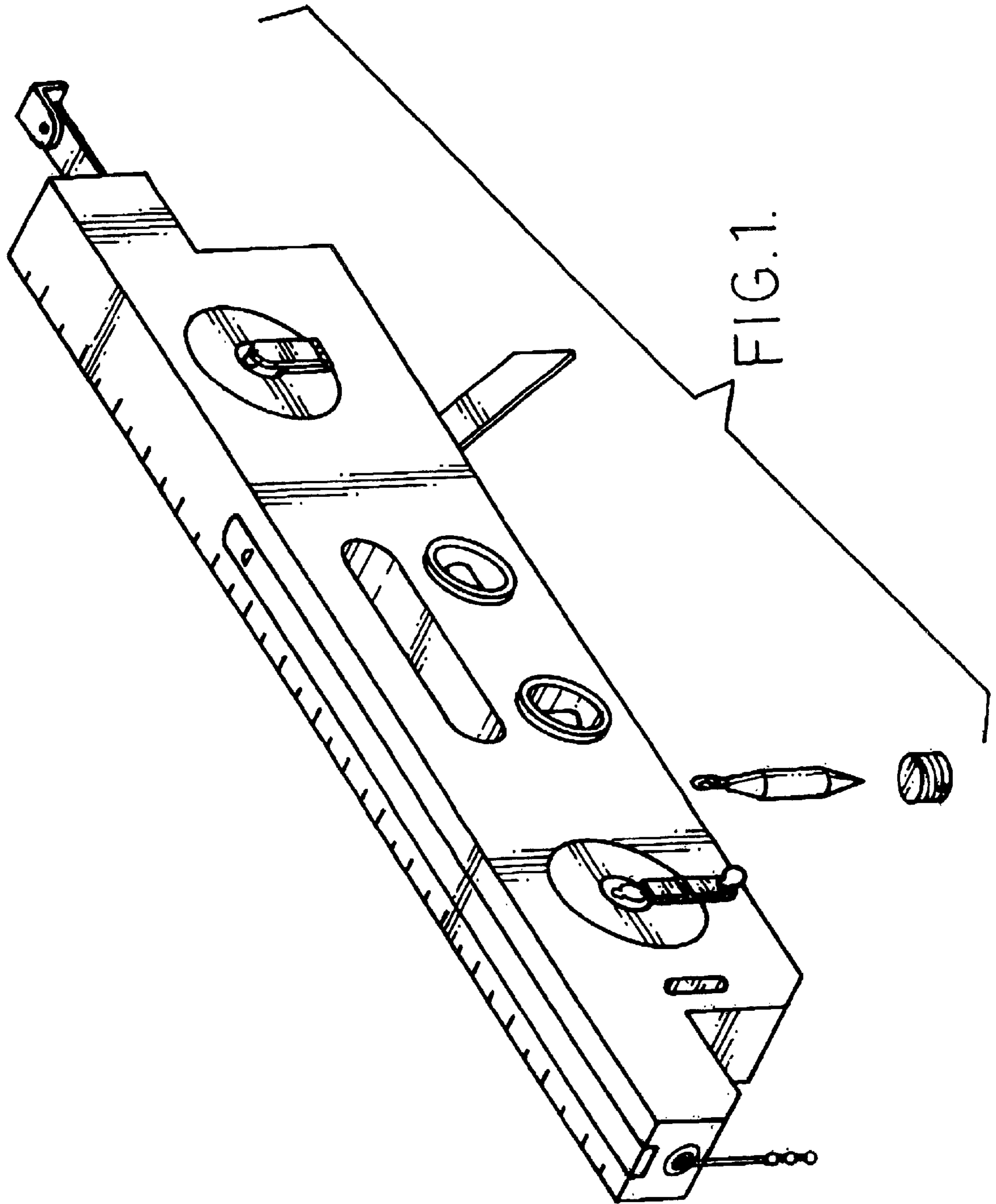


FIG. 1.

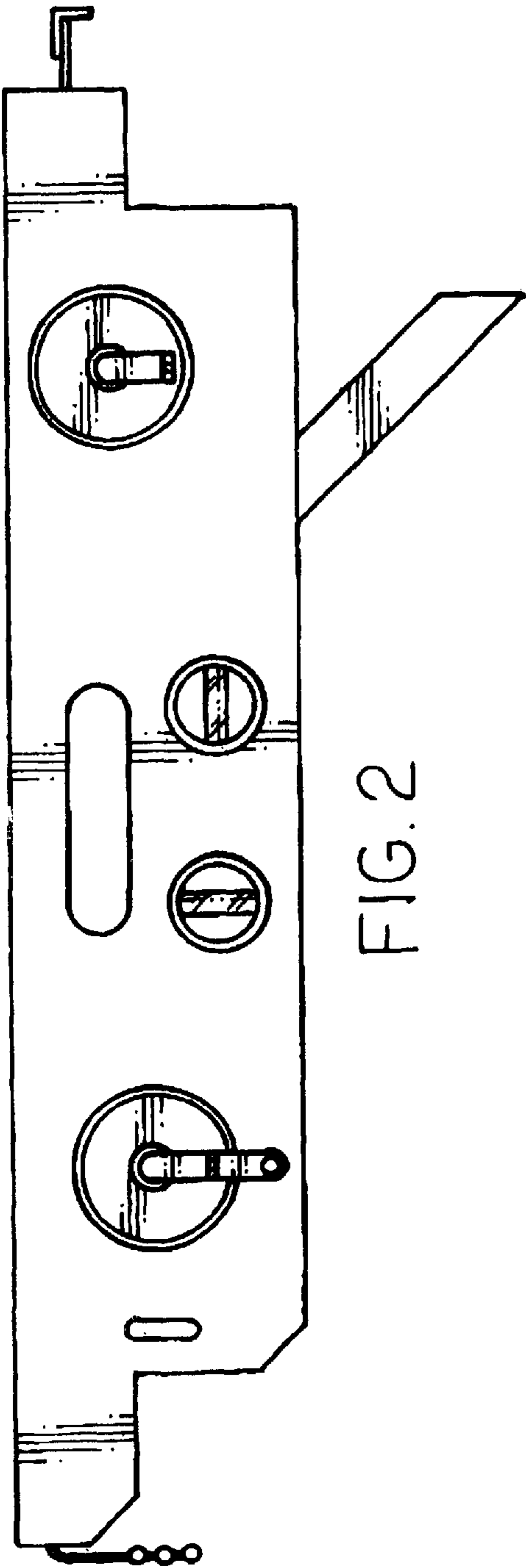


FIG. 2

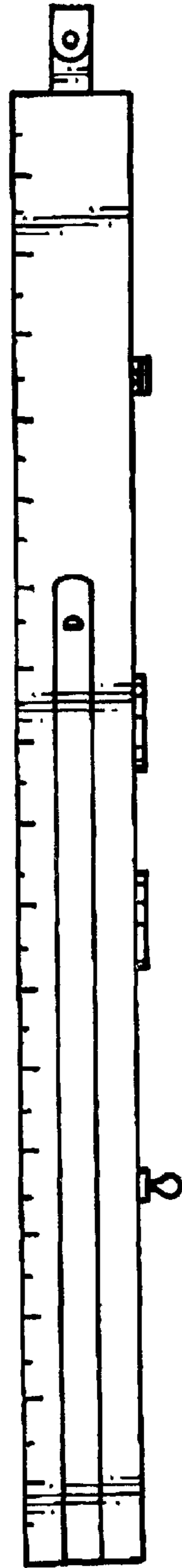


FIG. 6

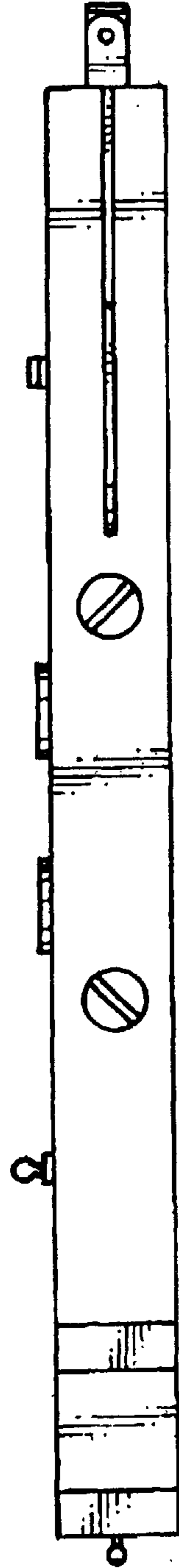


FIG. 7

FIG. 3

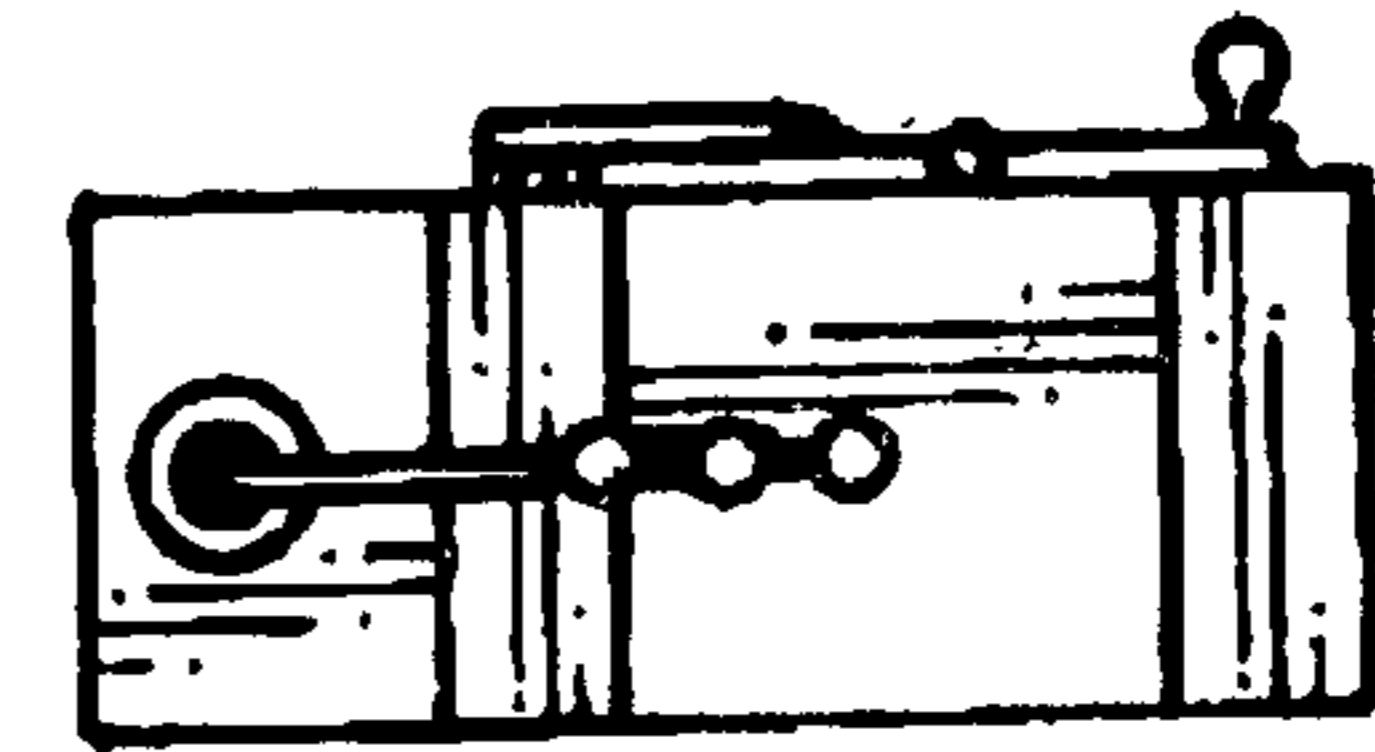
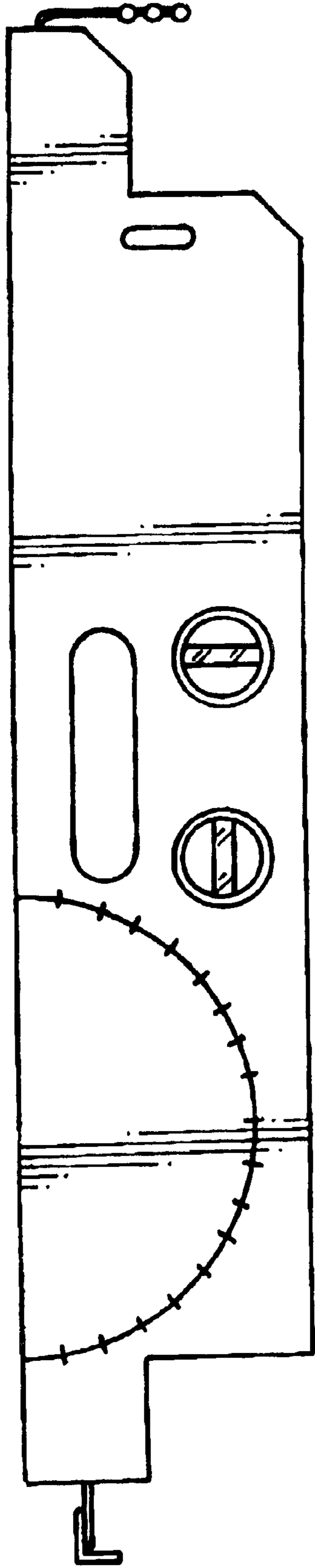


FIG. 4

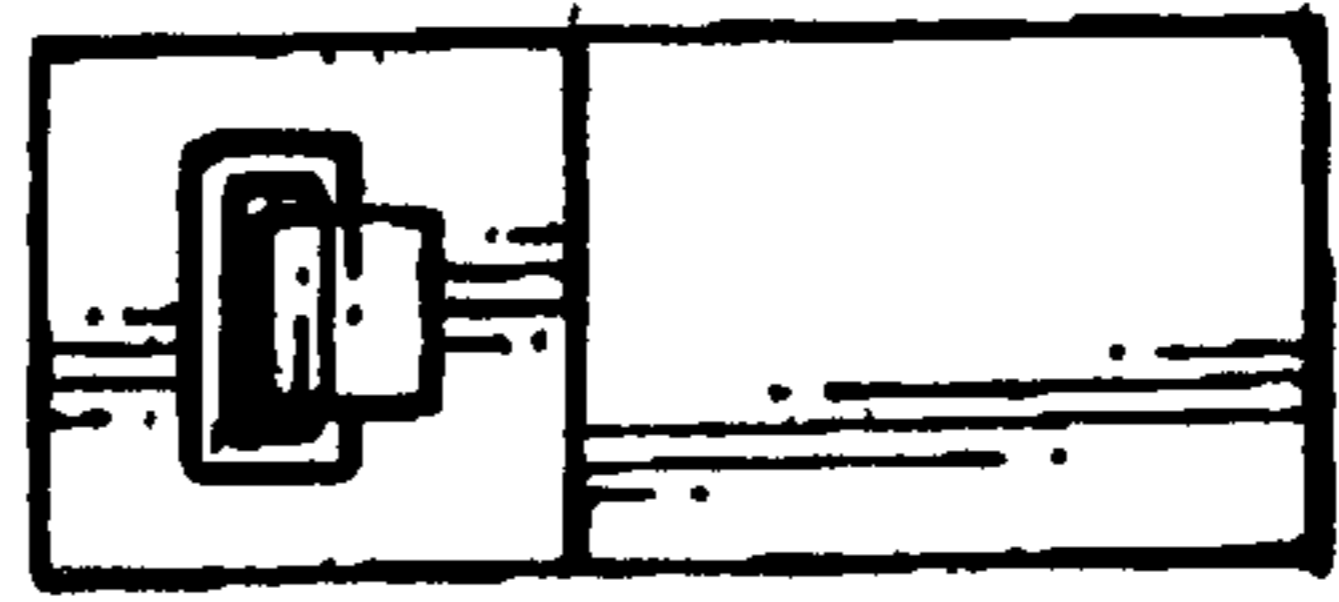


FIG. 5