



US00D488728S

(12) **United States Design Patent**
Brantl et al.

(10) **Patent No.:** **US D488,728 S**

(45) **Date of Patent:** **** Apr. 20, 2004**

(54) **STEALTH WEATHERVANE**

Primary Examiner—Antoine Duval Davis

(76) Inventors: **Robert Wayne Brantl**, N. 5728
Fotheringham, Spokane, WA (US)
99205; **Patti Jane Brantl**, N. 5728
Fotheringham, Spokane, WA (US)
99205

(57) **CLAIM**

The ornamental design for a stealth weathervane, as shown.

(**) Term: **14 Years**

DESCRIPTION

(21) Appl. No.: **29/179,945**

FIG. #1. A perspective view of the weathervane from the left front angle and the attached tube upon which the weathervane rotates after being mounted on a suitable mast or vertical shaft.

(22) Filed: **Apr. 17, 2003**

FIG. #2. A flat perspective of the right side of the weathervane and also shows the vertical tube and its point of attachment. This figure mirrors the left side exactly.

(51) **LOC (7) Cl.** **10-04**

(52) **U.S. Cl.** **D10/59**

(58) **Field of Search** D10/59; 73/170.01,
73/170.02–170.05, 170.07, 180

FIG. #3. A perspective view of the weathervane from the front and slightly elevated angle.

(56) **References Cited**

U.S. PATENT DOCUMENTS

FIG. #4. A perspective view of the weathervane from the rear and slightly elevated angle.

4,080,826 A * 3/1978 Perretta 73/170.07

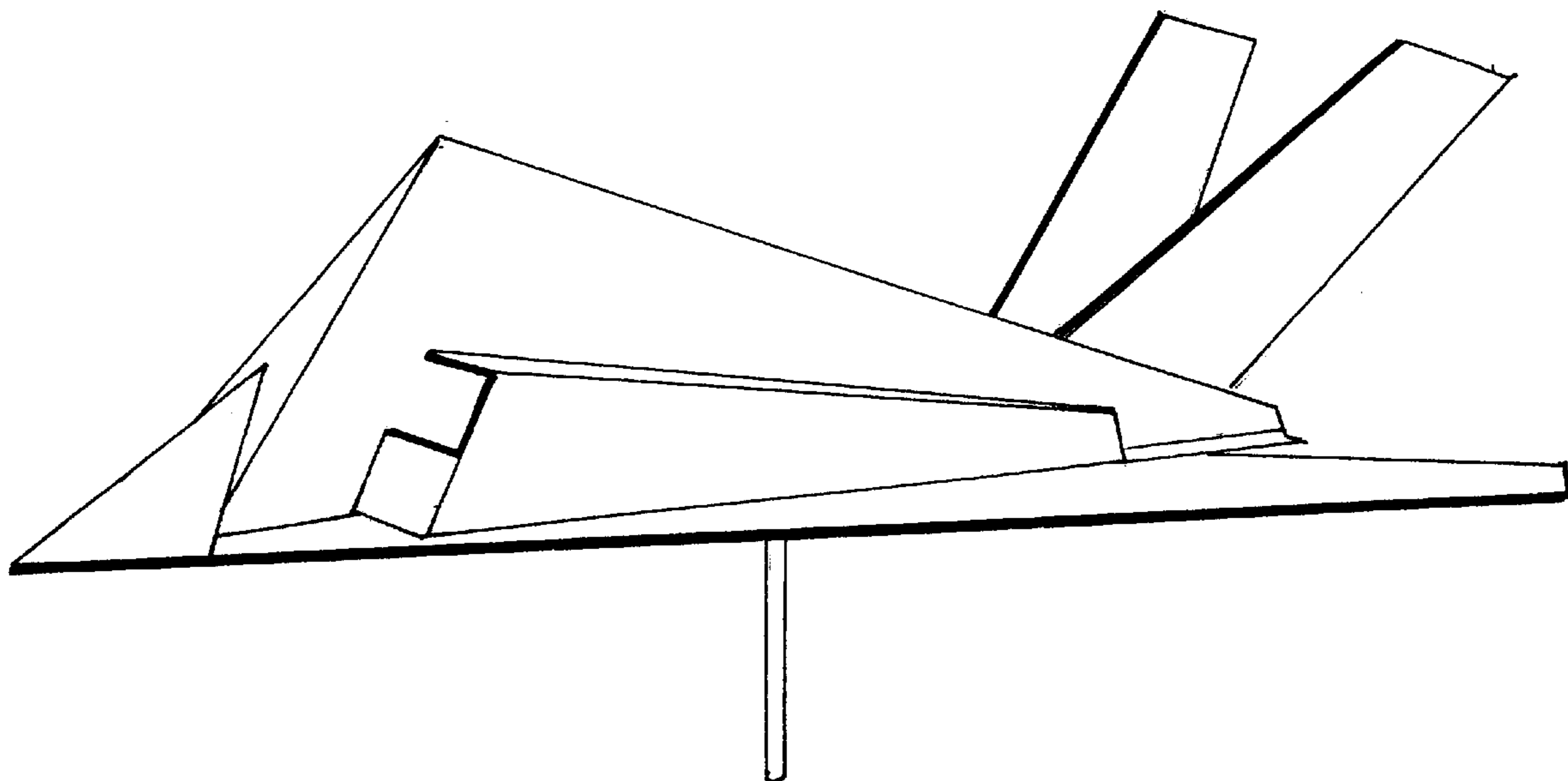
5,852,237 A * 12/1998 Renshaw 73/180

FIG. #5. A flat perspective of the top of the weathervane; and,

* cited by examiner

FIG. #6. A flat perspective of the bottom of the weathervane.

1 Claim, 6 Drawing Sheets



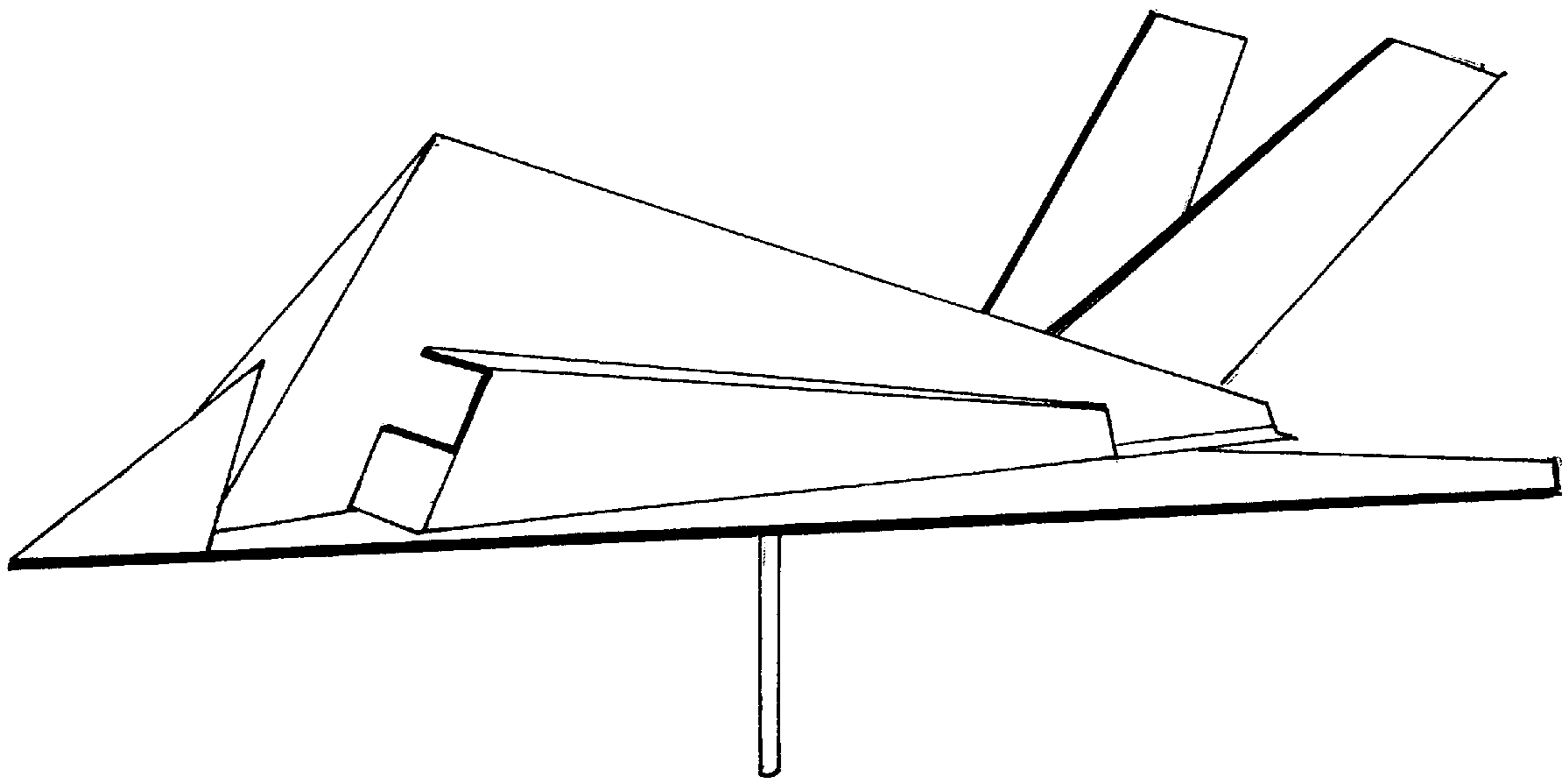


Fig. #1

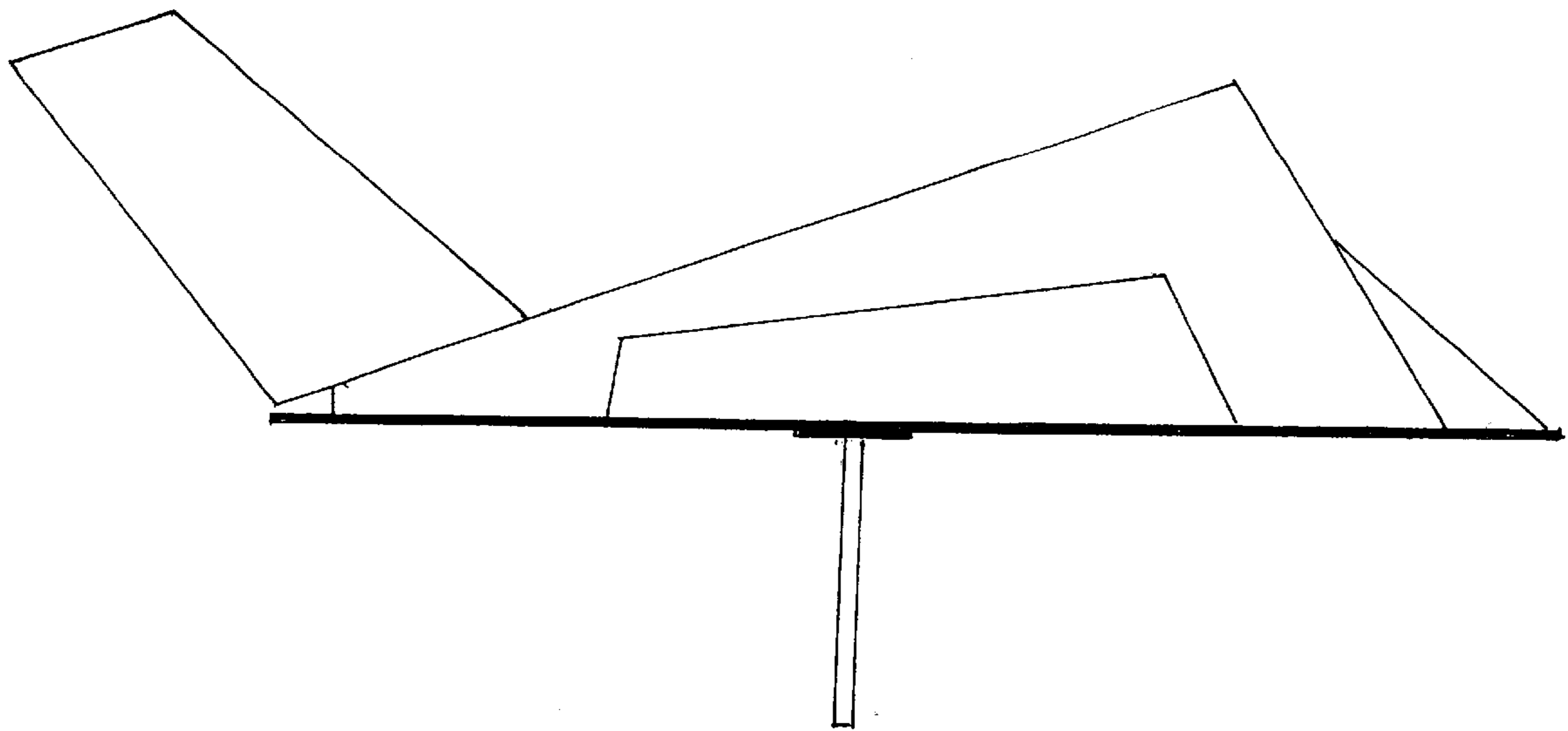


Fig. #2

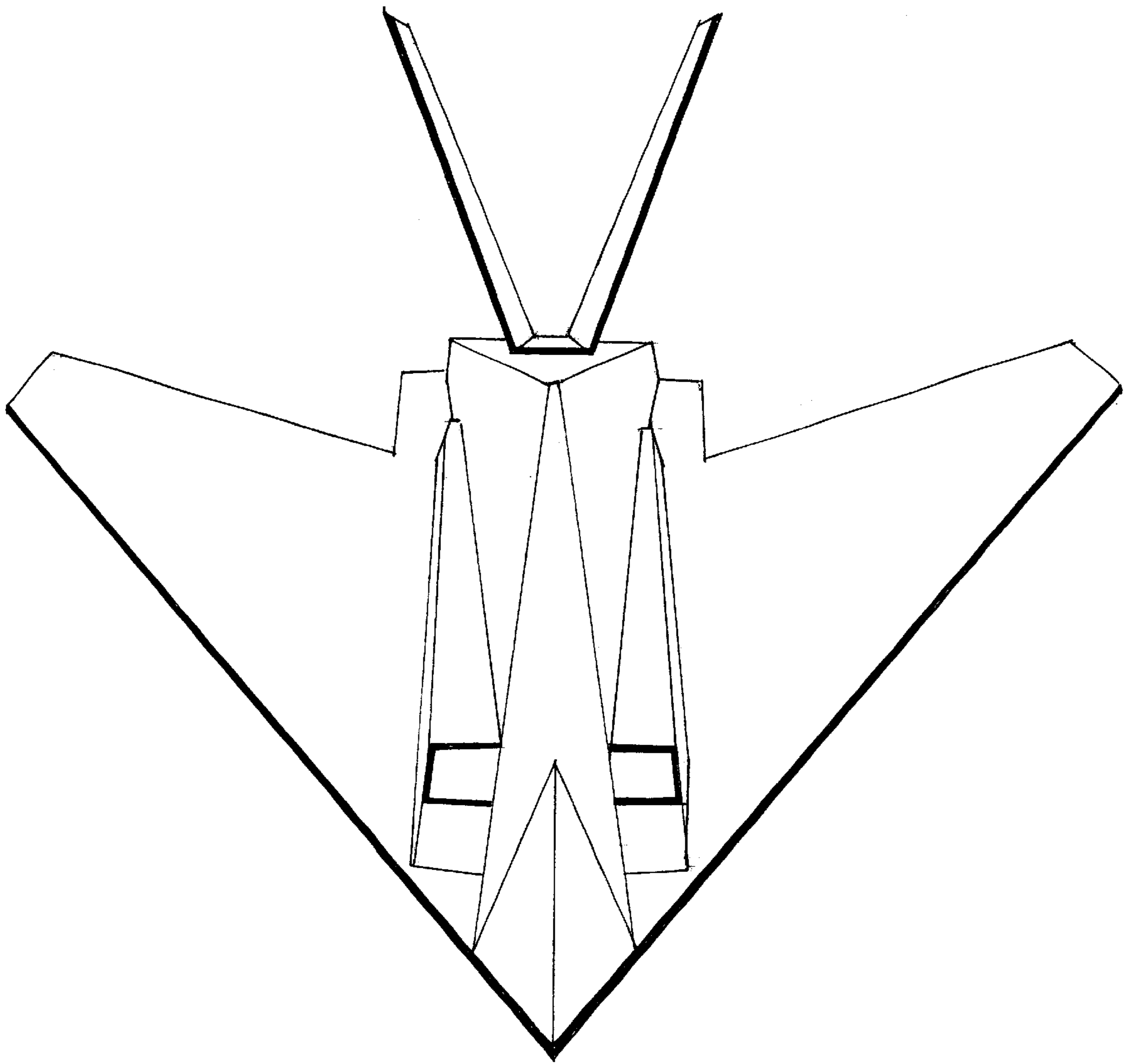


Fig. # 3

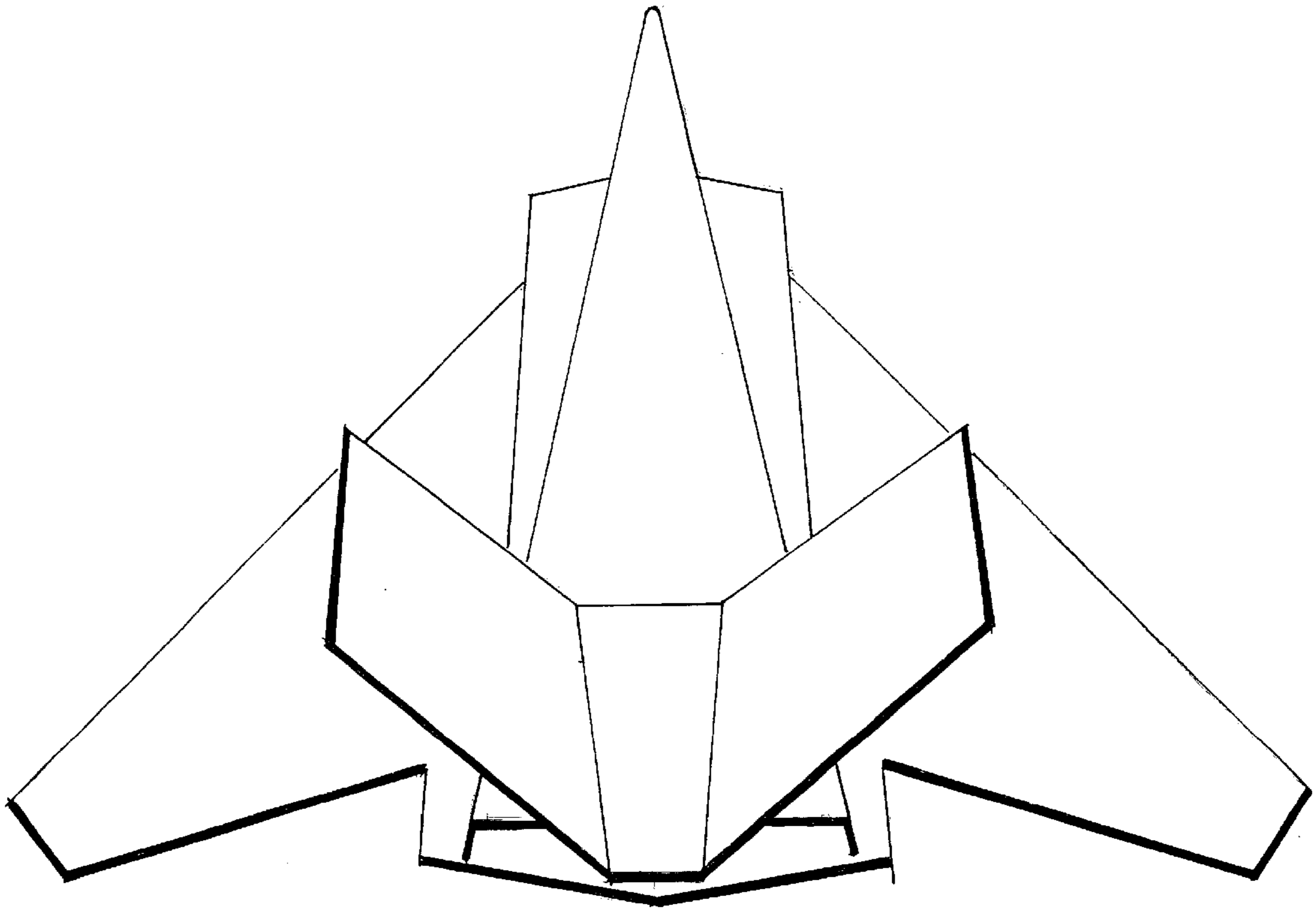


Fig. #4

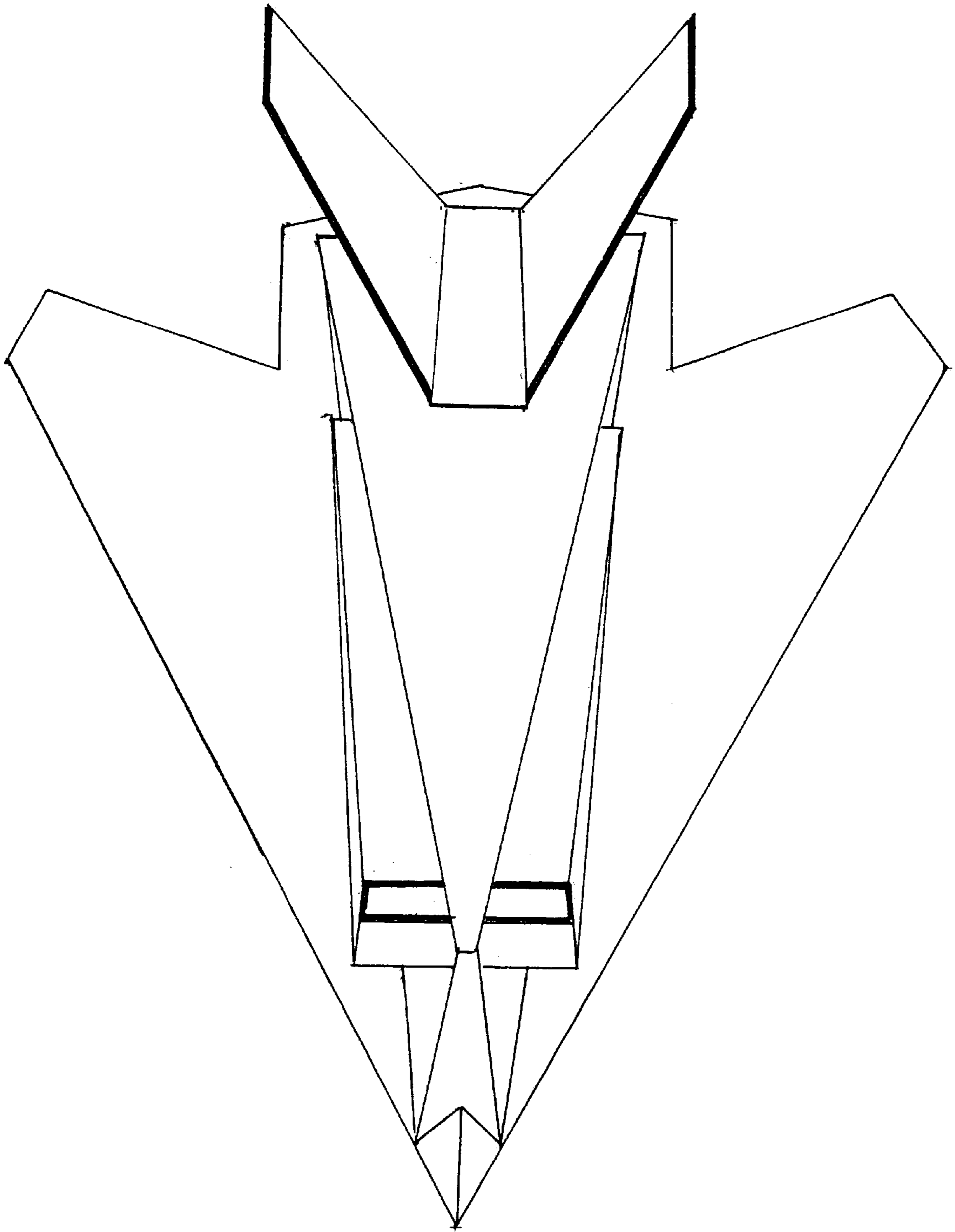


Fig. #5

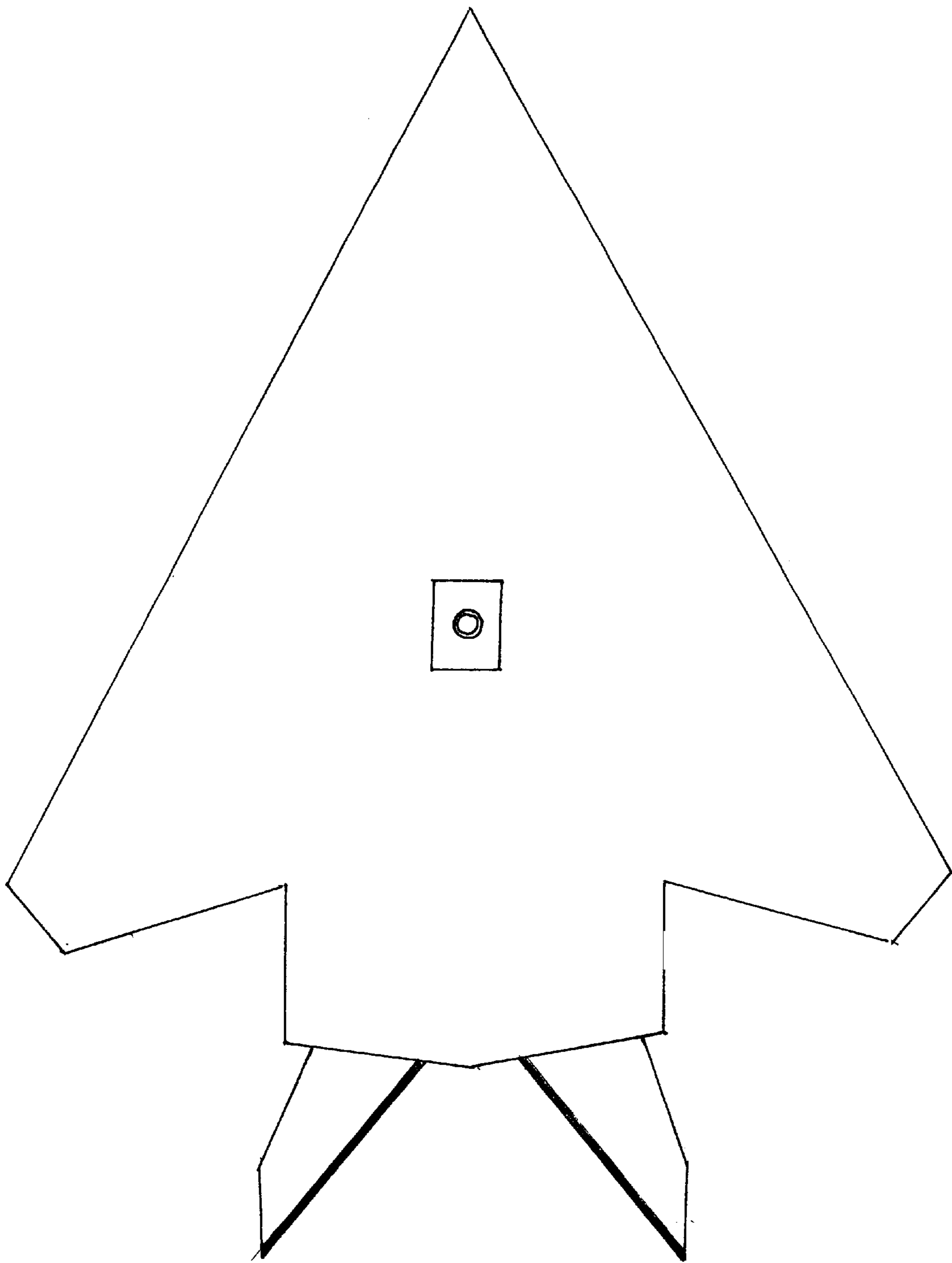


Fig. # 6