



US00D488725S

(12) **United States Design Patent**
Craig et al.

(10) **Patent No.:** **US D488,725 S**

(45) **Date of Patent:** **** Apr. 20, 2004**

(54) **TRANSMITTER FOR A LINE LOCATING SYSTEM**

(75) Inventors: **Sam Craig**, Milpitas, CA (US); **Joseph Molinari**, Redwood City, CA (US)

(73) Assignee: **Metrotech Corporation**, Sunnyvale, CA (US)

(**) Term: **14 Years**

(21) Appl. No.: **29/160,587**

(22) Filed: **May 13, 2002**

(51) **LOC (7) Cl.** **10-05**

(52) **U.S. Cl.** **D10/47**

(58) **Field of Search** D10/47; 324/326,
324/328-329

(56) **References Cited**

U.S. PATENT DOCUMENTS

3,662,255	A	*	5/1972	Garrett	324/328
3,823,365	A	*	7/1974	Anderson	324/328
D240,119	S	*	6/1976	Yue	D10/47
4,387,340	A	*	6/1983	Peterman	324/326
D282,246	S	*	1/1986	Thomas et al.	D10/47
5,430,379	A	*	7/1995	Parkinson et al.	324/329
D377,908	S	*	2/1997	Yue	D10/47
5,920,194	A	*	7/1999	Lewis et al.	324/326
D459,244	S	*	6/2002	Rigby	D10/47
6,496,008	B1	*	12/2002	Brune et al.	324/326
D475,936	S	*	6/2003	Craig et al.	D10/47

* cited by examiner

Primary Examiner—Nelson C. Holtje
(74) *Attorney, Agent, or Firm*—Finnegan, Henderson, Farabow, Garrett & Dunner L.L.P.

(57) **CLAIM**

The ornamental design for a transmitter for a line locating system, as shown and described.

DESCRIPTION

FIG. 1 is a left side view of the new transmitter for a line locating system from the front.

FIG. 2 is a right side view of the new transmitter for a line locating system from the back.

FIG. 3 is a front view of the new transmitter for a line locating system.

FIG. 4 is a left side view of the new transmitter for a line locating system.

FIG. 5 is a back side view of the new transmitter for a line locating system.

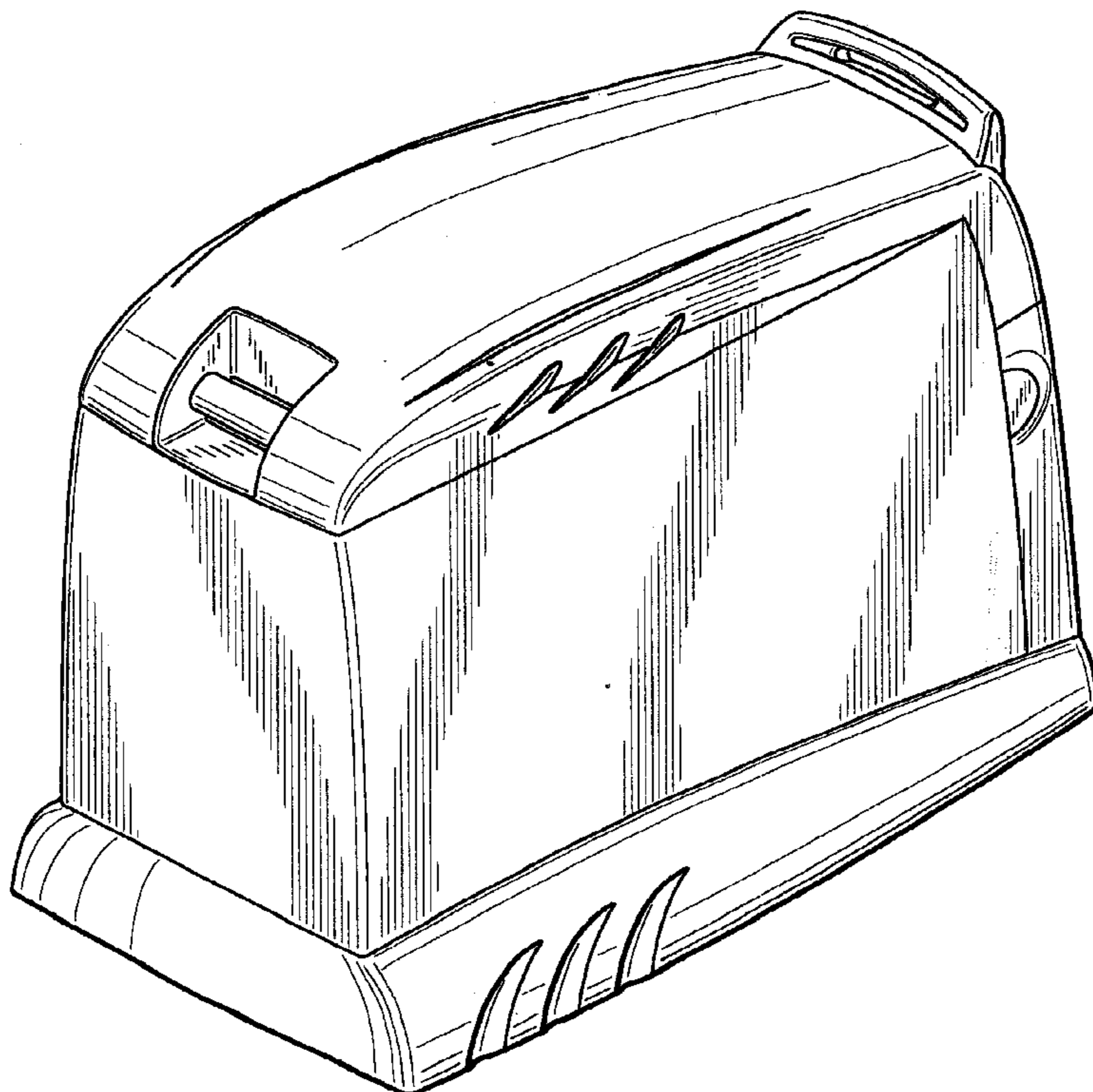
FIG. 6 is a right side view of the new transmitter for a line locating system.

FIG. 7 is a top view of the new transmitter for a line locating system.

FIG. 8 is a bottom view of the new transmitter for a line locating system; and,

FIG. 9 is a right side view of another embodiment of the new transmitter for a line locating system from the back with coloration, for example orange and black, depicted by the shaded and unshaded regions, for example the shaded region depicting orange and the unshaded region depicting black.

1 Claim, 6 Drawing Sheets



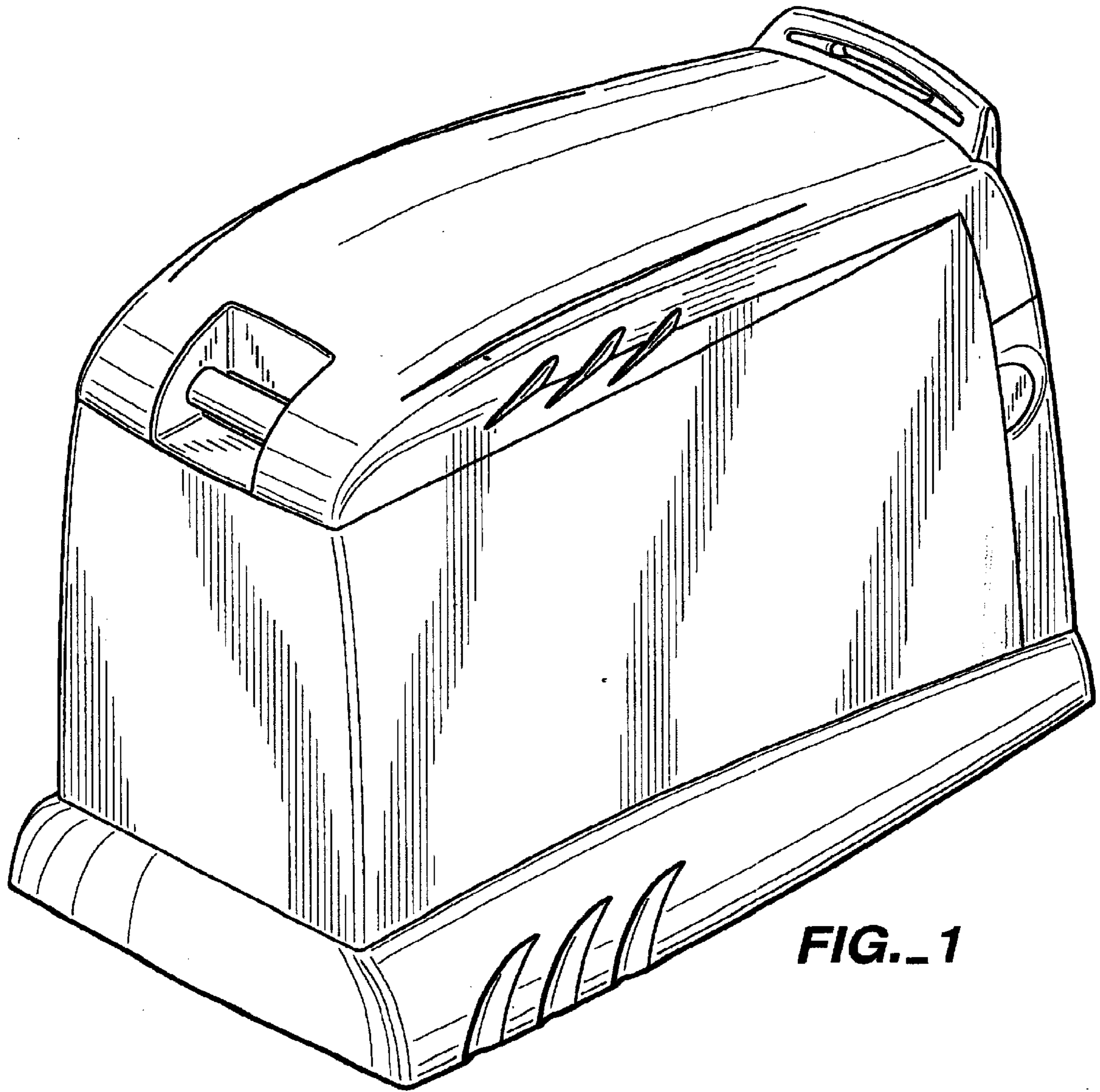


FIG. 1

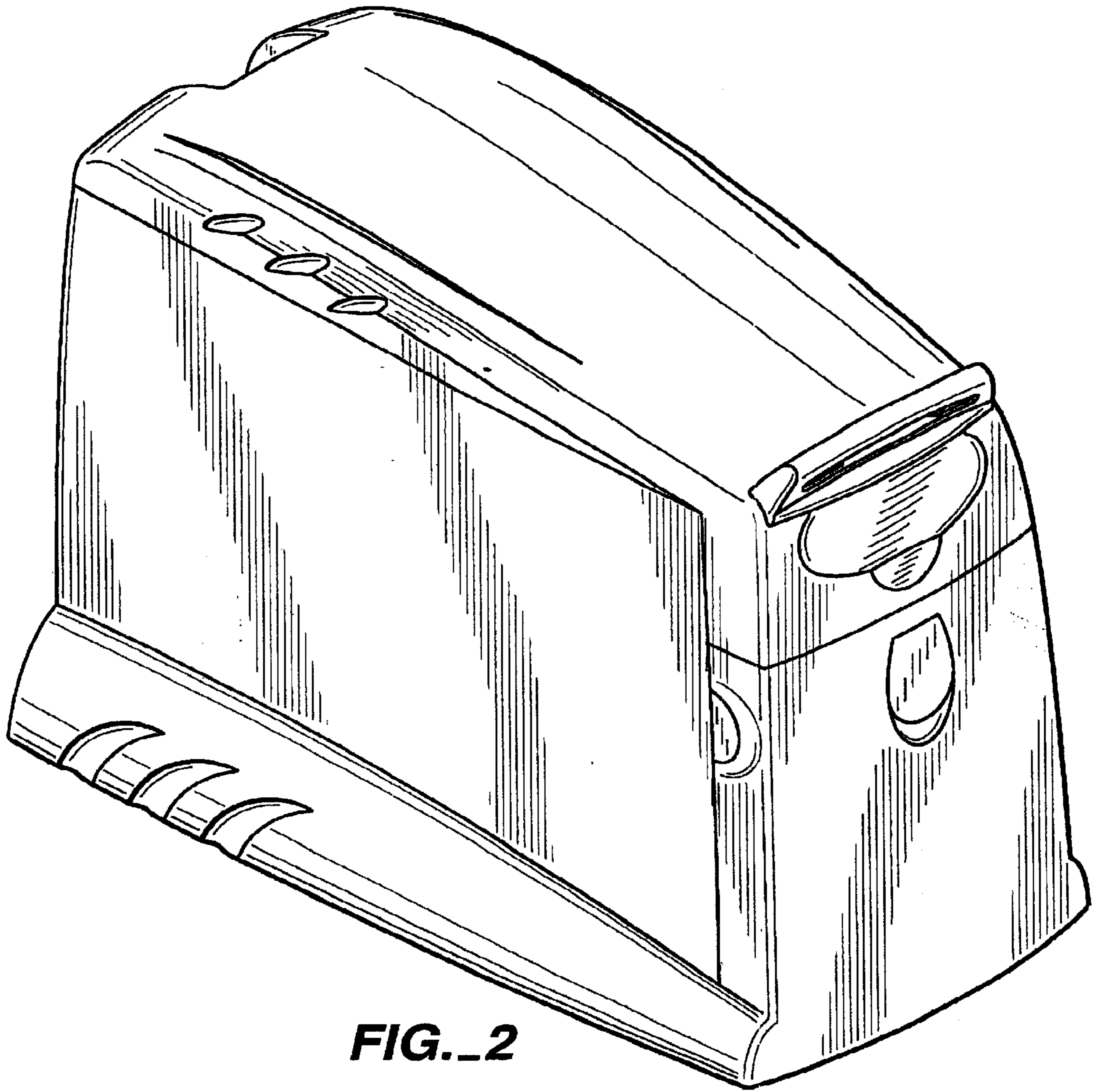


FIG._2

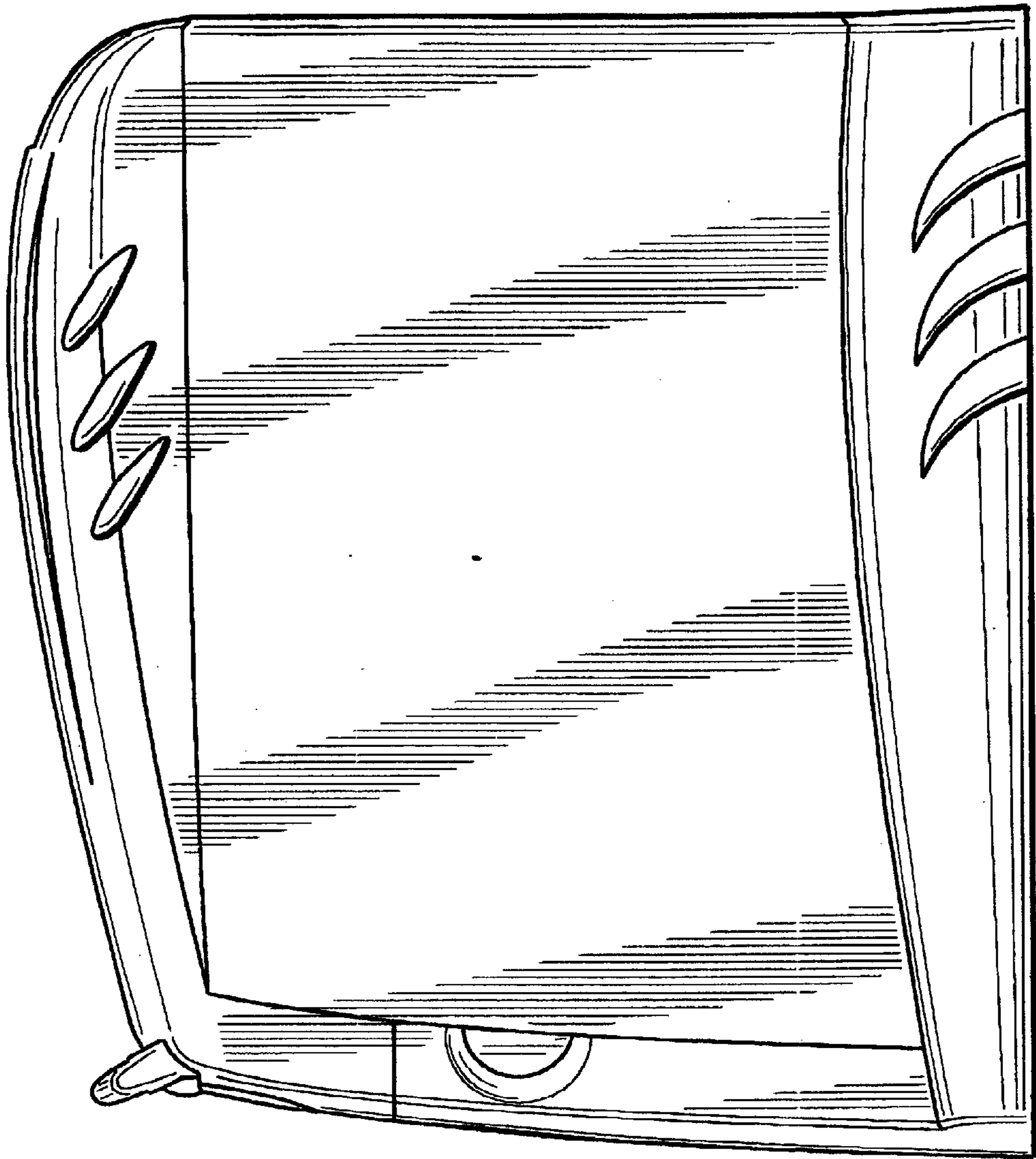


FIG. 6

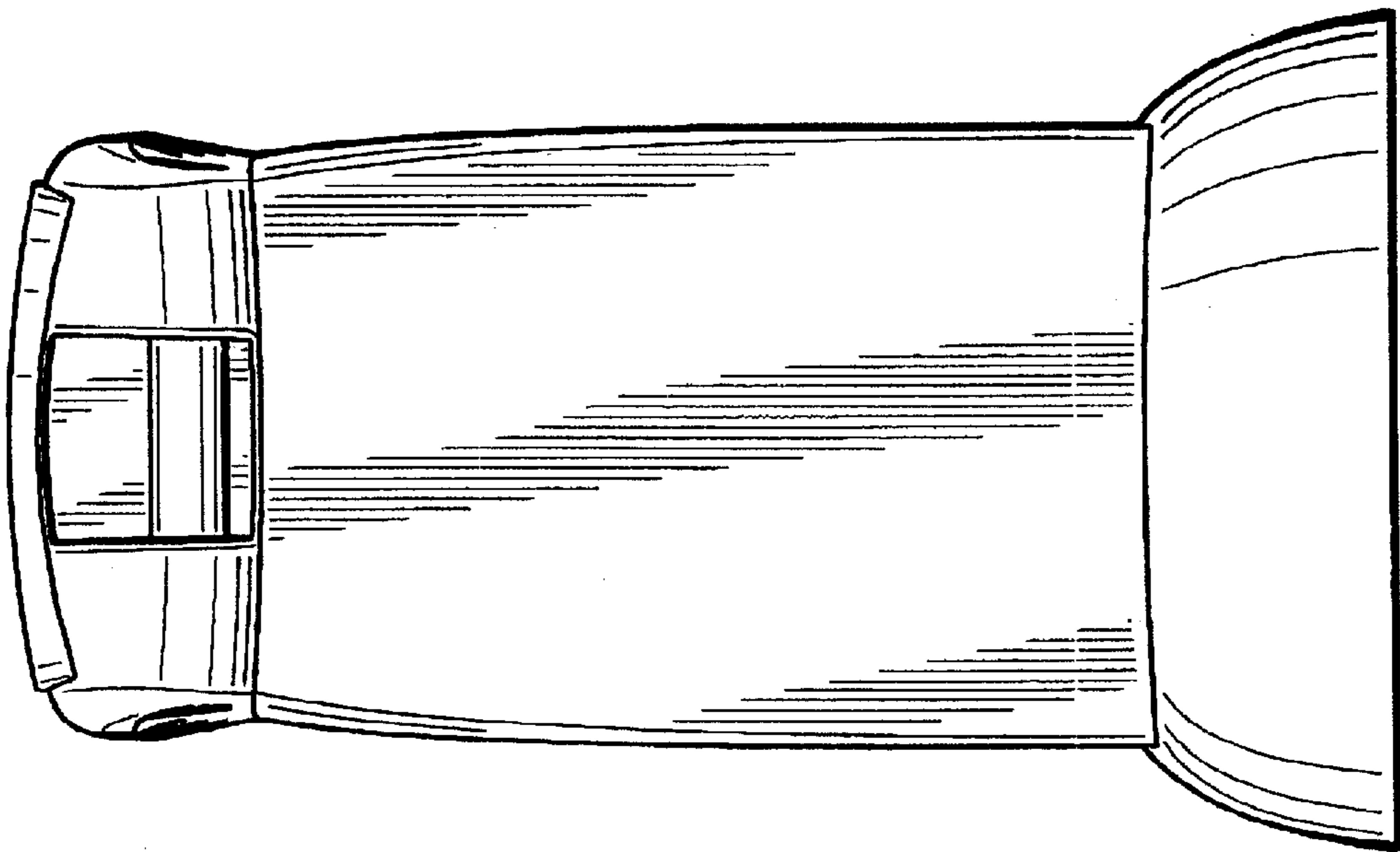


FIG. 3

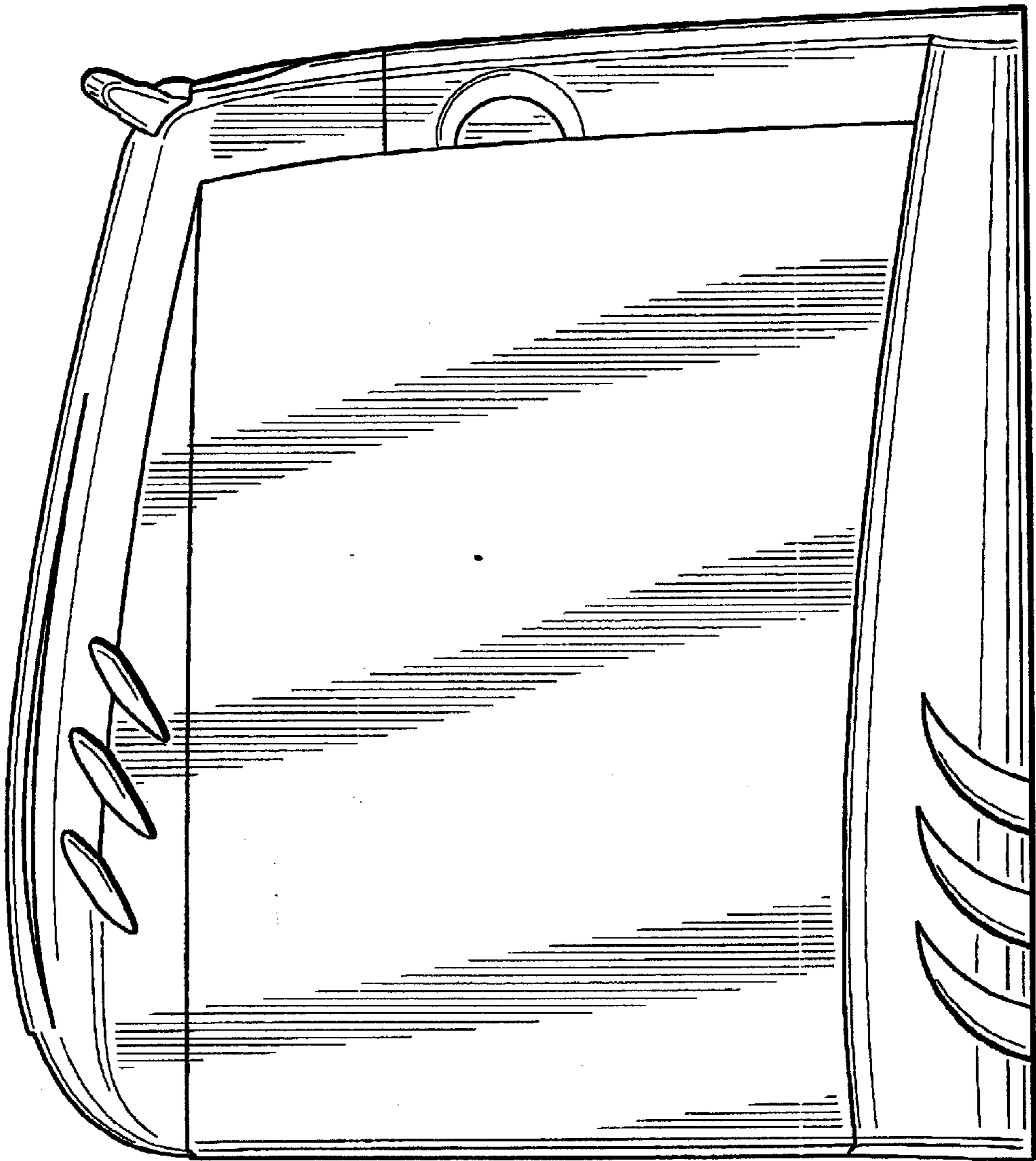


FIG. 4

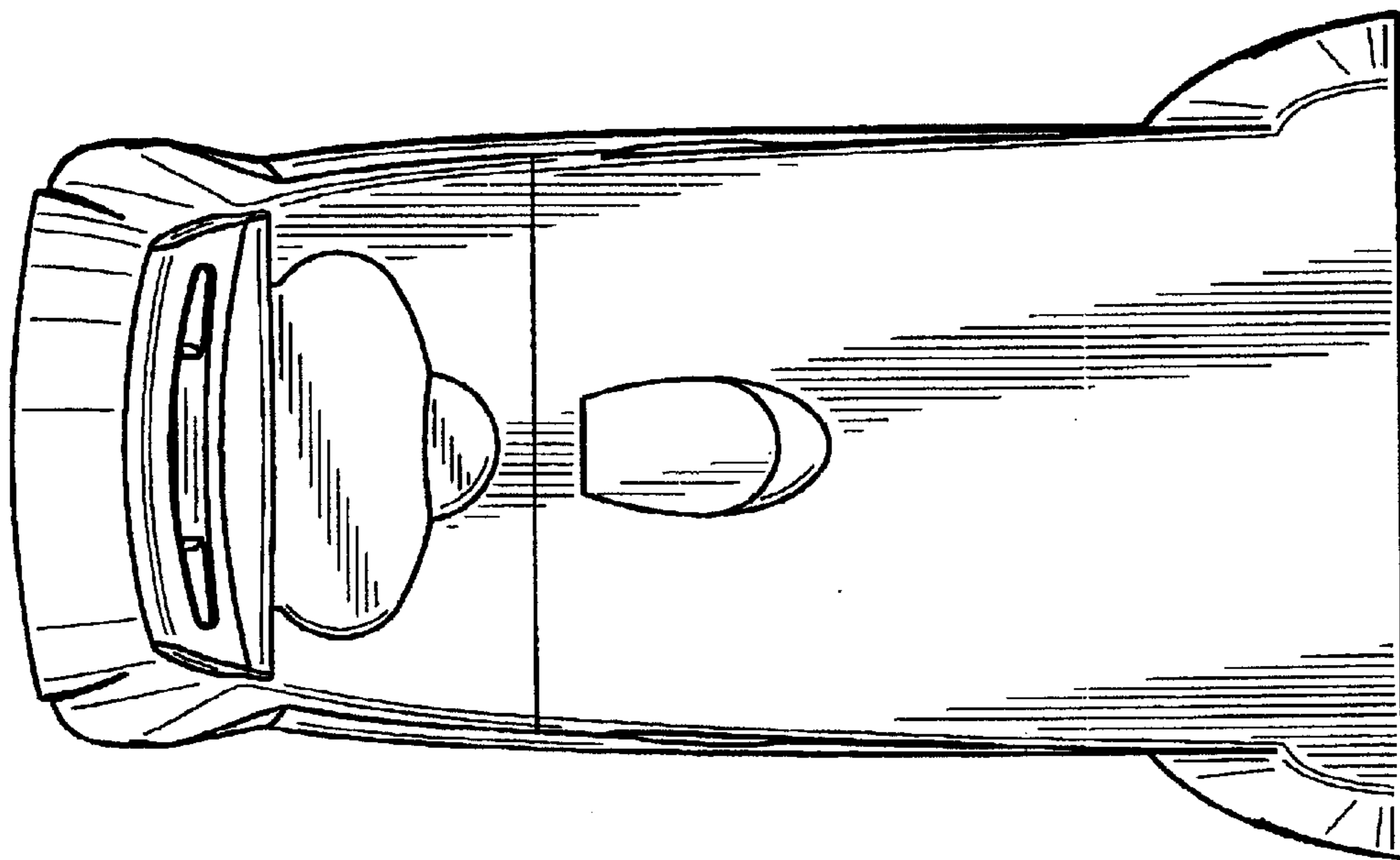


FIG. 5

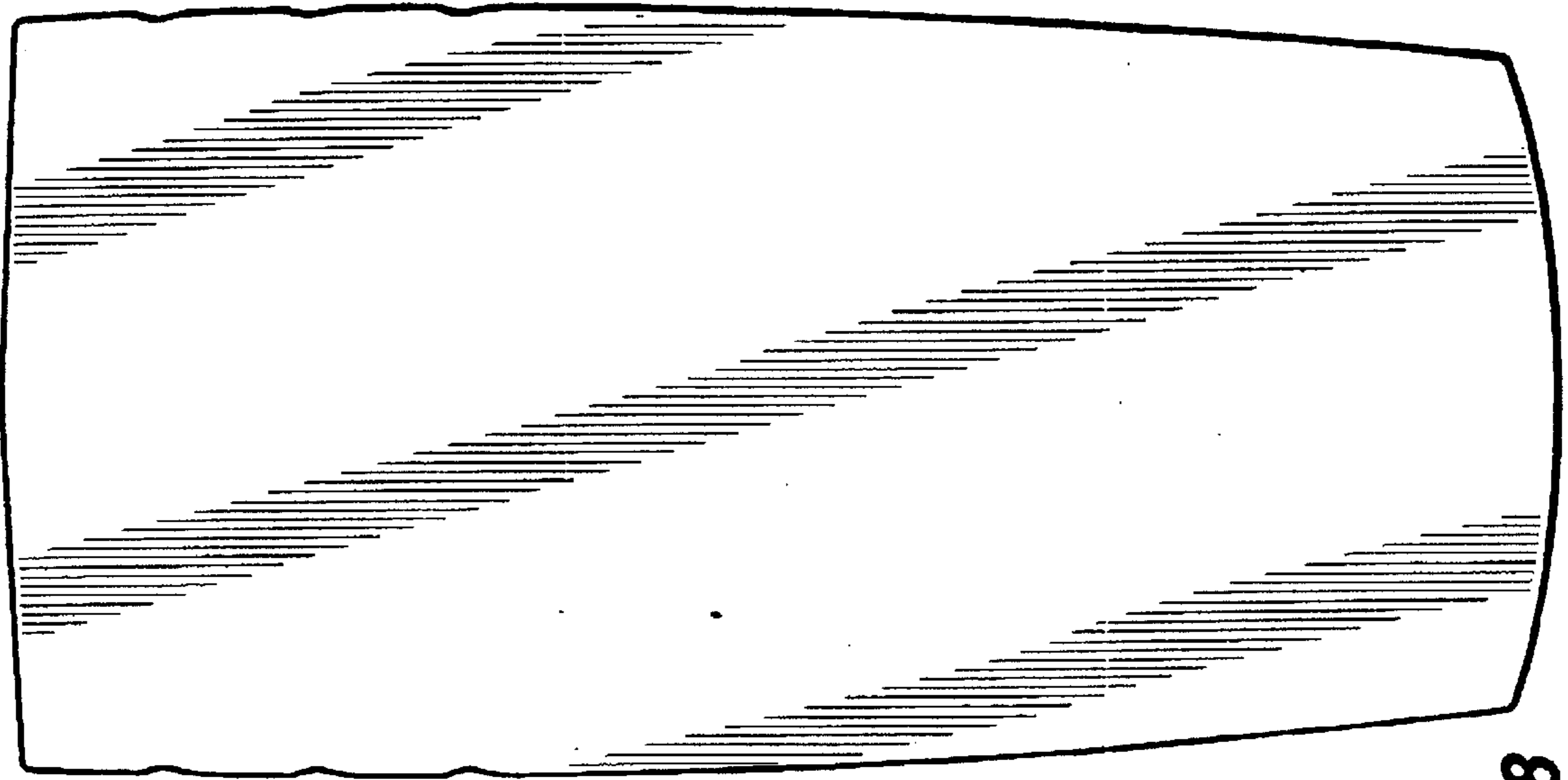


FIG. 8

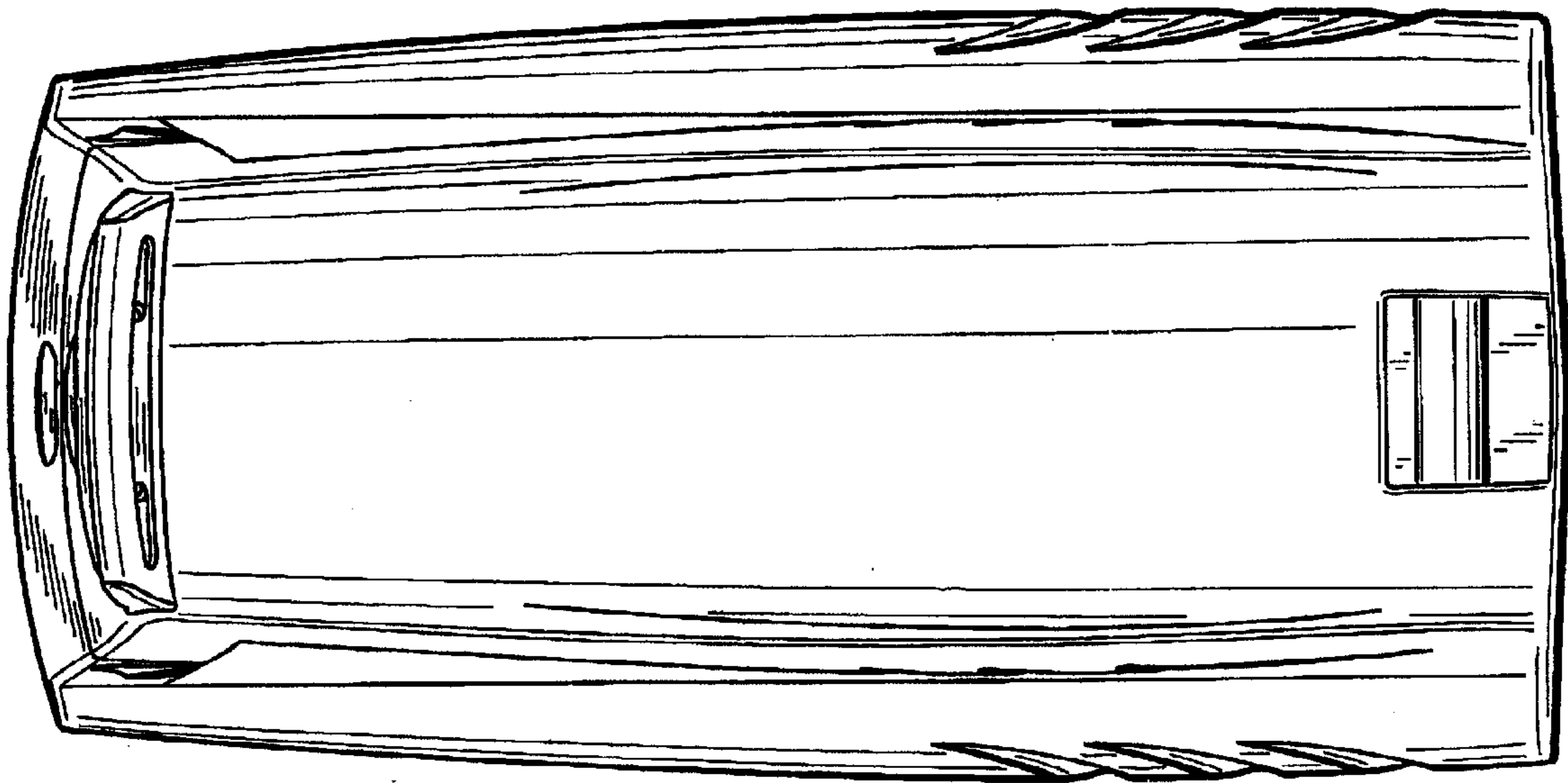


FIG. 7

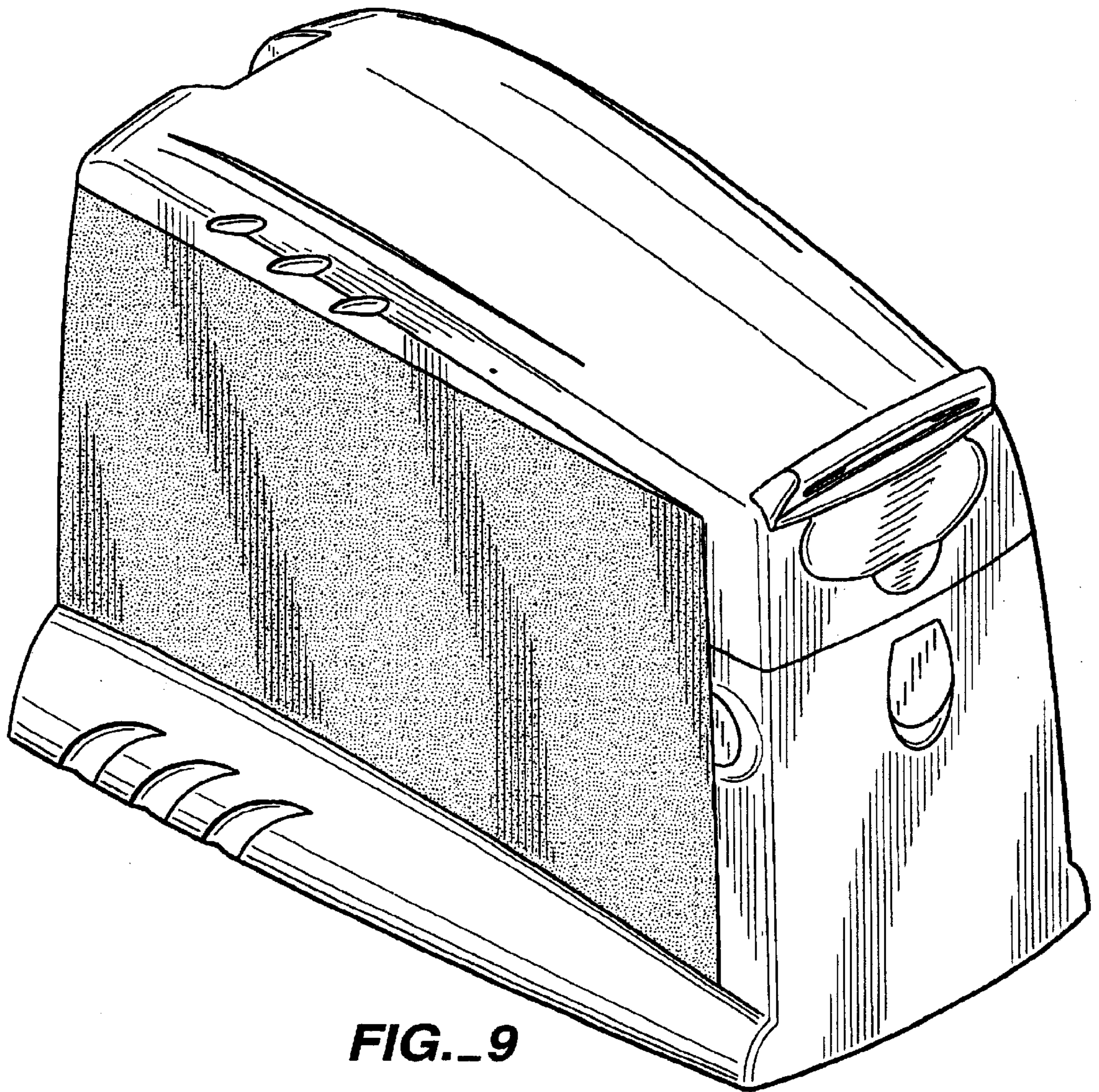


FIG._9