



US00D488721S

(12) **United States Design Patent**
Peronek

(10) **Patent No.:** **US D488,721 S**

(45) **Date of Patent:** **** Apr. 20, 2004**

(54) **BOTTLE FLANGE**

(75) Inventor: **Michael H. Peronek**, Brunswick, OH (US)

(73) Assignee: **FCI, Inc.**, Cleveland, OH (US)

(**) Term: **14 Years**

(21) Appl. No.: **29/175,006**

(22) Filed: **Jan. 28, 2003**

(51) **LOC (7) Cl.** **09-01**

(52) **U.S. Cl.** **D9/516**

(58) **Field of Search** D9/500-505, 515-516, D9/530, 540, 549, 559; 215/40-43, 379-383, 400; 220/890

(56) **References Cited**

U.S. PATENT DOCUMENTS

D47,282 S	*	5/1915	Buermann	D30/140
2,106,464 A		8/1935	Meyer		
2,350,475 A	*	6/1944	Rabazzana	174/152 S
D181,718 S		12/1957	DuPree		
D182,882 S		5/1958	DuPree		
D192,942 S		5/1962	DuPree		
D200,819 S	*	4/1965	Perun	D9/434
3,262,247 A		7/1966	Scholle		
3,499,567 A		3/1970	Spotts		
D272,521 S		2/1984	Glenn		
4,576,296 A	*	3/1986	Lecinski	215/43
D328,210 S	*	7/1992	Callon	D6/511
5,217,737 A		6/1993	Gygax et al.		
D377,603 S		1/1997	Smith		
5,718,348 A	*	2/1998	Manera	215/43

5,850,935 A	*	12/1998	Luburic et al.	220/890
5,887,739 A	*	3/1999	Prevot et al.	215/382
5,913,438 A		6/1999	Beck et al.		
5,989,661 A		11/1999	Krishnakumar et al.		
5,996,796 A		12/1999	Kvitrud et al.		
6,105,800 A	*	8/2000	Czesak	215/42
D451,025 S	*	11/2001	Meeker et al.	D9/500
D458,540 S	*	6/2002	Clements et al.	D9/516
D463,984 S	*	10/2002	Kokubo et al.	D9/549
D481,635 S	*	11/2003	Lovelace et al.	D9/516

* cited by examiner

Primary Examiner—Sandra L. Morris

(74) *Attorney, Agent, or Firm*—Fay, Sharpe, Fagan, Minnich & McKee

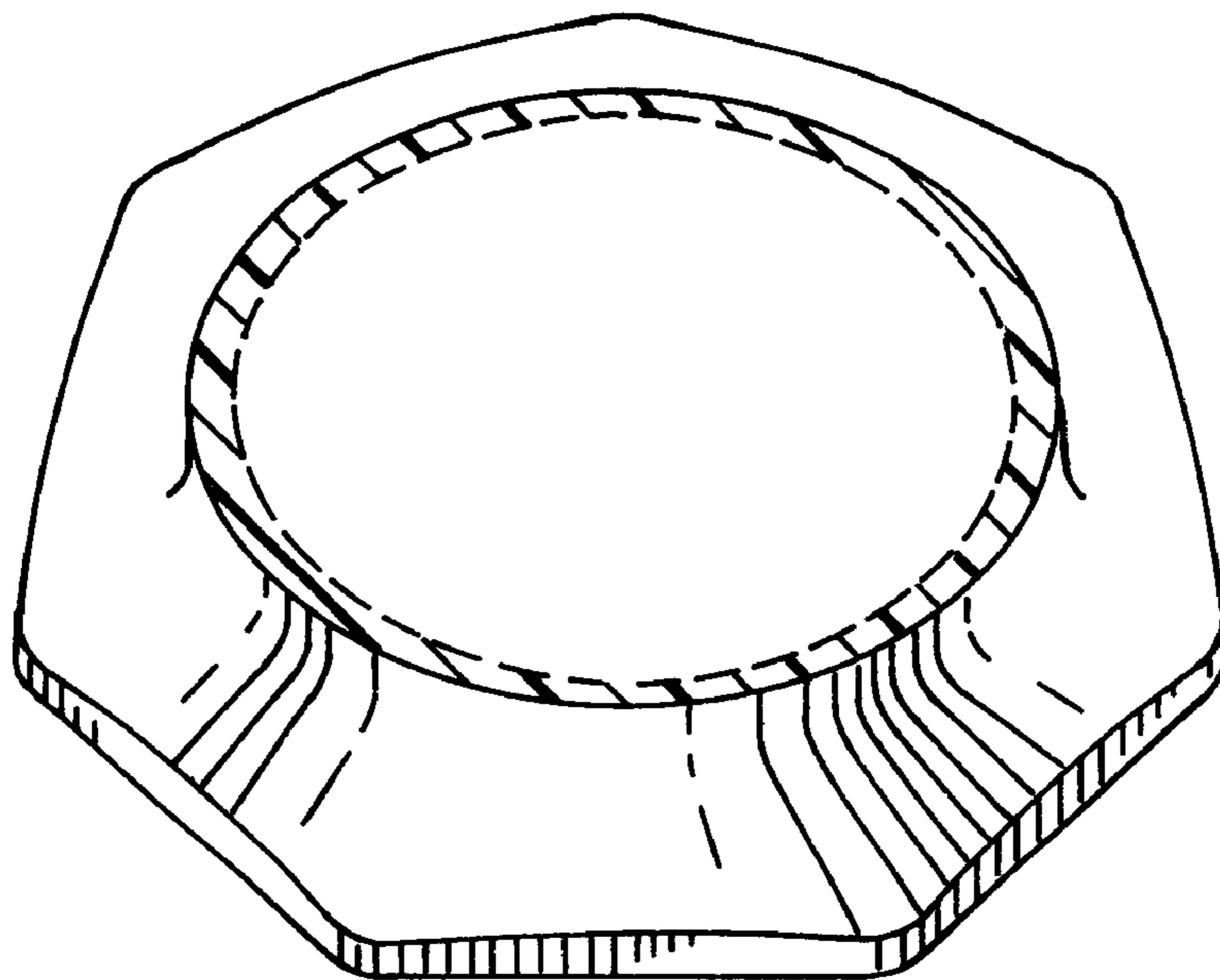
(57) **CLAIM**

The ornamental design for a bottle flange, as shown and described.

DESCRIPTION

FIG. 1 is an elevational view of the neck portion of a bottle flange in accordance with the present invention;
 FIG. 2 is an enlarged top perspective view of the bottle flange illustrated in FIG. 1;
 FIG. 3 is a top plan view of the bottle flange illustrated in FIG. 2;
 FIG. 4 is a side view of the bottle flange illustrated in FIG. 2; and,
 FIG. 5 is a bottom plan view of the bottle flange illustrated in FIG. 2.
 The broken line showing is for illustrative purposes only, and forms no part of the claimed design.

1 Claim, 2 Drawing Sheets



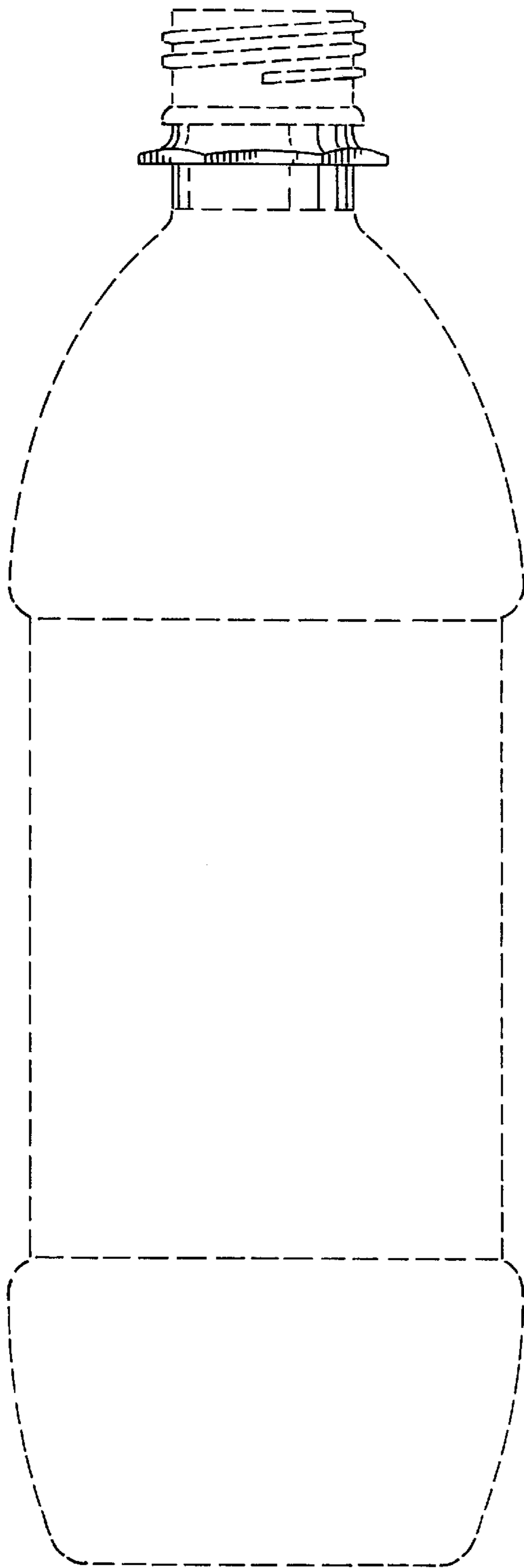


FIG. 1

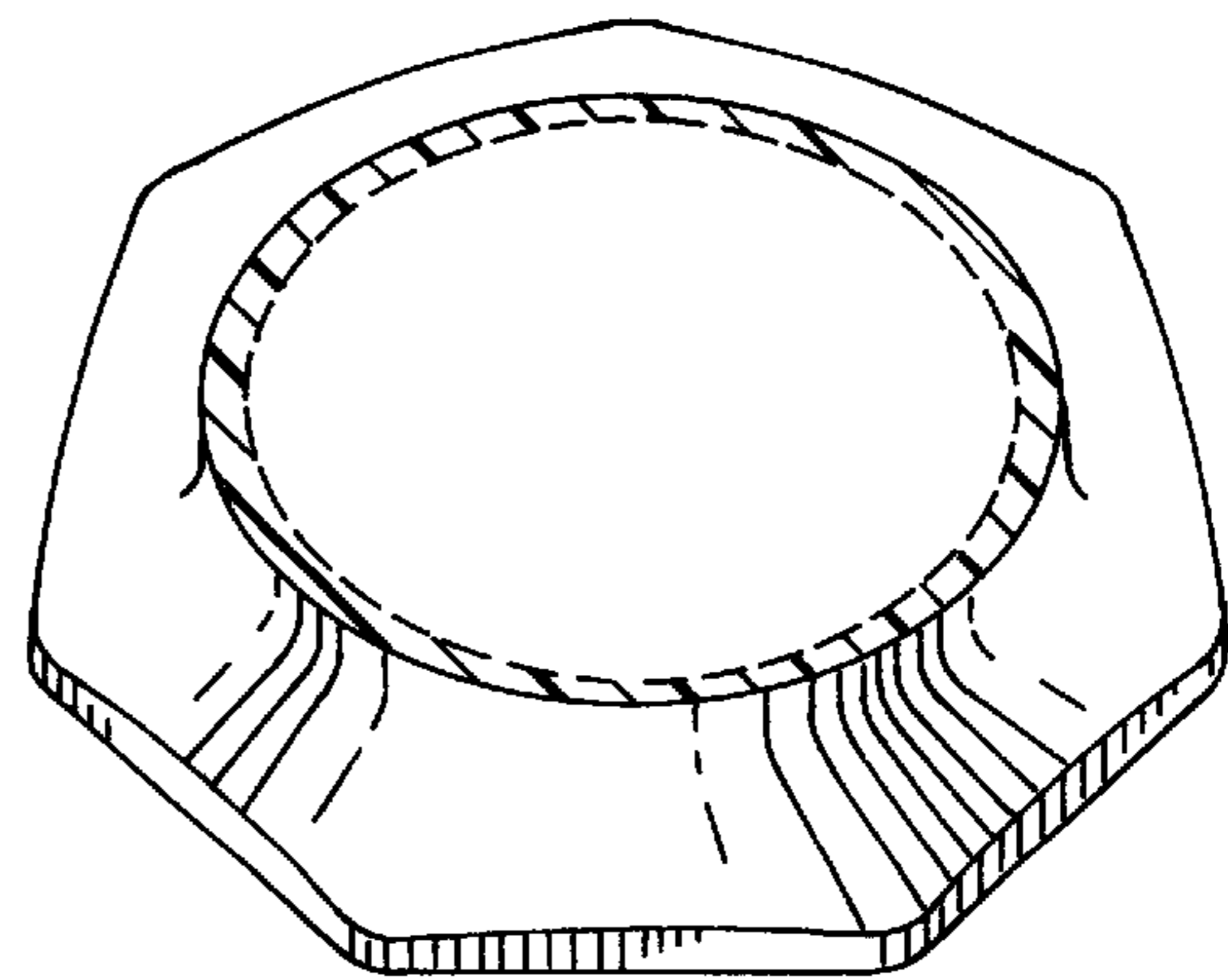


FIG. 2

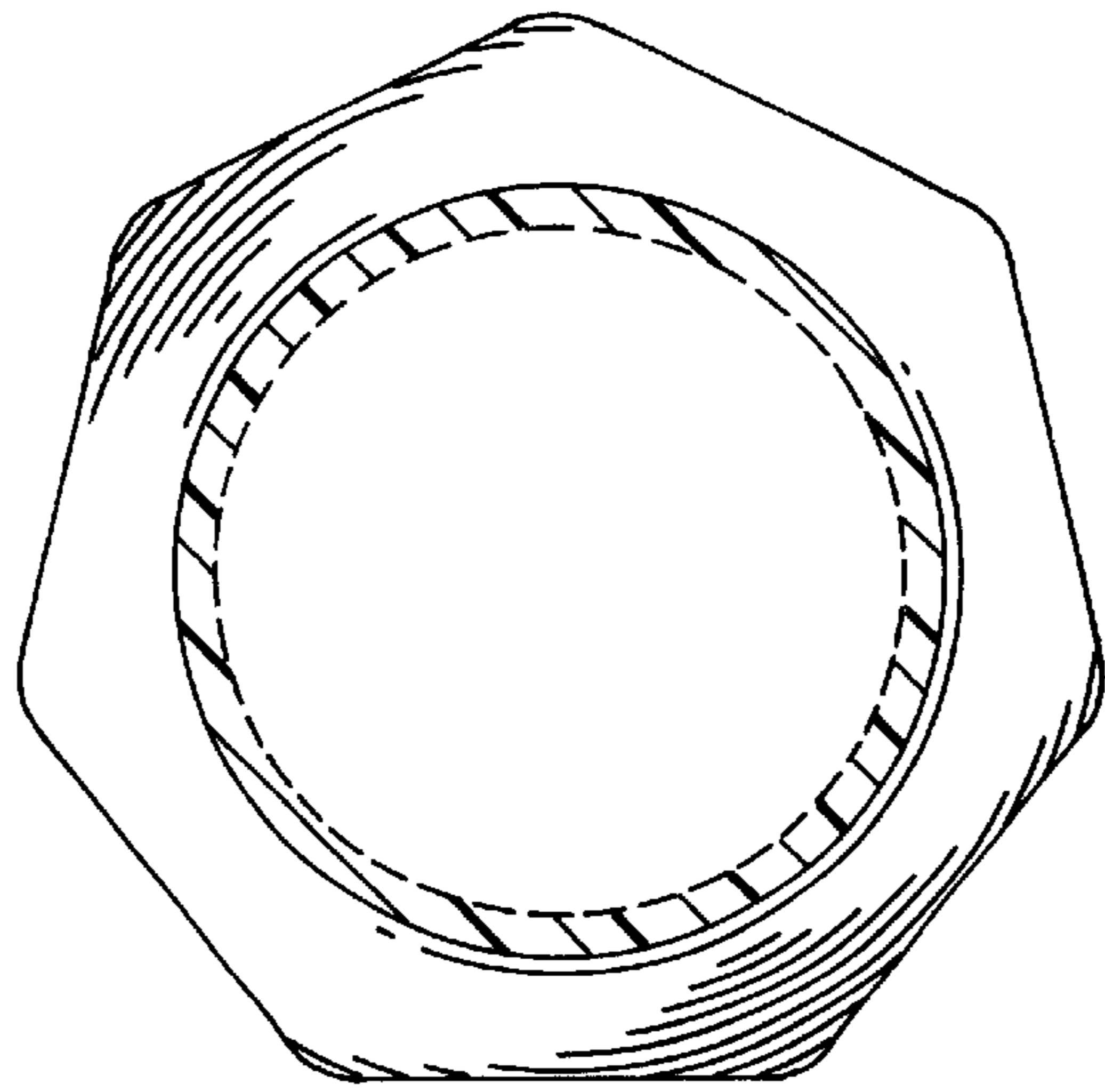


FIG. 3

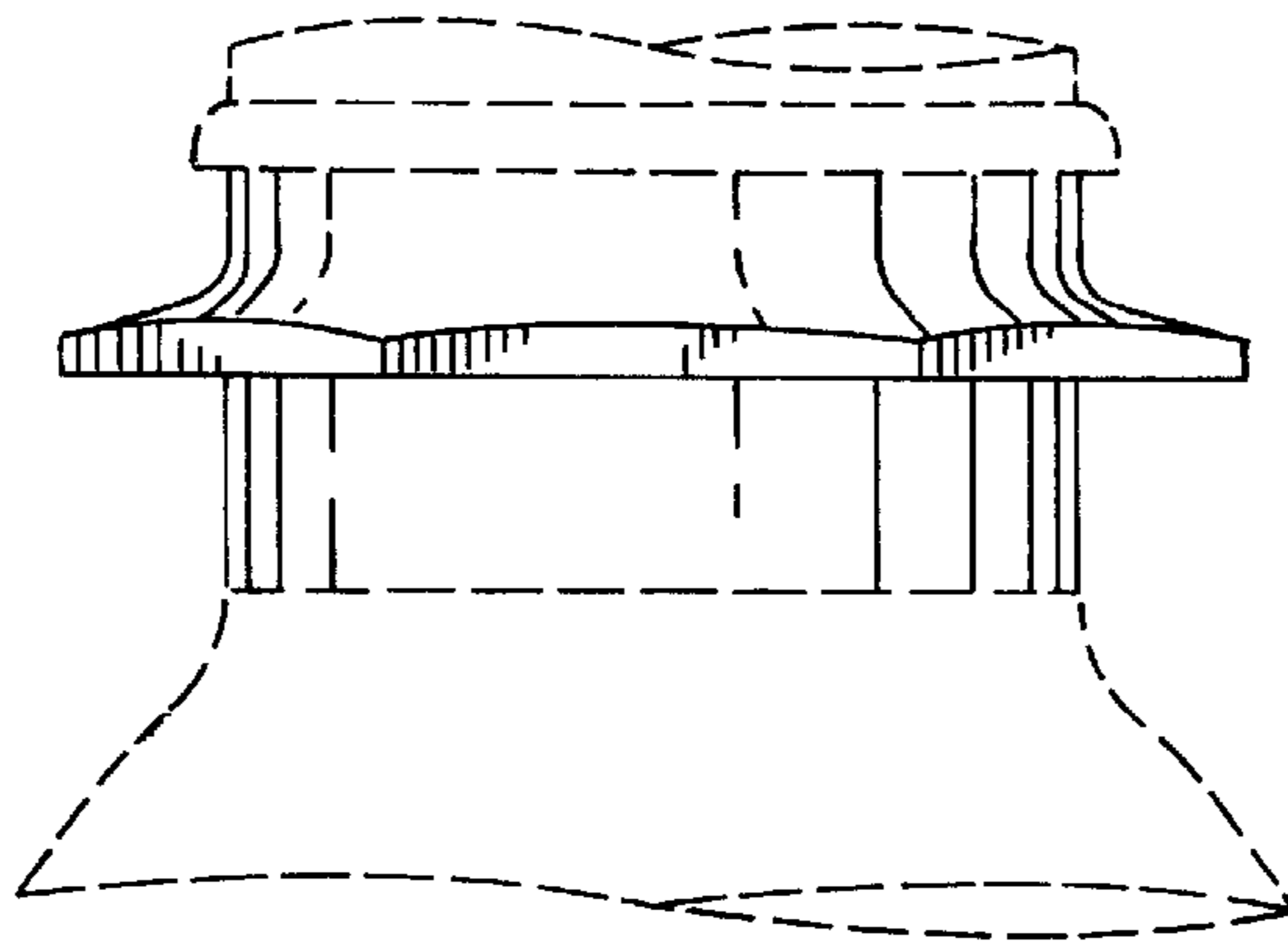


FIG. 4

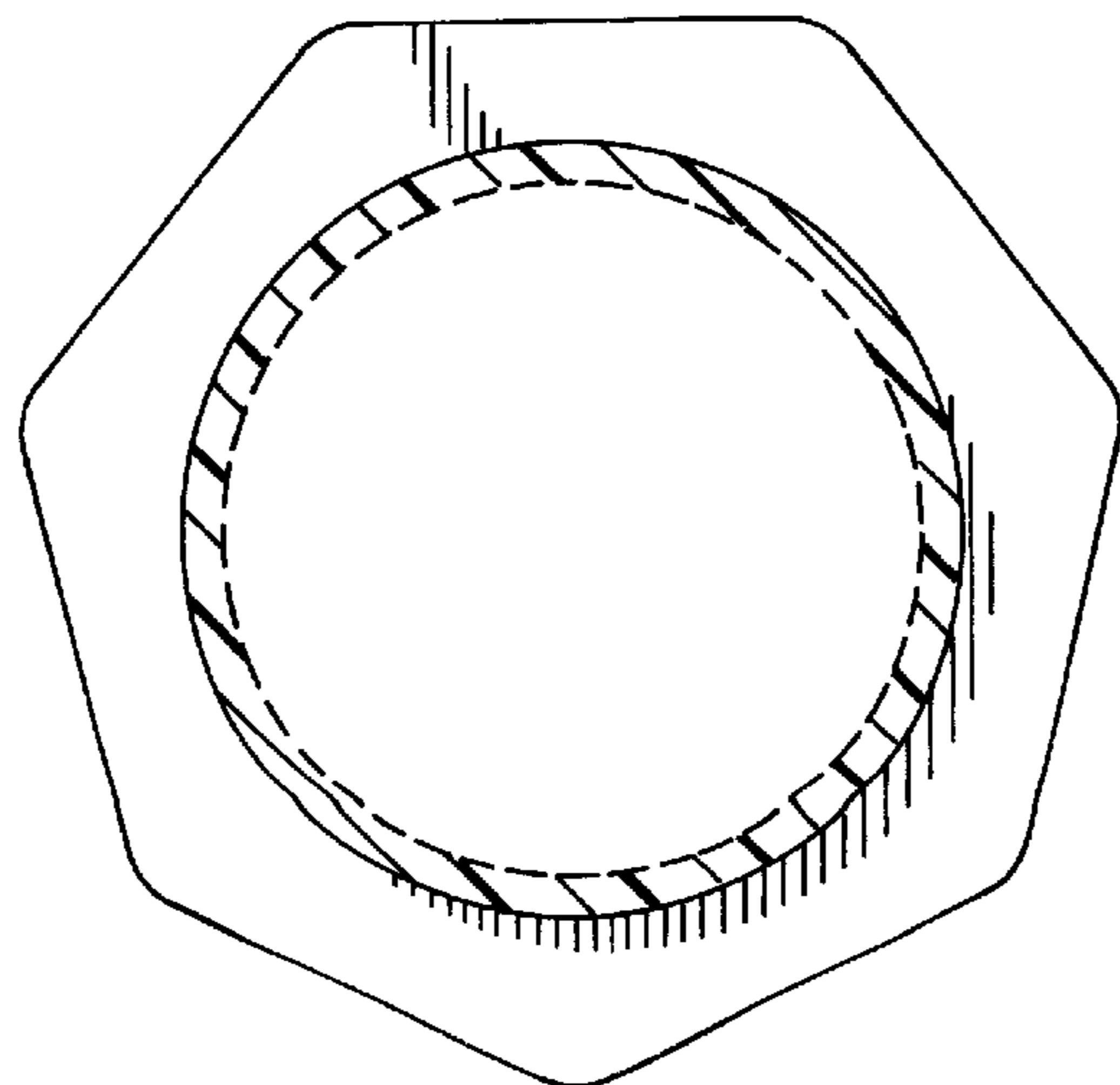


FIG. 5