



US00D488716S

(12) **United States Design Patent**  
**Dretzka**

(10) **Patent No.:** **US D488,716 S**

(45) **Date of Patent:** **\*\* Apr. 20, 2004**

(54) **PUMP DEVICE**

D477,991 S \* 8/2003 Dretzka ..... D9/300

(75) Inventor: **Philip C. Dretzka**, Cleveland Heights, OH (US)

\* cited by examiner

*Primary Examiner*—Paula A. Mortimer

(73) Assignee: **InterDesign, Inc.**, Solon, OH (US)

(74) *Attorney, Agent, or Firm*—D. Peter Hochberg; Sean Mellino; Katherine R. Vieyra

(\*\*) Term: **14 Years**

(57) **CLAIM**

(21) Appl. No.: **29/181,182**

The ornamental design for a pump device, as shown and described.

(22) Filed: **May 6, 2003**

**Related U.S. Application Data**

**DESCRIPTION**

(63) Continuation of application No. 29/165,390, filed on Aug. 9, 2002, now Pat. No. Des. 477,990.

FIG. 1 is a perspective view of a pump device embodying this invention, with a phantom view of a container that may be used with the pump device;

(51) **LOC (7) Cl.** ..... **09-07**

FIG. 2 is a top view of the pump device shown in FIG. 1, with a phantom view of the container;

(52) **U.S. Cl.** ..... **D9/300**

FIG. 3 is a front elevation view of the pump device shown in FIG. 1, with a phantom view of the container;

(58) **Field of Search** ..... D9/300, 556, 558, D9/571-575, 542, 544, 545, 549, 447-449; 222/321.1-321.9, 212-213, 215, 257, 384; D6/542, 543, 544, 545; D28/91.1; D23/238, 255, 231

FIG. 4 is a right side elevation view of the pump device shown in FIG. 1, with a phantom view of the container;

FIG. 5 is a rear elevation view of the pump device shown in FIG. 1, with a phantom view of the container;

(56) **References Cited**

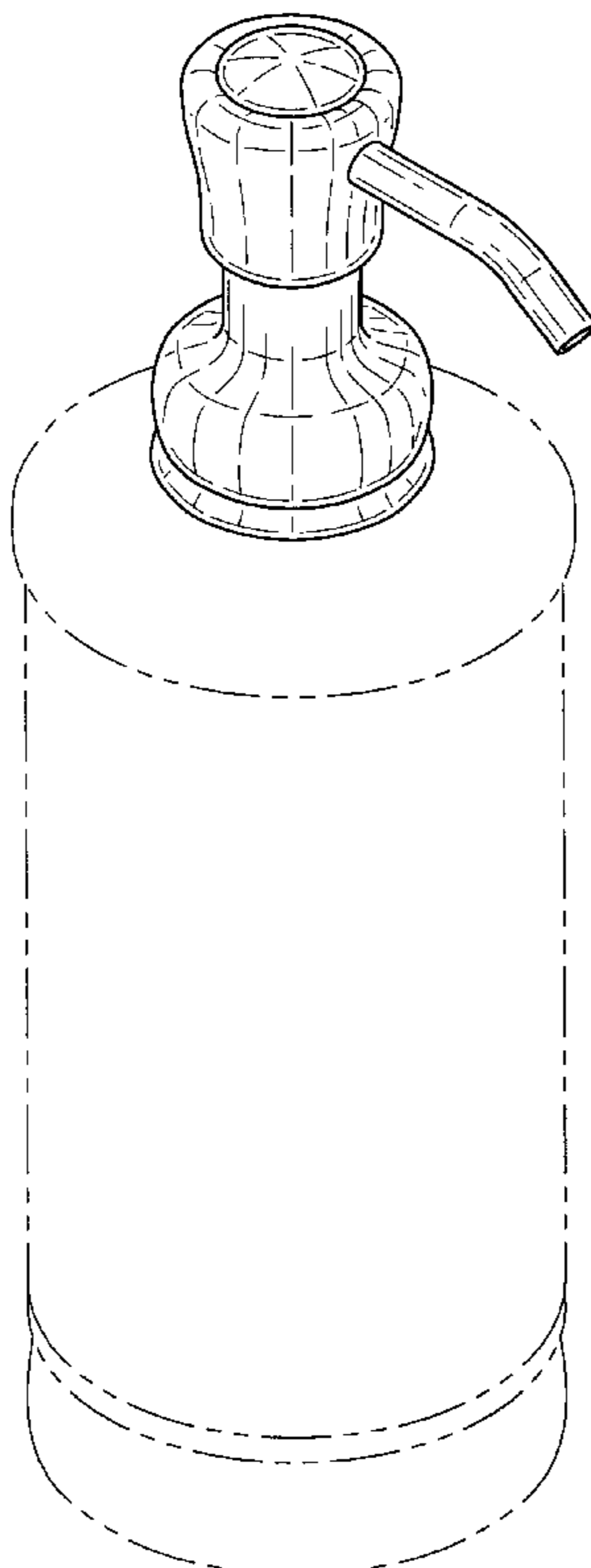
**U.S. PATENT DOCUMENTS**

- D426,093 S \* 6/2000 Cayouette ..... D6/542
- D466,191 S \* 11/2002 Lord ..... D23/238
- D477,778 S \* 7/2003 Dretzka ..... D9/300
- D477,990 S \* 8/2003 Dretzka ..... D9/300

FIG. 6 is a left side elevation view of the pump device shown in FIG. 1, with a phantom view of the container; and, FIG. 7 is a bottom view of the pump shown in FIG. 1.

The broken line showing of the container in FIGS. 1 through 6 is for illustrative purposes only and forms no part of the claimed design.

**1 Claim, 3 Drawing Sheets**



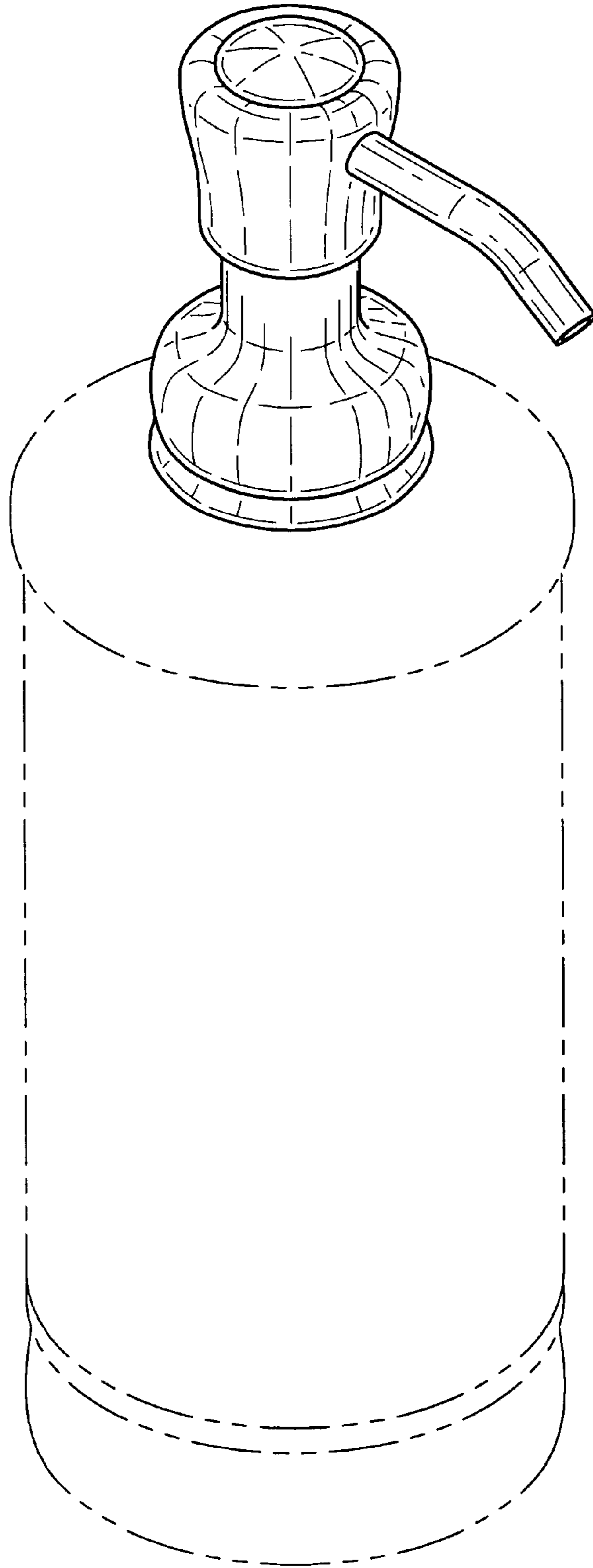


FIG-1

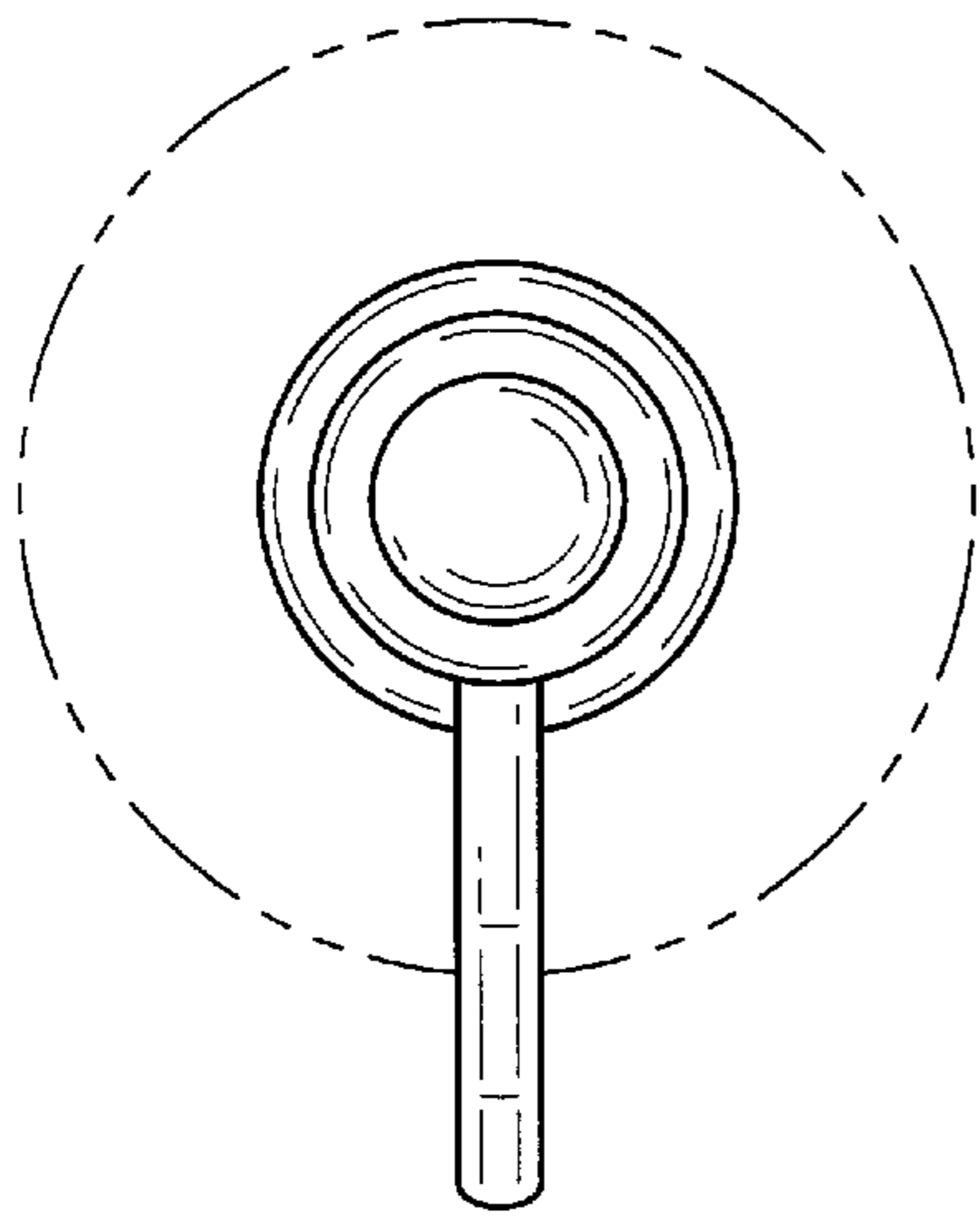


FIG-2

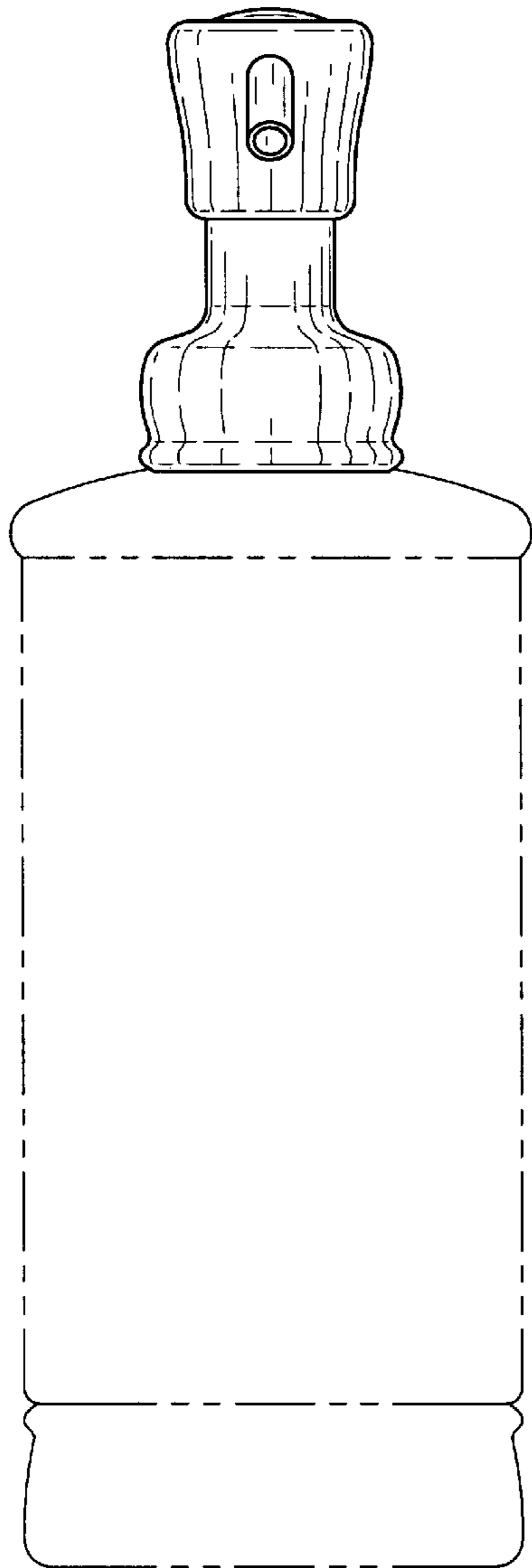


FIG-3

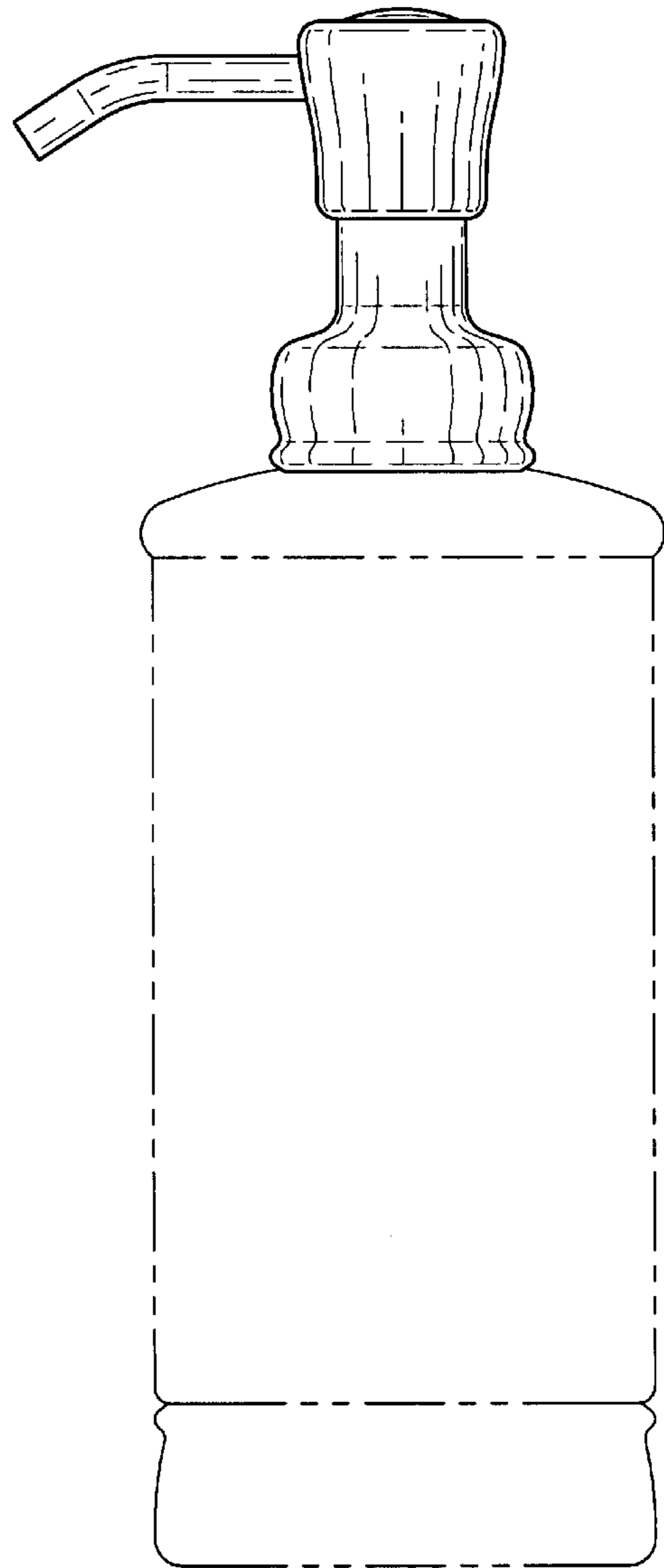


FIG-4

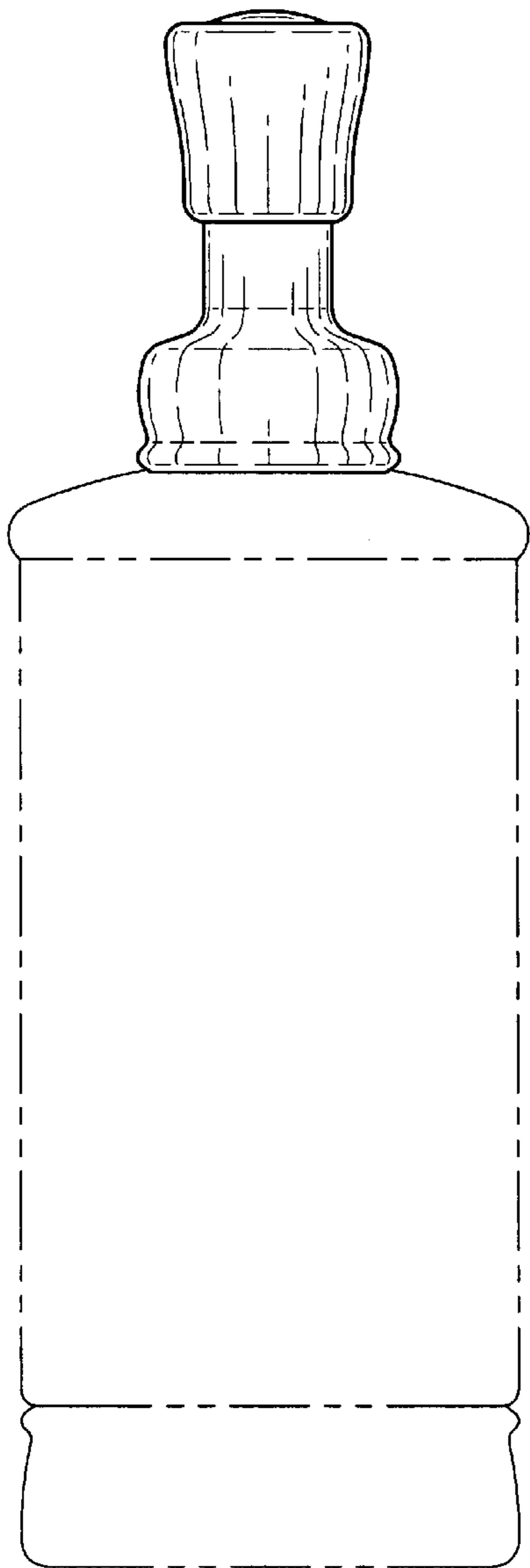


FIG-5

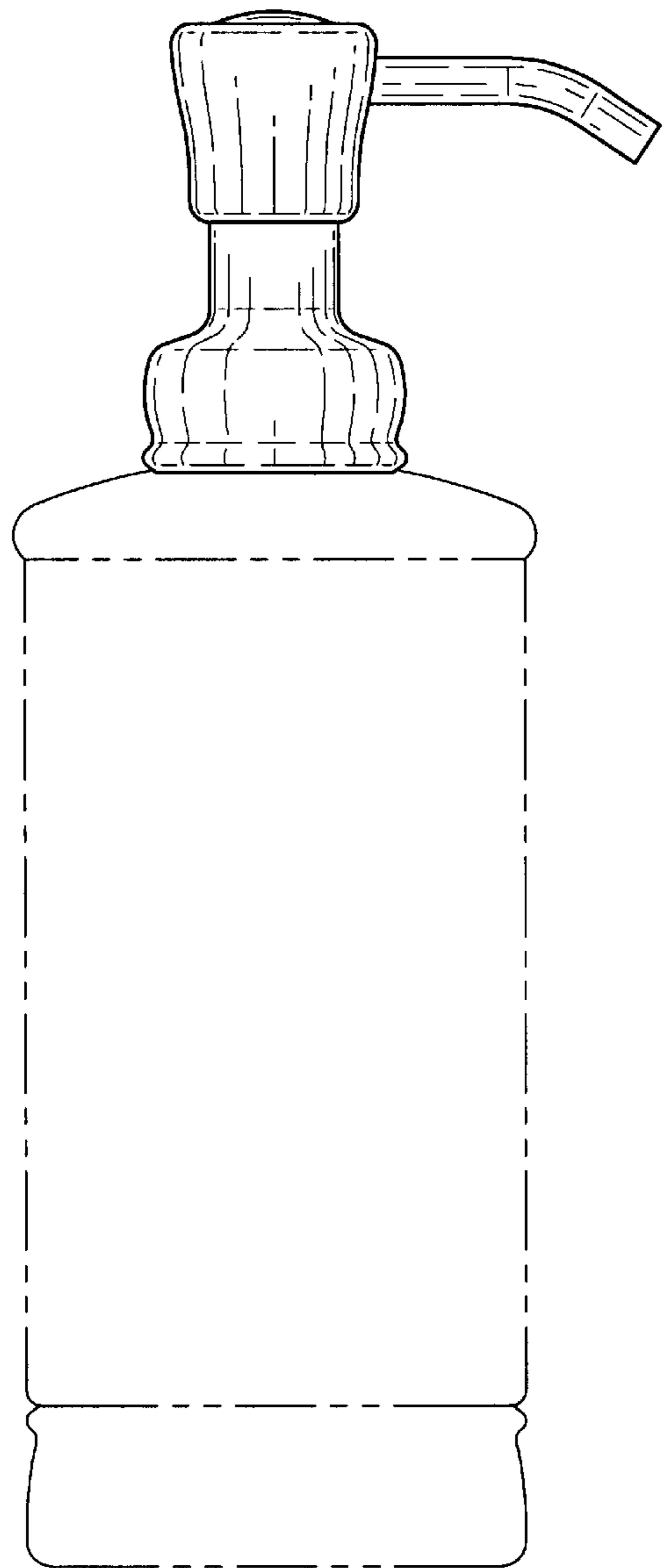


FIG-6

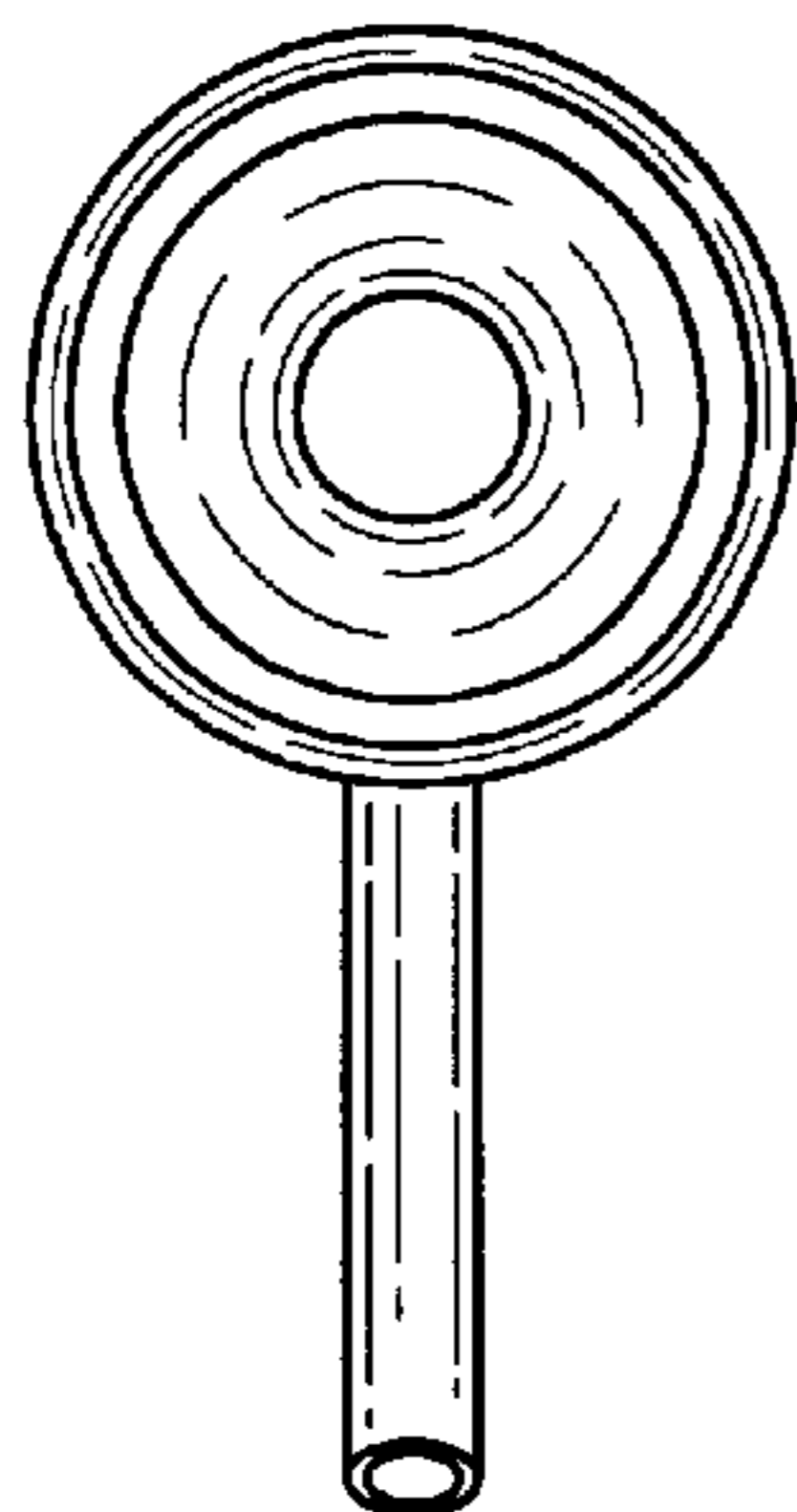


FIG-7