



US00D488715S

(12) **United States Design Patent**  
**Plumer**

(10) **Patent No.:** **US D488,715 S**

(45) **Date of Patent:** **\*\* Apr. 20, 2004**

(54) **VEHICLE WHEEL LUG-NUT HAVING A  
SPLINED KEY AND FRONTAL INDICIA**

D420,897 S \* 2/2000 Fuller et al. .... D8/397  
6,074,148 A \* 6/2000 Wilson ..... 411/533  
D449,515 S \* 10/2001 Sato ..... D8/397

(76) **Inventor:** **Mark J. Plumer**, 13010 S. Broadway,  
Los Angeles, CA (US) 90061

\* cited by examiner

(\*\*) **Term:** **14 Years**

*Primary Examiner*—Doris V. Coles  
*Assistant Examiner*—T. Chase Nelson

(21) **Appl. No.:** **29/152,659**

(57) **CLAIM**

(22) **Filed:** **Dec. 19, 2001**

The ornamental design for a vehicle wheel lug-nut having a splined key and frontal indicia, as shown and described.

(51) **LOC (7) Cl.** ..... **08-08**

**DESCRIPTION**

(52) **U.S. Cl.** ..... **D8/397**

(58) **Field of Search** ..... D8/382, 397, 399;  
411/81, 98, 103, 106, 145, 146, 172, 179,  
197, 204, 248, 337, 338, 368, 371.2, 372.5,  
418, 427, 429, 430, 431, 432, 436, 437,  
500, 511, 512, 514, 531, 532, 533, 535,  
536, 537, 538, 542, 544, 918, 928; 70/229;  
301/35.623, 111.01

FIG. 1 is a perspective view of a vehicle wheel lug-nut having a splined key and frontal indicia showing my new design;

FIG. 2 is a right side elevational view thereof; the left side being a mirror image;

FIG. 3 is a top plan view thereof; the bottom being a mirror image;

FIG. 4 is a front elevational view showing the location of a frontal indicia;

FIG. 5 is a rear side elevational view thereof.

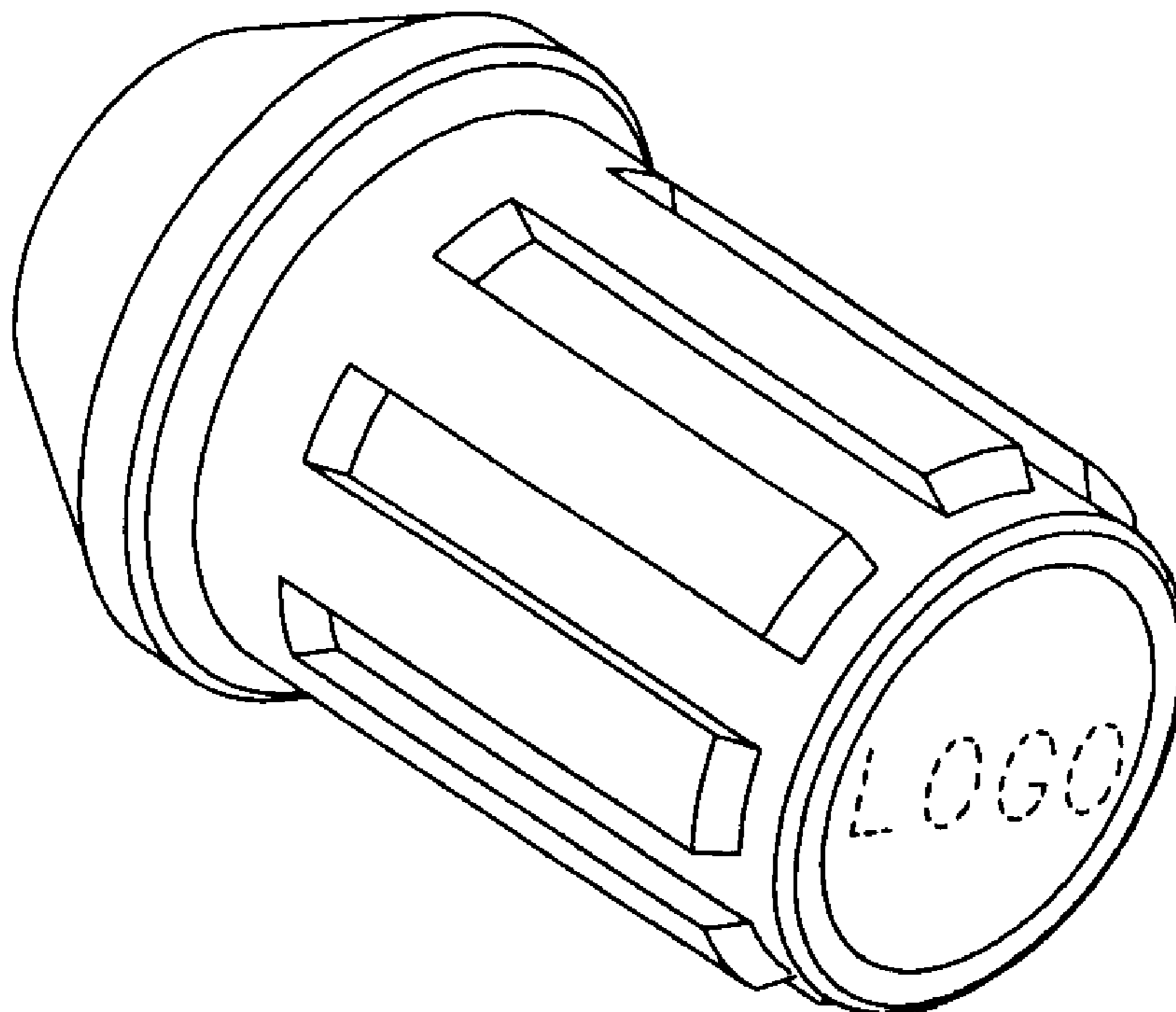
The word logo is shown in broken lines in FIGS. 1 and 4 to indicate that a specific Logo pertaining to a specific manufacturer or distributor will be included in the final vehicle wheel lug-nut.

(56) **References Cited**

**U.S. PATENT DOCUMENTS**

D234,486 S \* 3/1975 Hale, Sr. .... D8/397  
D241,520 S \* 9/1976 Fujita et al. .... D8/397  
D268,565 S \* 4/1983 Mortus ..... D8/397  
4,764,070 A \* 8/1988 Baltzell ..... 411/430  
4,813,835 A \* 3/1989 Toth ..... 411/432

**1 Claim, 1 Drawing Sheet**



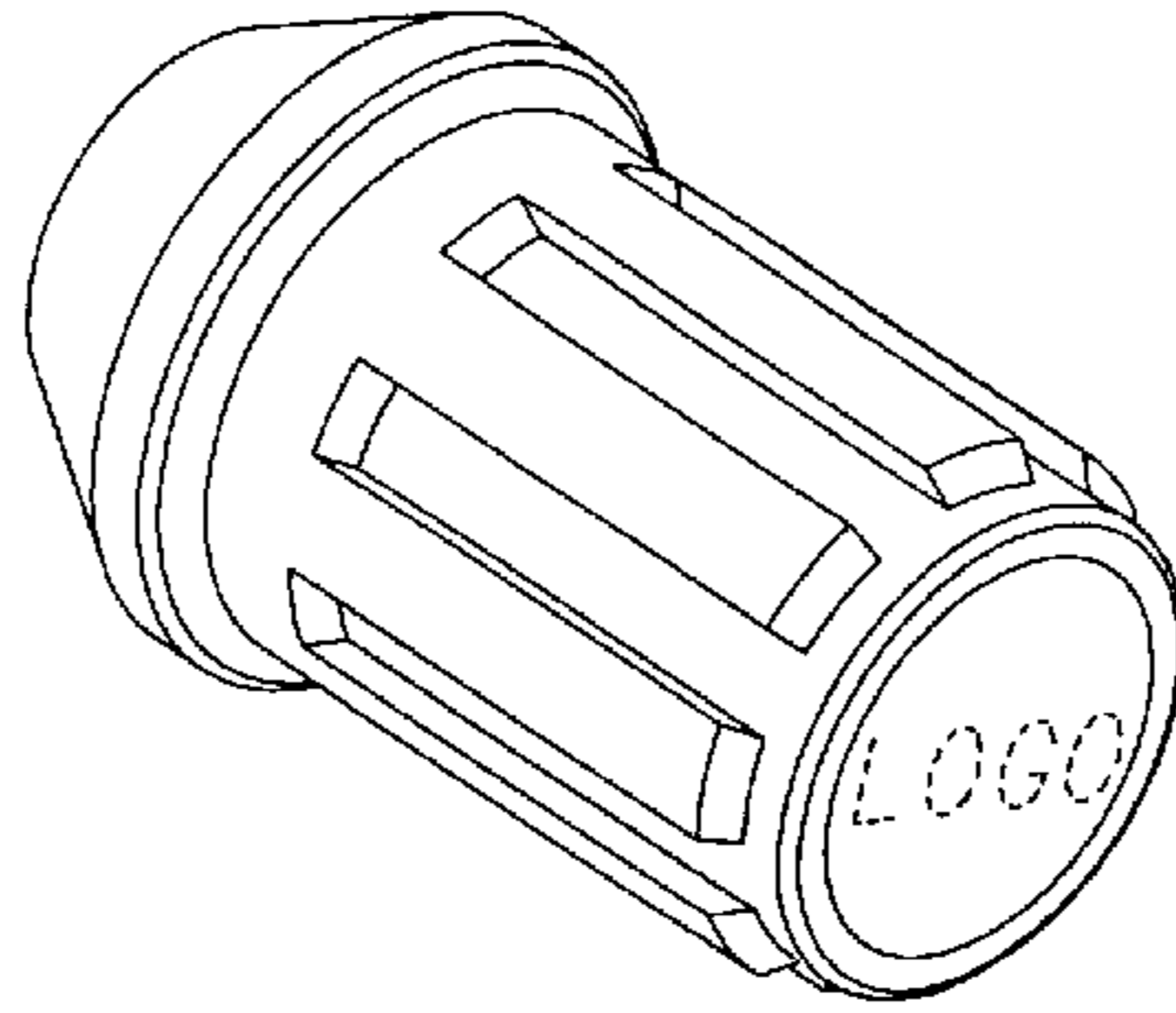


Fig. 1

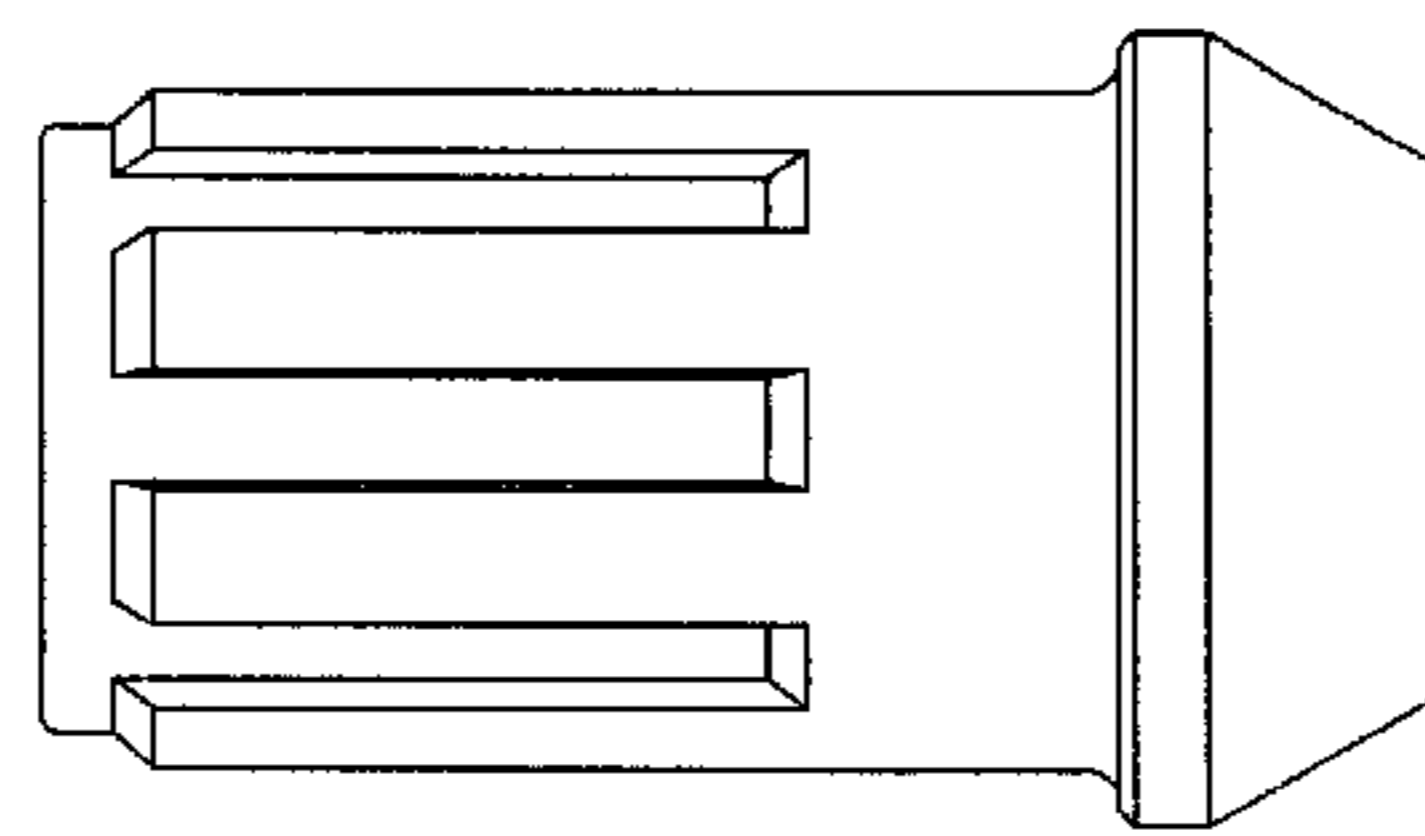


Fig. 2

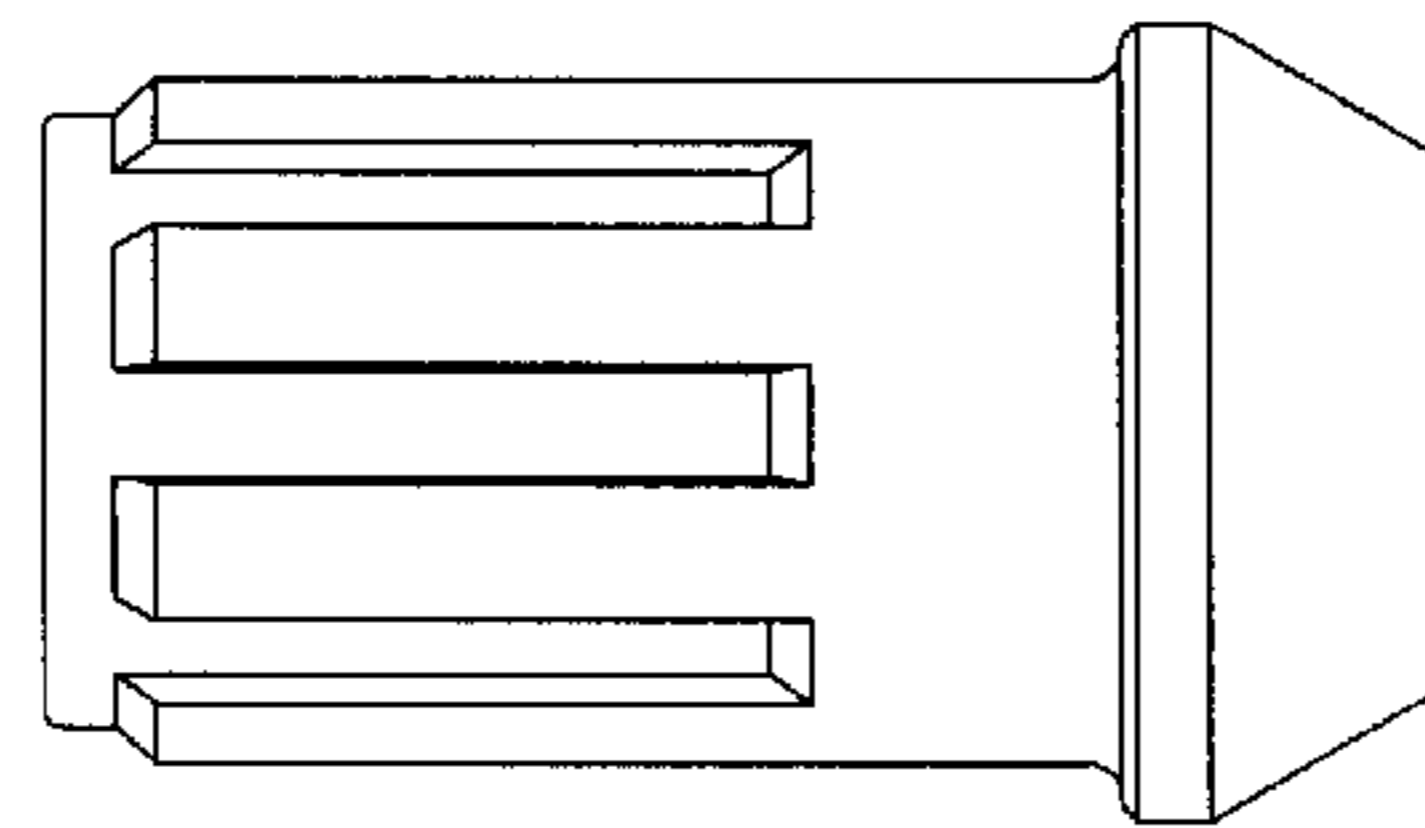


Fig. 3

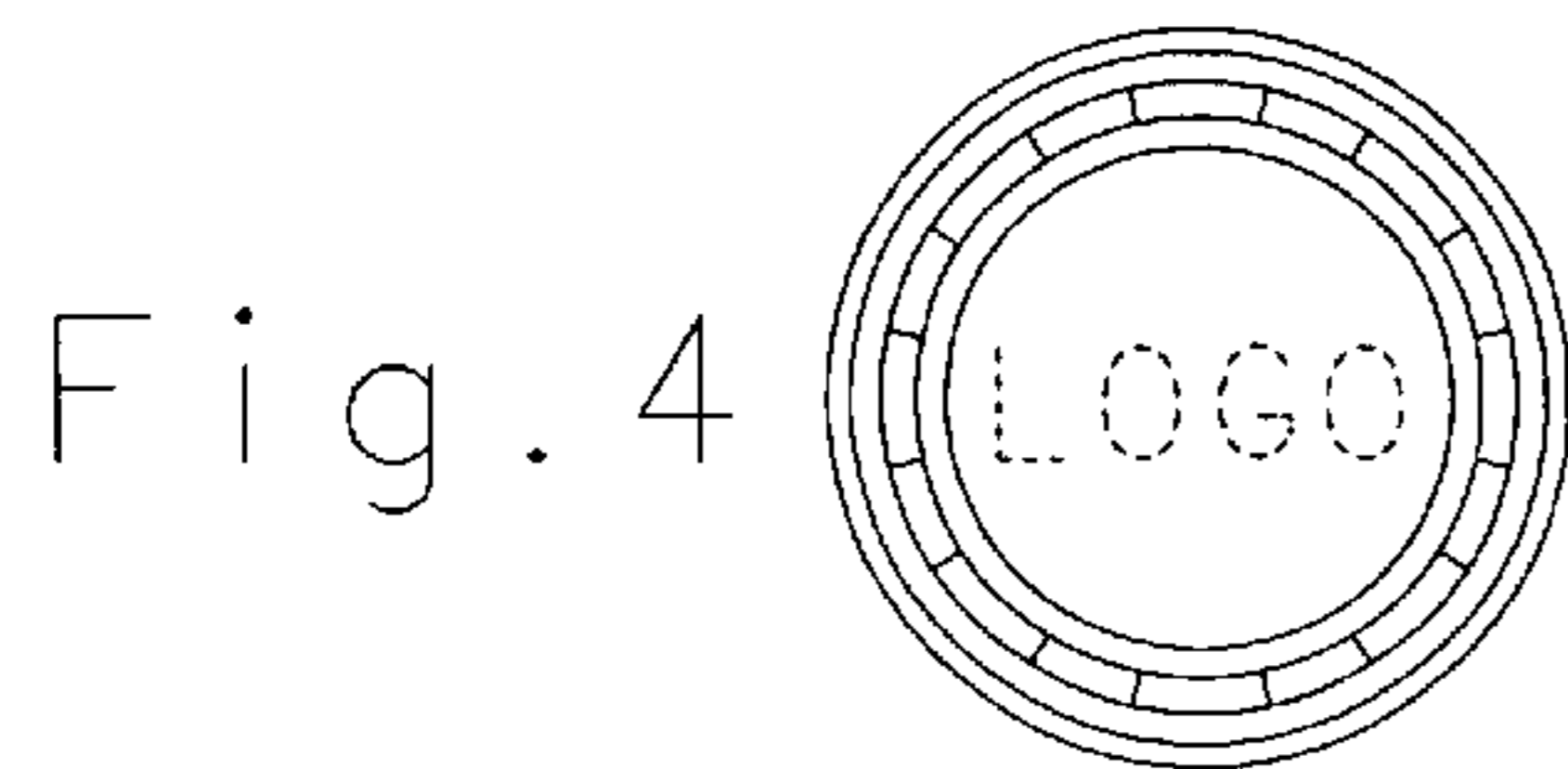


Fig. 4

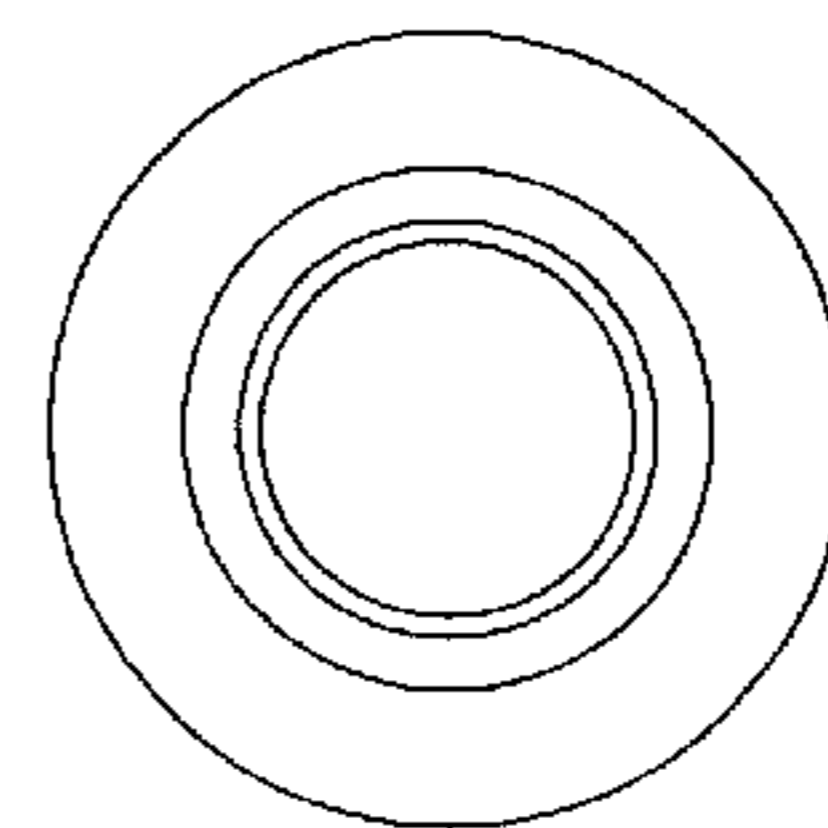


Fig. 5