



US00D488714S

(12) **United States Design Patent**
Schengrund et al.

(10) **Patent No.: US D488,714 S**

(45) **Date of Patent: ** Apr. 20, 2004**

(54) **SUB-GRADE CONDUIT CONNECTOR**

6,305,719 B1 * 10/2001 Smith, Jr. et al. 285/15

(75) Inventors: **Peter Schengrund**, Berkeley Heights, NJ (US); **Joseph Curcio**, Berkeley Heights, NJ (US)

* cited by examiner

Primary Examiner—Holly Baynham
(74) *Attorney, Agent, or Firm*—Pharmaceutical Patent Attorneys, L.L.C.

(73) Assignee: **C & S Manufacturing Co.**, Berkeley Heights, NJ (US)

(57) **CLAIM**

(**) Term: **14 Years**

We claim the ornamental design for a sub-grade conduit connector, as shown and described.

(21) Appl. No.: **29/180,672**

DESCRIPTION

(22) Filed: **Apr. 29, 2003**

The intended use of the article in which the design is embodied is to provide a sub-grade conduit connector. This application claims priority from co-pending Ser. No. 10/319,072, filed Dec. 11, 2002.

(51) **LOC (7) Cl.** **08-08**

(52) **U.S. Cl.** **D8/382**

(58) **Field of Search** D8/382, 394-396; 248/62, 74.1-74.2; D23/393; 285/15, 373

FIG. 1 is a top, front perspective view of the sub-grade conduit connector of our design embodiment thereof.

FIG. 2 is a top plan view thereof

FIG. 3 is a bottom plan view thereof

FIG. 4 is a left side elevation view thereof.

FIG. 5 is a right side elevation view thereof.

FIG. 6 is a rear elevation view thereof; and,

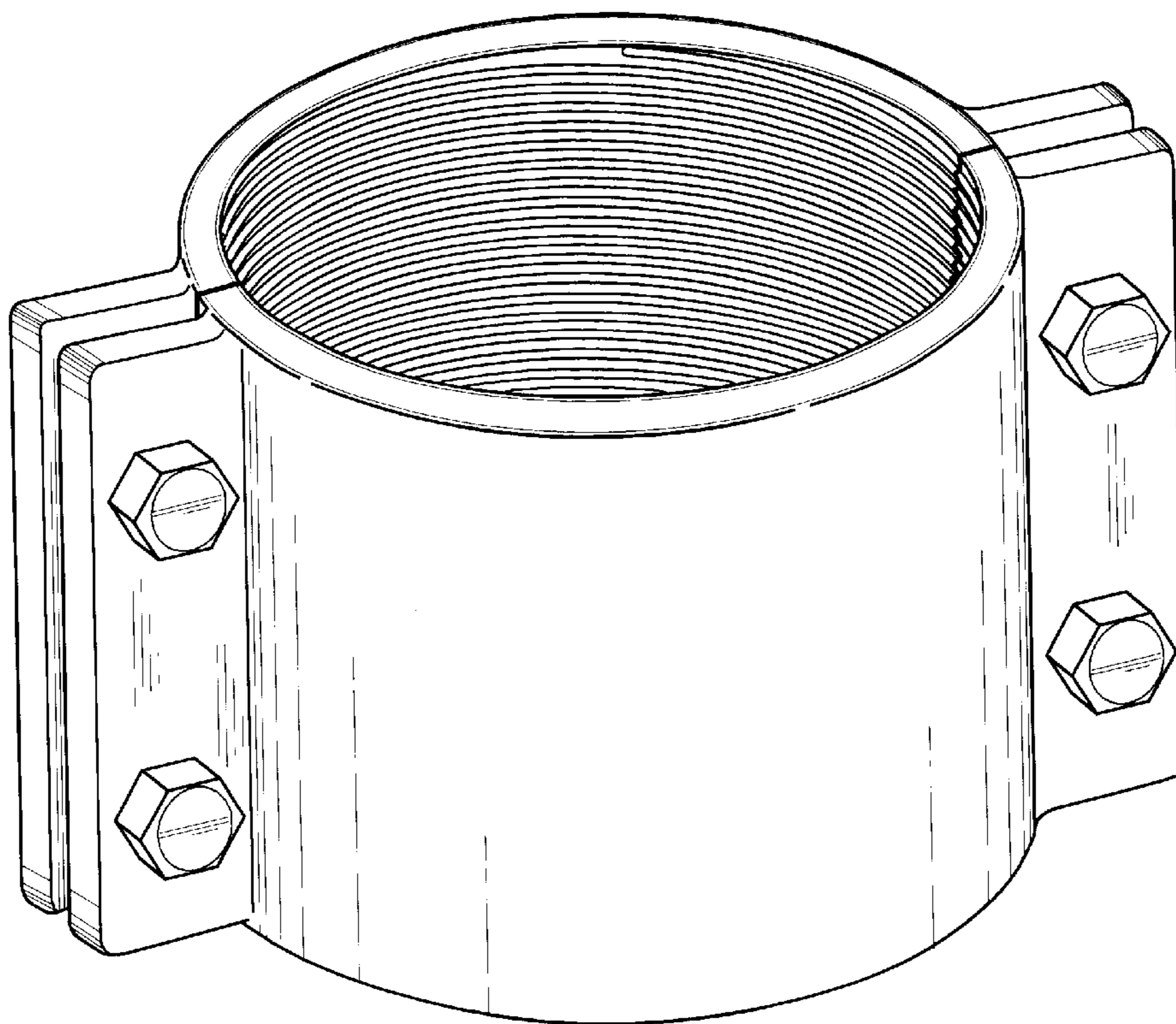
FIG. 7 is a top, front perspective view of a sub-grade conduit connector of our new design.

(56) **References Cited**

U.S. PATENT DOCUMENTS

4,406,481	A	*	9/1983	Summerell	285/15
4,709,729	A	*	12/1987	Harrison	138/99
D298,802	S	*	12/1988	Tekirian	D8/396
4,915,418	A	*	4/1990	Palatchy	285/24
5,562,313	A	*	10/1996	Piniaev et al.	285/373
5,605,357	A	*	2/1997	Bird	285/15
6,276,726	B1	*	8/2001	Daspit	385/15

1 Claim, 4 Drawing Sheets



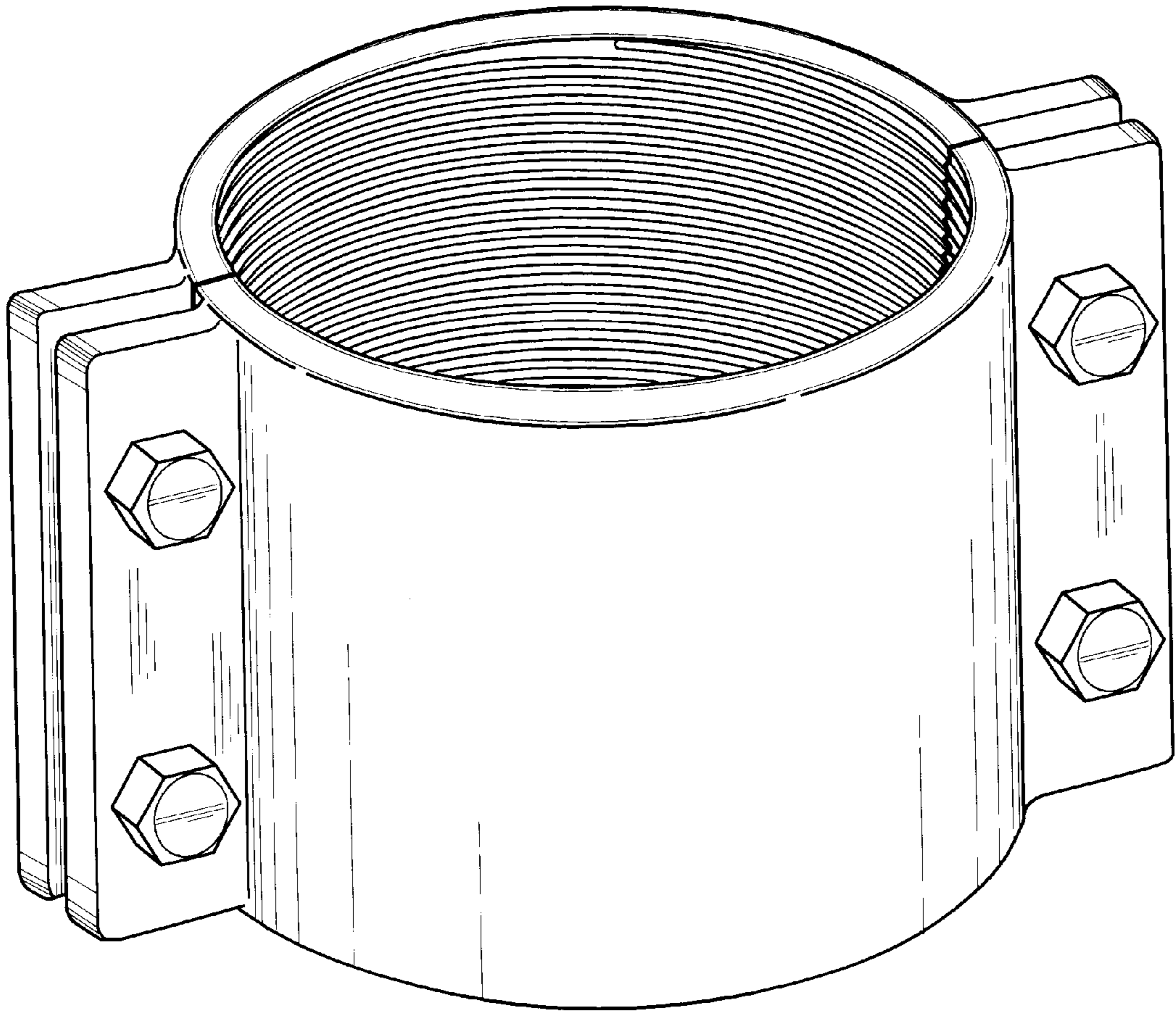


FIG. 1

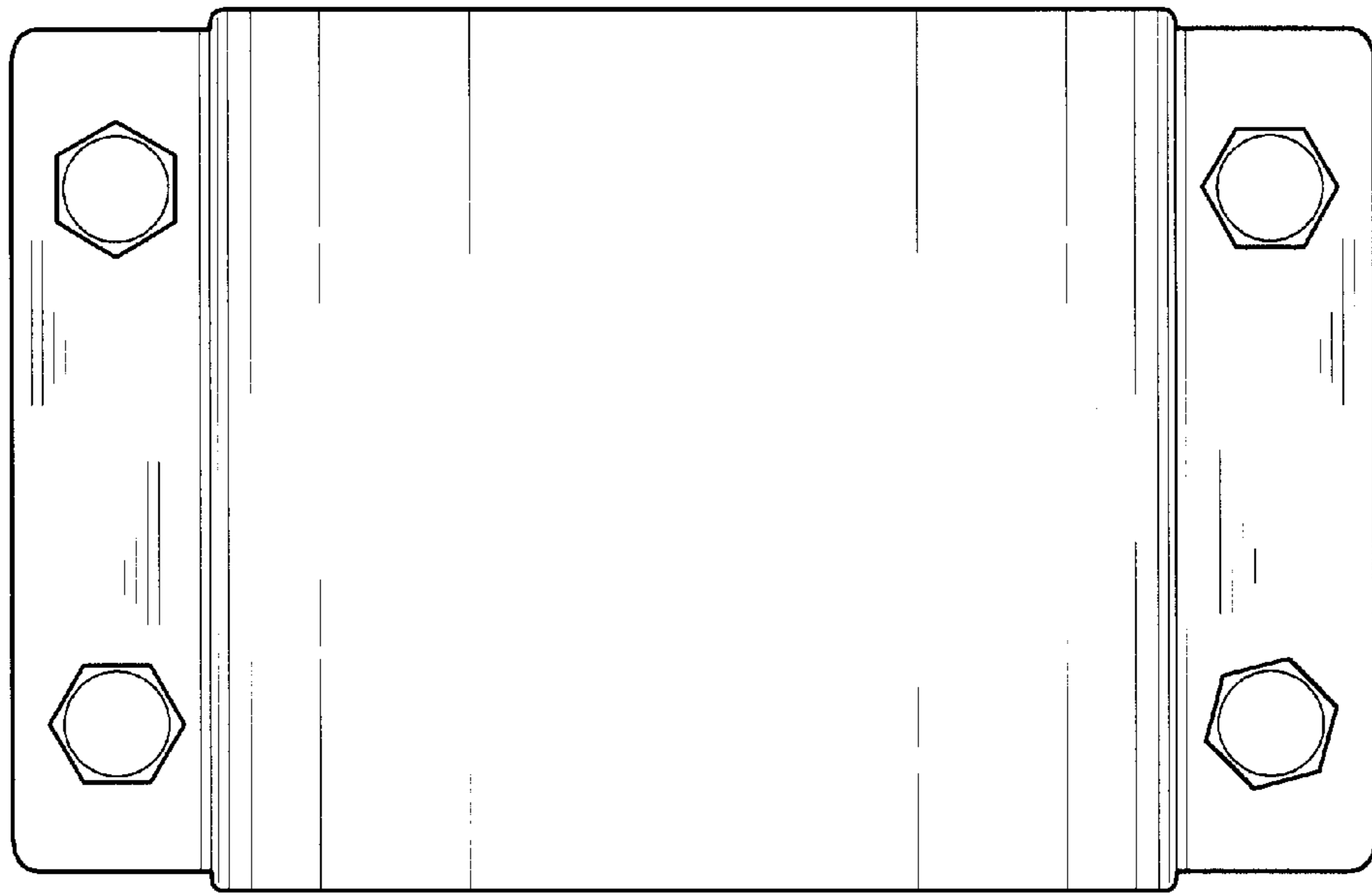


FIG. 2

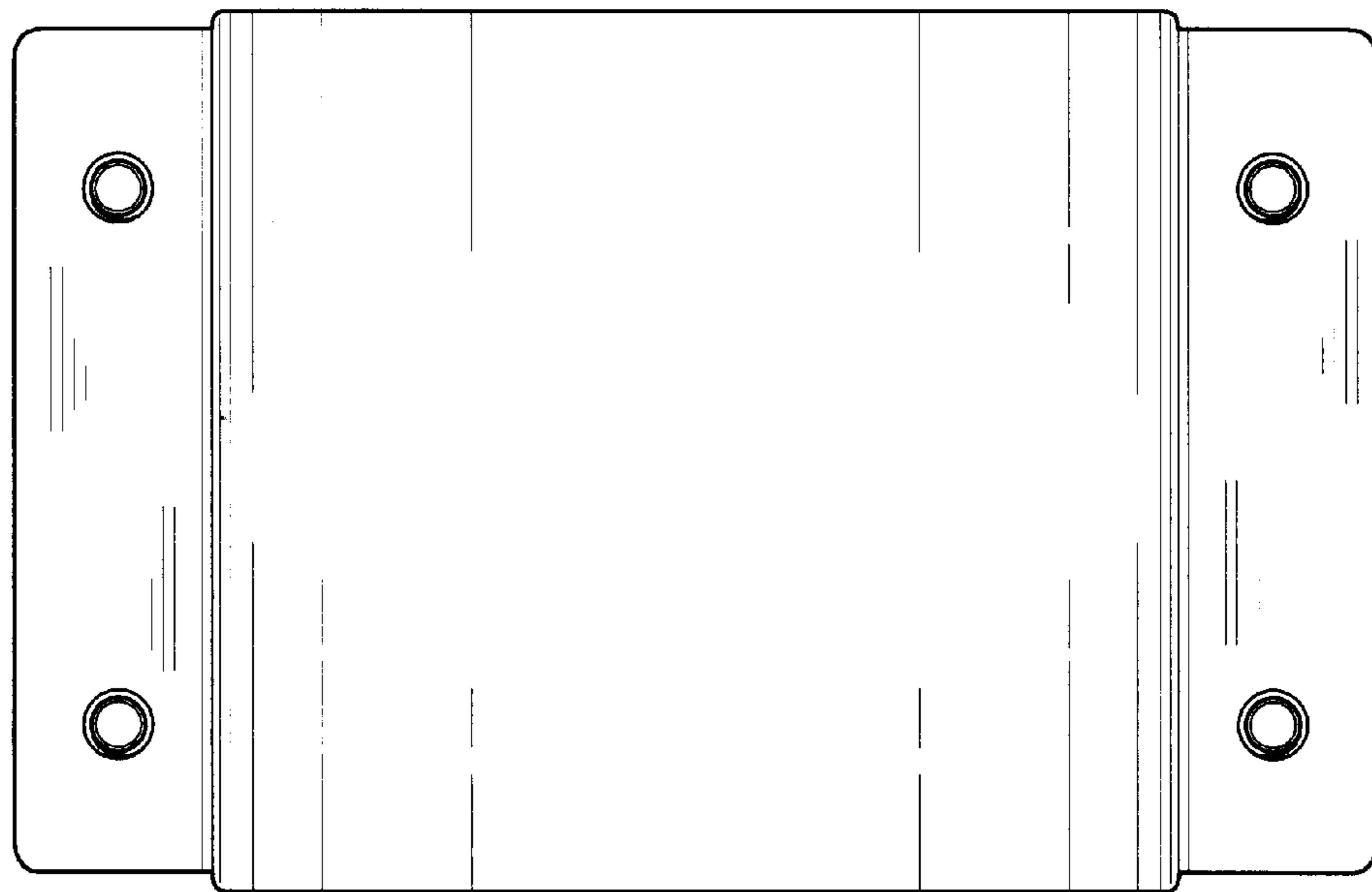


FIG. 3

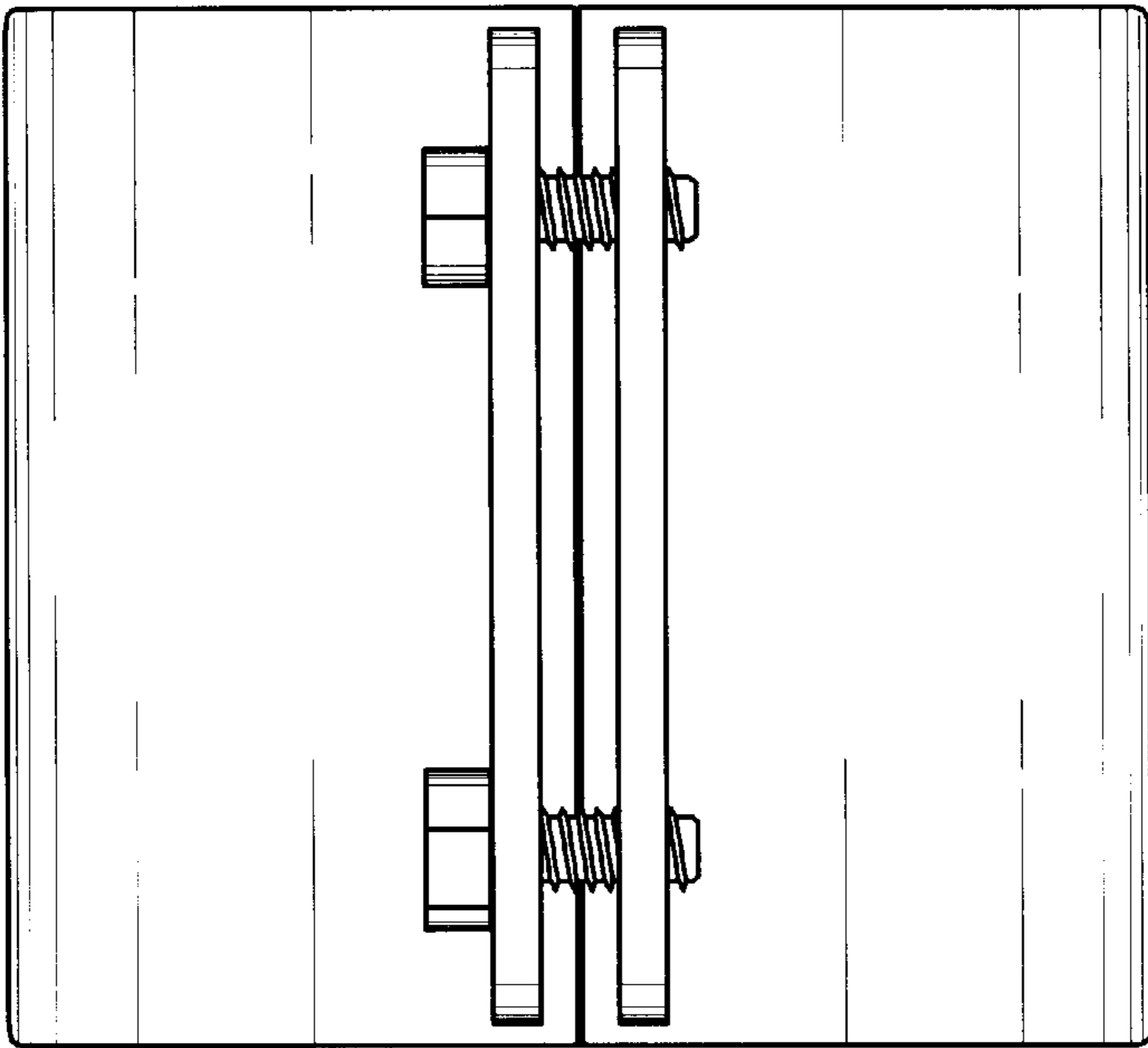


FIG. 4

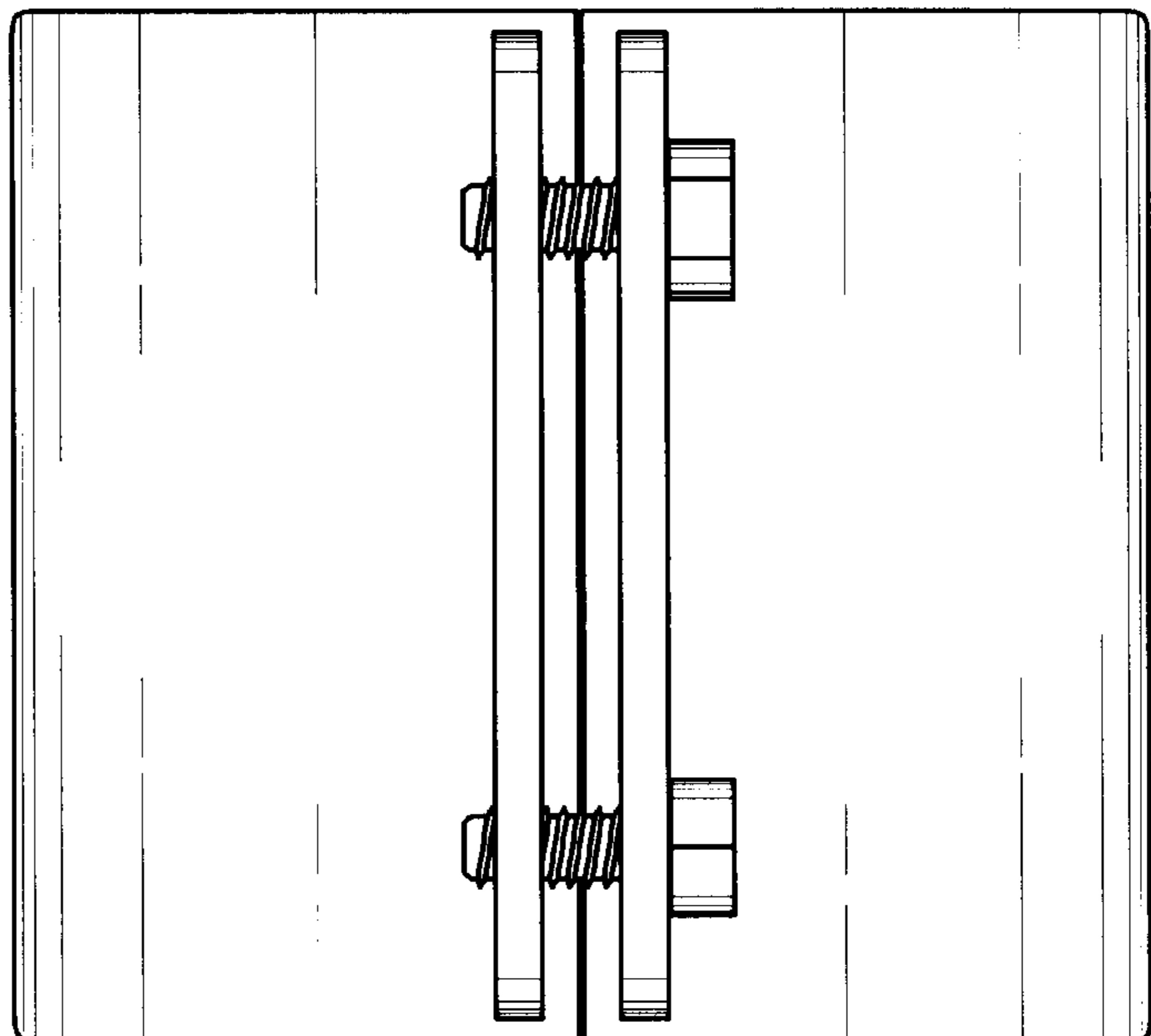


FIG. 5

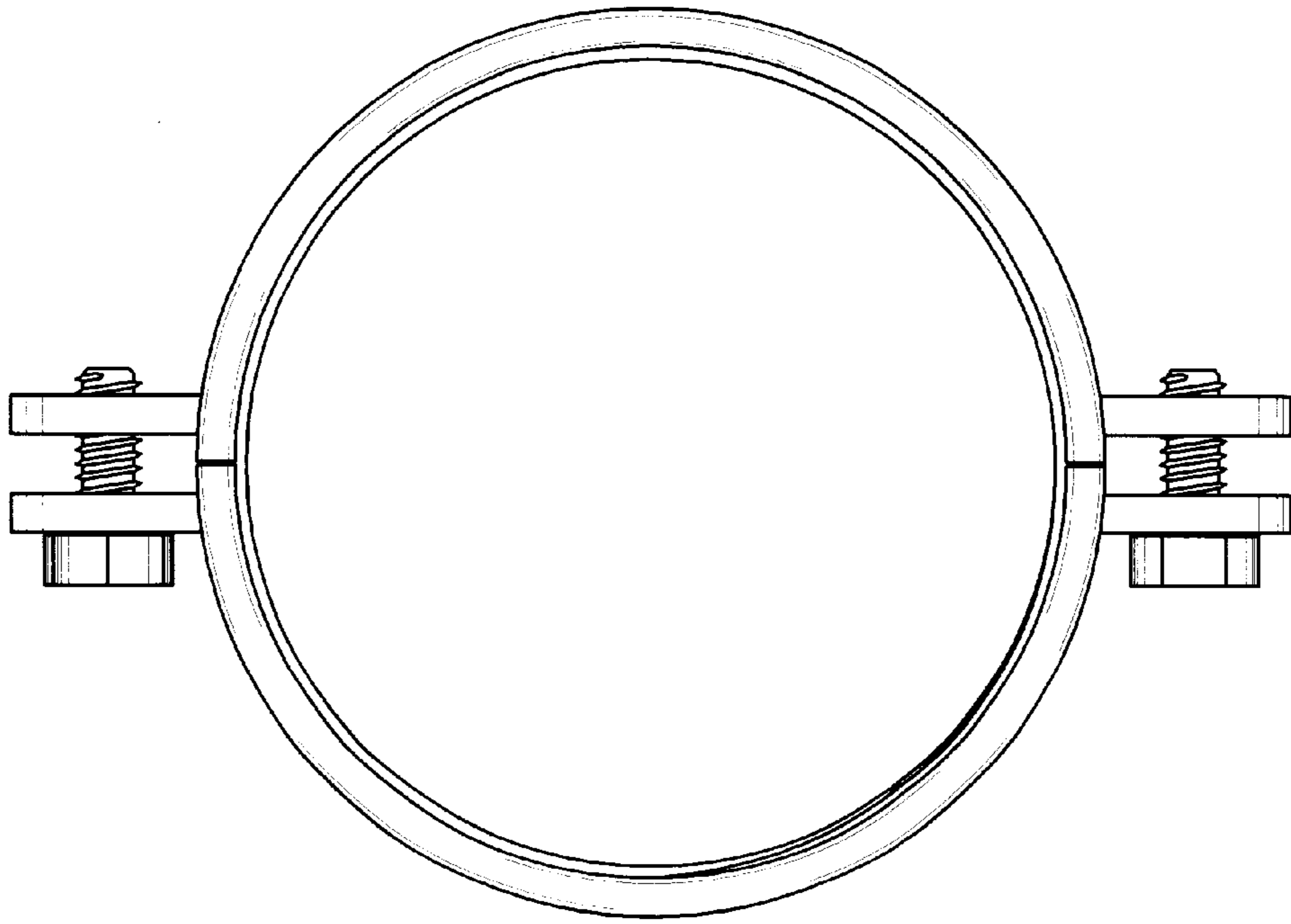


FIG. 6

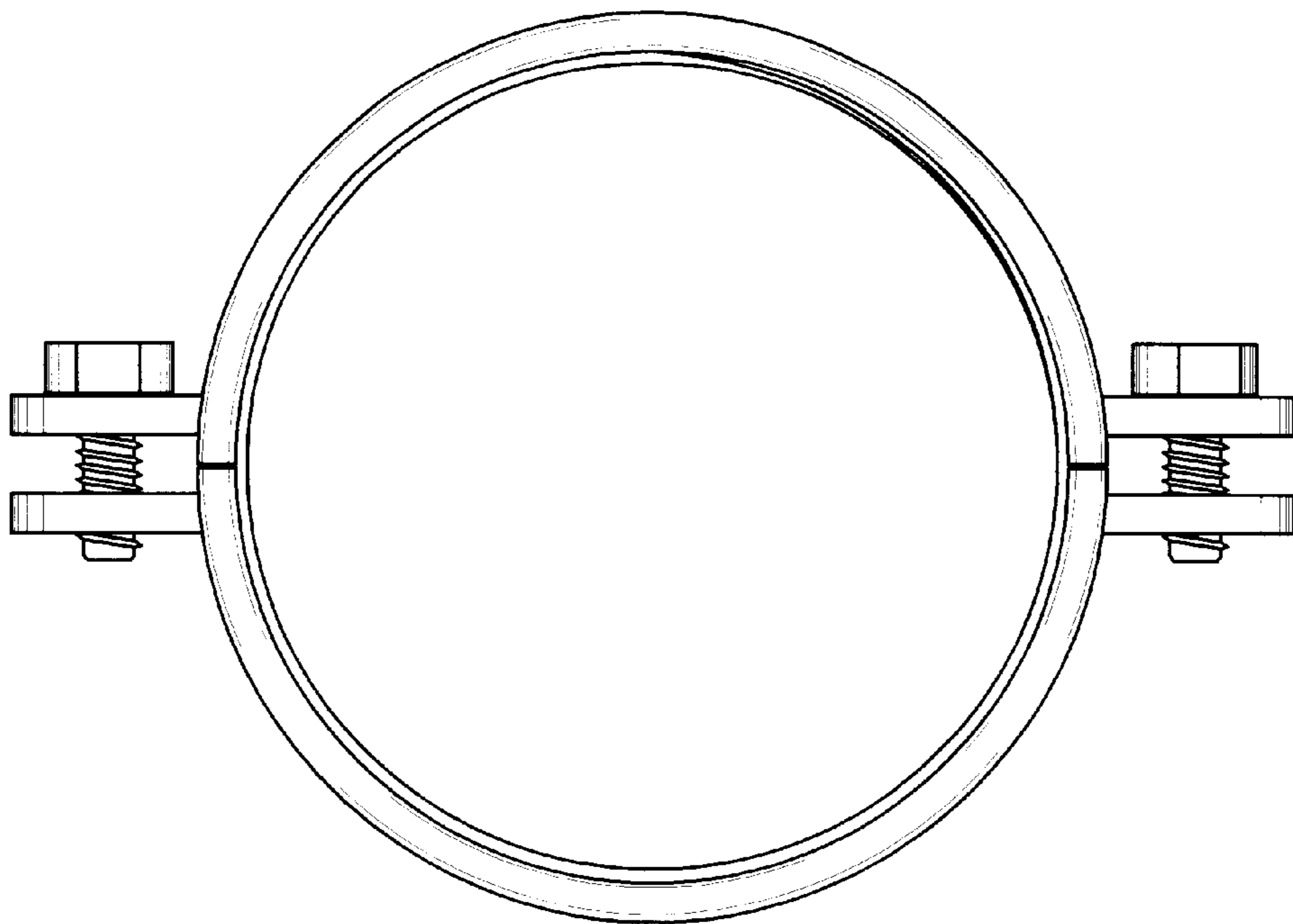


FIG. 7