



US00D488713S

(12) **United States Design Patent**
Liesegang-Stoiber

(10) **Patent No.:** **US D488,713 S**

(45) **Date of Patent:** **** Apr. 20, 2004**

(54) **TRACK FOR SLIDING DOORS**

Primary Examiner—Holly Baynham

(76) **Inventor:** **Oliver Hubertus Liesegang-Stoiber,**
146 Albacore La., Foster City, CA (US)
94404

(57) **CLAIM**

The ornamental design for a track for sliding doors, as shown and described.

(**) **Term:** **14 Years**

DESCRIPTION

(21) **Appl. No.:** **29/174,720**

My track is characterized by a flat surface with two rods on the top and a radius on each side.

(22) **Filed:** **Jan. 24, 2003**

FIG. 1 is a front perspective view of the track;

(51) **LOC (7) Cl.** **08-08**

FIG. 2 is a front view of the track; the rear view being a mirror image;

(52) **U.S. Cl.** **D8/377**

(58) **Field of Search** D8/377; 49/425;
16/93 R, 90, 100; D25/119–125, 60

FIG. 3 is a top view of the track;

(56) **References Cited**

FIG. 4 is a right side view of the track; the left side view being a mirror image;

U.S. PATENT DOCUMENTS

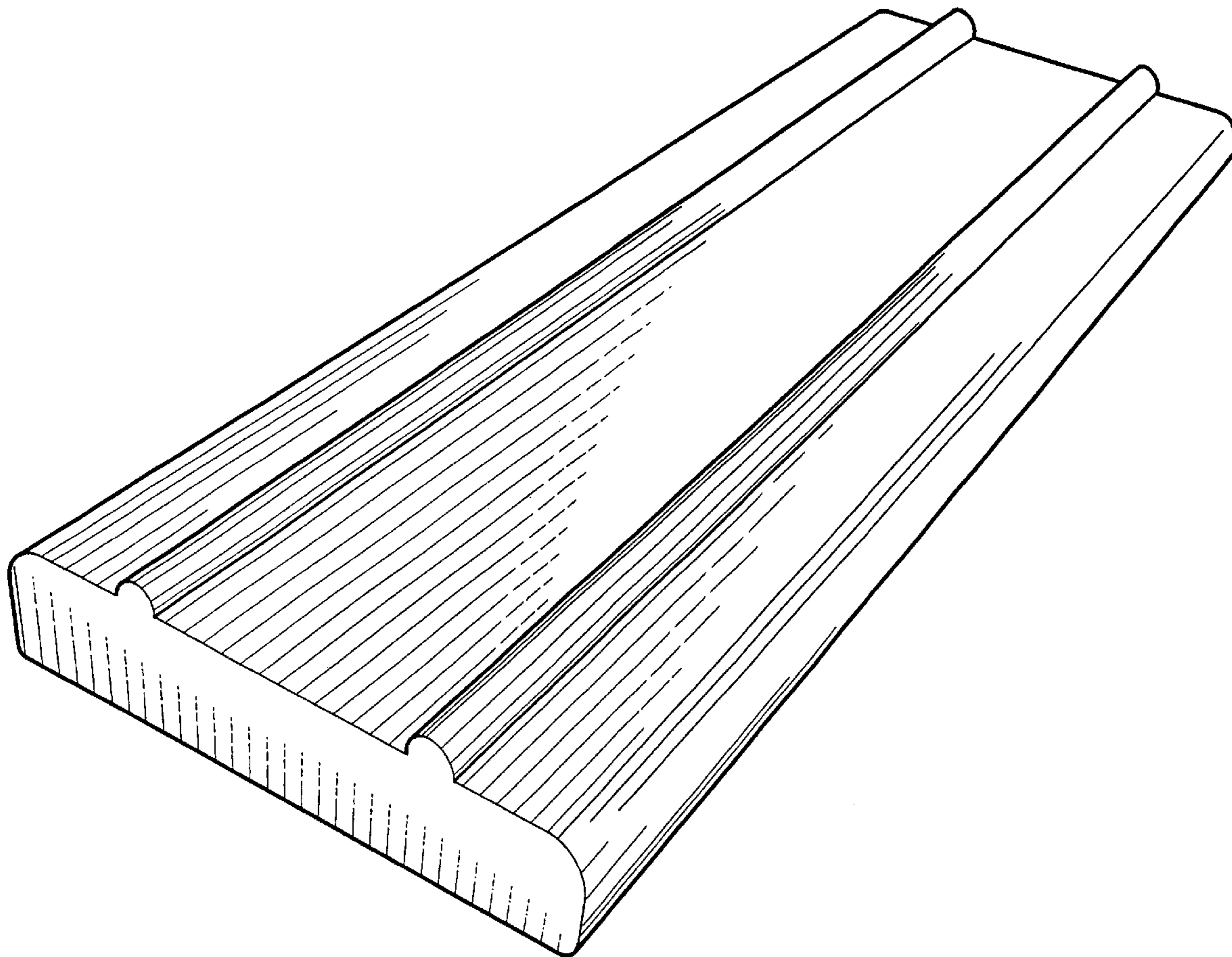
The track includes a plain and unornamental bottom, which is not shown.

D198,845 S	*	8/1964	Matyas	D25/113
3,855,732 A	*	12/1974	Sheaf	49/425
D314,132 S	*	1/1991	Goodell	D8/377
D332,315 S	*	1/1993	Weinerman	D25/119

The claimed design is shown broken away in FIGS. 3 and 4 for ease of illustration.

* cited by examiner

1 Claim, 2 Drawing Sheets



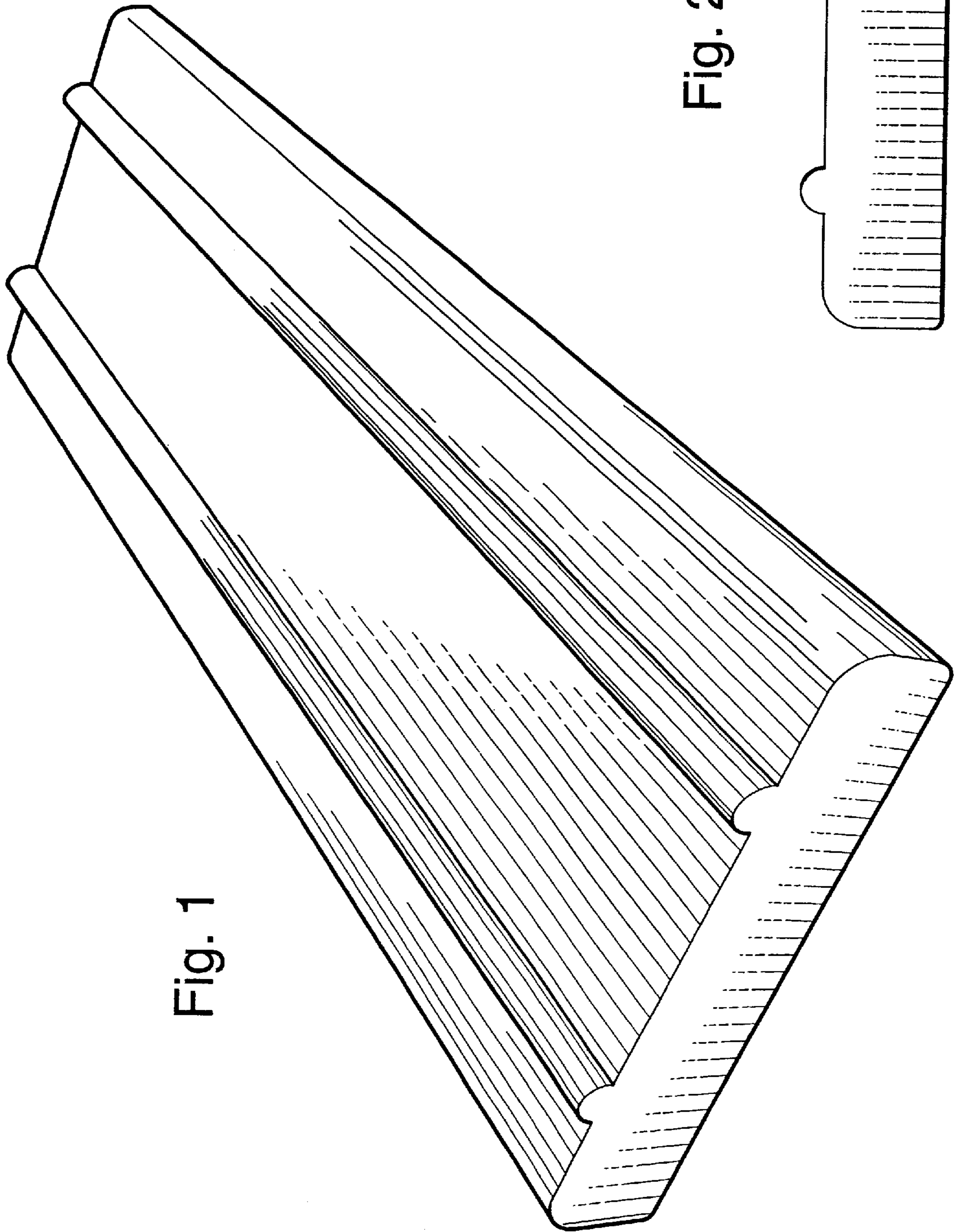
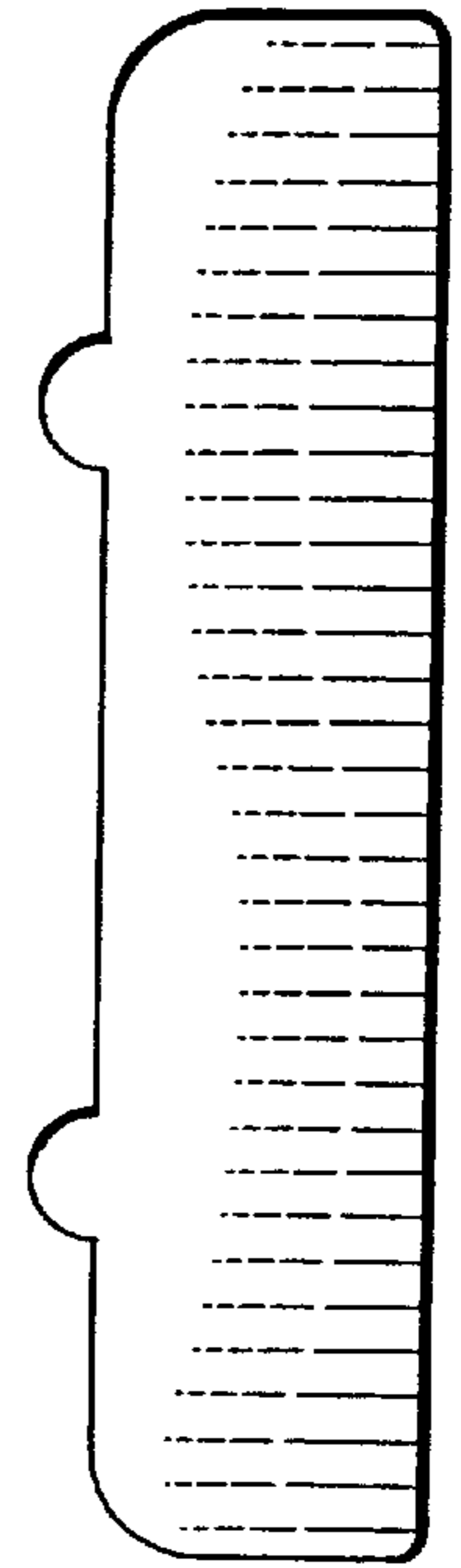


Fig. 1

Fig. 2



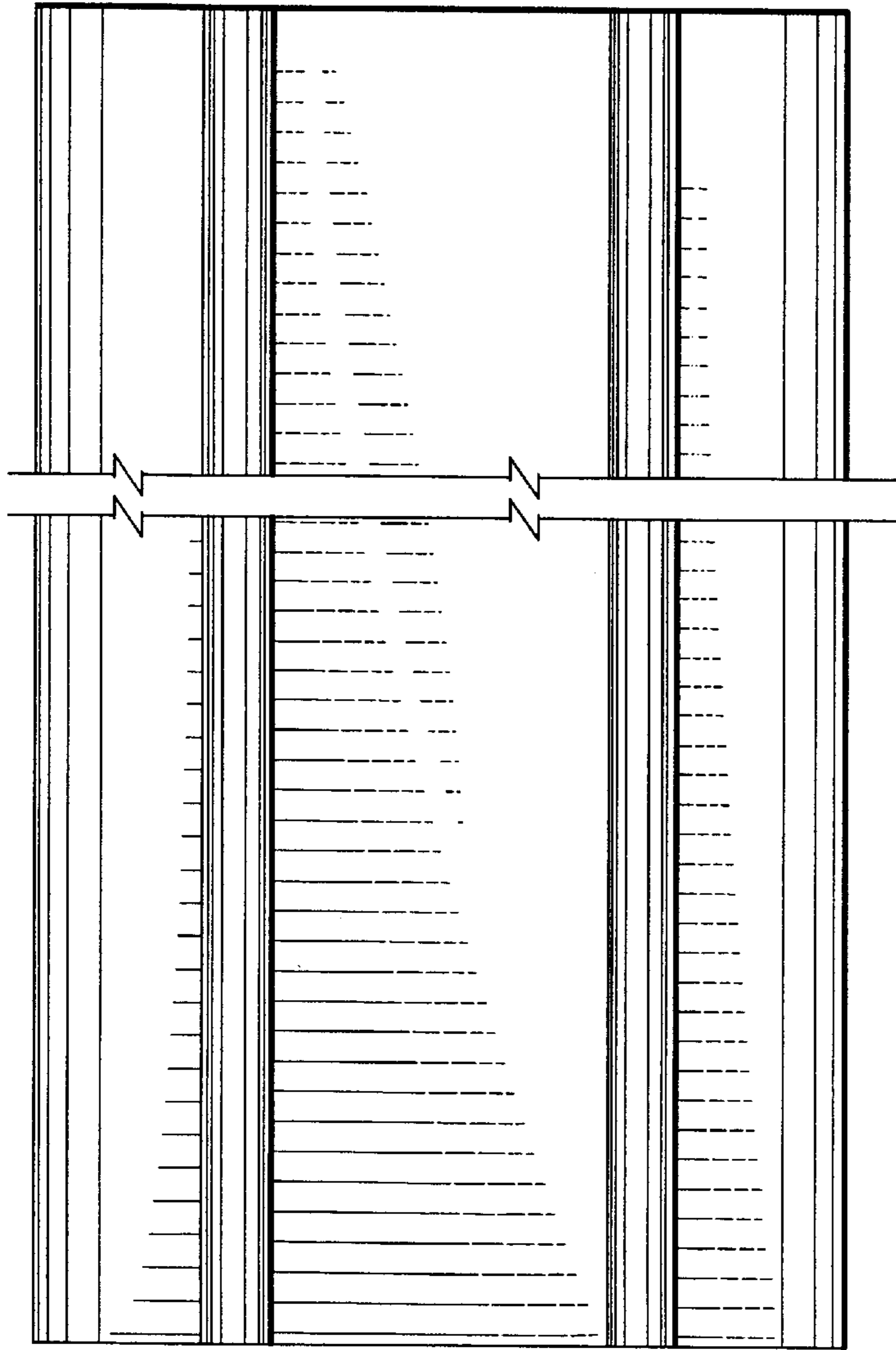


Fig. 3

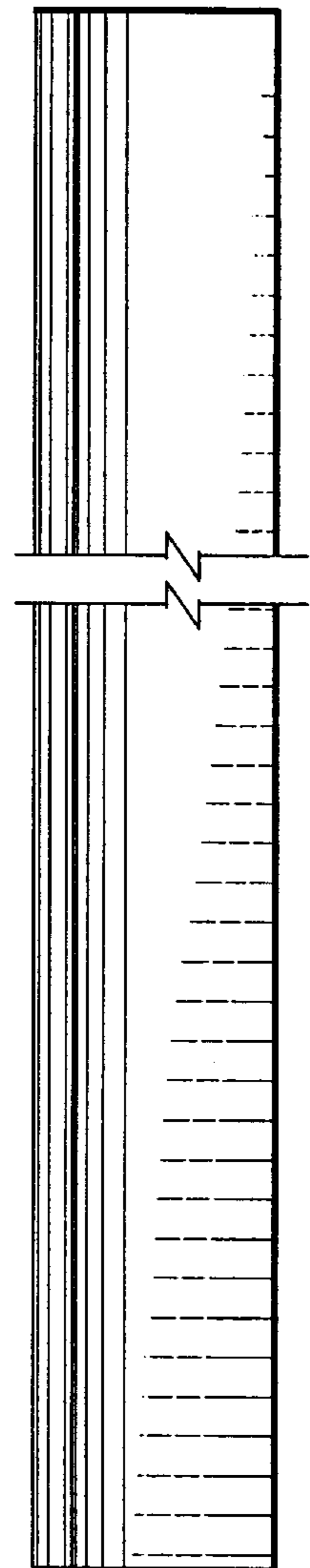


Fig. 4