



US00D488712S

(12) **United States Design Patent**
Kim

(10) **Patent No.:** **US D488,712 S**

(45) **Date of Patent:** **** Apr. 20, 2004**

(54) **CAM ADJUSTER**

(75) Inventor: **Daniel S. Kim**, Santa Fe Springs, CA (US)

(73) Assignee: **Accuride International, Inc.**, Santa Fe Springs, CA (US)

(**) Term: **14 Years**

(21) Appl. No.: **29/179,943**

(22) Filed: **Apr. 16, 2003**

(51) **LOC (7) Cl.** **08-05**

(52) **U.S. Cl.** **D8/374**

(58) **Field of Search** D8/374; D6/510; 312/334.4

(56) **References Cited**

U.S. PATENT DOCUMENTS

- 5,074,627 A * 12/1991 Broeders 312/221
- 5,375,922 A 12/1994 Brüstle et al.
- 5,474,378 A * 12/1995 Smith et al. 312/334.4

FOREIGN PATENT DOCUMENTS

JP 06211471 A * 8/1994 B66B/11/04

OTHER PUBLICATIONS

U.S. Utility patent application Ser. No. 10/353,123, filed Jan. 27, 2003, (35 pages).

* cited by examiner

Primary Examiner—Holly Baynham

(74) *Attorney, Agent, or Firm*—Christie, Parker & Hale, LLP

(57) **CLAIM**

The ornamental design for cam adjuster, as shown and described.

DESCRIPTION

FIG. 1 is a perspective view of an embodiment of the cam adjuster according to the new design from above and to the right;

FIG. 2 is a perspective view of the embodiment of FIG. 1 from below and to the right;

FIG. 3 is a right side view of the embodiment of FIG. 1;

FIG. 4 is a bottom view of the embodiment of FIG. 1;

FIG. 5 is a left side view of the embodiment of FIG. 1;

FIG. 6 is a front view of the embodiment of FIG. 1;

FIG. 7 is a top view of the embodiment of FIG.1; and,

FIG. 8 is a back view of the embodiment of FIG. 1.

1 Claim, 3 Drawing Sheets

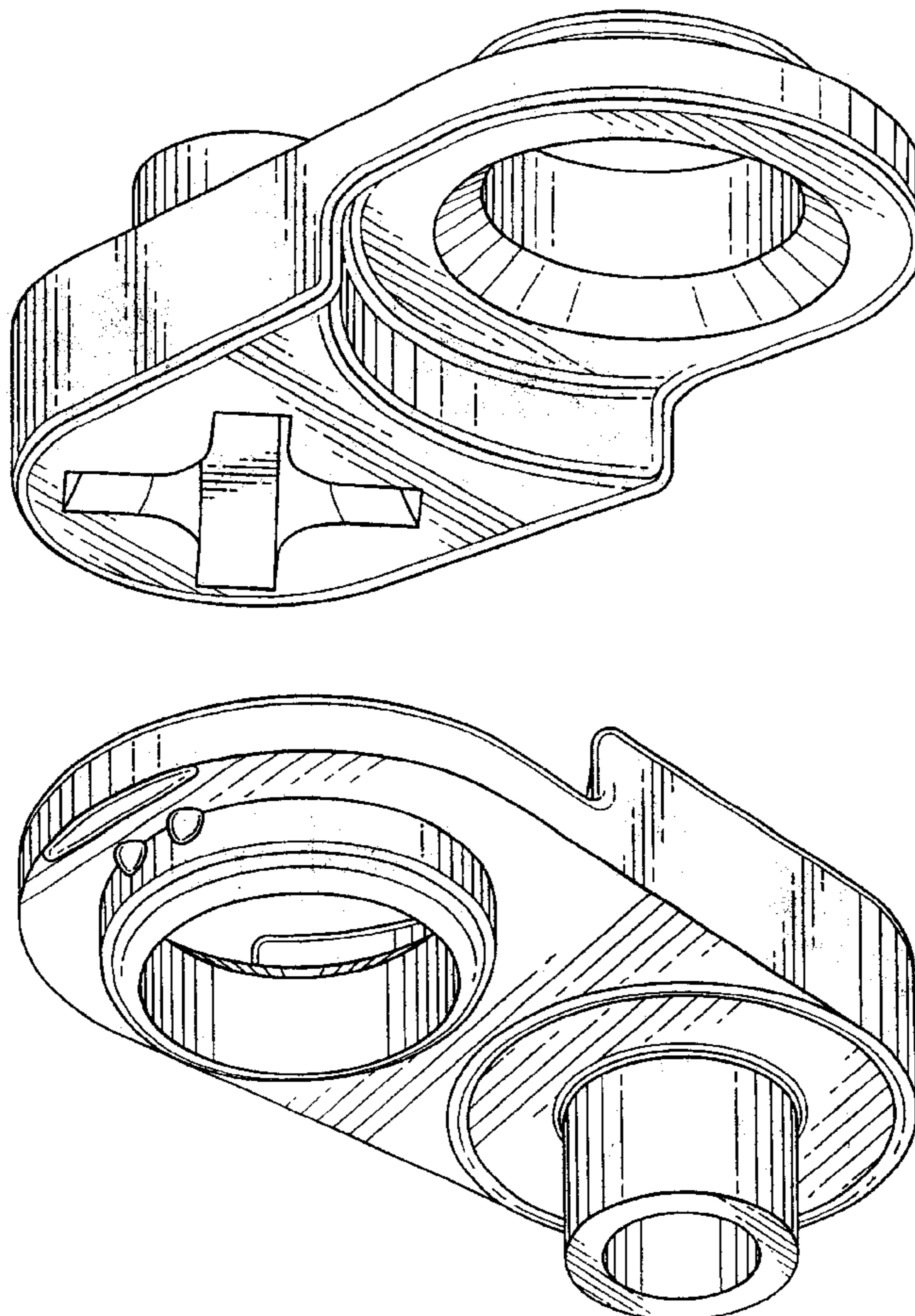


FIG. 1

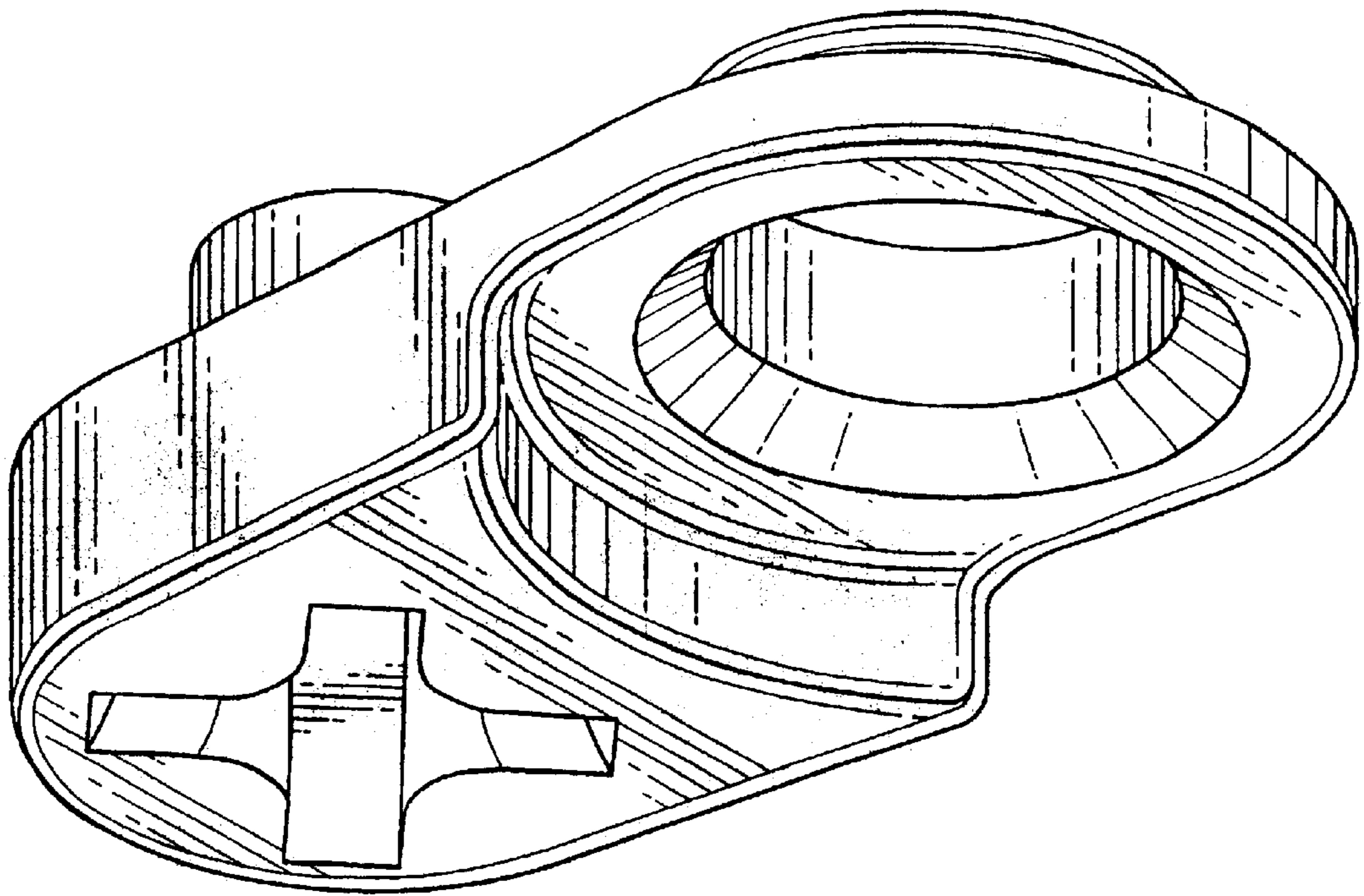


FIG. 2

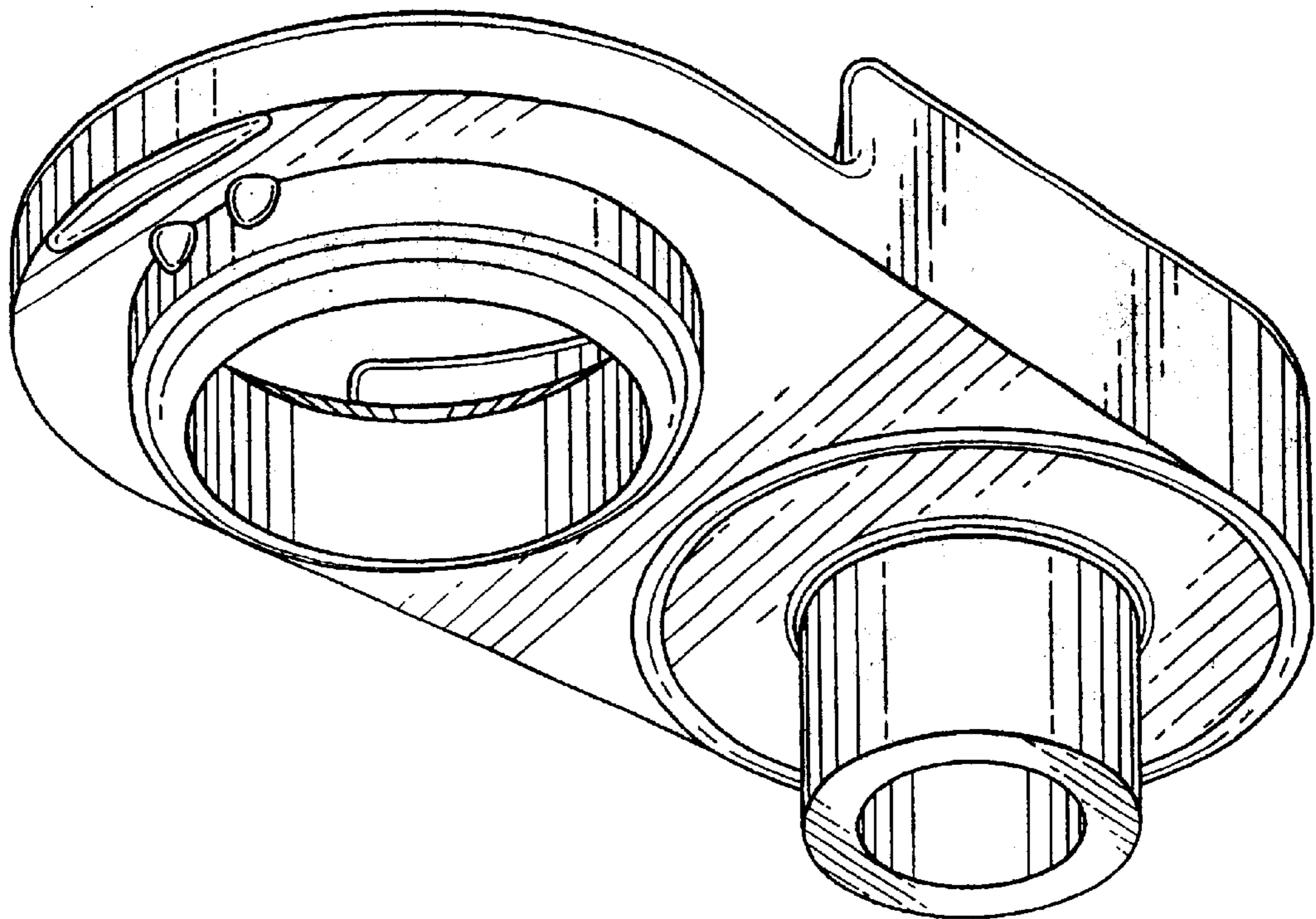


FIG. 3

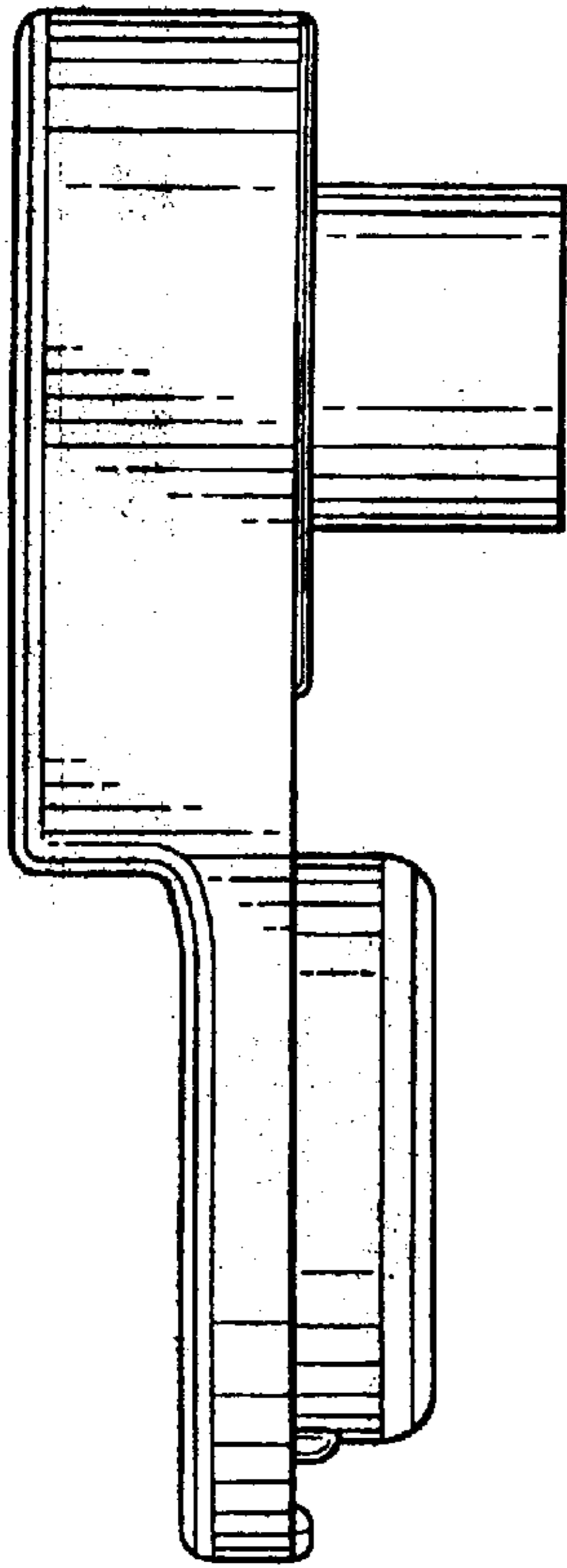


FIG. 4

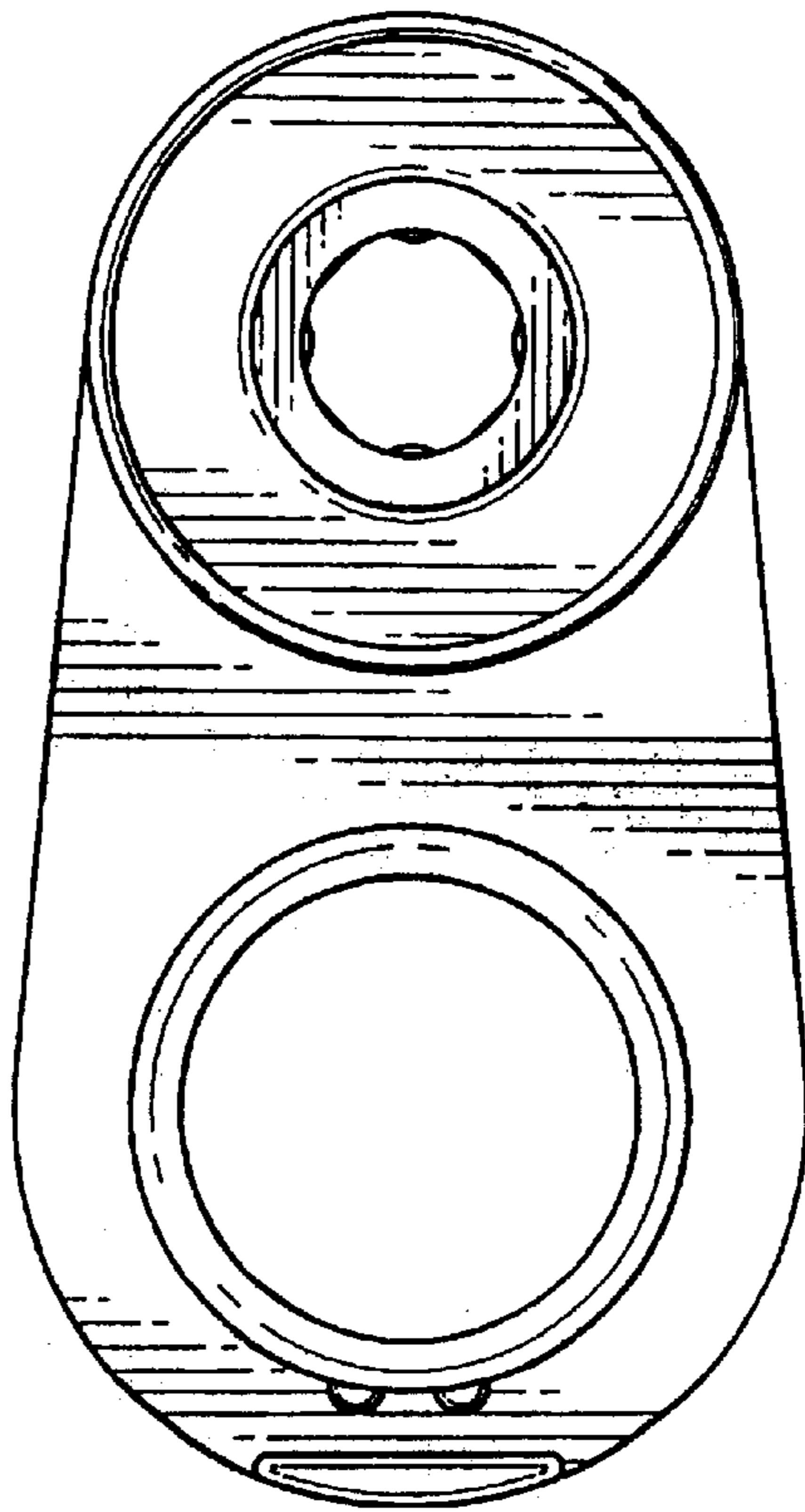


FIG. 5

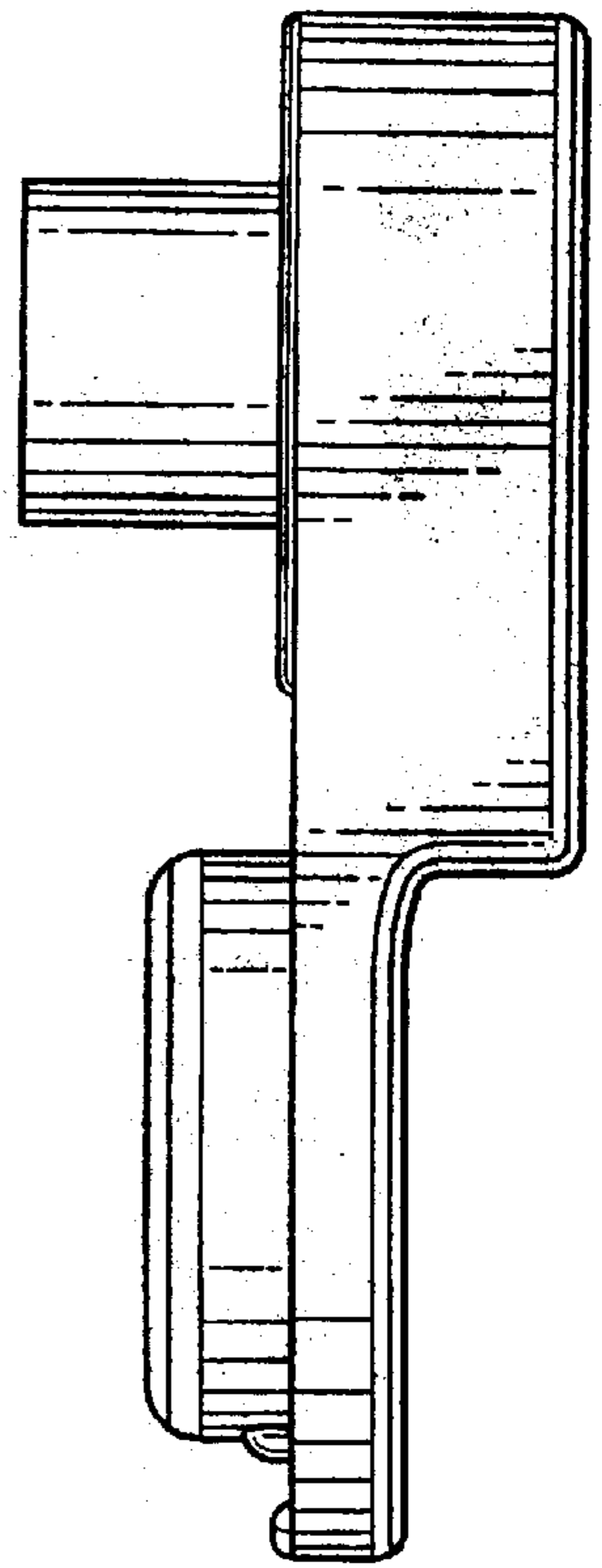


FIG. 6

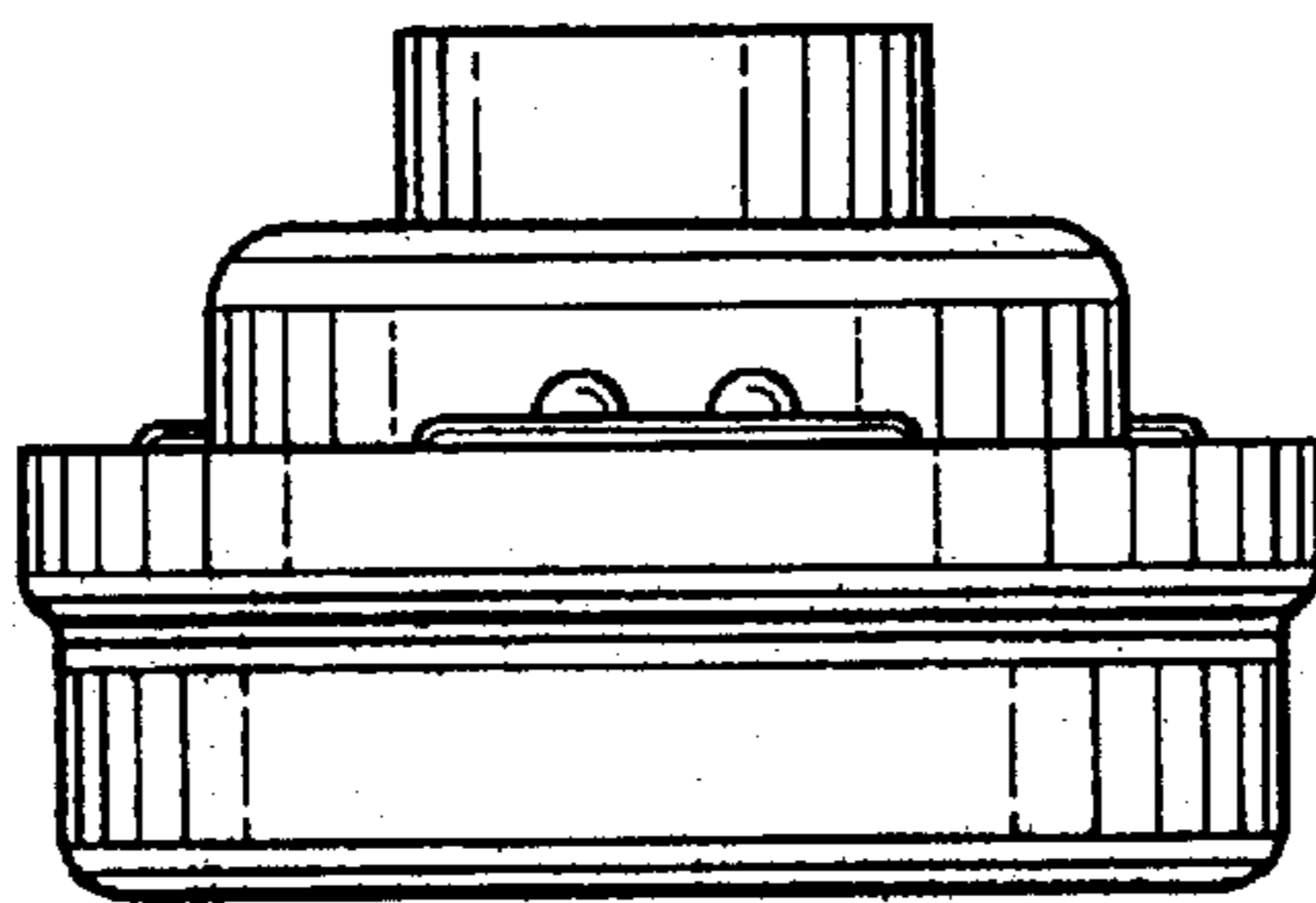


FIG. 7

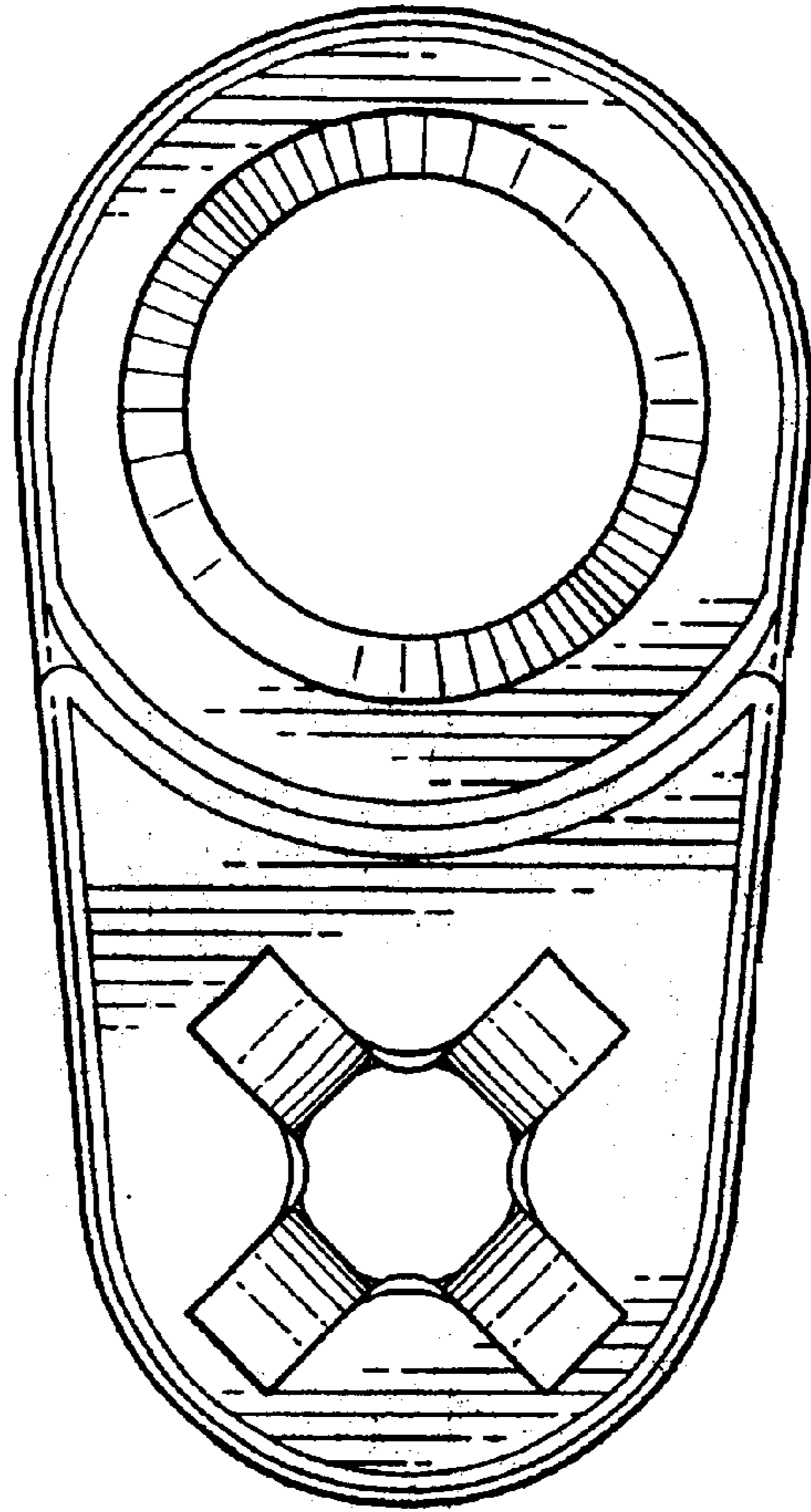
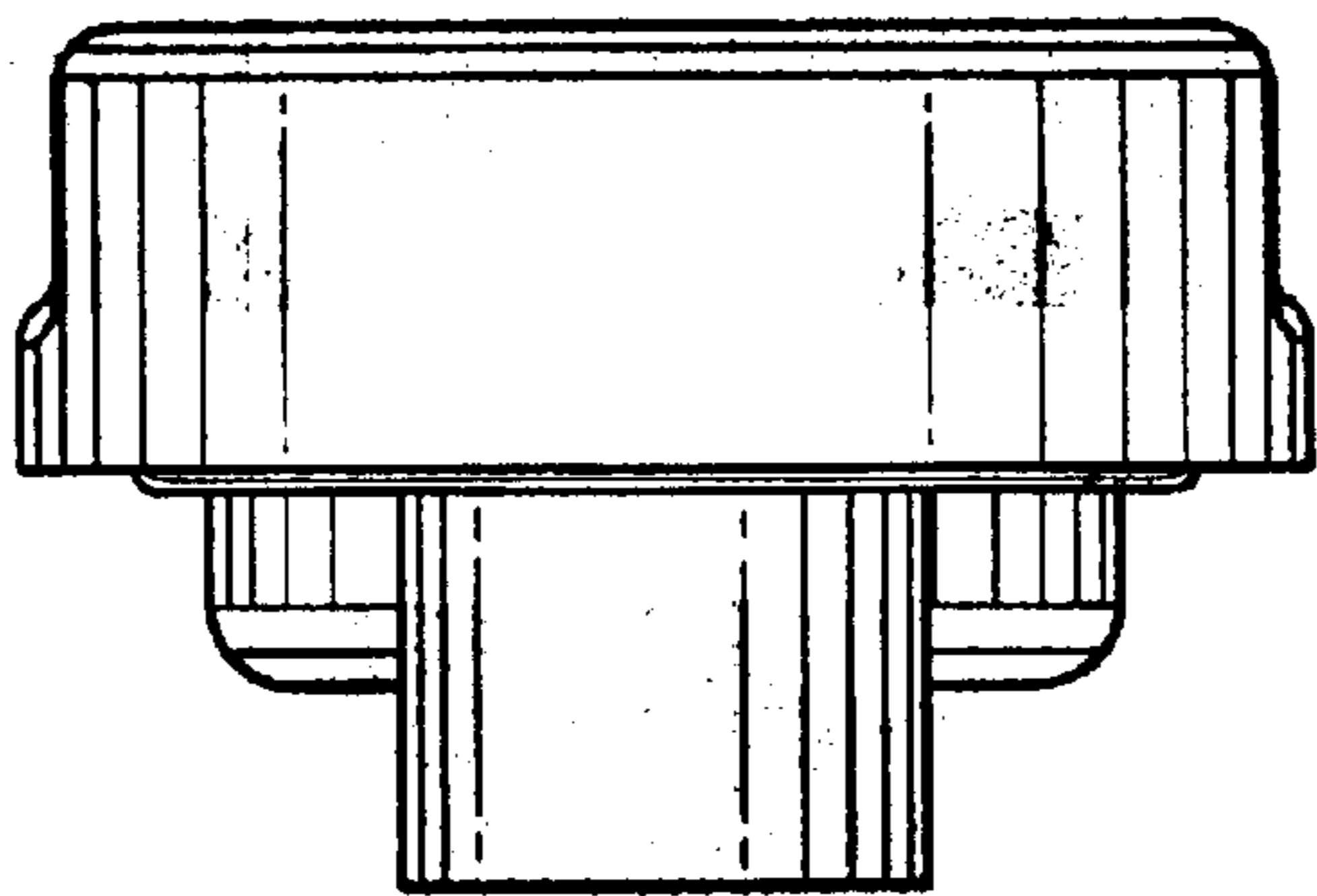


FIG. 8



UNITED STATES PATENT AND TRADEMARK OFFICE
CERTIFICATE OF CORRECTION

PATENT NO. : Des. 488,712 S
DATED : April 20, 2004
INVENTOR(S) : Daniel S. Kim

Page 1 of 1

It is certified that error appears in the above-identified patent and that said Letters Patent is hereby corrected as shown below:

Title page.

Item [73], Assignee, "**Accuride International, Inc.**" should be -- **Accuride International Inc.** --.

Signed and Sealed this

Fifteenth Day of November, 2005

A handwritten signature in black ink that reads "Jon W. Dudas". The signature is written in a cursive style with a large, looped initial "J".

JON W. DUDAS

Director of the United States Patent and Trademark Office