



US00D488710S

(12) **United States Design Patent**
Holton

(10) **Patent No.:** **US D488,710 S**

(45) **Date of Patent:** **** Apr. 20, 2004**

(54) **HOOK KEEPER SET**

DESCRIPTION

(75) Inventor: **Charles J. Holton**, Haslett, MI (US)

(73) Assignee: **Strap-Down, LLC**, Haslett, MI (US)

(**) Term: **14 Years**

(21) Appl. No.: **29/158,913**

(22) Filed: **Apr. 12, 2002**

(51) **LOC (7) Cl.** **08-05**

(52) **U.S. Cl.** **D8/367**

(58) **Field of Search** D8/367, 382-383;
24/599.8, 598.1, 598.4, 598.5, 265 H, 600.1,
600.9, 599.5, 599.7

(56) **References Cited**

U.S. PATENT DOCUMENTS

712,085 A	*	10/1902	Novella	24/599.1
1,819,768 A	*	8/1931	Coffing	248/539
4,030,167 A	*	6/1977	Gubbels	24/598.1
D432,402 S	*	10/2000	Hyp	D8/383

* cited by examiner

Primary Examiner—Holly Baynham

(57) **CLAIM**

The ornamental design for a hook keeper set, as shown and described.

FIG. 1 is a perspective view showing my new hook keeper design in context of a tie-down strap with the hook keeper in use keeping the tie-down strap hooks positioned relative to structural members and with a hook keeper of my design being shown at each of two opposing ends of the tie-down strap;

FIG. 2 is substantially the view of FIG. 1 with the hook keeper set not in use;

FIG. 3 is an enlarged fragmentary perspective view showing my new hook keeper set design in context and with the hook keeper in use keeping the tie-down strap hook positioned relative to a structural member;

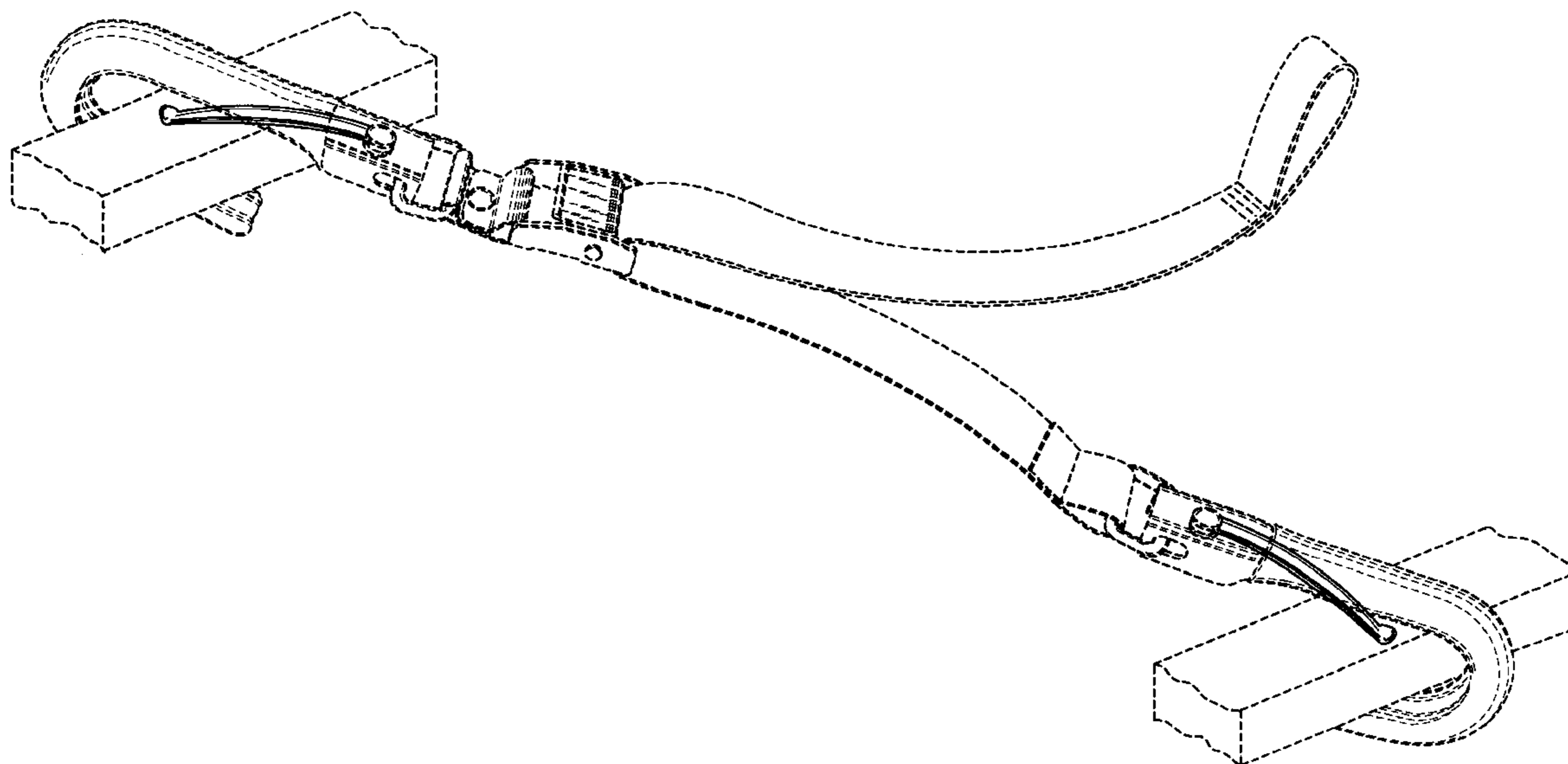
FIG. 4 is an enlarged fragmentary perspective view that is opposite to the view of FIG. 3 and with the hook keeper set not in use;

FIG. 5 is a side elevational view of my new hook keeper set design in context and with the hook keeper in use, the opposing side elevational view being a mirror image thereof; and,

FIG. 6 is the view of FIG. 5 with the hook keeper set not in use.

The broken line showing of a tie-down strap and elements therefor is for illustrative purposes only and forms no part of the claimed design.

1 Claim, 5 Drawing Sheets



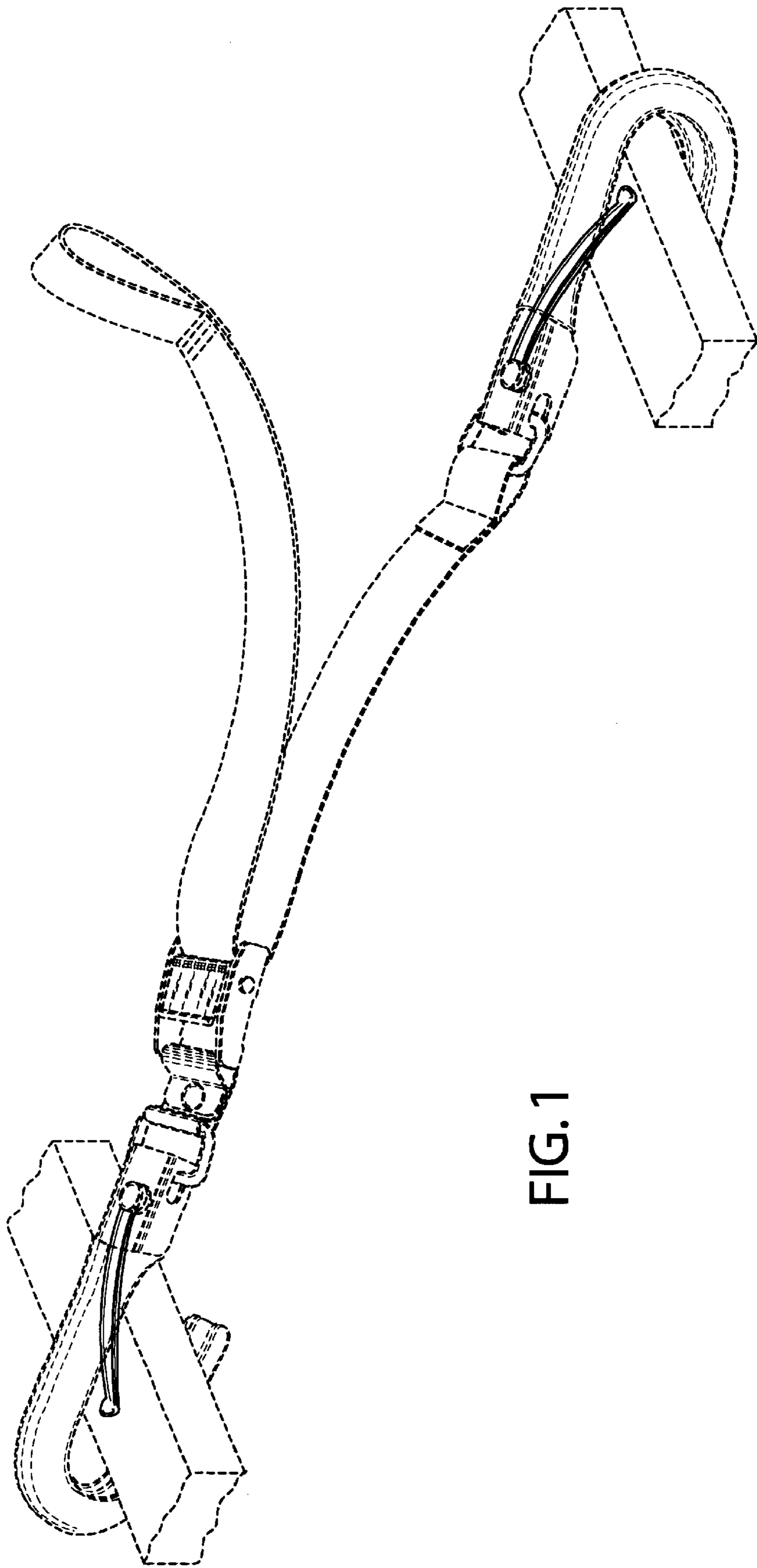


FIG. 1

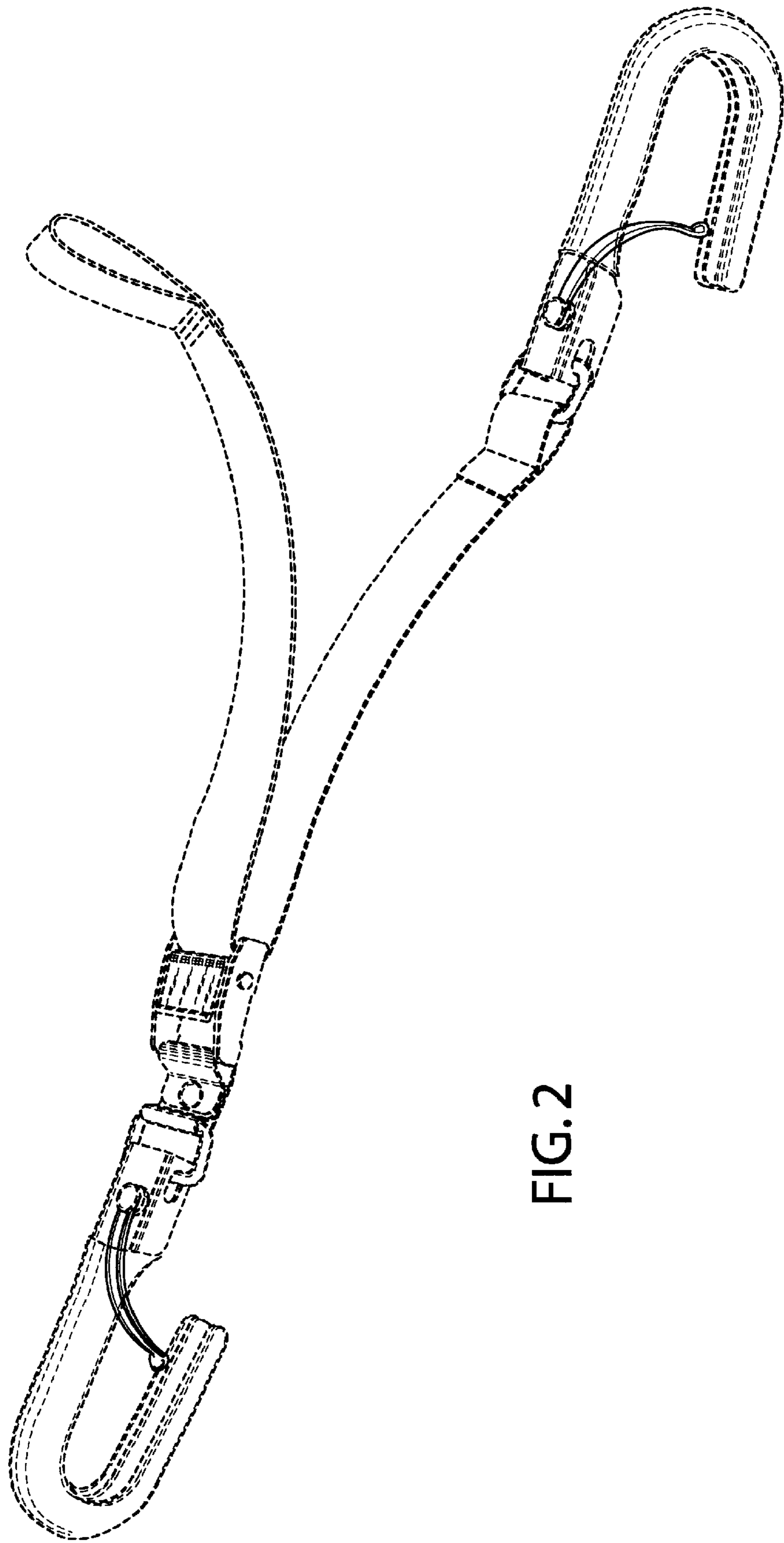


FIG. 2

FIG. 3

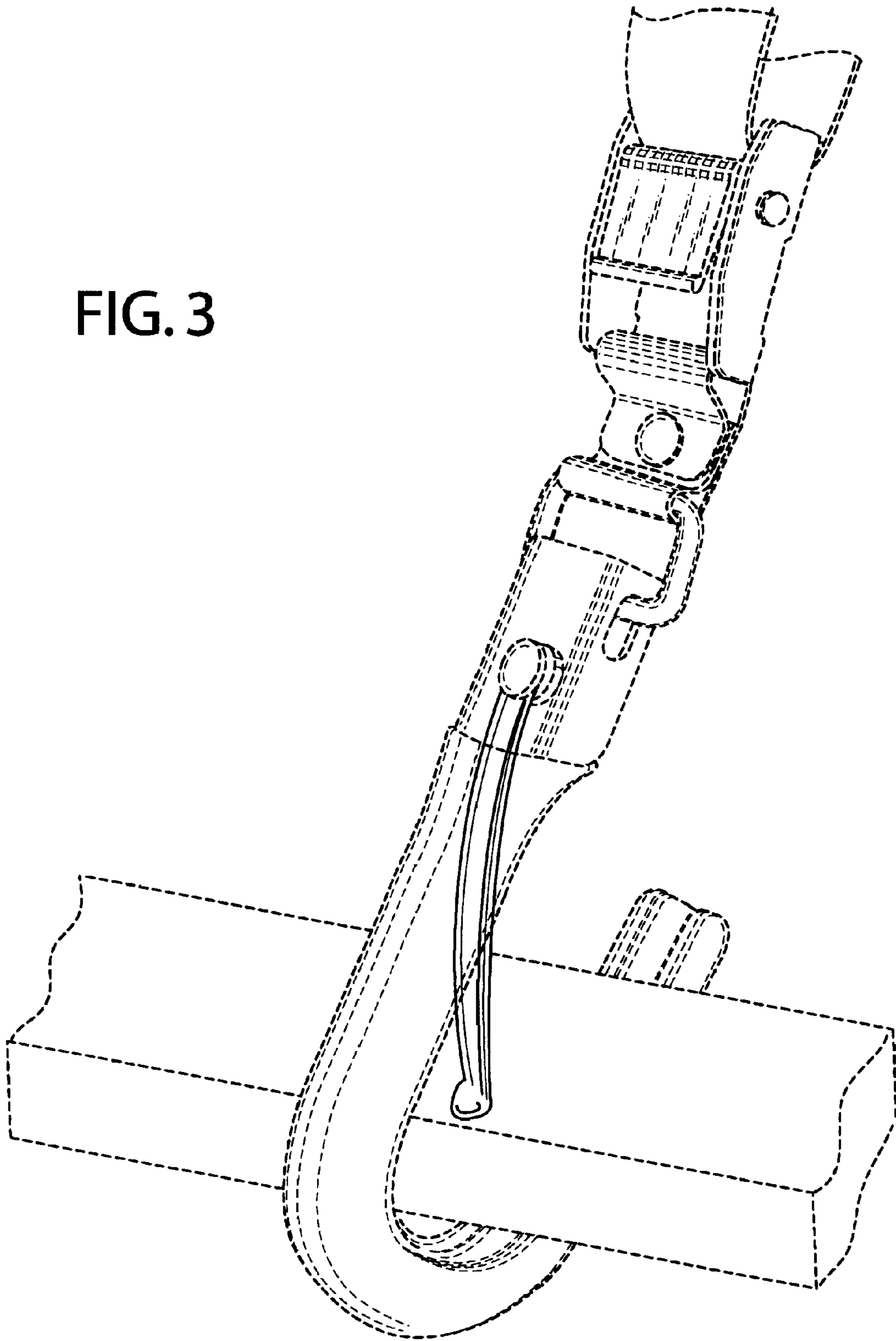
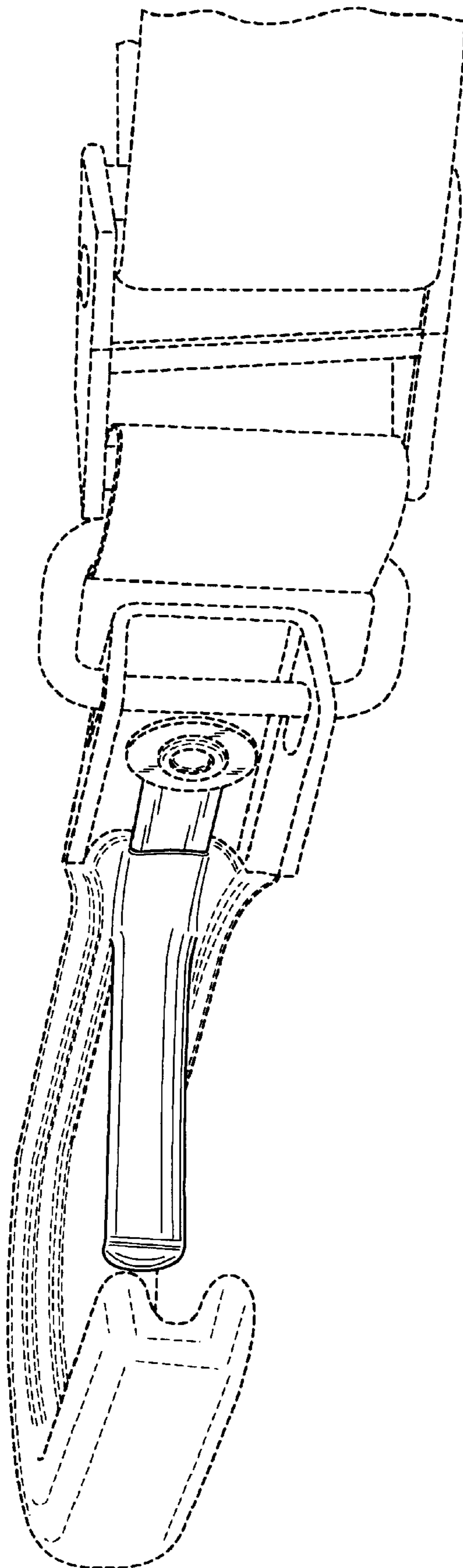


FIG. 4



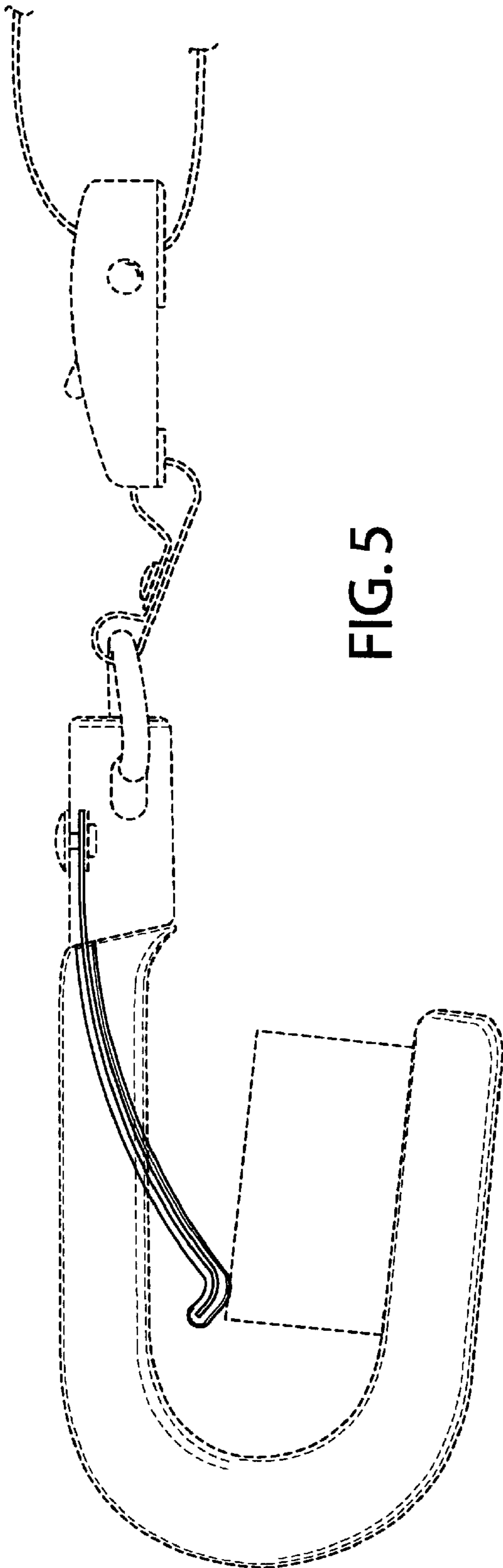


FIG. 5

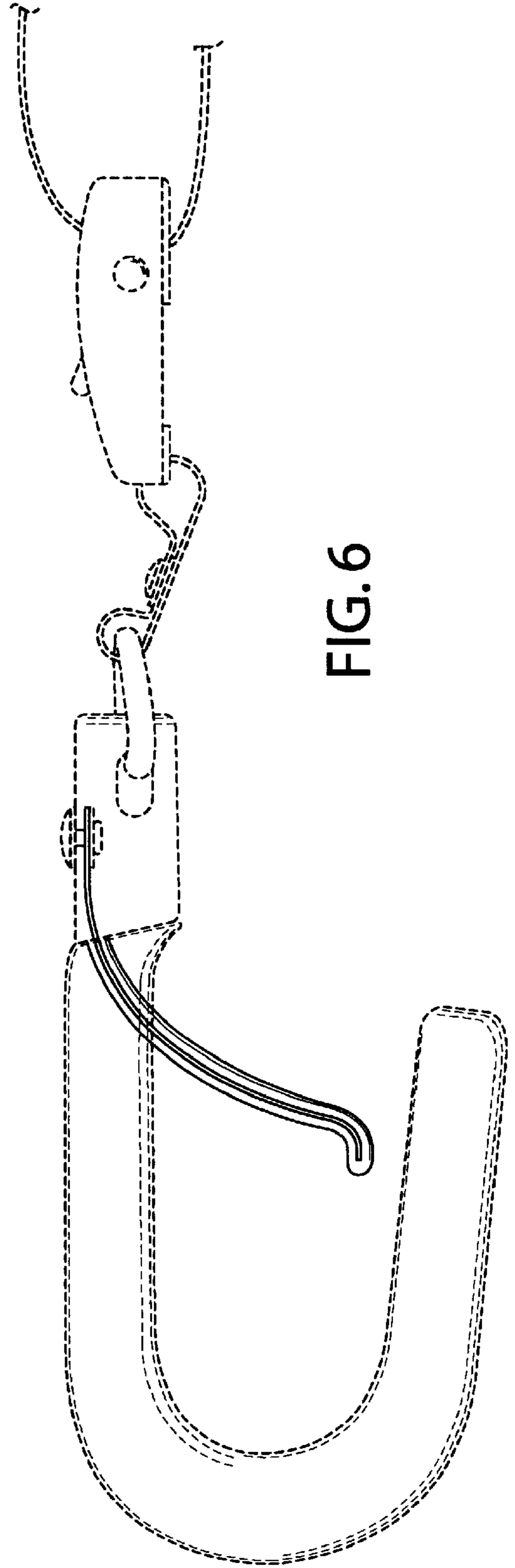


FIG. 6