



US00D488708S

(12) **United States Design Patent**
Lam et al.

(10) **Patent No.:** **US D488,708 S**
(45) **Date of Patent:** **** Apr. 20, 2004**

(54) **MOUNTING SYSTEM**

(75) Inventors: **Derrick Quang Lam**, Cicero, IL (US);
Dugan O'Keene, Forest Park, IL (US)

(73) Assignee: **Peerless Industries, Inc.**, Melrose Park, IL (US)

(**) Term: **14 Years**

(21) Appl. No.: **29/182,366**

(22) Filed: **May 23, 2003**

(51) **LOC (7) Cl.** **08-05**

(52) **U.S. Cl.** **D8/363**

(58) **Field of Search** D8/349, 354, 363,
D8/373, 380; D14/375, 433, 451, 224;
248/124.1, 240, 278.1, 280.11, 284.1, 291.1,
309.1, 316.4, 917, 918, 919, 920, 921,
922, 923, 924; 361/681, 682, 825; D6/513,
553, 567

(56) **References Cited**

U.S. PATENT DOCUMENTS

4,470,106 A	*	9/1984	Norton	362/398
5,201,896 A	*	4/1993	Kruszewski	248/278.1
D349,640 S	*	8/1994	Whitaker	D8/363
5,537,290 A		7/1996	Brown et al.		
5,611,513 A		3/1997	Rosen		

5,812,368 A		9/1998	Chen et al.		
D406,228 S	*	3/1999	Vogels	D8/363
5,967,479 A		10/1999	Sweere et al.		
5,992,809 A		11/1999	Sweere et al.		
6,019,332 A		2/2000	Sweere et al.		
D440,863 S	*	4/2001	Worrall	D8/363
6,604,723 B2	*	8/2003	Rose et al.	248/917

* cited by examiner

Primary Examiner—Doris V. Coles
Assistant Examiner—Elizabeth A. Albert
(74) *Attorney, Agent, or Firm*—Foley & Lardner

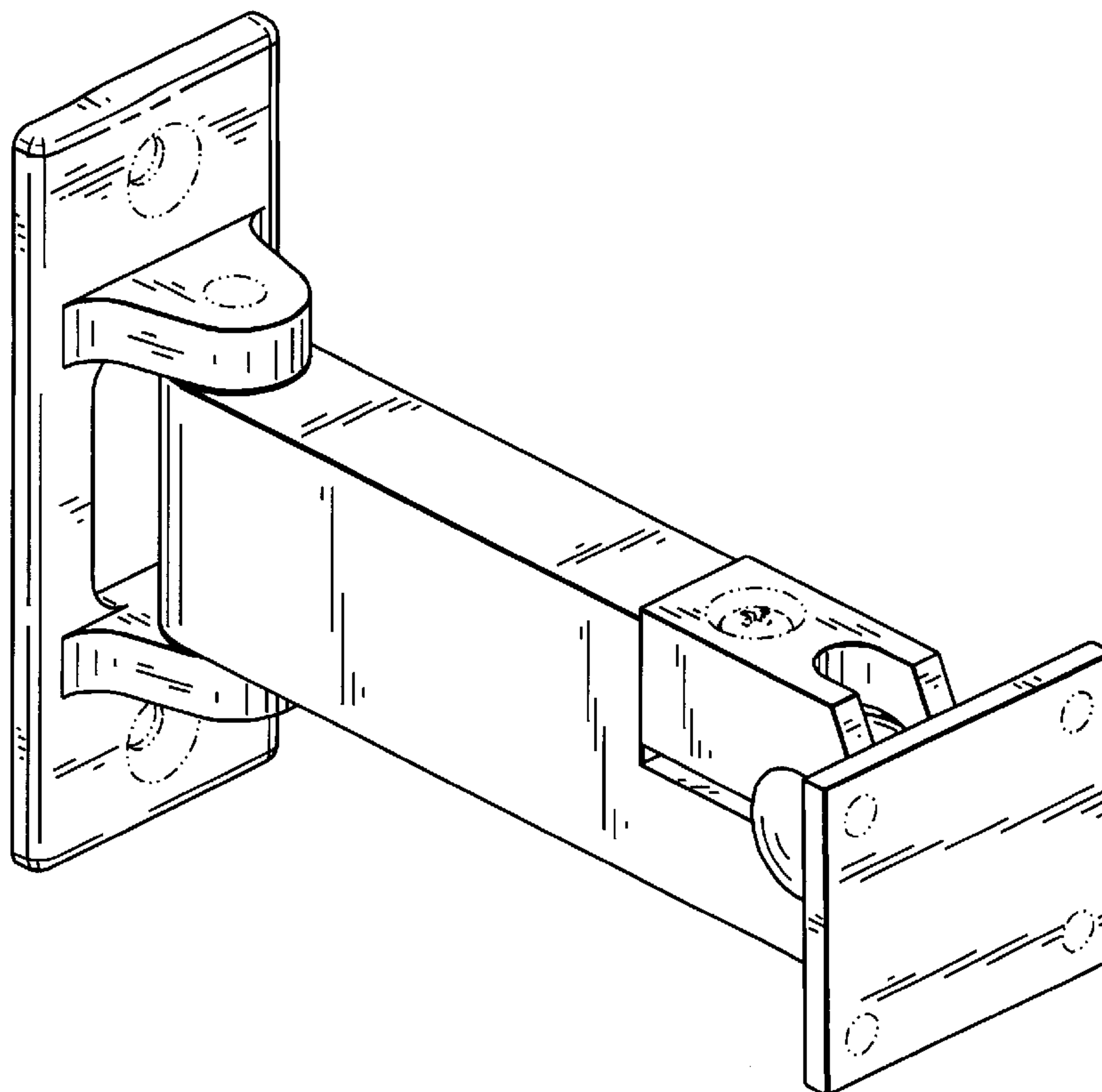
(57) **CLAIM**

We claim the ornamental design for a mounting system, as shown and described.

DESCRIPTION

FIG. 1 is a perspective view of a mounting system showing our new design;
FIG. 2 is a side view thereof;
FIG. 3 is a top plan view thereof;
FIG. 4 is a bottom plan view thereof;
FIG. 5 is a front end view thereof; and,
FIG. 6 is a rear end view thereof.
The broken lines in the drawings are for illustrative purposes only and form no part of the claimed design.

1 Claim, 3 Drawing Sheets



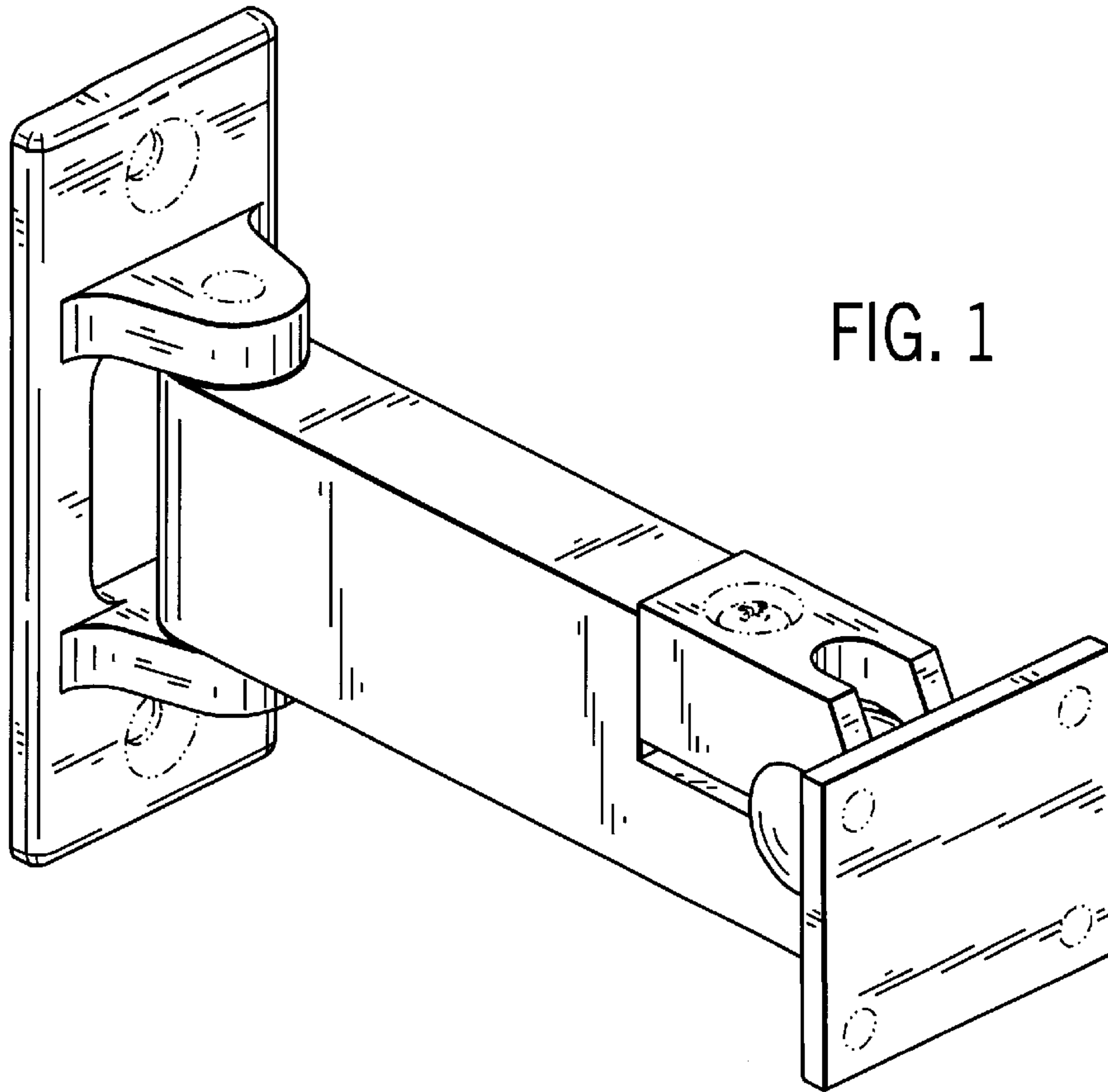


FIG. 1

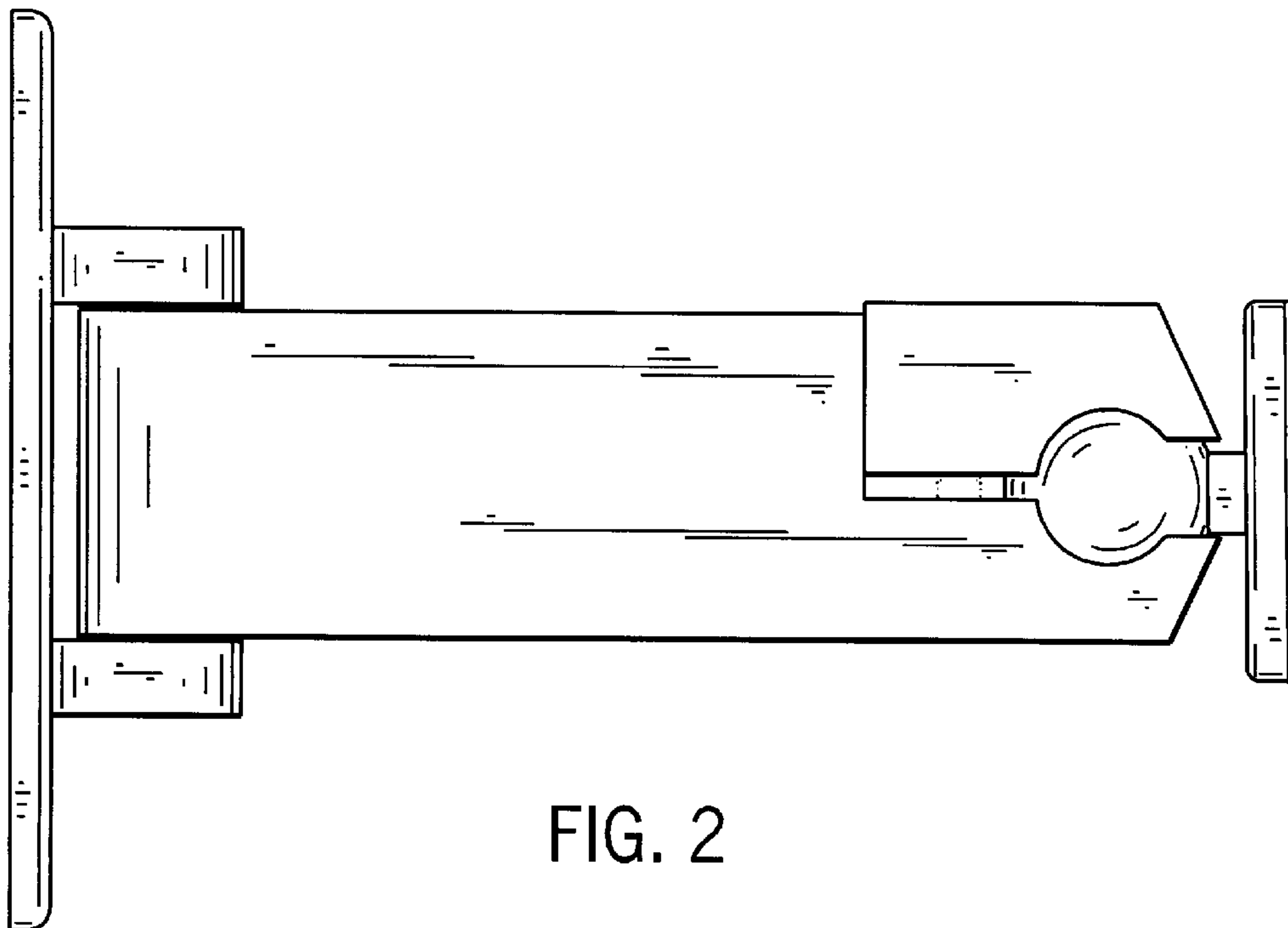


FIG. 2

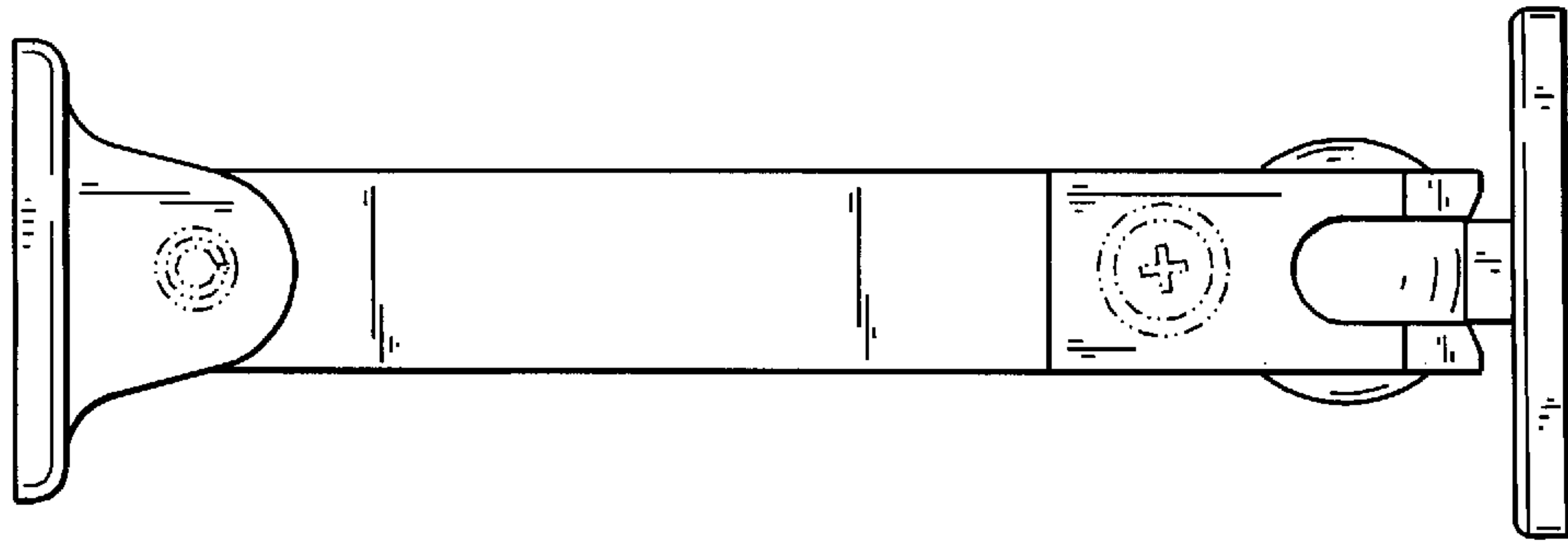


FIG. 3

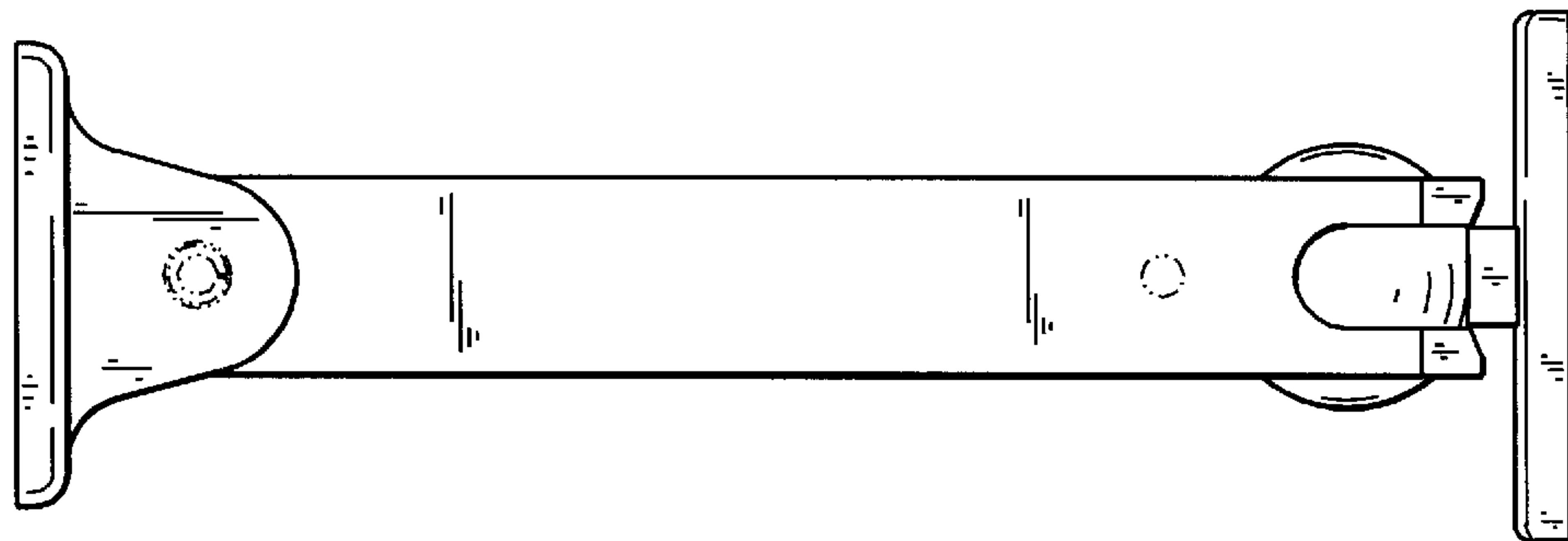


FIG. 4

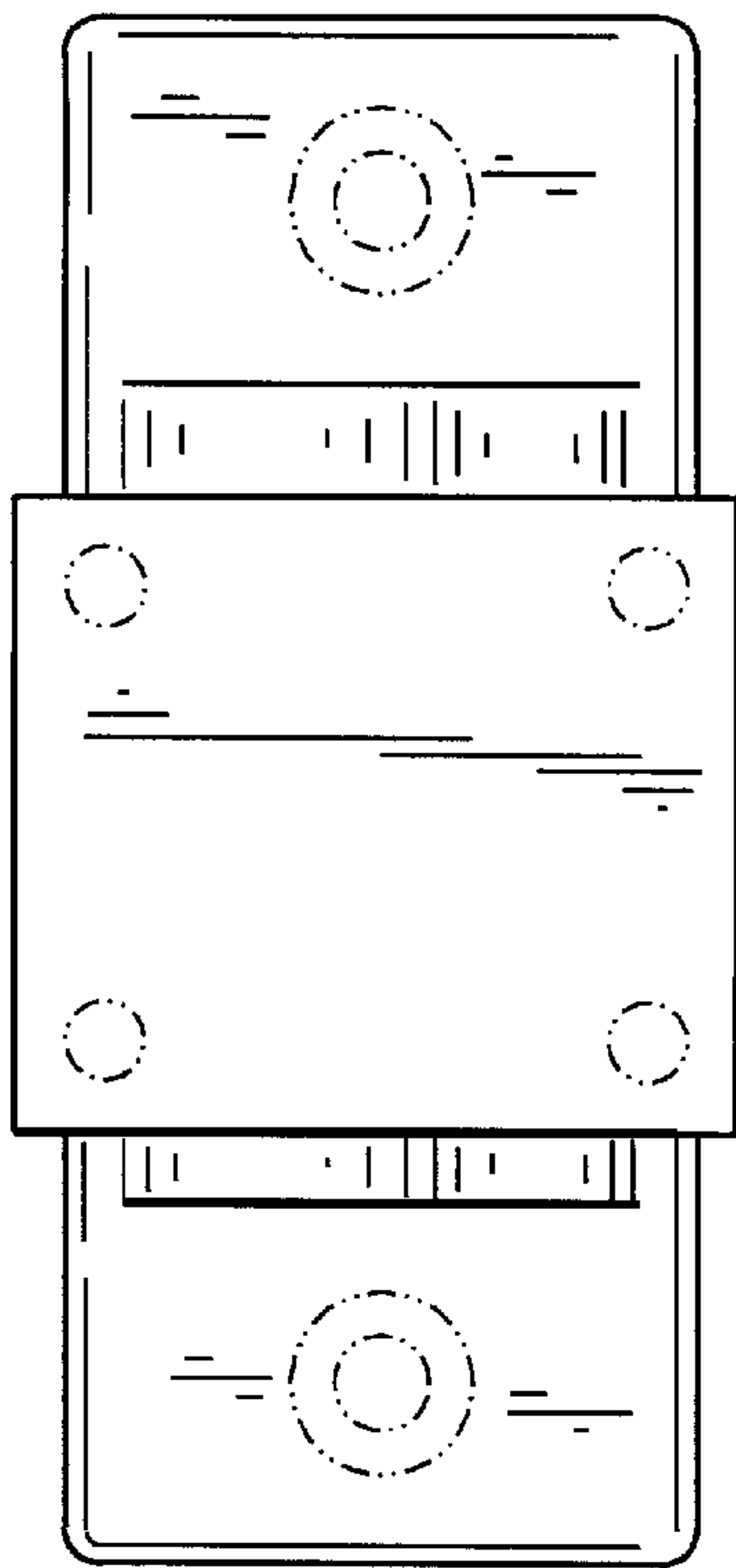


FIG. 5

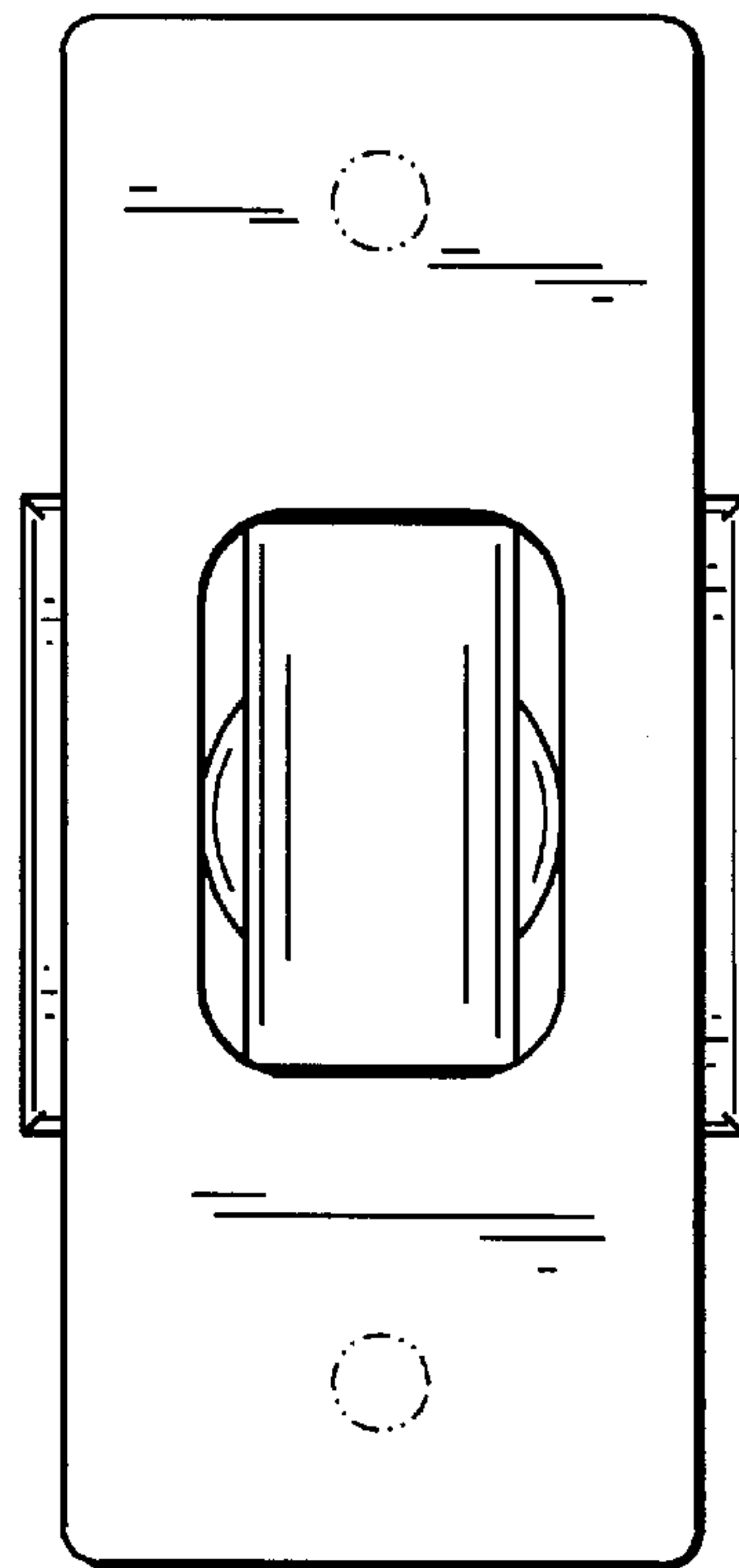


FIG. 6