



US00D488705S

(12) **United States Design Patent**
Mendelsohn et al.

(10) **Patent No.:** **US D488,705 S**

(45) **Date of Patent:** **** Apr. 20, 2004**

(54) **WALL BRACKET**

D449,973 S * 11/2001 Ferrer Beltran D8/354

(76) Inventors: **Fred M. Mendelsohn**, 1214 W. Cass St., Tampa, FL (US) 33606; **Simon A. H. Lee**, No. 8-10, Dah Buu, Wu Chan Village, Dah Yuan Hsian (TW)

* cited by examiner

Primary Examiner—Doris V. Coles
Assistant Examiner—Elizabeth Albert
(74) *Attorney, Agent, or Firm*—Arthur W. Fisher, III

(**) Term: **14 Years**

(57) **CLAIM**

(21) Appl. No.: **29/177,682**

The ornamental design for a wall bracket, as shown and described.

(22) Filed: **Mar. 12, 2003**

DESCRIPTION

(51) **LOC (7) Cl.** **08-05**

(52) **U.S. Cl.** **D8/354**

(58) **Field of Search** D8/349, 354, 363, D8/355, 373, 380; D14/238; D26/92, 145, 155; 248/200, 205.1, 207, 214, 309.1, 279.1, 917, 918, 919, 920, 921, 922, 923, 924, 121, 288.11, 317; D25/134

FIG. 1 is a front view of the wall bracket of the present invention.

FIG. 2 is a rear view of the wall bracket of the present invention.

FIG. 3 is a bottom view of the wall bracket of the present invention.

FIG. 4 is a left side view of the wall bracket of the present invention.

FIG. 5 is a right side view of the wall bracket of the present invention; and,

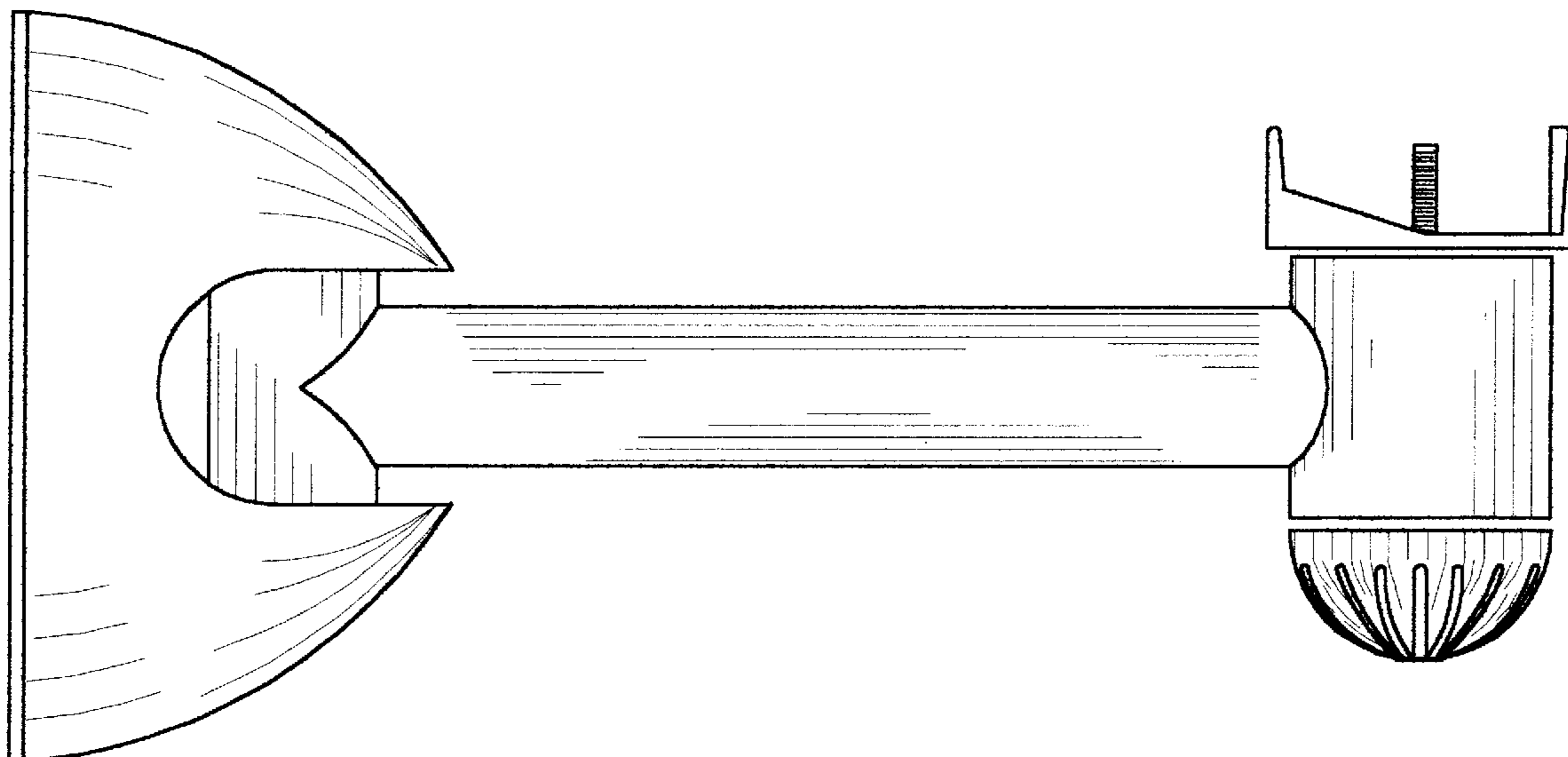
FIG. 6 is a top view of the wall bracket of the present invention.

(56) **References Cited**

U.S. PATENT DOCUMENTS

- 3,392,950 A * 7/1968 Pierce 248/279.1
- D410,837 S * 6/1999 Vogels D8/363
- D441,275 S * 5/2001 Benzi et al.

1 Claim, 5 Drawing Sheets



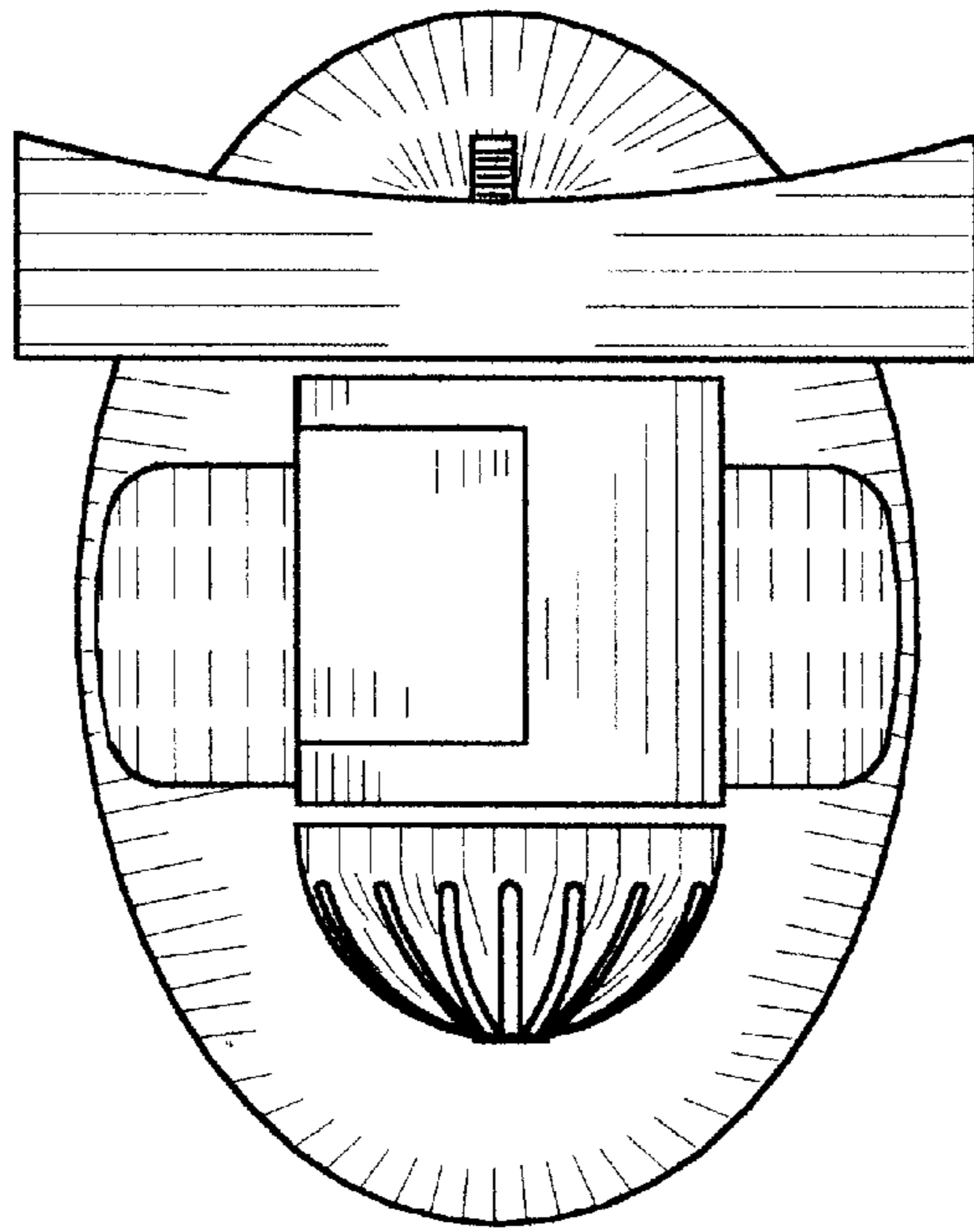


FIG. 1

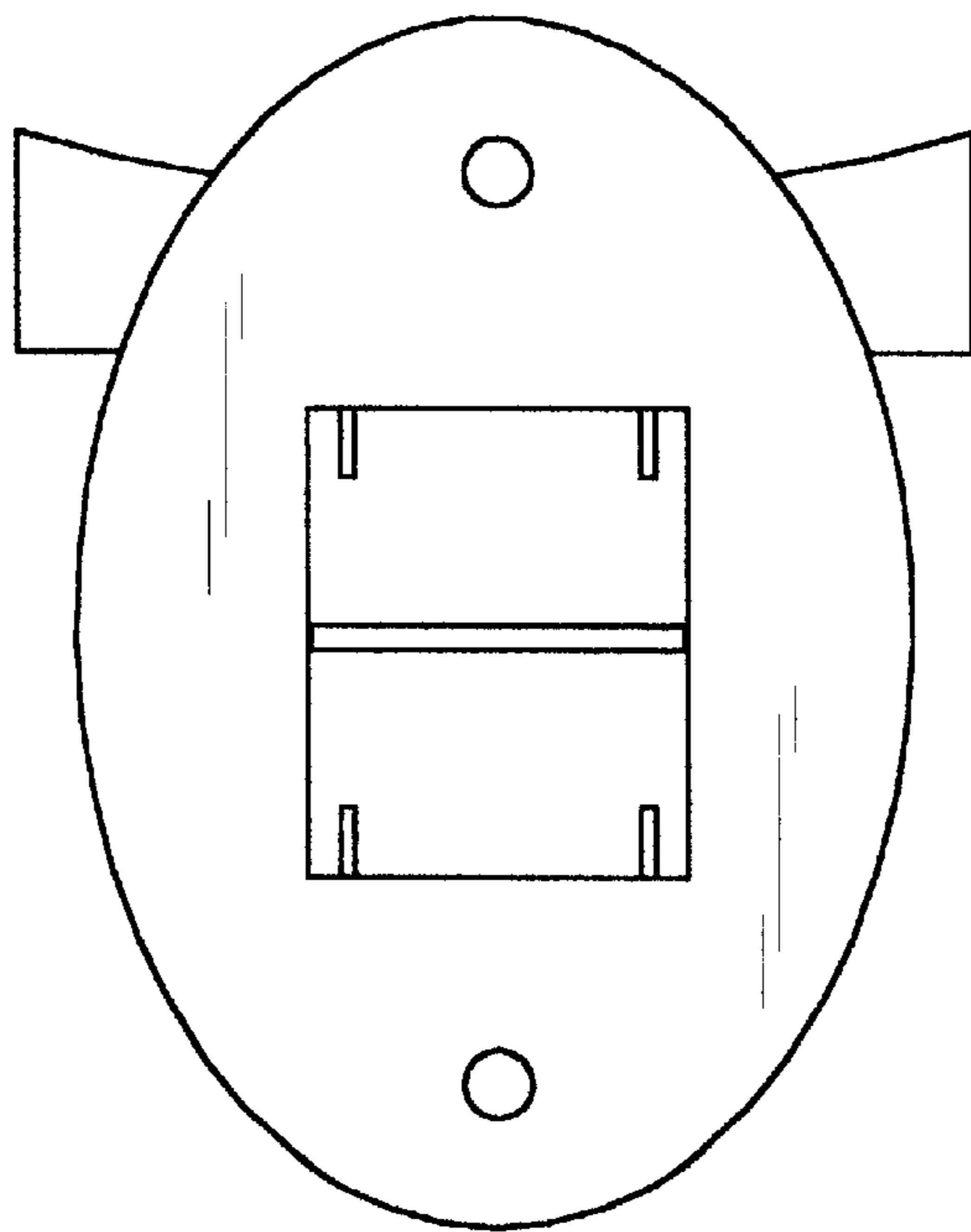


FIG. 2

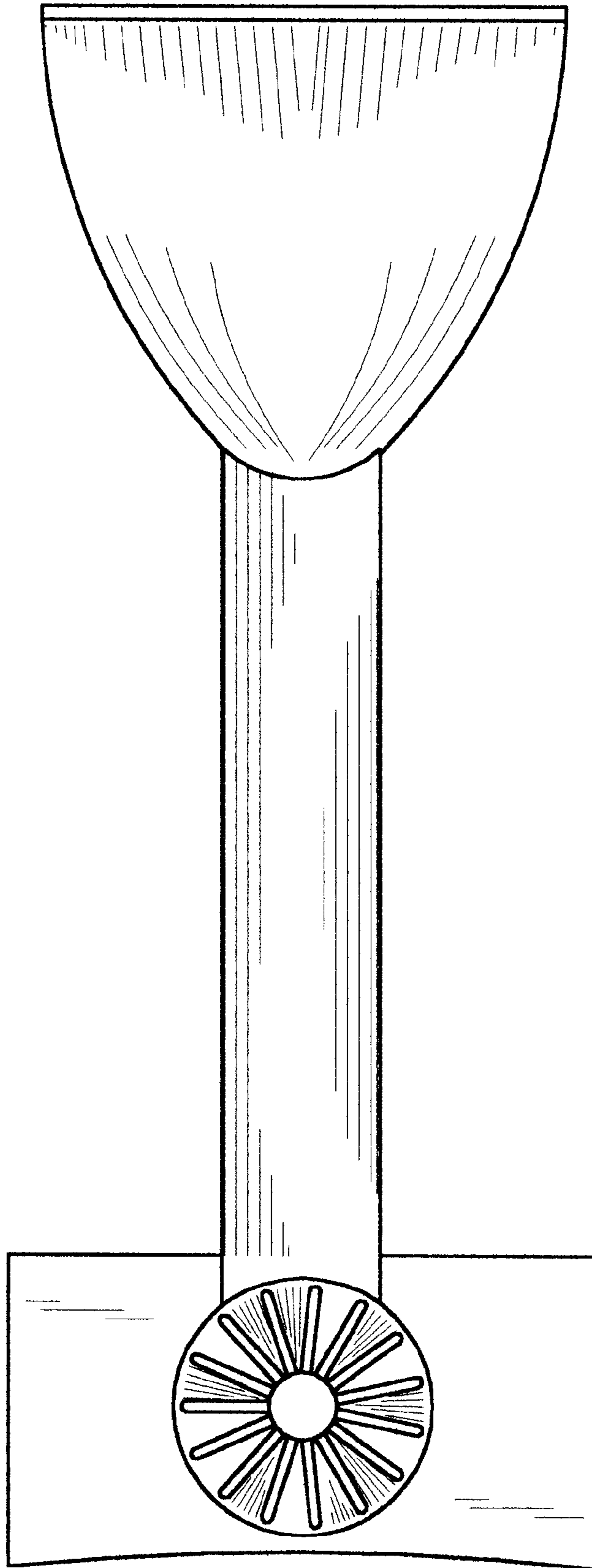


FIG. 3

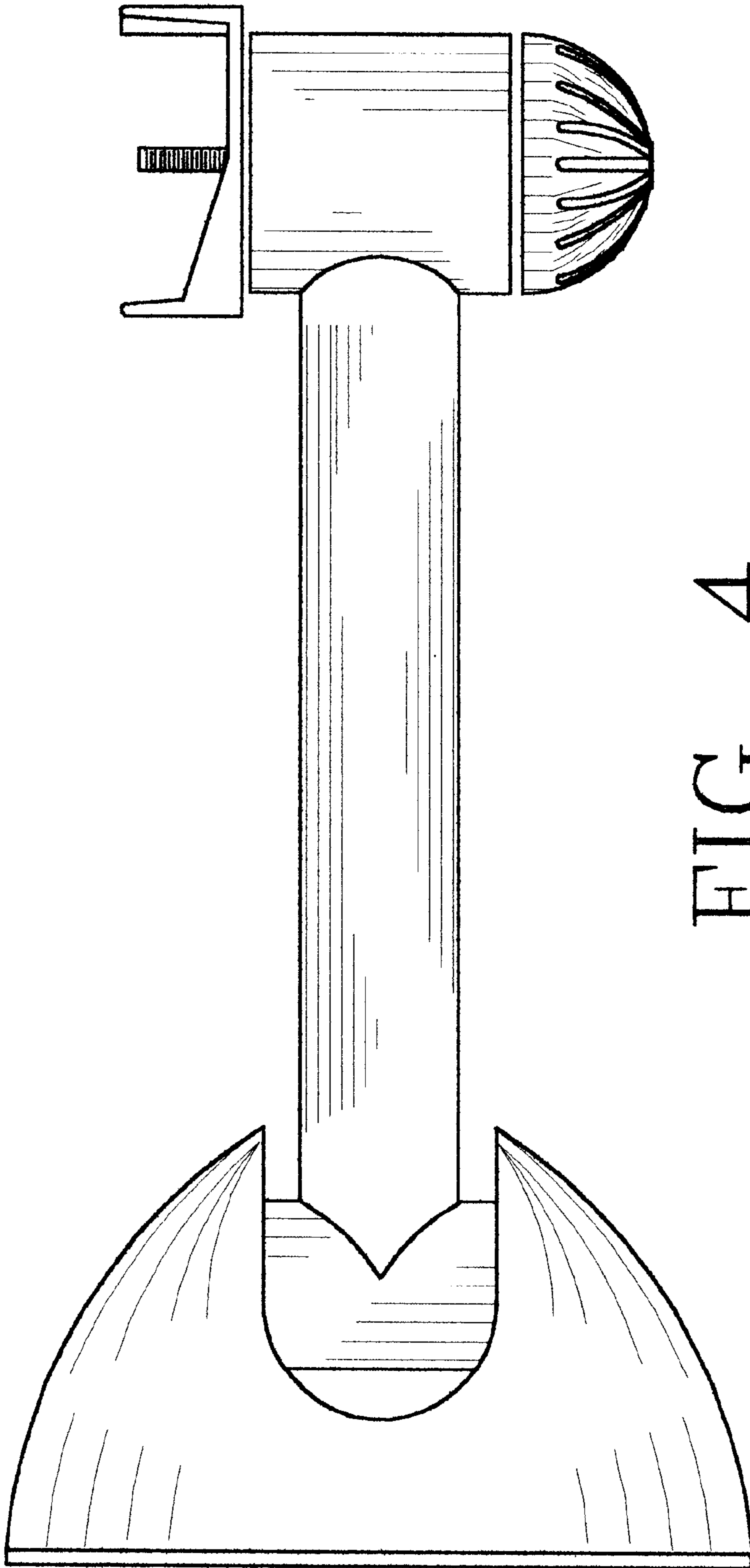


FIG. 4

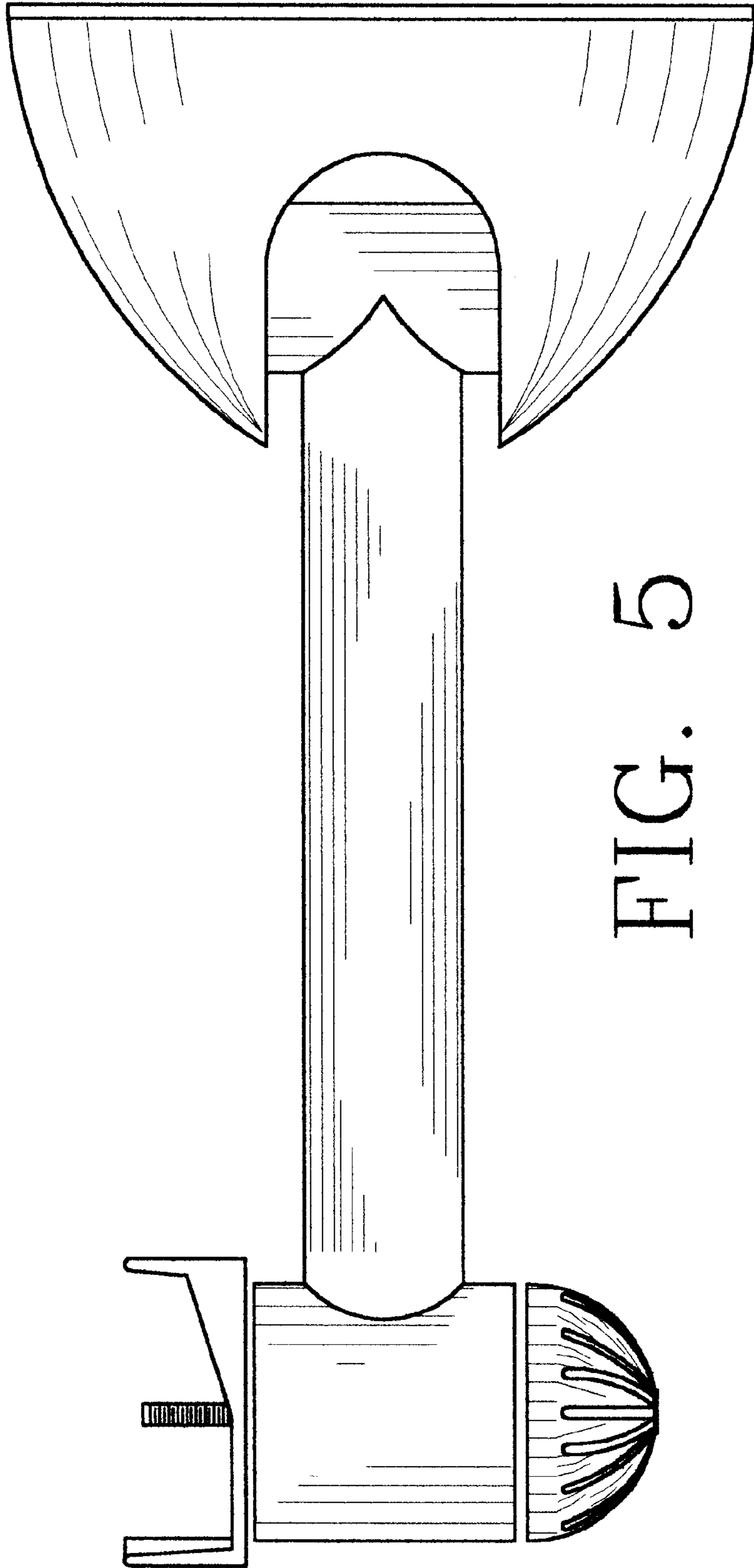


FIG. 5

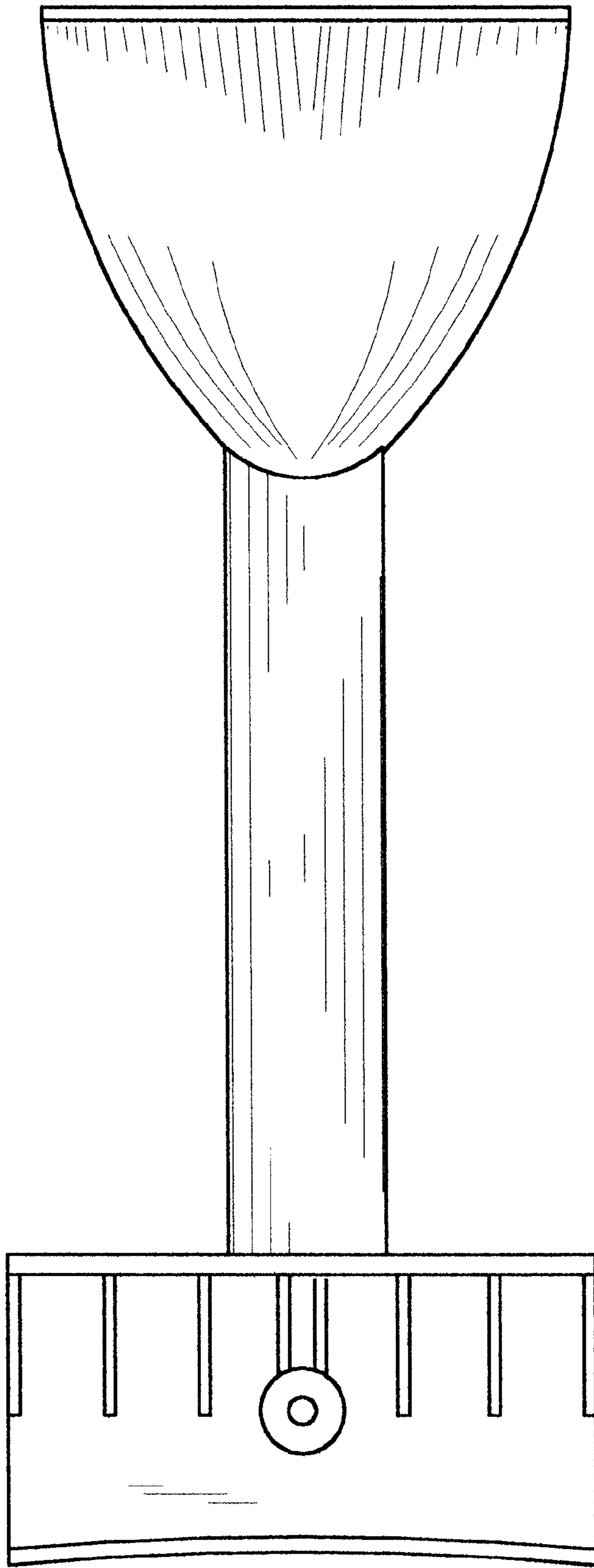


FIG. 6