



US00D488704S

(12) **United States Design Patent**
Mercier

(10) **Patent No.:** **US D488,704 S**

(45) **Date of Patent:** **** Apr. 20, 2004**

(54) **SUPPORT BRACKET**

(76) **Inventor:** **John Mercier**, P.O. Box 333, Cuddy,
PA (US) 15031

(**) **Term:** **14 Years**

(21) **Appl. No.:** **29/176,404**

(22) **Filed:** **Feb. 24, 2003**

Related U.S. Application Data

(63) Continuation-in-part of application No. 10/059,970, filed on
Jan. 30, 2002, now Pat. No. 6,543,731.

(51) **LOC (7) Cl.** **08-05**

(52) **U.S. Cl.** **D8/354**

(58) **Field of Search** D6/512, 524, 528,
D6/531, 550; D8/1, 349, 352, 354, 355,
363, 366, 371, 373-380, 382; D11/182;
D23/233, 259, 266, 393, 394; 116/173,
174; 211/74; 248/49, 56, 57, 58, 59, 60,
62, 65, 66, 68.1, 200, 201, 205.1, 220.21,
300, 309.1, 317, 346.01, 346.03, 511, 518,
519, 523, 529, 534, 539, 541, 688; 285/61,
64; 403/346, 384, 385, 386, 400

(56) **References Cited**

U.S. PATENT DOCUMENTS

807,762 A	*	12/1905	Miller	16/94 R
905,142 A	*	12/1908	Bond	248/264
910,765 A	*	1/1909	Adelman	285/154.4
2,399,960 A	*	5/1946	Turner	248/156
2,571,641 A	*	10/1951	Wing	411/141
3,149,811 A	*	9/1964	Gorton	248/251
3,865,309 A	*	2/1975	Greenhalgh	239/268
3,897,922 A	*	8/1975	Keen	248/514
4,697,673 A	*	10/1987	Omata	188/291

4,886,125 A	*	12/1989	Reilly	172/371
5,110,073 A	*	5/1992	Schoenky	248/49
5,141,193 A	*	8/1992	Behr	248/309.1
5,607,313 A	*	3/1997	Nyman	439/83
6,019,557 A	*	2/2000	Lo et al.	411/176
6,336,620 B1	*	1/2002	Belli	248/519
6,394,055 B2	*	5/2002	Powell	123/184.21

OTHER PUBLICATIONS

Stanley Catalog, # 130 Hardware, sliding door flush pulls,
May 1980, p. 109.*

* cited by examiner

Primary Examiner—James Gandy

Assistant Examiner—Elizabeth Albert

(74) *Attorney, Agent, or Firm*—Carothers & Carothers

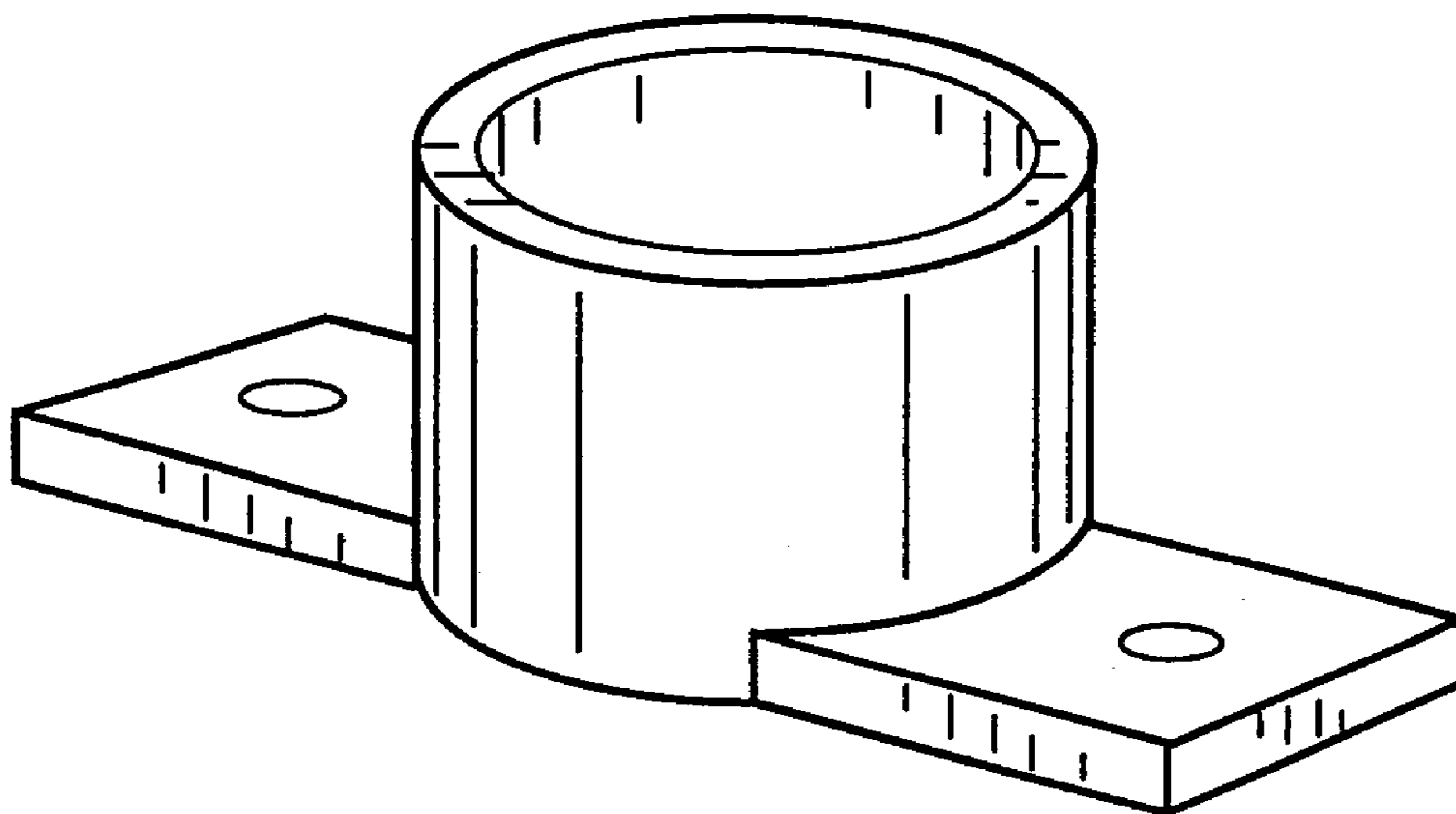
(57) **CLAIM**

The ornamental design for a support bracket, as shown and
described.

DESCRIPTION

FIG. 1 is a perspective view of the support bracket showing
my new design;
FIG. 2 is a front view of the support bracket shown in FIG.
1;
FIG. 3 is a back view of the support bracket shown in FIG.
1;
FIG. 4 is a right side view of the support bracket shown in
FIG. 1;
FIG. 5 is a left side view of the support bracket shown in
FIG. 1;
FIG. 6 is a top view of the support bracket shown in FIG. 1;
and,
FIG. 7 is a bottom view of the support bracket shown in FIG.
1.

1 Claim, 2 Drawing Sheets



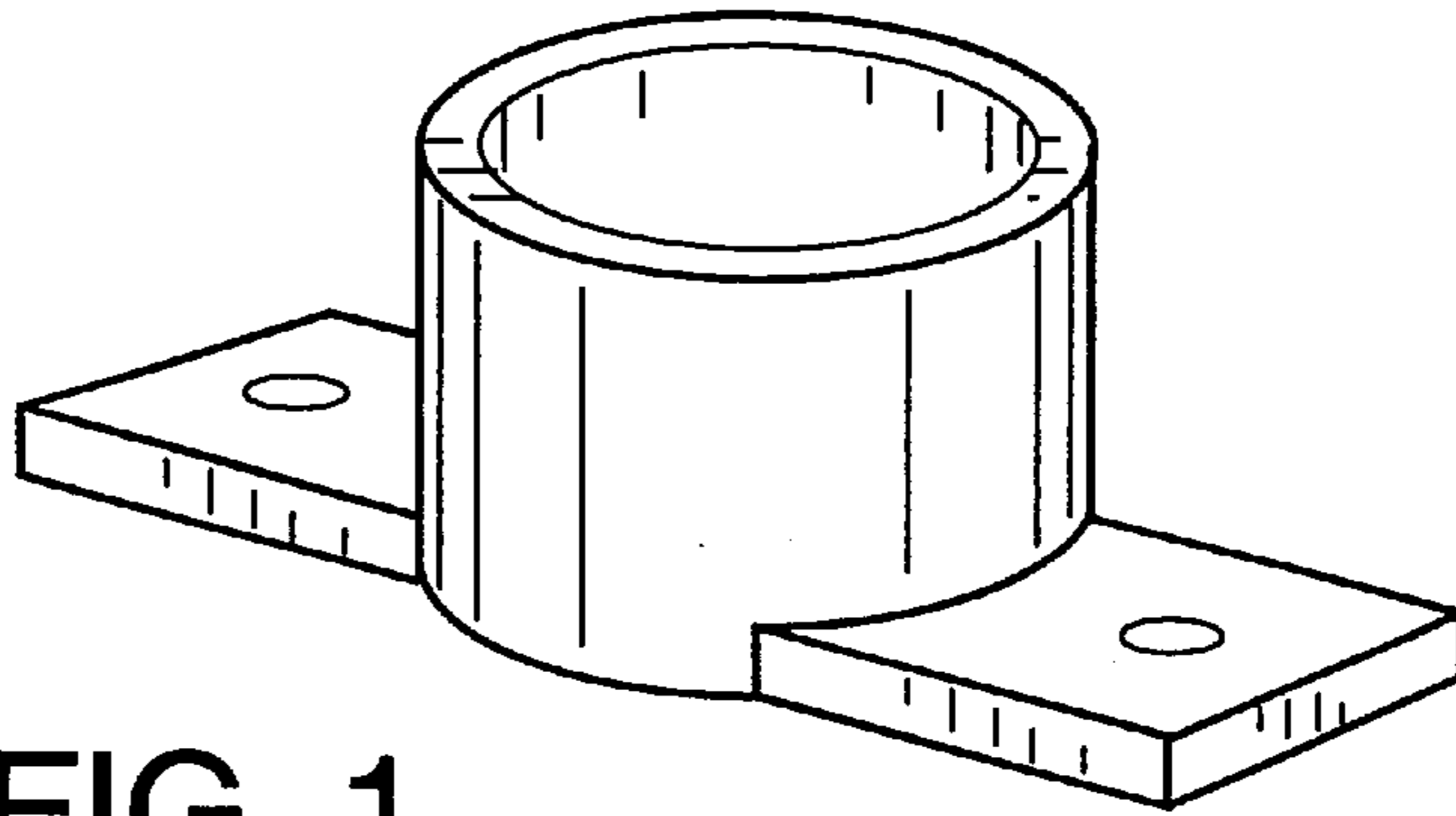


FIG. 1

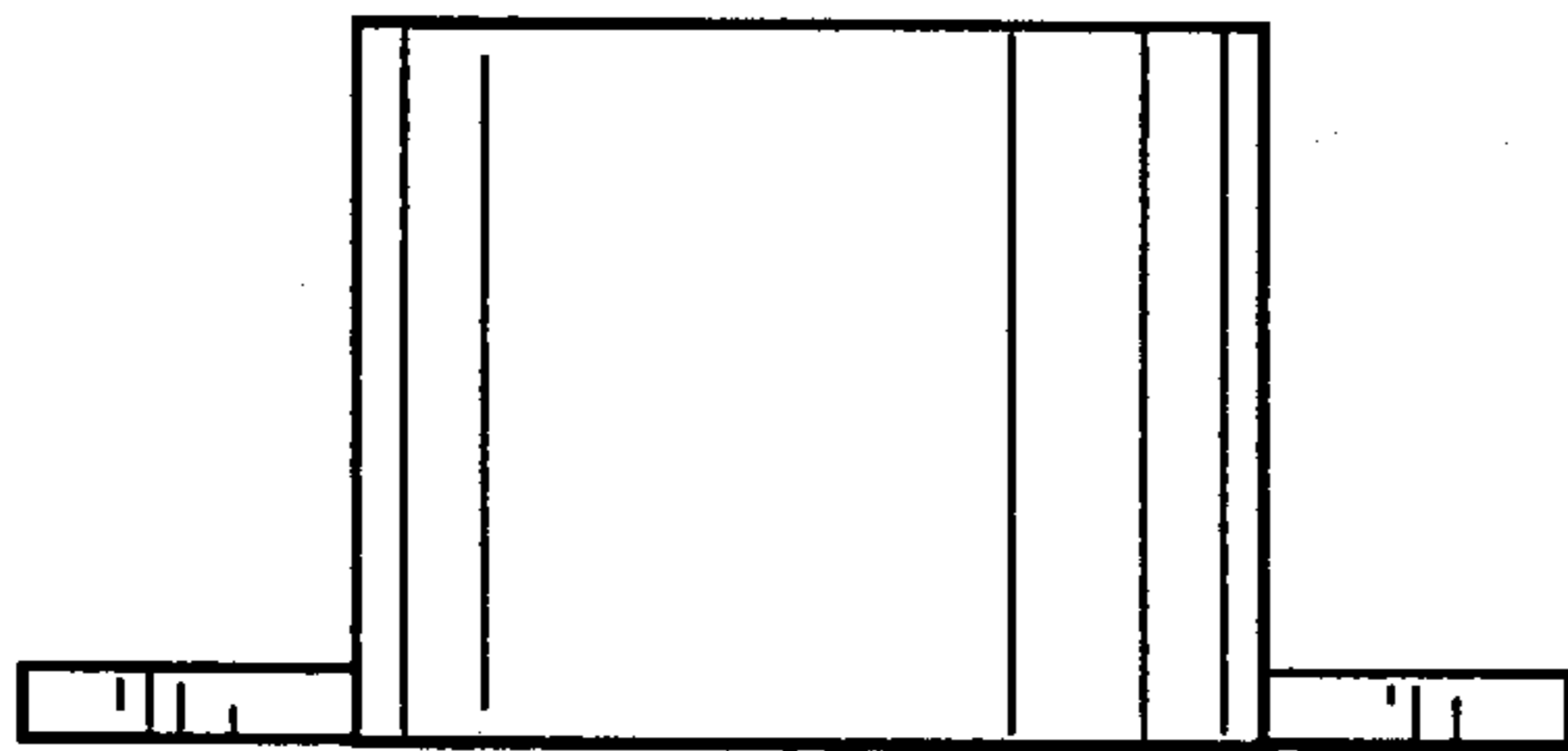


FIG. 2

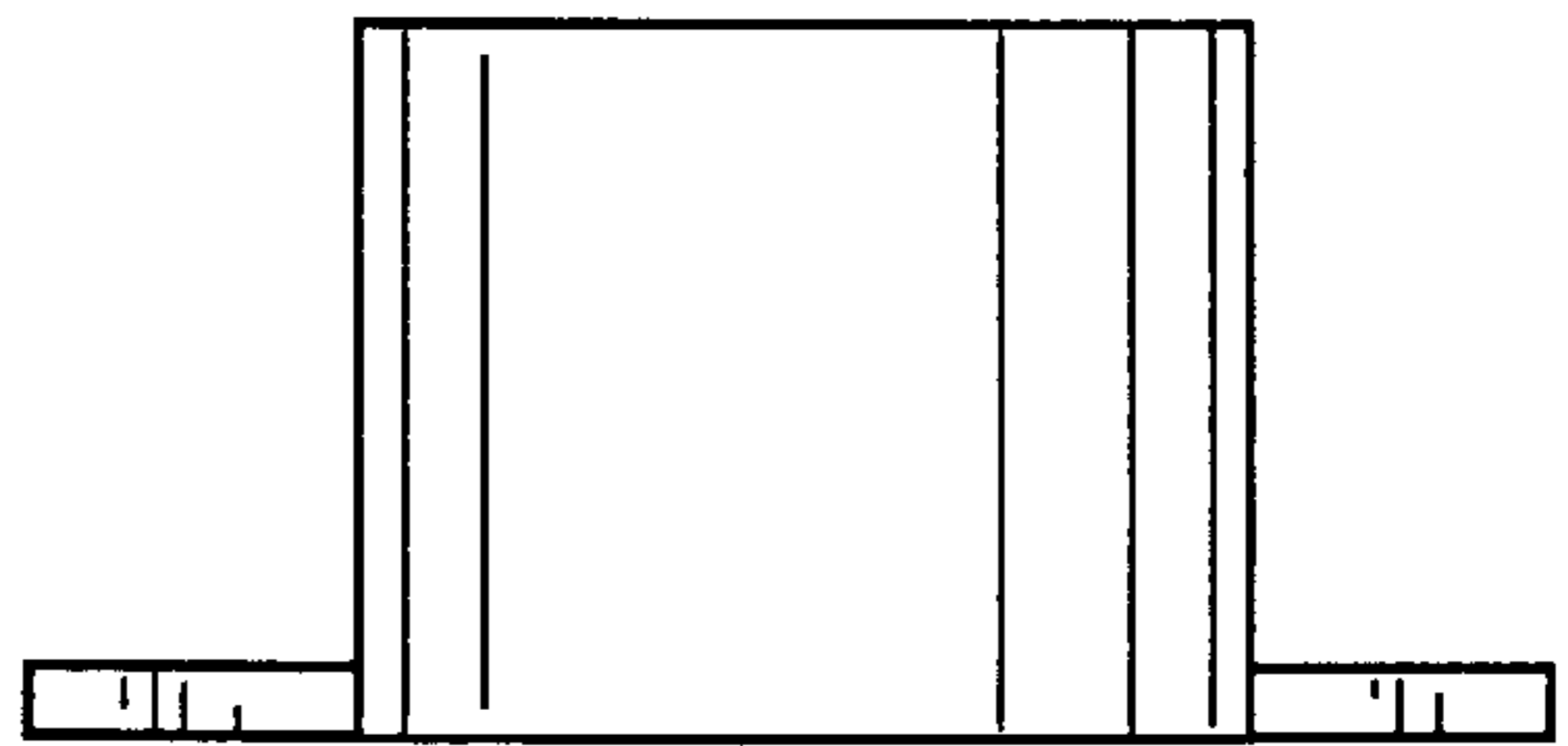


FIG. 3

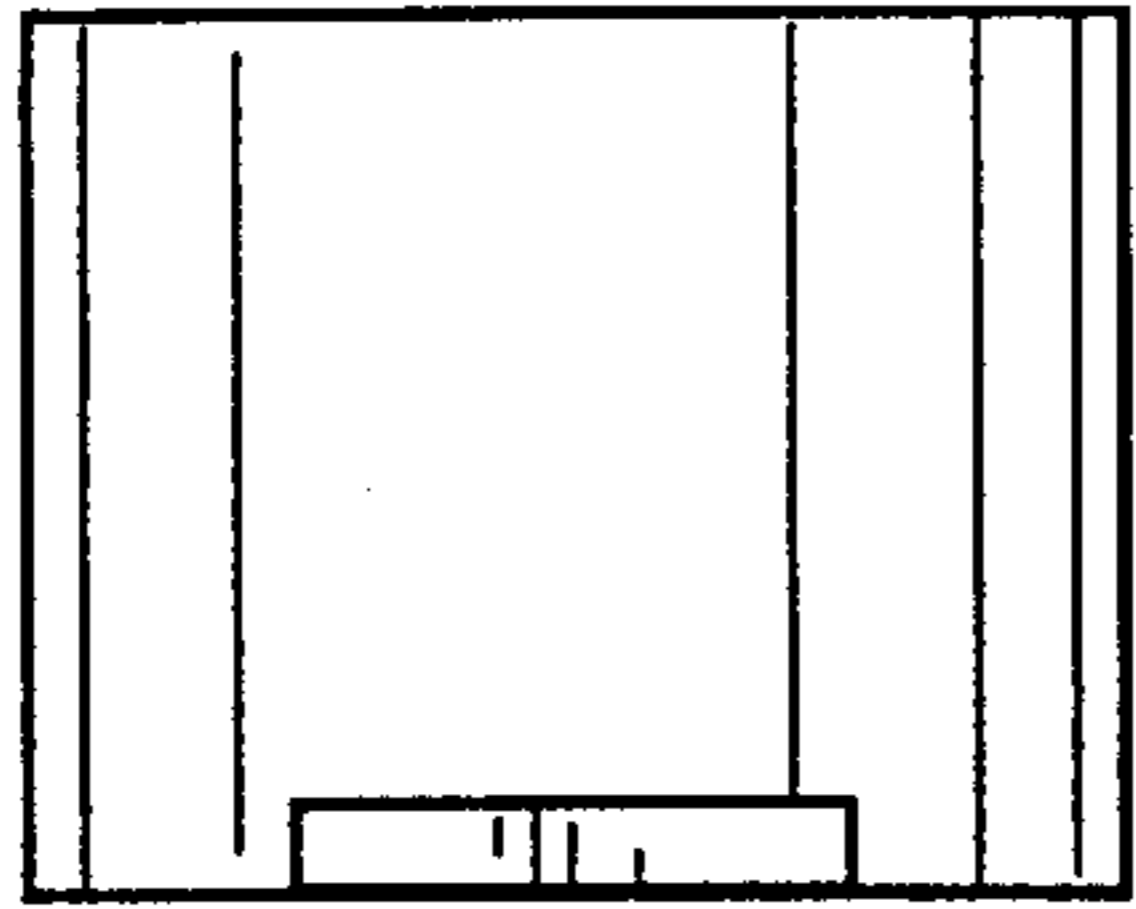


FIG. 4

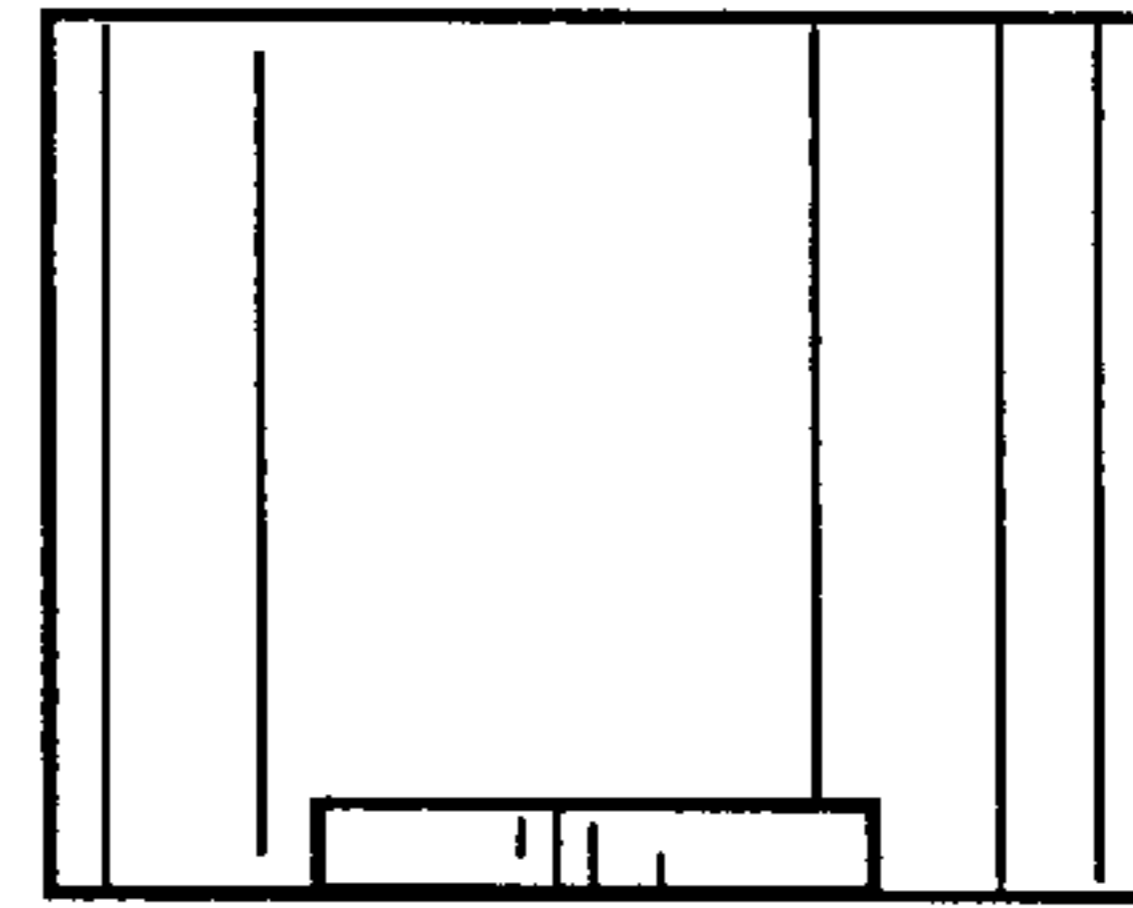


FIG. 5

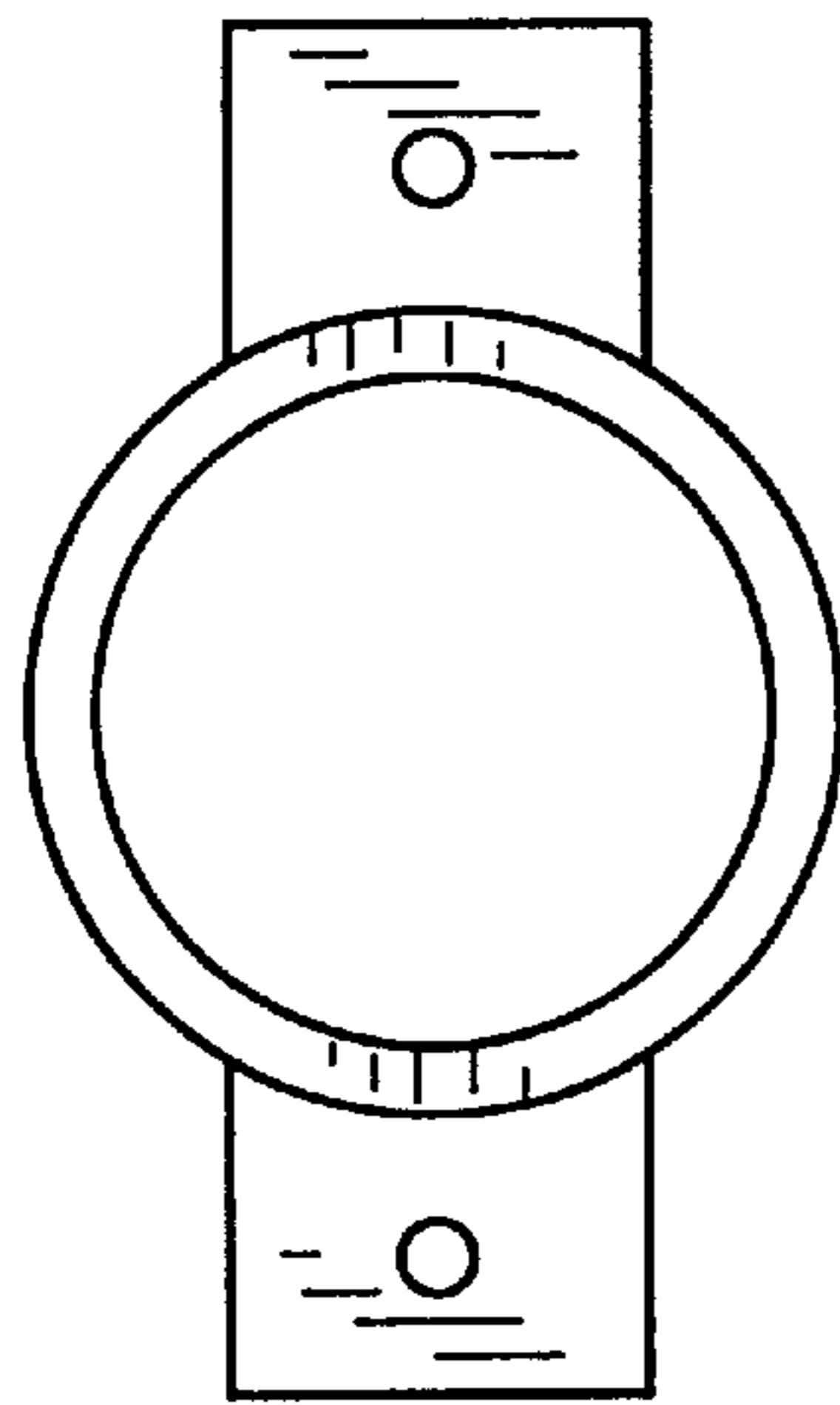


FIG. 6

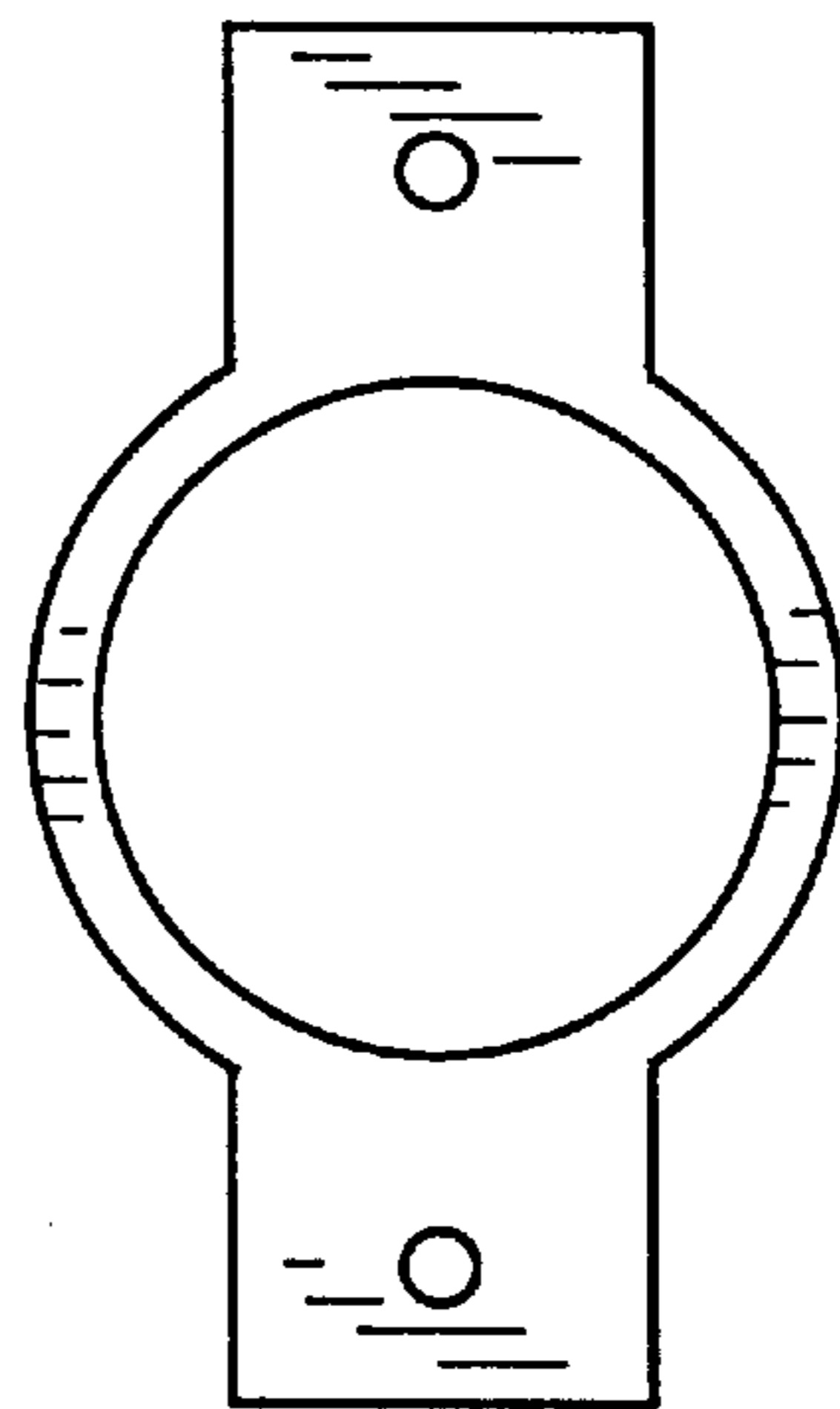


FIG. 7