



US00D488703S

(12) **United States Design Patent**
Denys

(10) **Patent No.:** **US D488,703 S**

(45) **Date of Patent:** **** Apr. 20, 2004**

(54) **INSIDE ESCUTCHEON PLATE ASSEMBLY**

*Primary Examiner—*Adir Aronovich

(74) *Attorney, Agent, or Firm—*Young & Basile P.C.

(75) Inventor: **Andre Denys**, Sterling Heights, MI
(US)

(57) **CLAIM**

(73) Assignee: **Fasco Die Cast, Inc.**, Mississauga (CA)

The ornamental design for an inside escutcheon plate assembly, as shown and described.

(**) Term: **14 Years**

DESCRIPTION

(21) Appl. No.: **29/182,699**

(22) Filed: **May 30, 2003**

(51) **LOC (7) Cl.** **11-05**

(52) **U.S. Cl.** **D8/352; D8/350**

(58) **Field of Search** D8/300–302, 350,
D8/352, 353; 16/402; 70/450, 452; 292/357

FIG. 1 is a perspective view of an inside escutcheon plate assembly;

FIG. 2 is a front view of FIG. 1;

FIG. 3 is a back view of FIG. 1;

FIG. 4 is a right-side view of FIG. 1;

FIG. 5 is a left-side view of FIG. 1;

FIG. 6 is a top view of FIG. 1; and,

FIG. 7 is a bottom view of FIG. 1.

(56) **References Cited**

U.S. PATENT DOCUMENTS

D261,726 S	*	11/1981	Valli	D8/301
D362,380 S	*	9/1995	Ellis et al.	D8/301
D393,994 S	*	5/1998	Hankel et al.	D8/302
D437,771 S	*	2/2001	Barnes et al.	D8/352
D472,794 S	*	4/2003	LaPlume et al.	D8/350

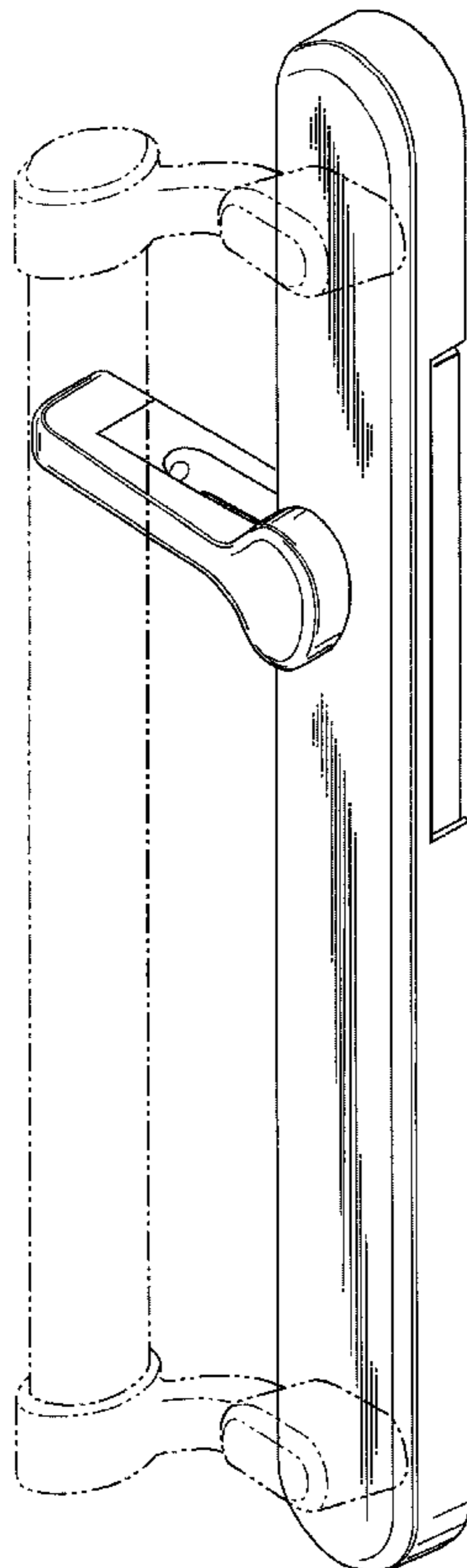
The portions of the article in broken lines are shown for illustrative purposes only and form no part of the claimed design.

OTHER PUBLICATIONS

Baldwin Hardware Catalog, 1978 p. 2 (St.Louis handle set).*

* cited by examiner

1 Claim, 3 Drawing Sheets



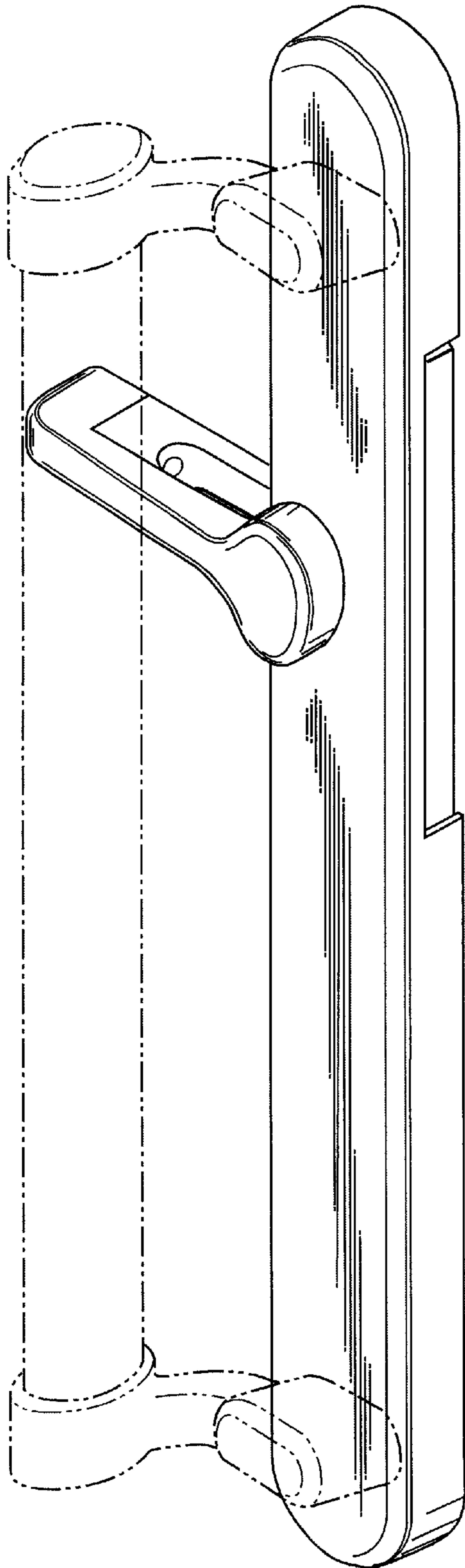


FIG - 1

FIG - 6

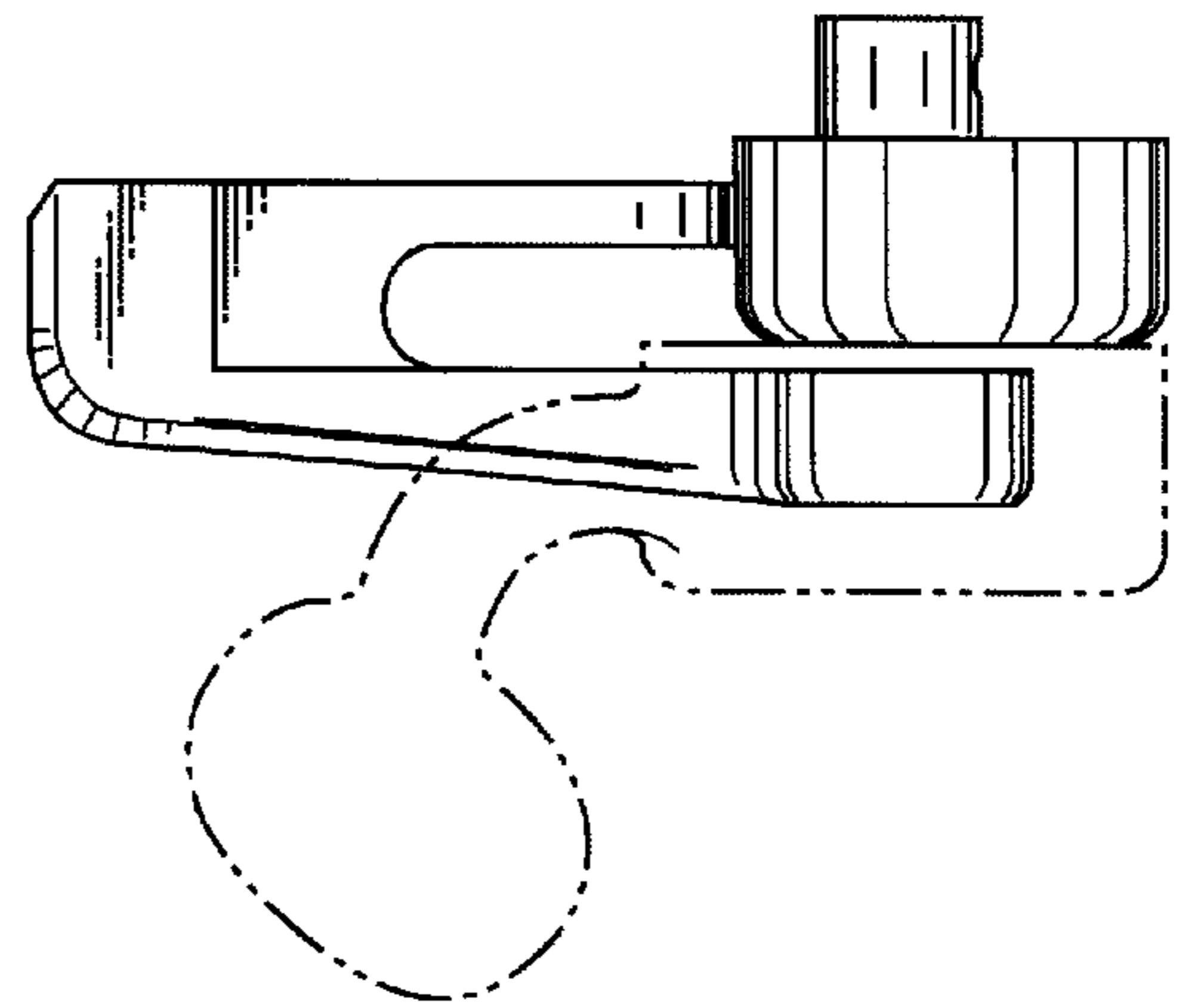


FIG - 7

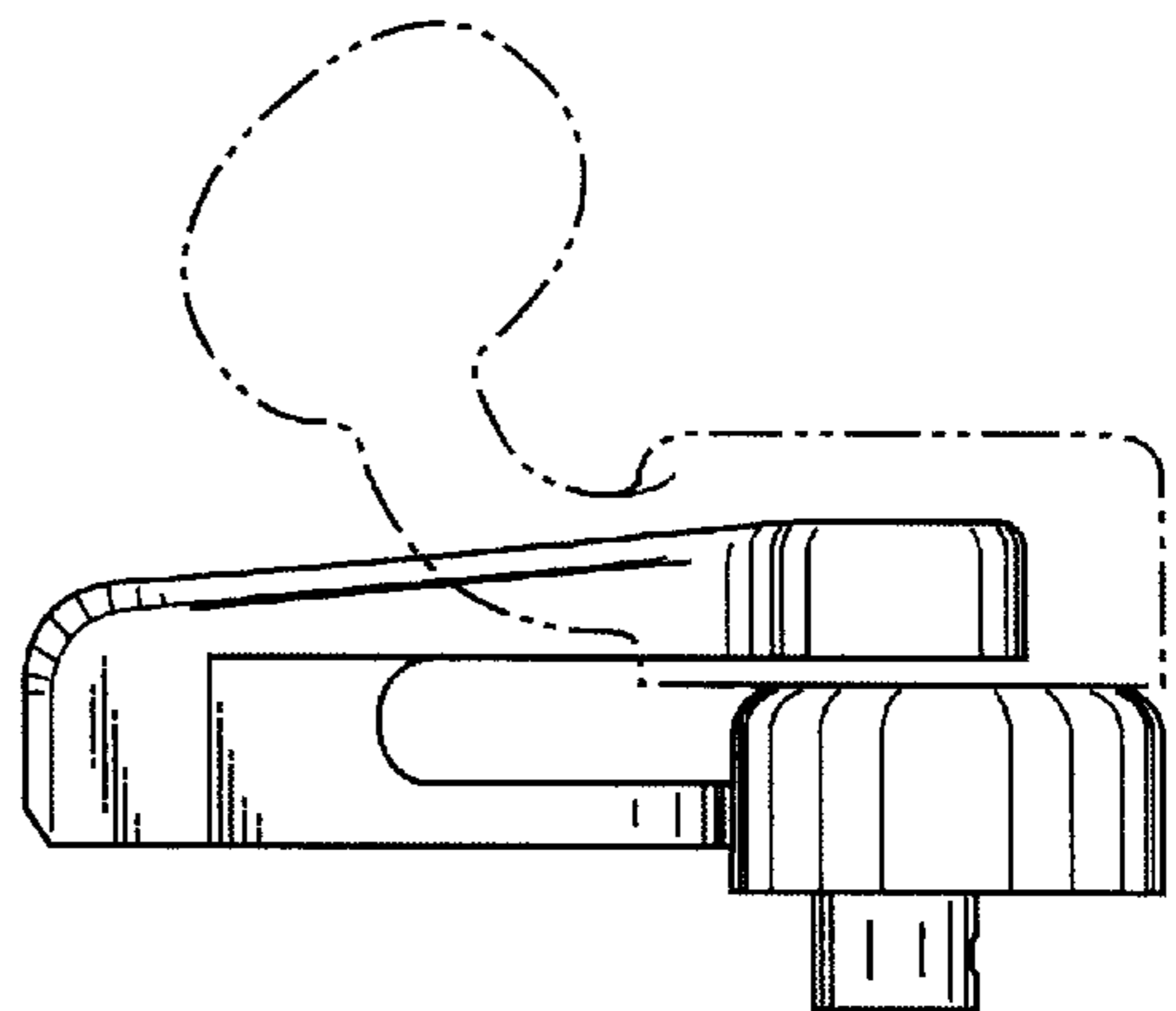


FIG - 2

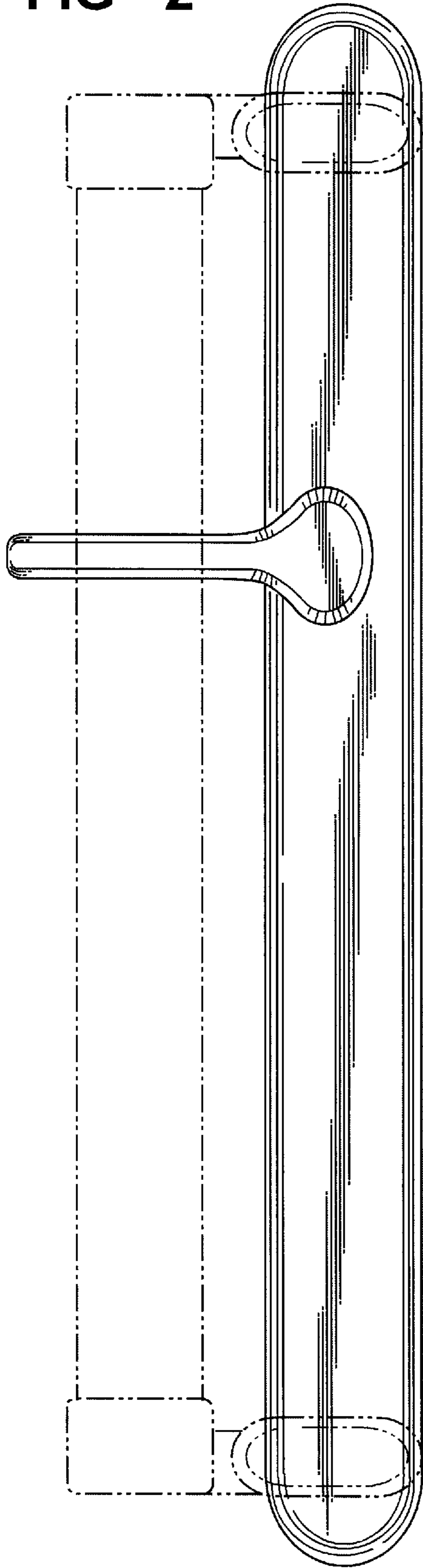


FIG - 3

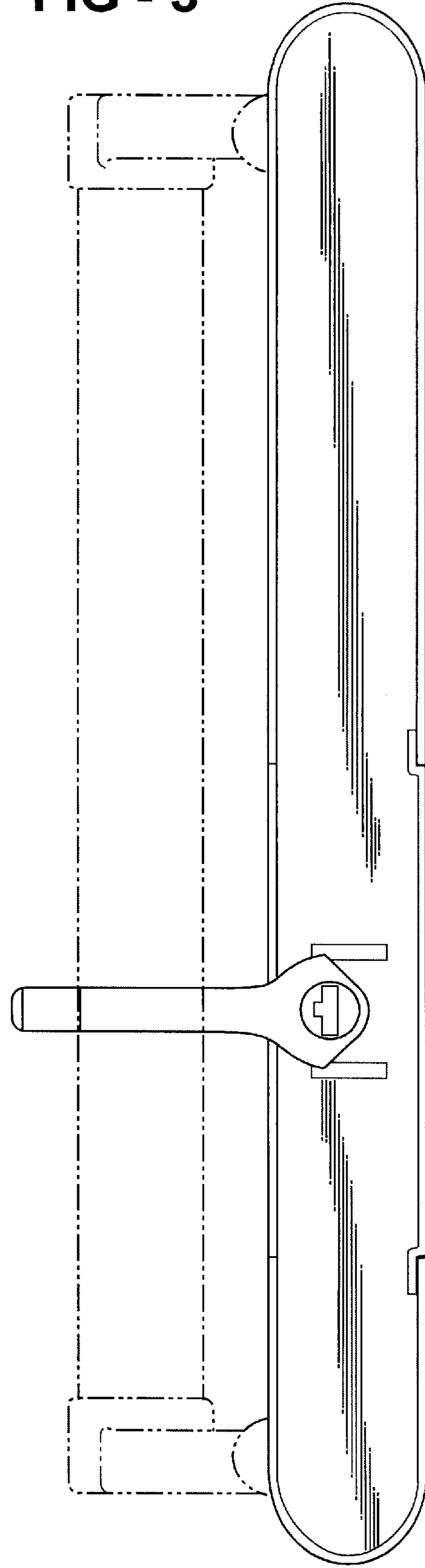


FIG - 4

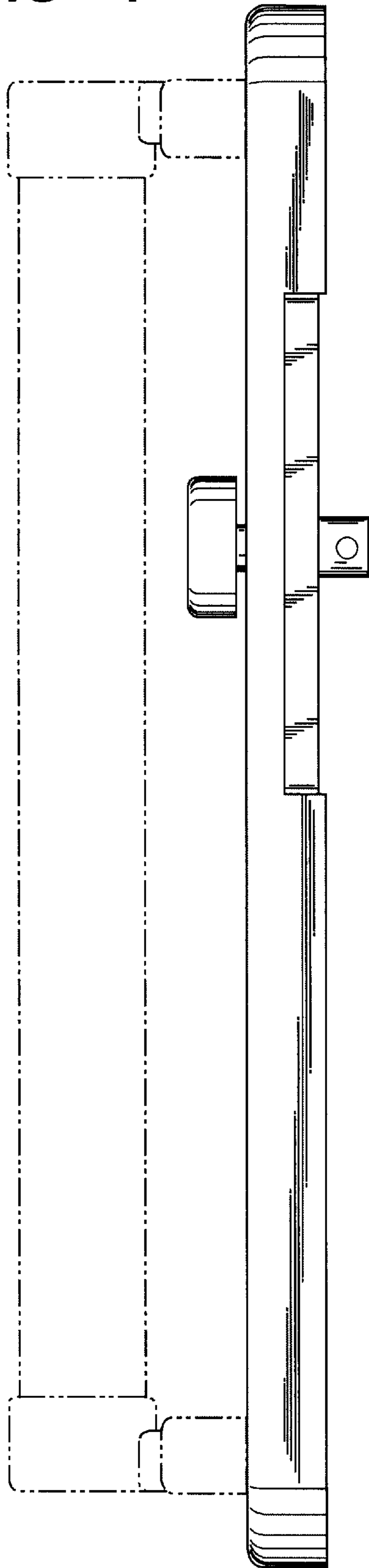


FIG - 5

