



US00D488701S

(12) **United States Design Patent**
Vito

(10) **Patent No.:** **US D488,701 S**

(45) **Date of Patent:** **** Apr. 20, 2004**

(54) **CLOSURE RECEIVING LOCK ELEMENT**

(76) **Inventor:** **Robert A. Vito**, 1434 Sugartown Rd.,
Berwyn, PA (US) 19312

(**) **Term:** **14 Years**

(21) **Appl. No.:** **29/166,890**

(22) **Filed:** **Sep. 5, 2002**

(51) **LOC (7) Cl.** **08-07**

(52) **U.S. Cl.** **D8/343; D8/331**

(58) **Field of Search** **D8/330, 331, 334,**
D8/343, 349, 352; 70/51-56, 233, 234,
235, 14, 20, 21, 49, 30, 211, 212, 226

(56) **References Cited**

U.S. PATENT DOCUMENTS

153,312 A	7/1874	Broome et al.	
596,237 A *	12/1897	Damon	70/233
1,337,568 A	4/1920	Shannon	
1,477,777 A *	12/1923	Shek	70/53
1,503,210 A	7/1924	Shannon	
3,754,418 A	8/1973	Miller	
3,754,420 A	8/1973	Ollerich	
3,800,570 A	4/1974	Kaplan	
3,924,426 A	12/1975	Zane et al.	
4,155,231 A	5/1979	Zane et al.	
5,194,845 A *	3/1993	Sirmon et al.	70/233
D335,814 S *	5/1993	Dabandjian	D8/343
5,406,812 A *	4/1995	Jaw	70/233
D358,542 S *	5/1995	Byrd, Jr.	D8/343
5,505,064 A *	4/1996	Wang	70/53
5,642,635 A *	7/1997	Wen-Chyun	70/233
5,706,679 A	1/1998	Zane et al.	
5,794,462 A	8/1998	Steele et al.	
5,823,021 A *	10/1998	Chang	70/233
D472,450 S *	4/2003	Vito	D8/331
6,619,084 B2 *	9/2003	Kuo	70/233

* cited by examiner

Primary Examiner—Prabhakar Deshmukh

(74) *Attorney, Agent, or Firm*—Volpe and Koenig, P.C.

(57) **CLAIM**

I claim the ornamental design for a closure receiving lock element, as shown and described.

DESCRIPTION

FIG. 1 is a perspective view of a closure receiving lock element according to a first preferred embodiment of my new design;

FIG. 2 is a second perspective view of the closure receiving lock element of FIG. 1;

FIG. 3 is a top plan view of the closure receiving lock element of FIG. 1;

FIG. 4 is a bottom plan view of the closure receiving lock element of FIG. 1;

FIG. 5 is a front elevational view of the closure receiving lock element of FIG. 1;

FIG. 6 is a rear elevational view of the closure receiving lock element of FIG. 1;

FIG. 7 is a left side elevational view of the closure receiving lock element of FIG. 1; and

FIG. 8 is a right side elevational view of the closure receiving lock element of FIG. 1;

FIG. 9 is a perspective view of a closure receiving lock element according to a second preferred embodiment of my new design;

FIG. 10 is a second perspective view of the closure receiving lock element of FIG. 9;

FIG. 11 is a top plan view of the closure receiving lock element of FIG. 9;

FIG. 12 is a bottom plan view of the closure receiving lock element of FIG. 9;

FIG. 13 is a front elevational view of the closure receiving lock element of FIG. 9;

FIG. 14 is a rear elevational view of the closure receiving lock element of FIG. 9;

FIG. 15 is a left side elevational view of the closure receiving lock element of FIG. 9; and,

FIG. 16 is a right side elevational view of the closure receiving lock element of FIG. 9.

The dashed lines in FIGS. 1-16 represent environment and are for illustrative purposes only and do not constitute part of the claimed design.

1 Claim, 5 Drawing Sheets

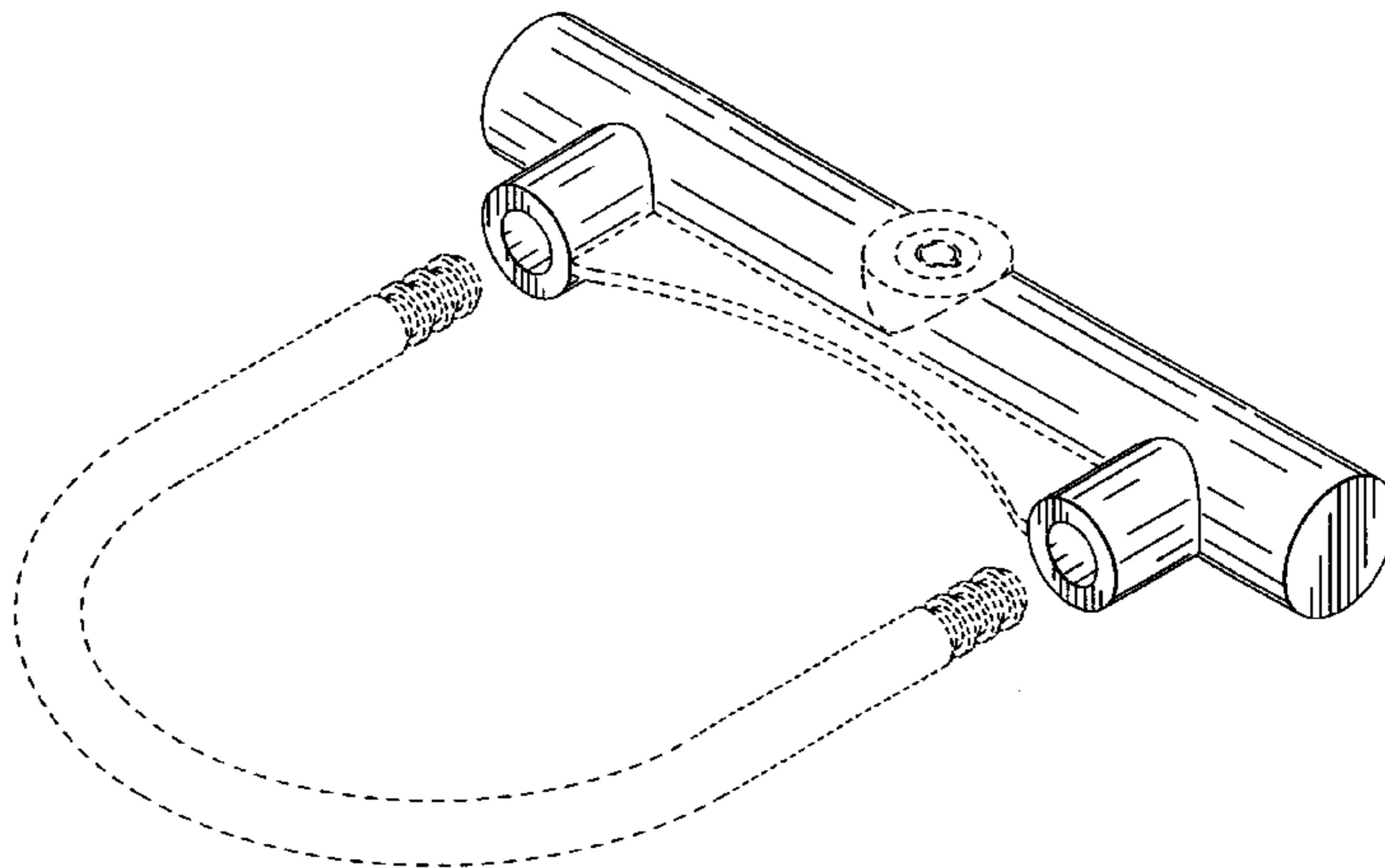


FIG. 1

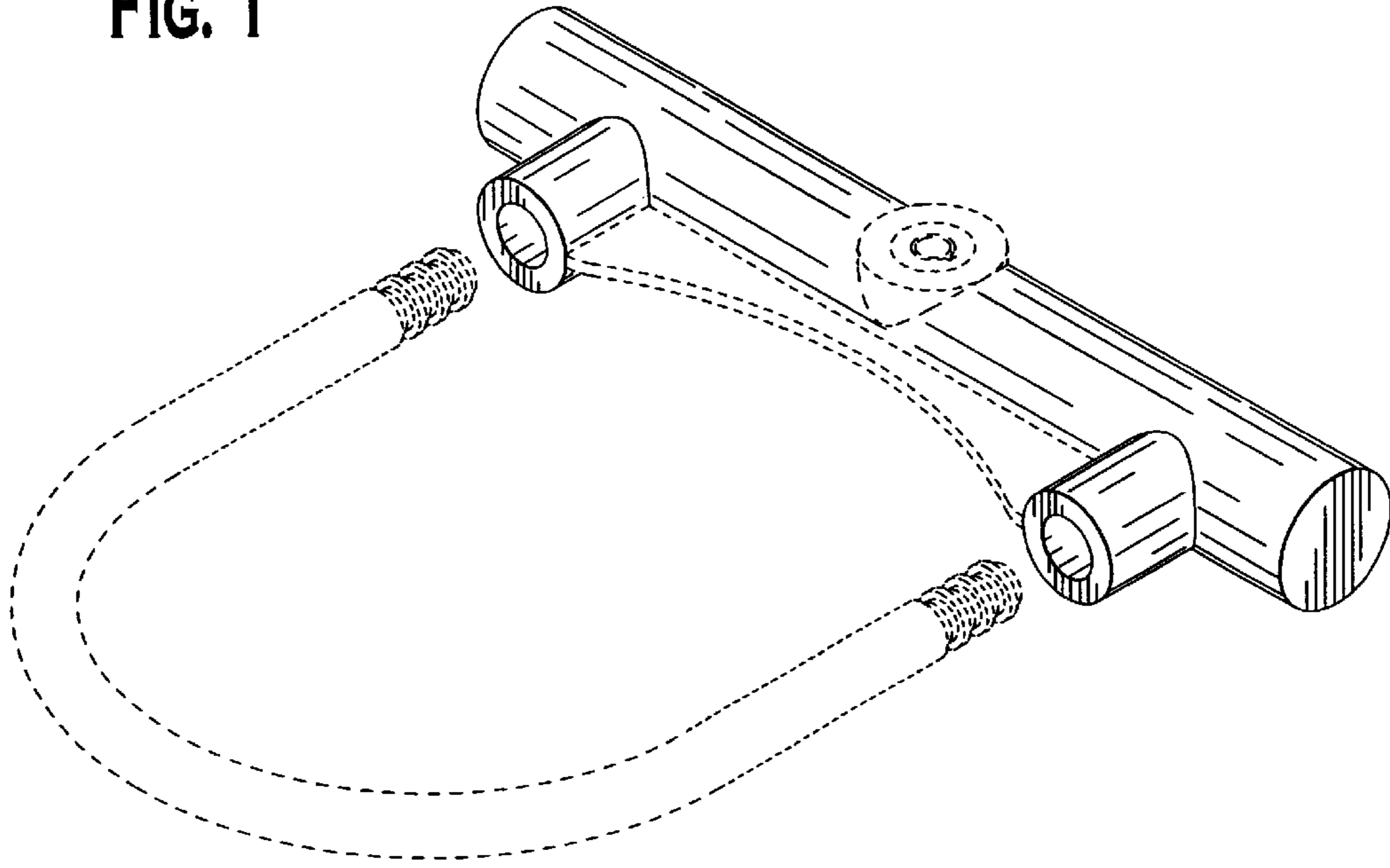


FIG. 2

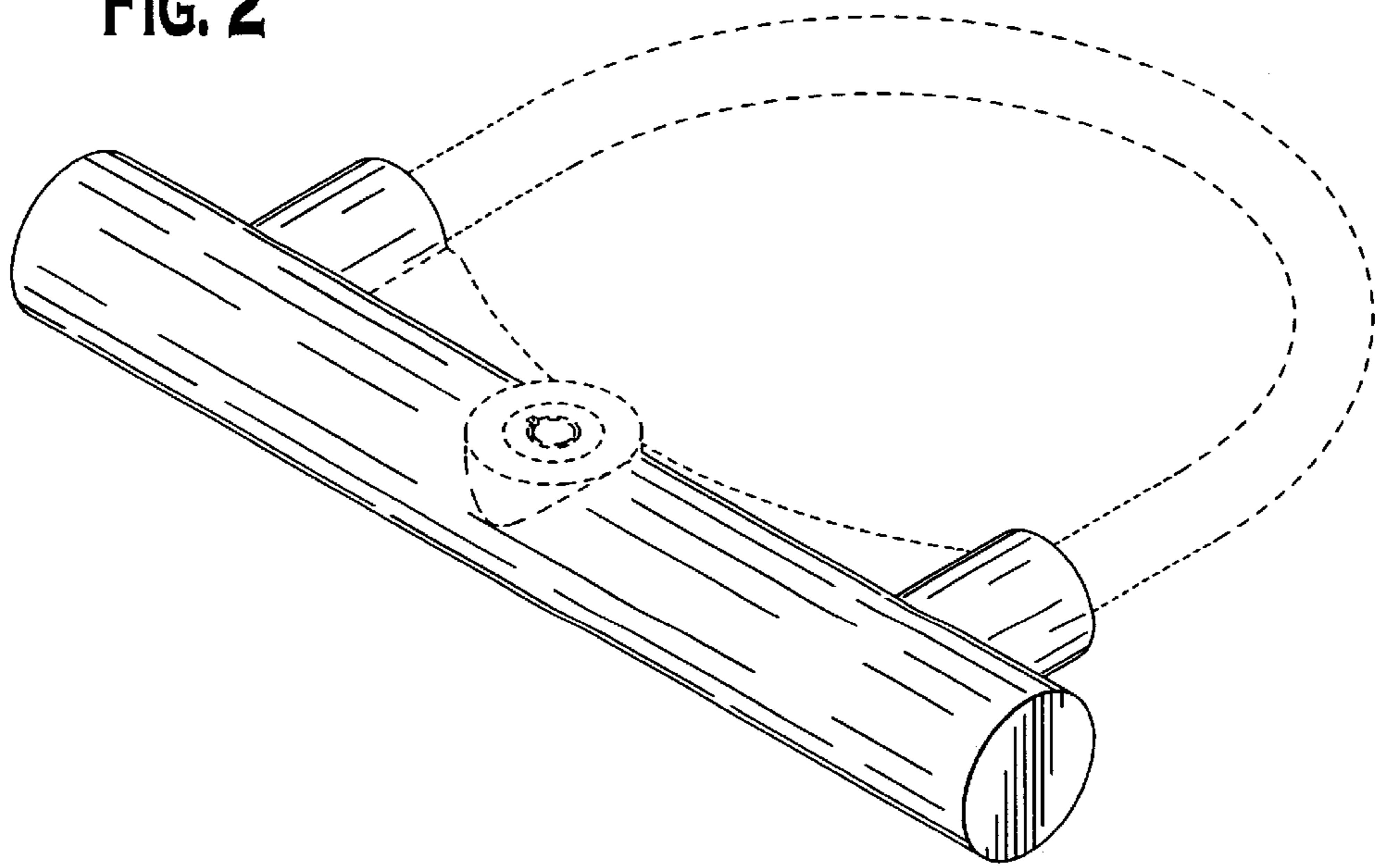


FIG. 3

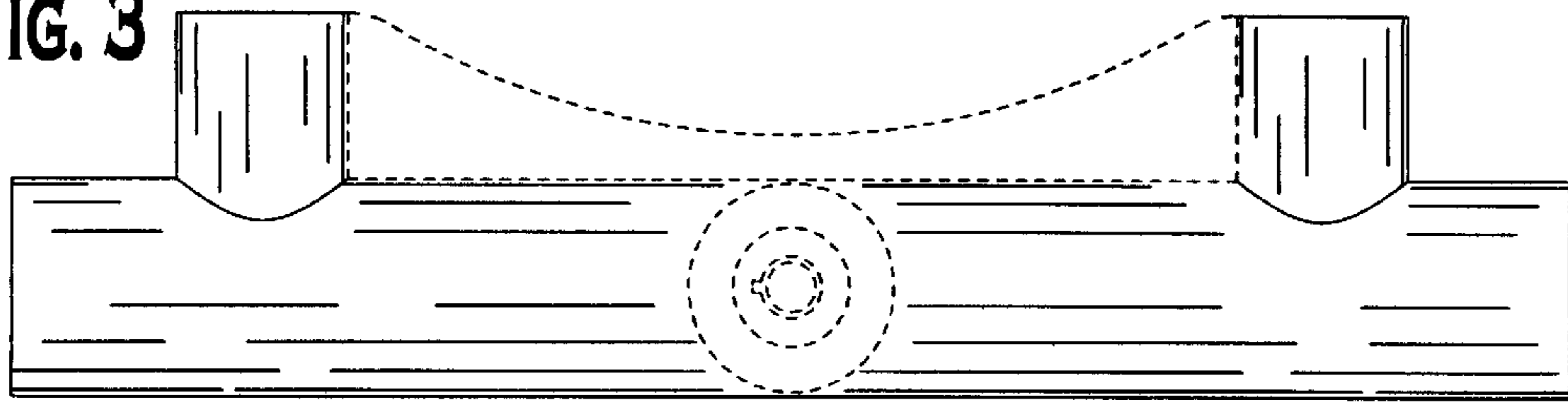


FIG. 4

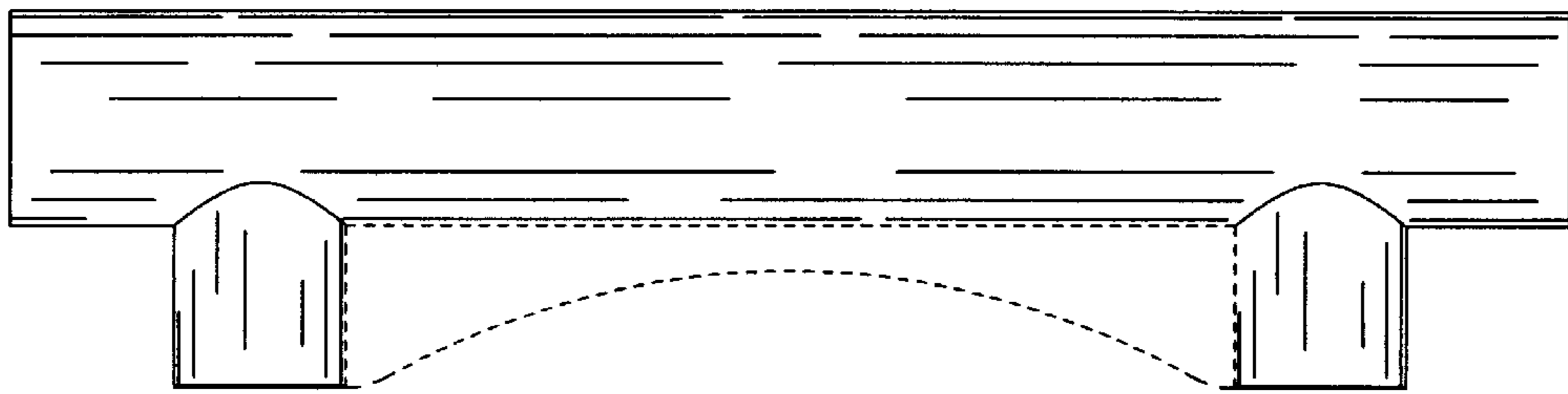


FIG. 5

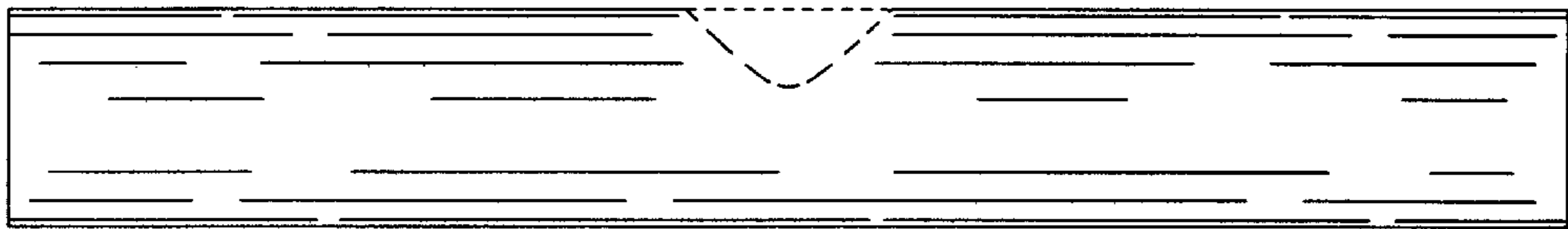


FIG. 6

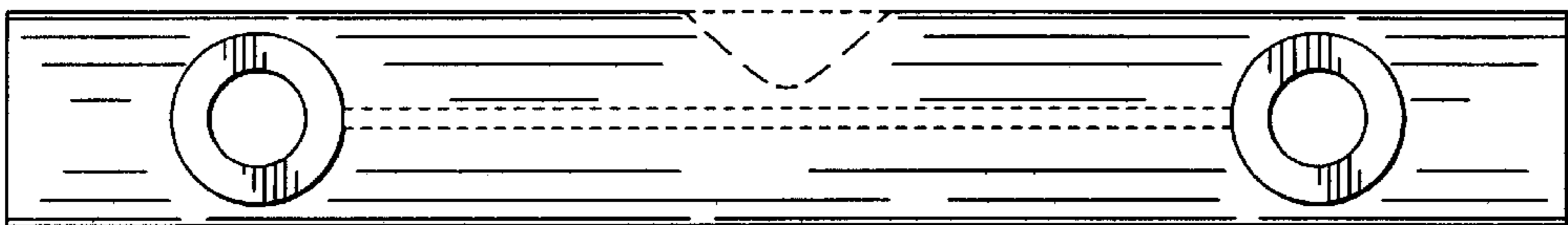


FIG. 7

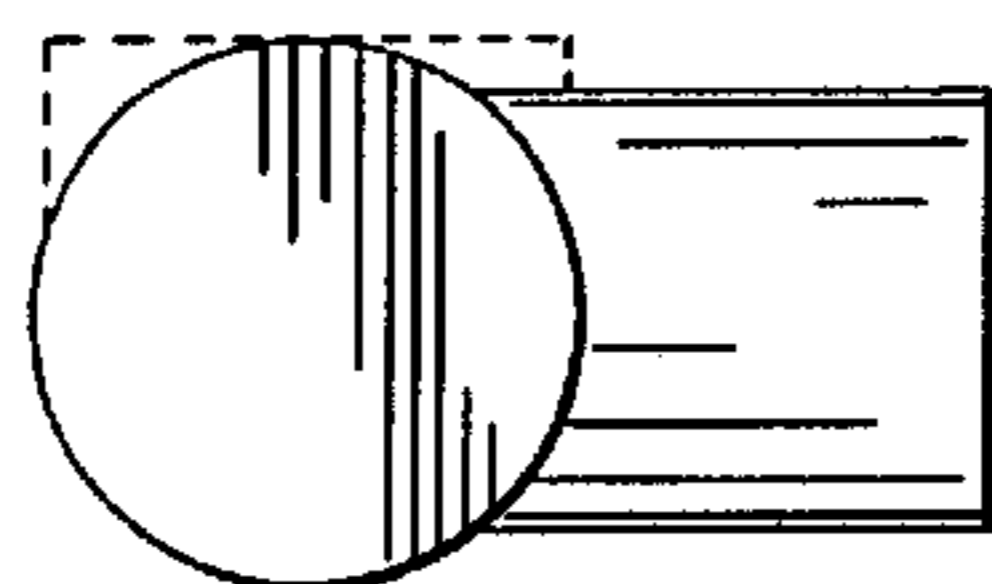


FIG. 8

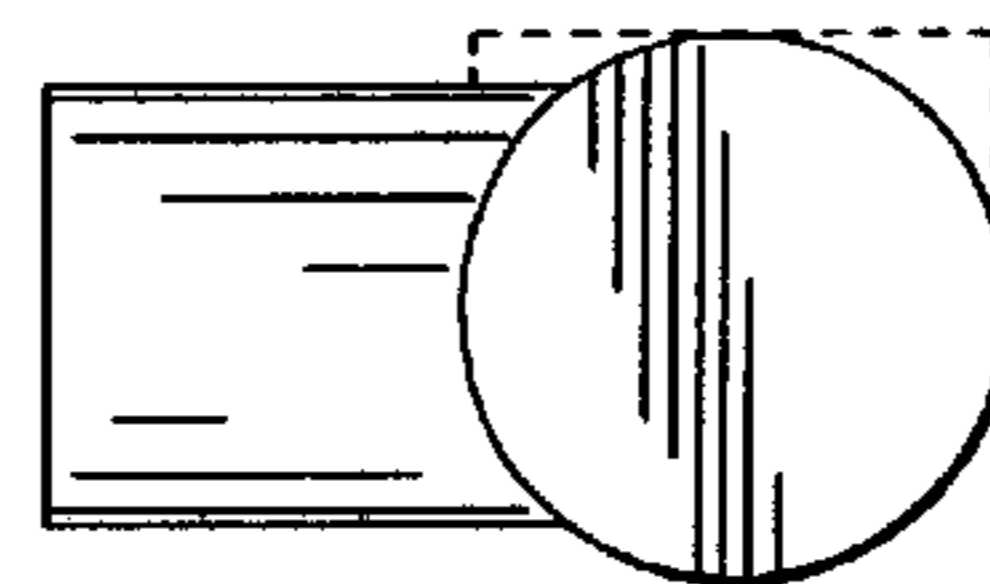


FIG. 9

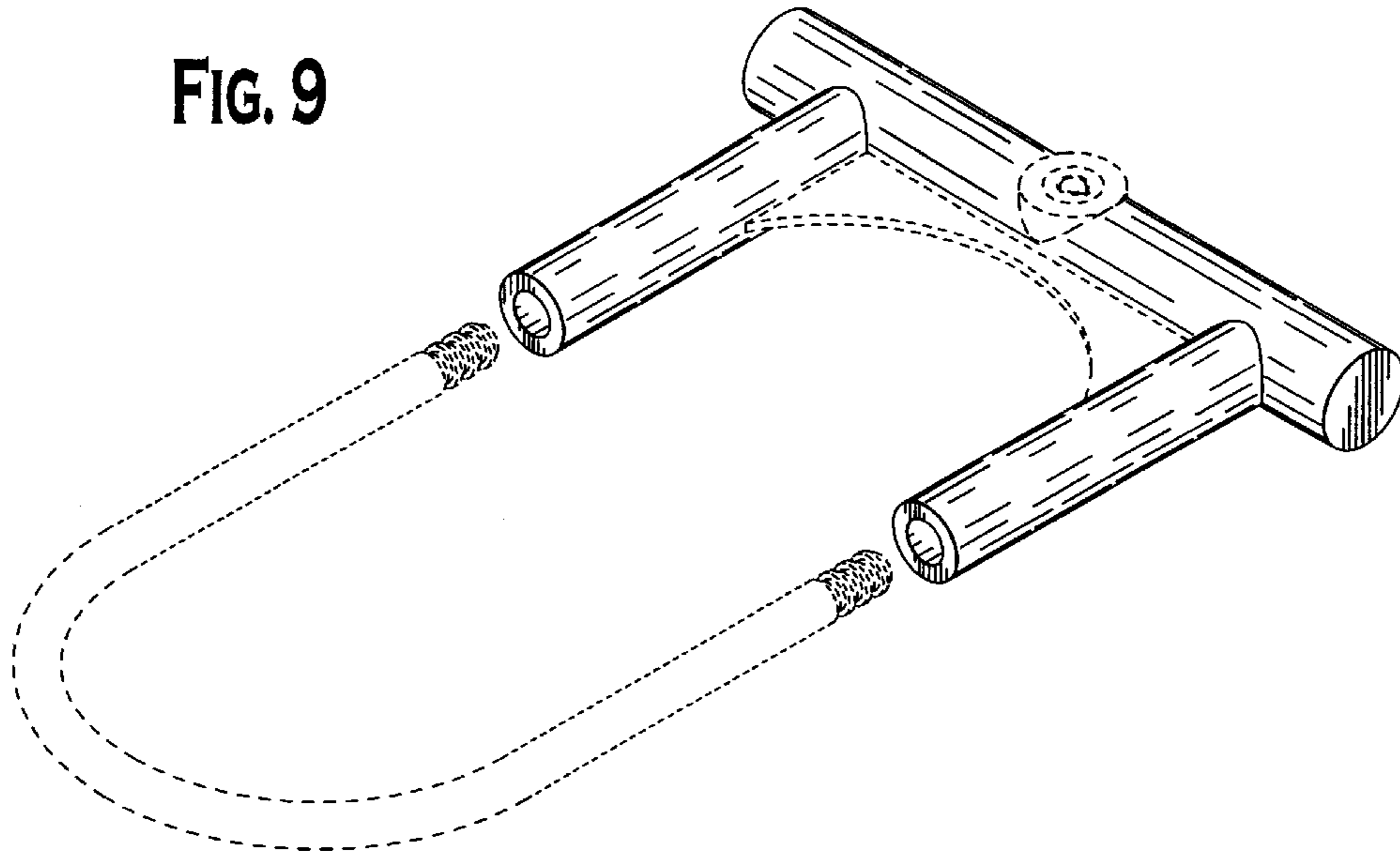


FIG. 10

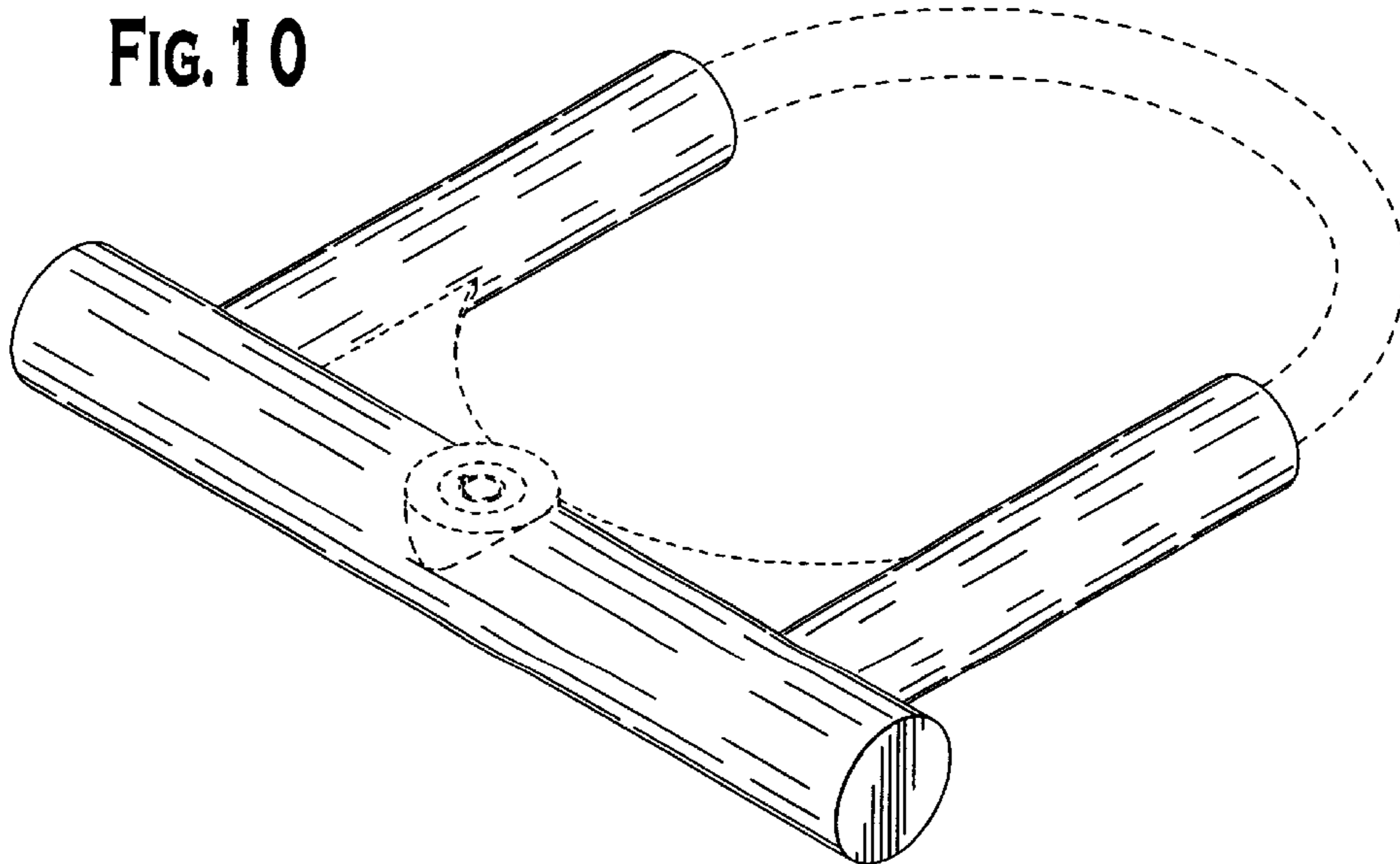


FIG. 11

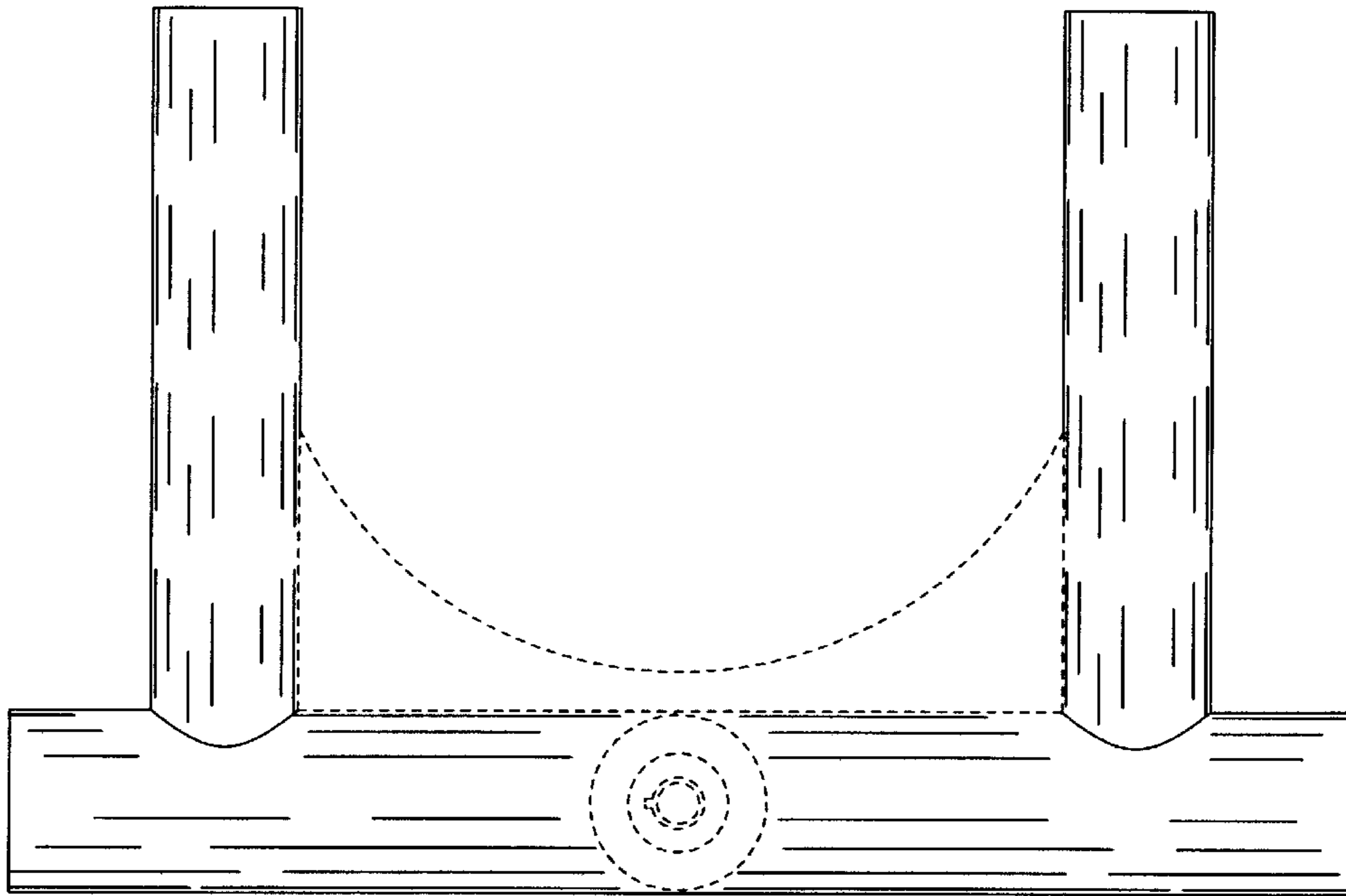


FIG. 12

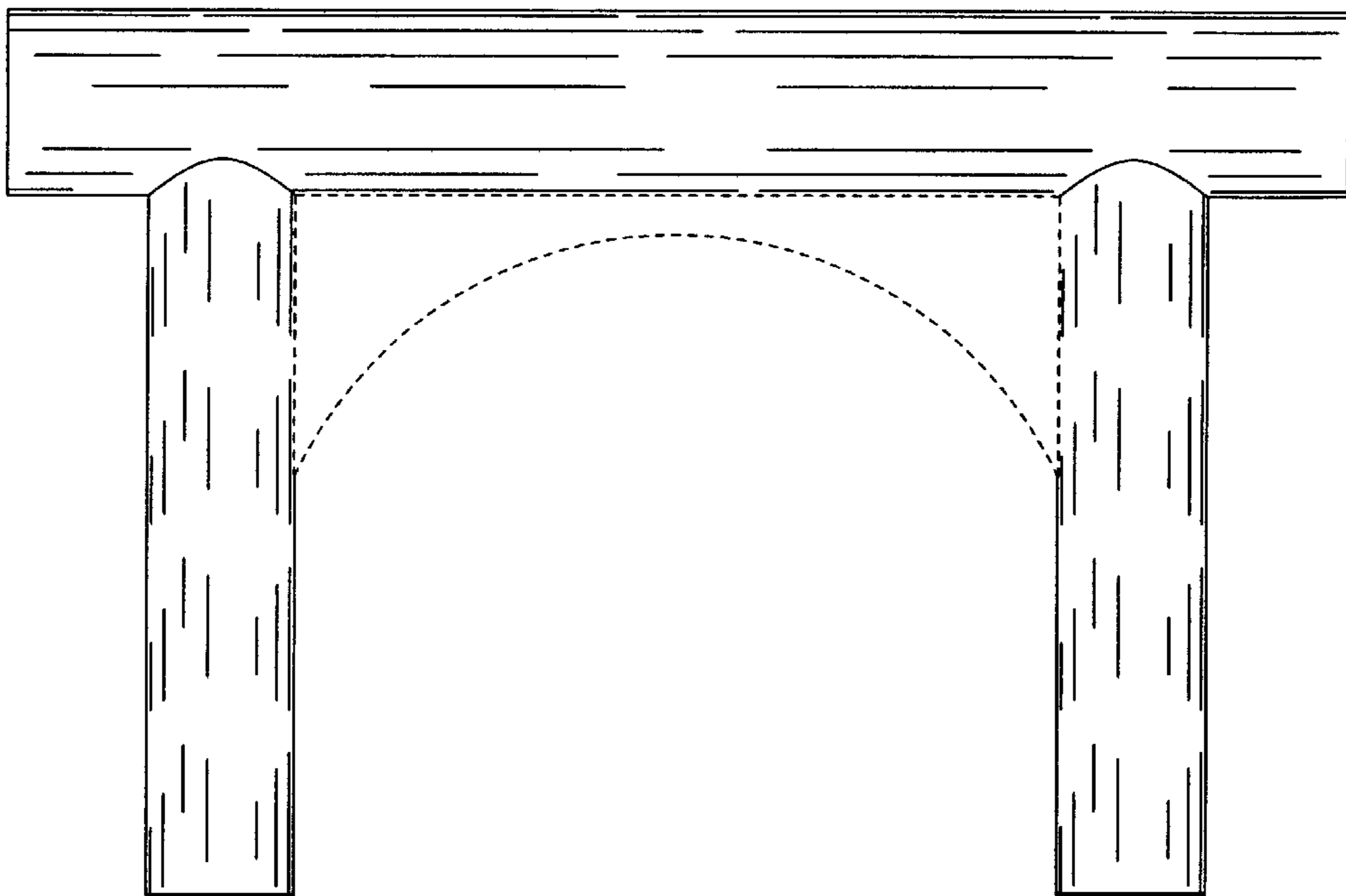


FIG. 13

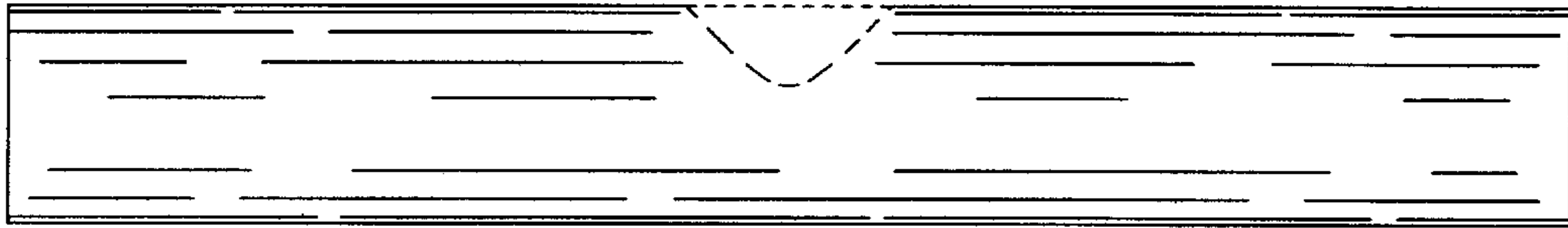


FIG. 14

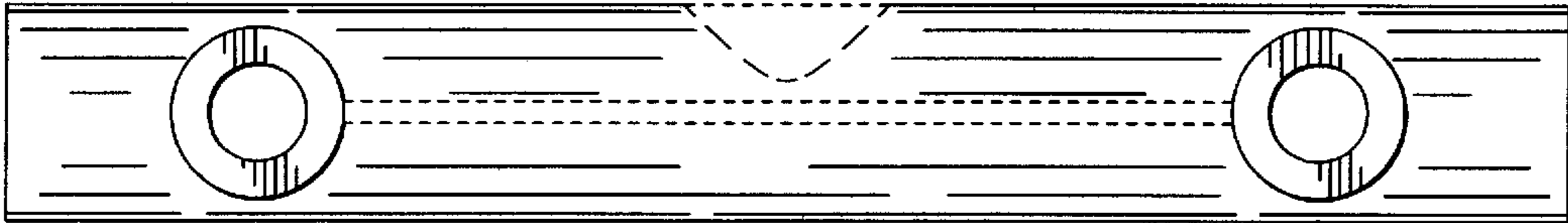


FIG. 15



FIG. 16

