



US00D488700S

(12) **United States Design Patent**  
**Montague**

(10) **Patent No.:** **US D488,700 S**

(45) **Date of Patent:** **\*\* Apr. 20, 2004**

(54) **LEVER LATCH FOR A TOOL**  
(75) Inventor: **Phillip A. Montague**, Tualatin, OR  
(US)  
(73) Assignee: **Alterra Holdings Corporation**, Tigard,  
OR (US)  
(\*\*) Term: **14 Years**

5,979,059 A 11/1999 Leatherman  
6,023,805 A 2/2000 Lin  
D424,406 S \* 5/2000 Frey ..... D8/331  
D424,900 S 5/2000 Budrow et al.  
D427,501 S 7/2000 Berg et al.  
6,088,860 A 7/2000 Pohlmann et al.  
6,108,845 A 8/2000 Hung et al.  
D433,608 S 11/2000 Pohlmann et al.  
6,145,144 A 11/2000 Pohlmann et al.

**FOREIGN PATENT DOCUMENTS**

DE 29613051 U1 10/1996  
EP 1 023 972 A2 8/2000

\* cited by examiner

*Primary Examiner*—Alan P. Douglas  
*Assistant Examiner*—Clare E. Heflin  
(74) *Attorney, Agent, or Firm*—Foley & Lardner

(21) Appl. No.: **29/138,267**  
(22) Filed: **Mar. 9, 2001**  
(51) **LOC (7) Cl.** ..... **08-07**  
(52) **U.S. Cl.** ..... **D8/331; D8/52; D8/105**  
(58) **Field of Search** ..... D8/52, 55, 105,  
D8/331; D7/125, 132–135, 127, 129, 167,  
168; 81/418–426.5, 427.5, 177.1, 177.4,  
3.6, 367–371, 363, 300; 30/160, 161

(56) **References Cited**

**U.S. PATENT DOCUMENTS**

208,878 A 10/1878 Allen et al.  
816,674 A 4/1906 Medhus  
1,079,997 A 12/1913 Wernimont  
1,334,425 A 3/1920 Wernimont  
1,514,488 A 11/1924 Wernimont  
2,651,227 A 9/1953 Kennington  
4,316,315 A 2/1982 Vogelnik  
4,354,313 A 10/1982 Naifeh  
D283,672 S \* 5/1986 Greco ..... D8/331  
D329,799 S \* 9/1992 Conklin ..... D8/331  
5,245,721 A 9/1993 Lowe et al.  
5,280,659 A 1/1994 Park  
D377,446 S \* 1/1997 Ford et al. .... D8/331  
5,615,484 A 4/1997 Pittman  
5,692,304 A 12/1997 Campbell  
5,735,005 A 4/1998 Wang  
5,765,247 A 6/1998 Seber et al.  
5,794,346 A 8/1998 Seber et al.  
5,887,347 A 3/1999 Gibbs

(57) **CLAIM**

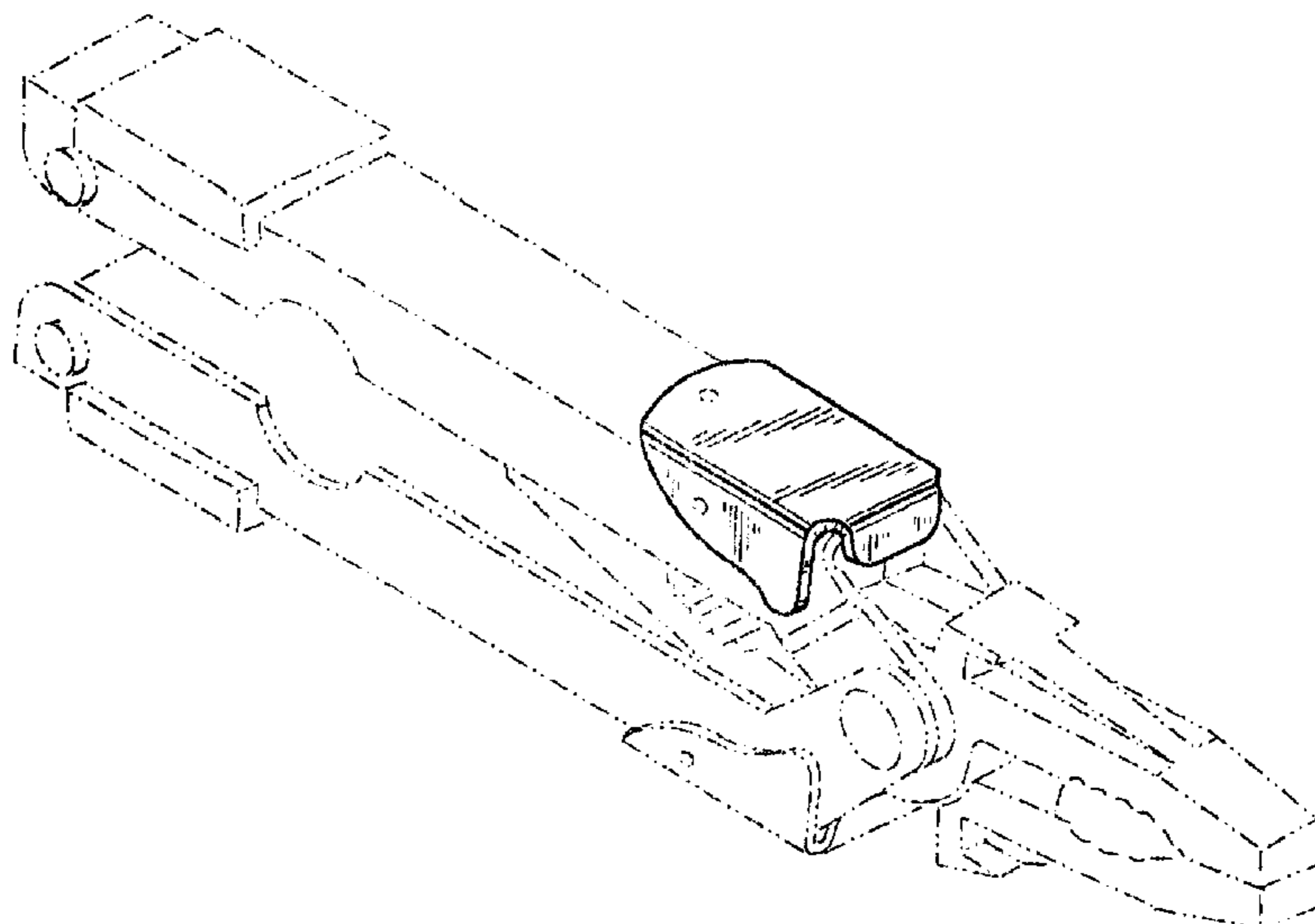
I claim the ornamental design for the lever latch for a tool,  
as shown and described.

**DESCRIPTION**

FIG. 1 is a perspective view of a lever latch for a tool;  
FIG. 2 is a front view of the lever latch for a tool shown in  
FIG. 1, with the rear view being a mirror image;  
FIG. 3 is a top view of the lever latch for a tool shown in  
FIG. 1;  
FIG. 4 is a right side view of the lever latch for a tool shown  
in FIG. 1;  
FIG. 5 is a left side view of the lever latch for a tool shown  
in FIG. 1; and,  
FIG. 6 is a bottom view of the lever latch for a tool shown  
in FIG. 1.

The broken lines showing portions of the tool in FIGS. 1–6  
are for illustrative purposes only and form no part of the  
claimed design.

**1 Claim, 1 Drawing Sheet**



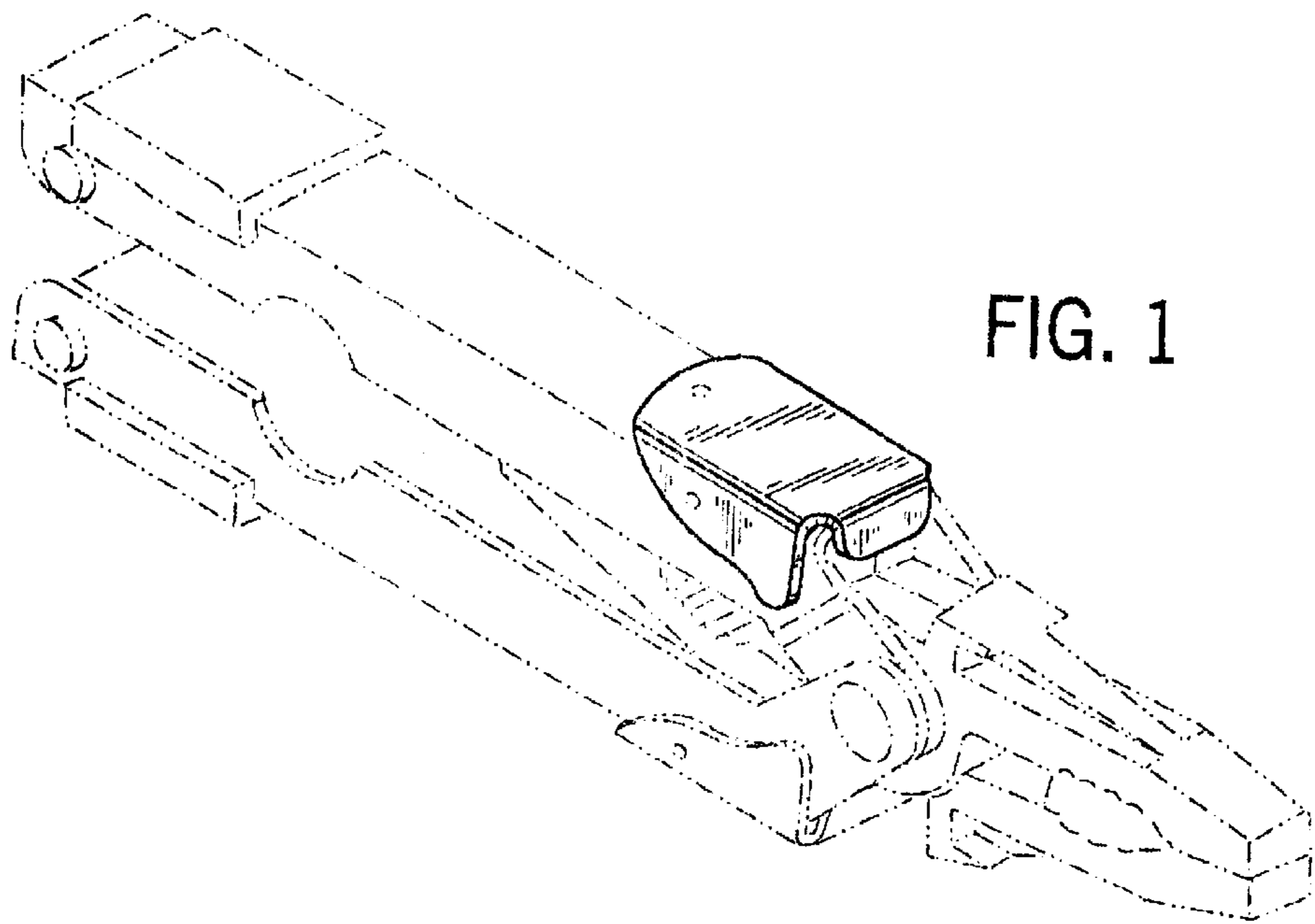


FIG. 1

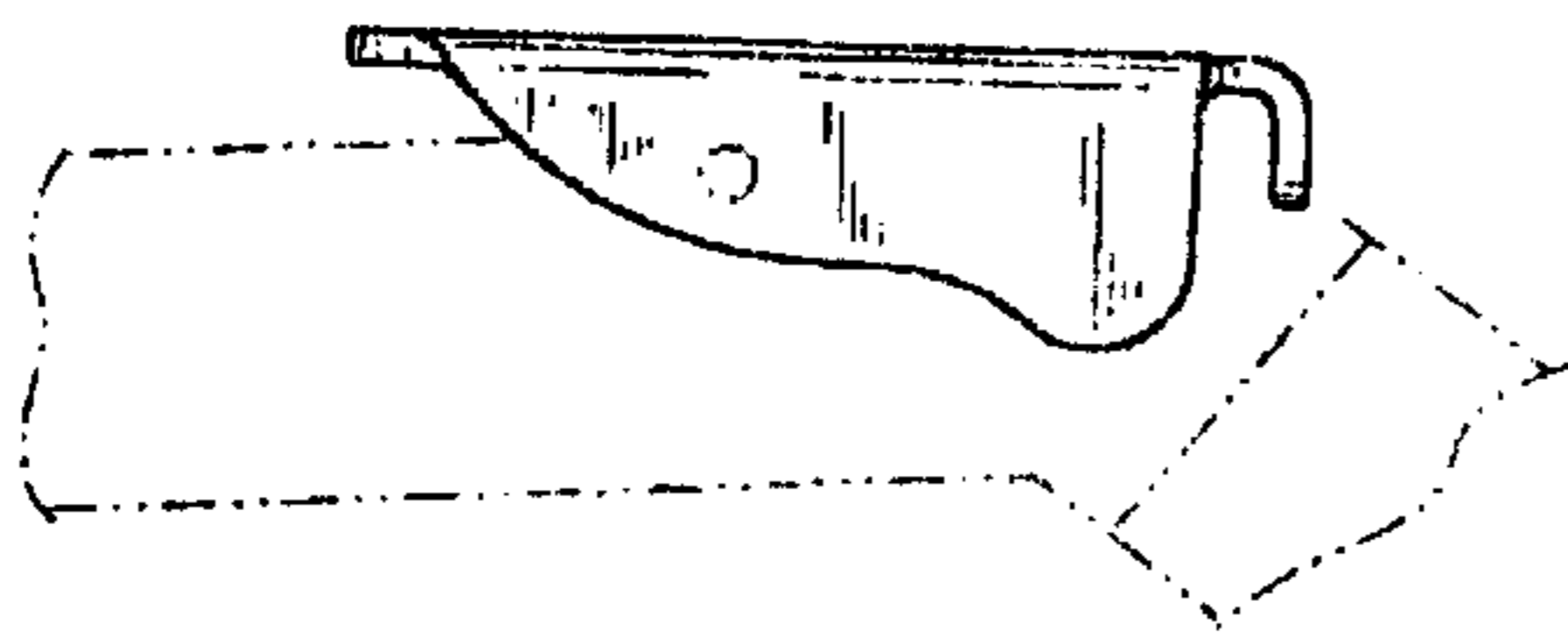


FIG. 2

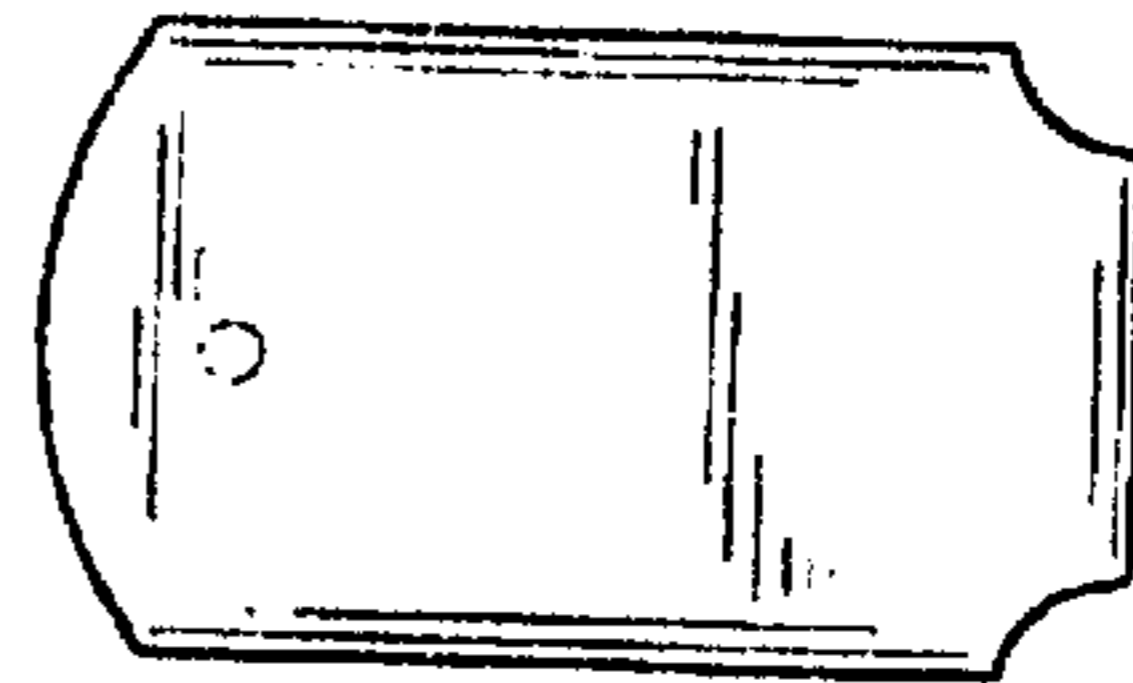


FIG. 3

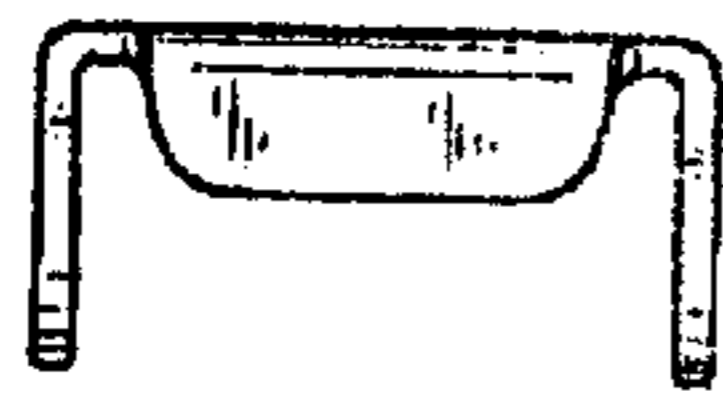


FIG. 4

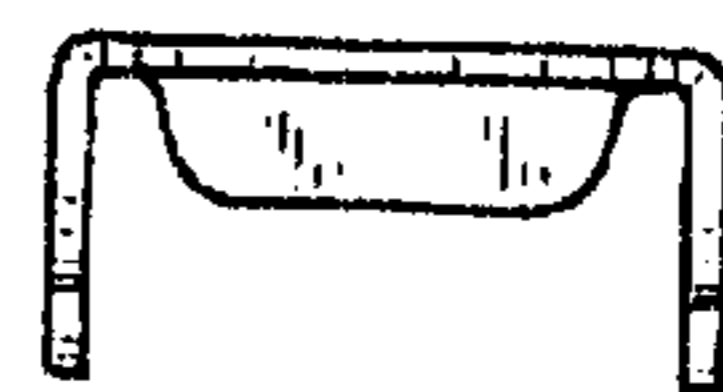


FIG. 5

FIG. 6

