



US00D488699S

(12) **United States Design Patent**
Jackovin

(10) **Patent No.:** **US D488,699 S**

(45) **Date of Patent:** **** Apr. 20, 2004**

(54) **DOOR HANDLE FOR AN APPLIANCE**

(75) Inventor: **Gary B. Jackovin**, Ankeny, IA (US)

(73) Assignee: **Maytag Corporation**, Newton, IA (US)

(**) Term: **14 Years**

(21) Appl. No.: **29/180,660**

(22) Filed: **Apr. 29, 2003**

(51) **LOC (7) Cl.** **08-06**

(52) **U.S. Cl.** **D8/316**

(58) **Field of Search** D6/549; D8/315-318,
D8/302; 16/110.1, 412, 436

(56) **References Cited**

U.S. PATENT DOCUMENTS

3,206,793	A	*	9/1965	Silverberg	D8/302
D206,050	S		10/1966	Anders	D6/549
3,585,101	A		6/1971	Stratton et al.	428/169
4,638,529	A	*	1/1987	Katona	16/436
D327,196	S		6/1992	Crook et al.	D6/549
5,632,062	A	*	5/1997	Katz et al.	16/412
5,645,276	A	*	7/1997	Parsons	16/436
5,675,867	A		10/1997	Howie, Jr.	16/412
D438,776	S	*	3/2001	Boscherini	D8/316
6,363,926	B1		4/2002	Stephen et al.	126/41 R

* cited by examiner

Primary Examiner—Adir Aronovich

(74) *Attorney, Agent, or Firm*—Diederiks & Whitelaw, PLC

(57) **CLAIM**

The ornamental design for a door handle for an appliance, as shown and described.

DESCRIPTION

FIG. 1 is a upper left perspective view of a door handle for an appliance, showing my new design;

FIG. 2 is a front elevational view of the door handle of FIG. 1 illustrating black, low gloss end portions arranged on either side of a bright, central knurled portion; and,

FIG. 3 is a right side elevational view of the door handle of FIGS. 1 and 2, with the left side elevational view being a mirror image thereof.

The broken lines in FIG. 1 showing one exemplary appliance employing the door handle of the invention and the broken lines depicting terminal door handle mounting brackets in each of FIGS. 1-3 are for illustrative purposes only and form no part of the claimed invention. Instead, it should be understood that the door handle of the invention can be utilized with a wide range of appliances, including, for example, refrigerators, ice makers, gas grills, wall ovens, and washing machines.

1 Claim, 2 Drawing Sheets

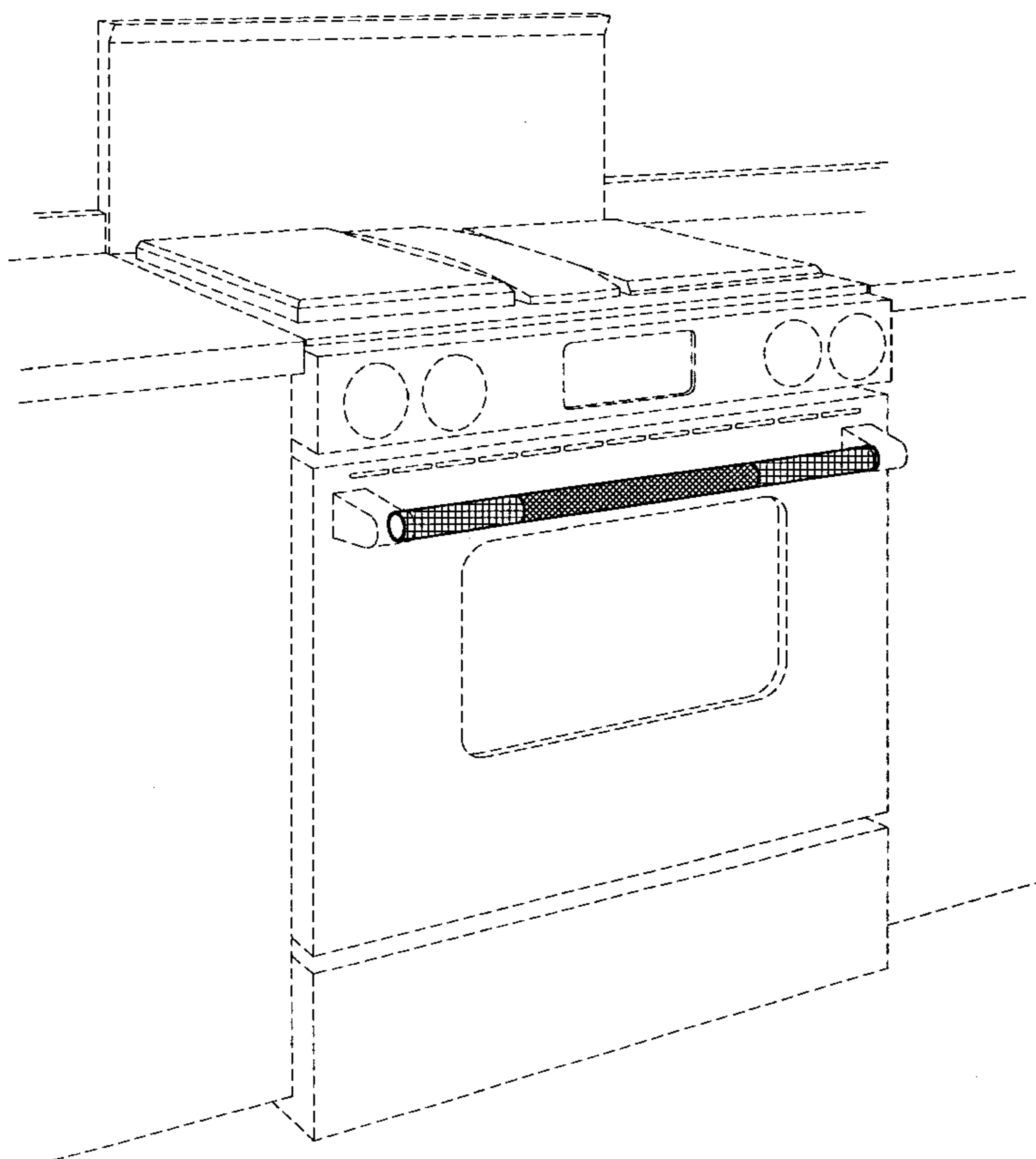


FIG. 1

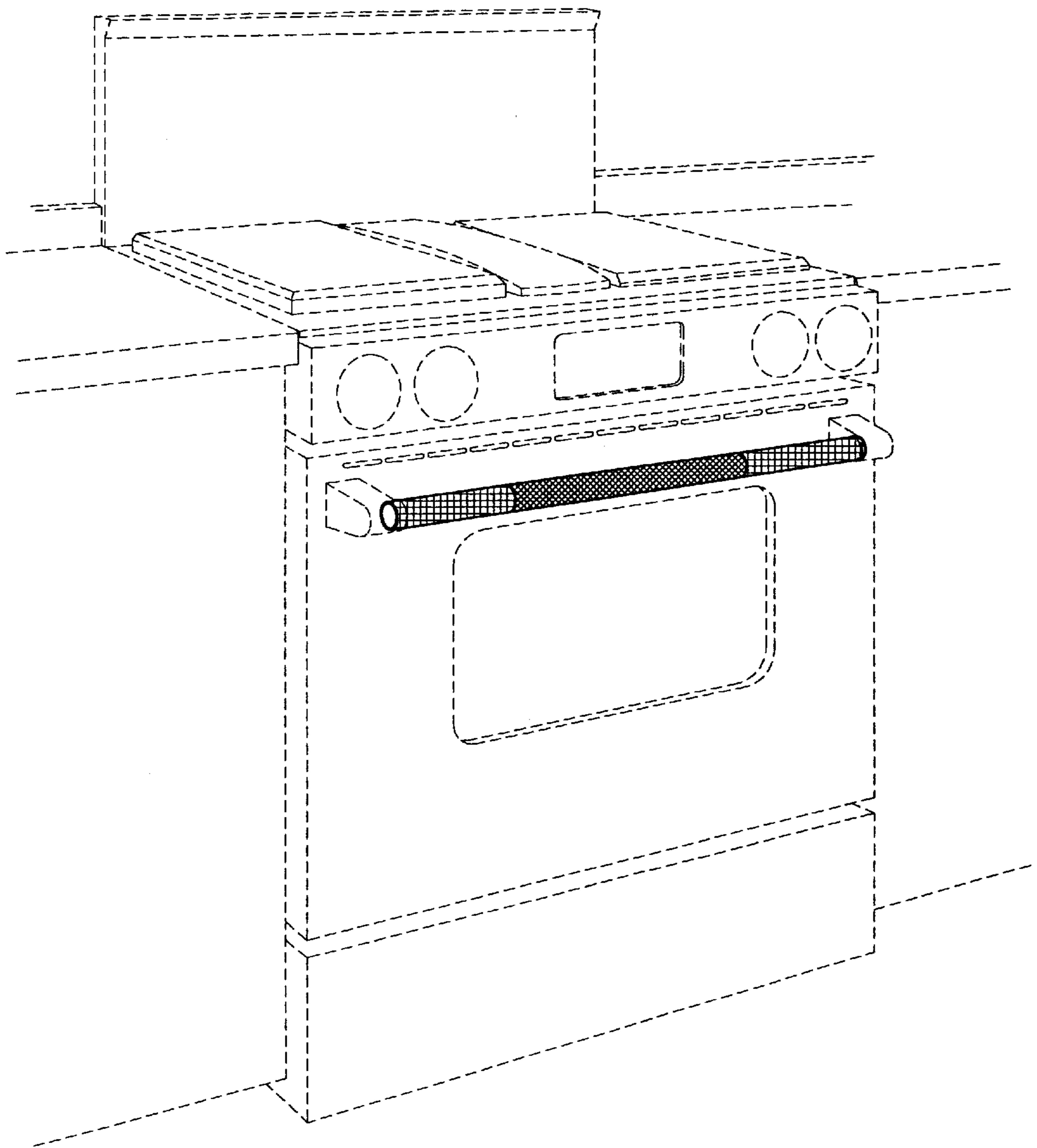


FIG. 2

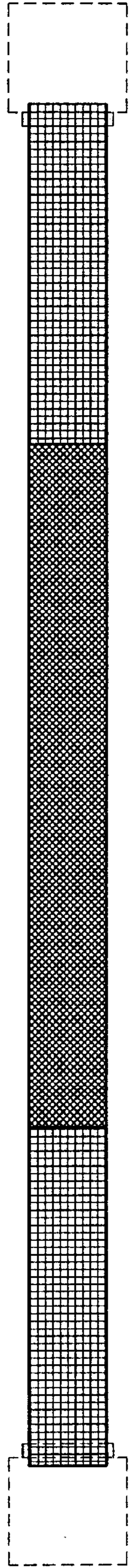


FIG. 3

