



US00D488696S

(12) **United States Design Patent**  
**Merritt**

(10) **Patent No.:** **US D488,696 S**

(45) **Date of Patent:** **\*\* Apr. 20, 2004**

(54) **DRILL GUIDE**

(76) **Inventor:** **Ernest George William Merritt**, 181  
Endon Road, Norton Green, Stoke On  
Trent, Staffs. ST6-8NW (GB)

(\*\*) **Term:** **14 Years**

(21) **Appl. No.:** **29/178,333**

(22) **Filed:** **Mar. 24, 2003**

(51) **LOC (7) Cl.** ..... **08-01**

(52) **U.S. Cl.** ..... **D8/70**

(58) **Field of Search** ..... D8/70, 71; D10/61,  
D10/64, 65; D15/132, 138, 140; 408/56,  
72 R, 72 B, 97, 111, 112, 115 R, 115 B,  
241 G, 712

(56) **References Cited**

**U.S. PATENT DOCUMENTS**

2,515,383	A	*	7/1950	Sneva	.....	408/72 R
3,661,469	A	*	5/1972	Leff et al.	.....	D8/70
3,746,460	A	*	7/1973	Lipe	.....	D8/71
3,874,810	A	*	4/1975	Russell	.....	D8/70
D254,074	S	*	1/1980	Ringle	.....	D15/138
4,279,552	A	*	7/1981	Epstein	.....	D8/70
D264,930	S	*	6/1982	Lindsay	.....	D8/70
D268,165	S	*	3/1983	Perry et al.	.....	D8/70
4,375,341	A	*	3/1983	Schulze	.....	408/97
D271,978	S	*	12/1983	Bagby	.....	D15/138

D273,299	S	*	4/1984	Archeskie	.....	D8/70
D295,016	S	*	4/1988	Forrester	.....	D8/70
D298,730	S	*	11/1988	Zinn	.....	D8/70
D308,160	S	*	5/1990	Sweeny et al.	.....	D8/71
D324,526	S	*	3/1992	Degen	.....	D8/70
5,108,241	A	*	4/1992	Coss	.....	408/115 B
D337,501	S	*	7/1993	Witt	.....	D8/70
D337,712	S	*	7/1993	Cavedo	.....	D8/70
D365,582	S	*	12/1995	McDaniel	.....	D15/132
5,664,913	A	*	9/1997	Scholz	.....	408/72 B
D474,093	S	*	5/2003	Chang	.....	D8/71
D476,242	S	*	6/2003	Glasson	.....	D10/65

\* cited by examiner

*Primary Examiner*—Doris V. Coles  
*Assistant Examiner*—T. Chase Nelson  
(74) *Attorney, Agent, or Firm*—Smith-Hill and Bedell

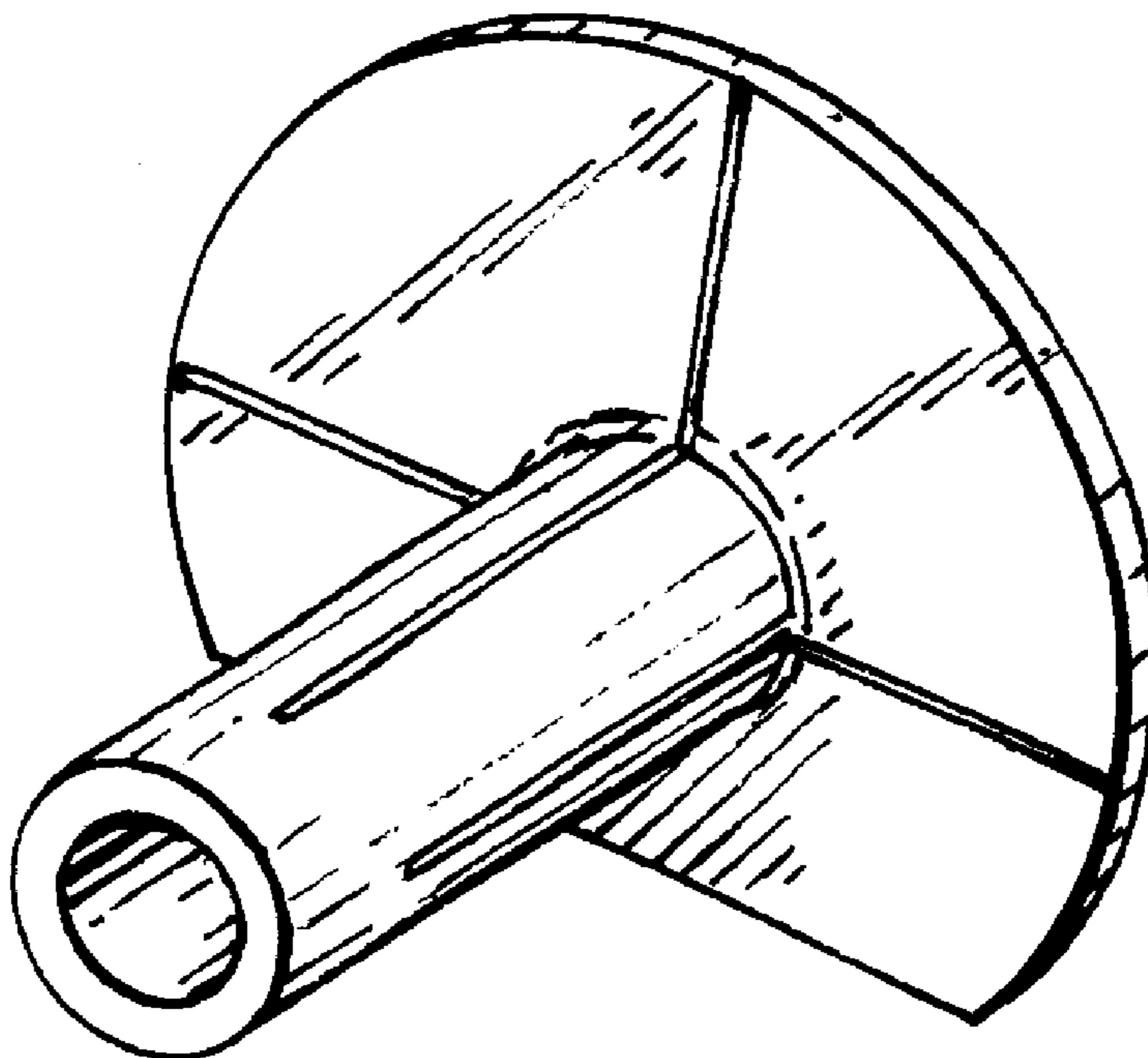
(57) **CLAIM**

The ornamental design for a drill guide, as shown and described.

**DESCRIPTION**

FIG. 1 is a front view  
FIG. 2 is a rear view  
FIG. 3 is a top view; and,  
FIG. 4 is a perspective view from above, the front of one side.

**1 Claim, 1 Drawing Sheet**



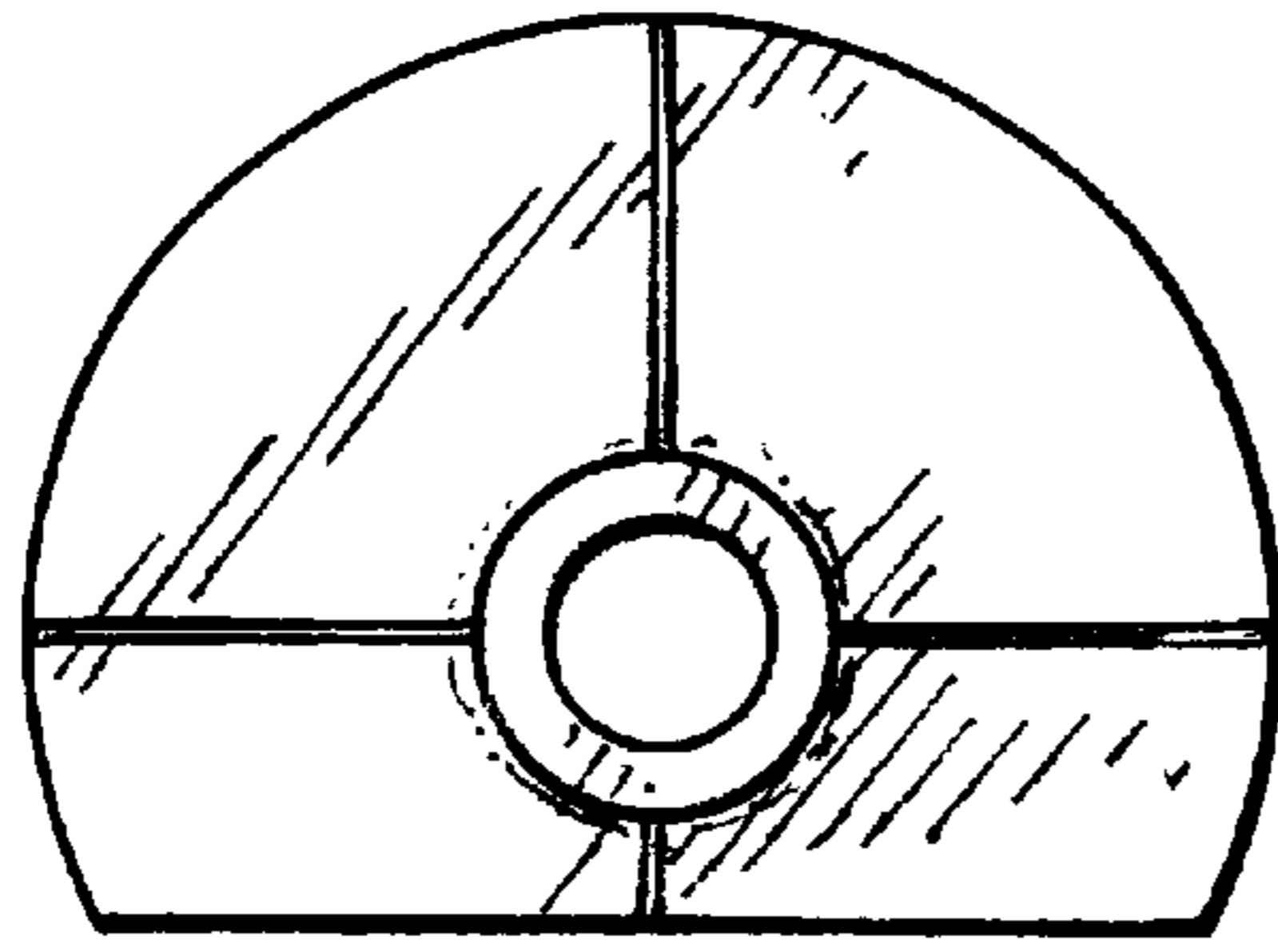


FIG. 1

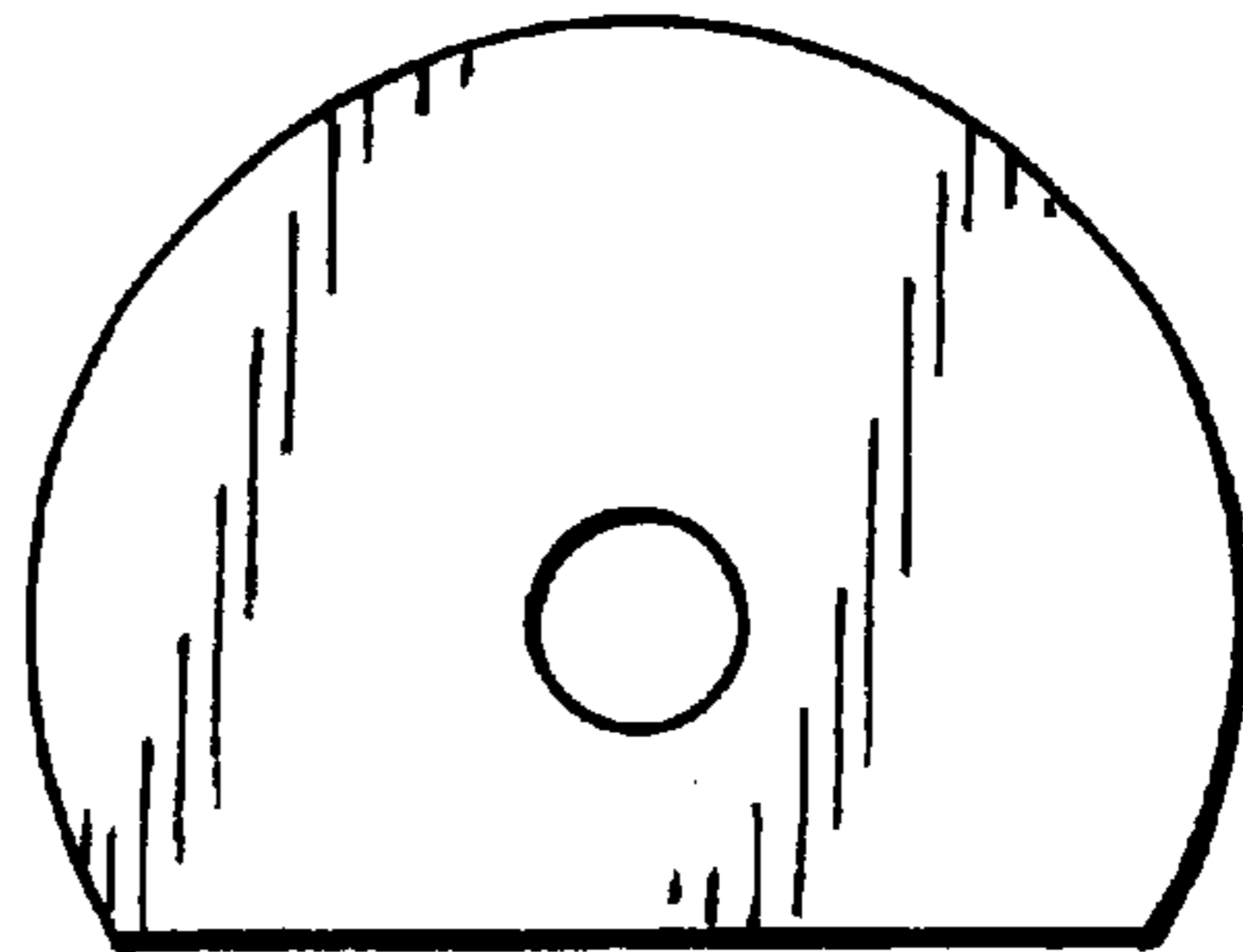


FIG. 2

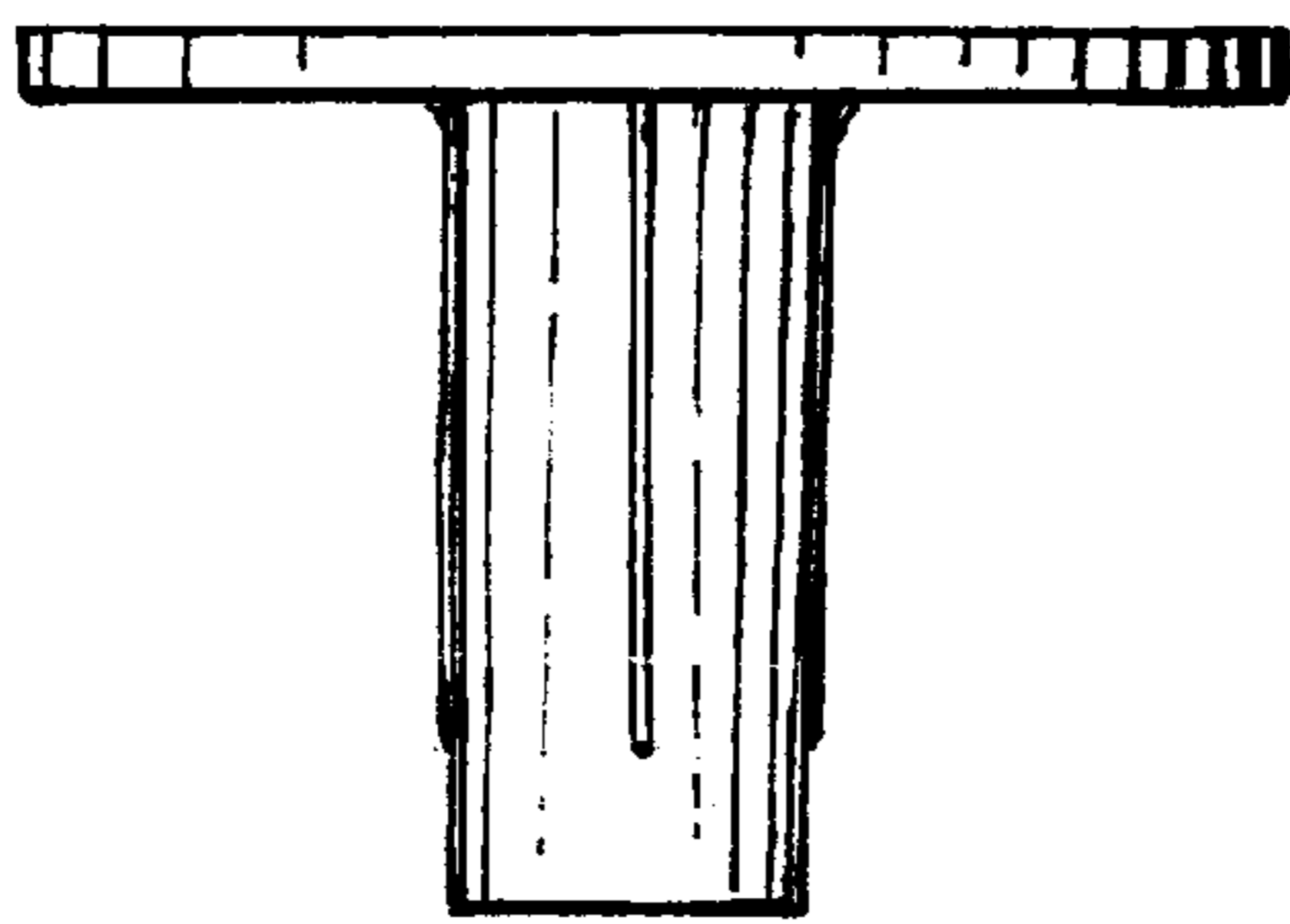


FIG. 3

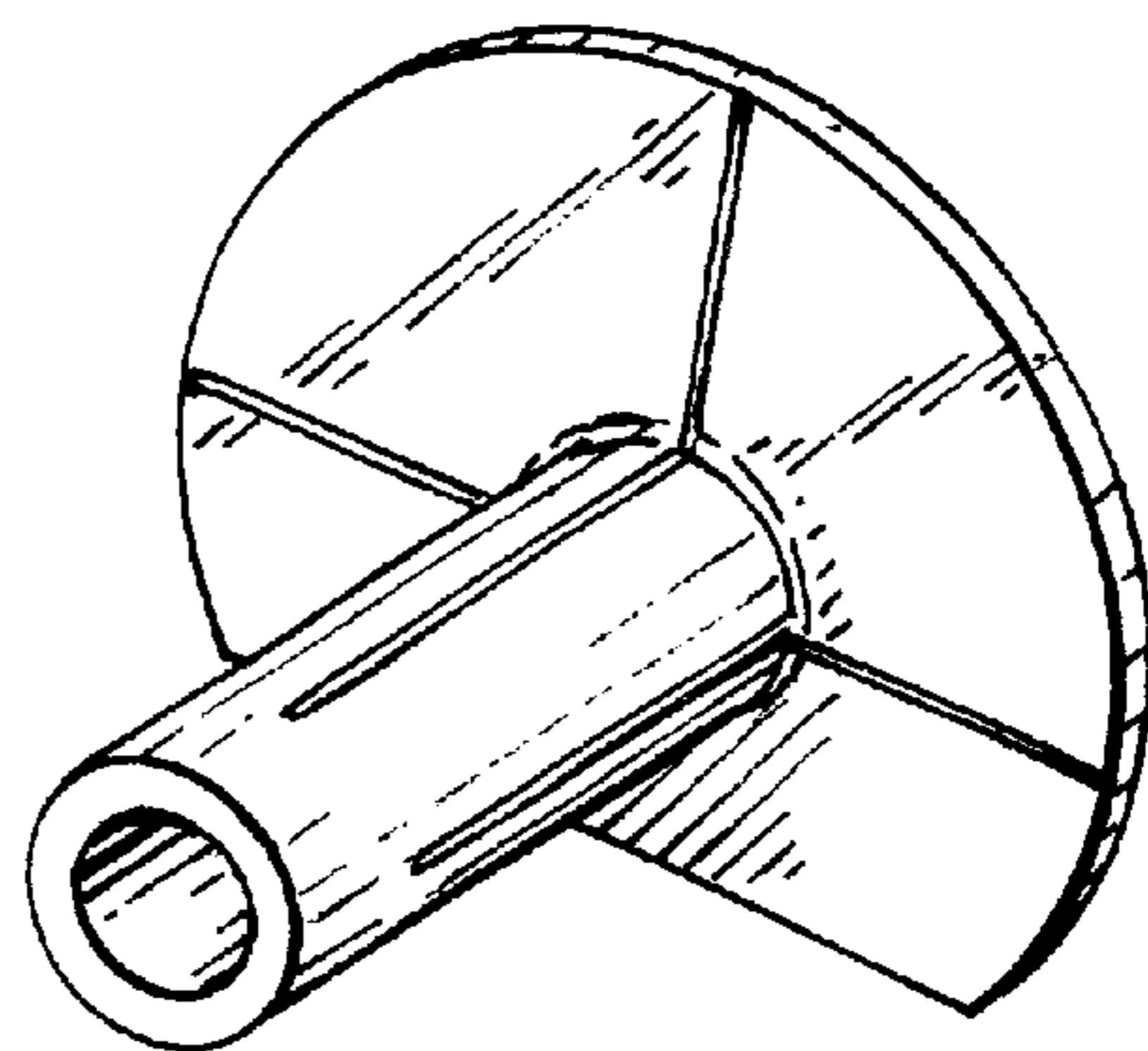


FIG. 4