



US00D488695S

(12) **United States Design Patent**
Peterson

(10) **Patent No.:** **US D488,695 S**

(45) **Date of Patent:** **** Apr. 20, 2004**

(54) **DRILL SHEAR ATTACHMENT**

(75) **Inventor:** **Eric L. Peterson**, Maple Lake, MN
(US)

(73) **Assignee:** **Malco Products, Inc.**, Annandale, MN
(US)

(**) **Term:** **14 Years**

(21) **Appl. No.:** **29/176,745**

(22) **Filed:** **Feb. 25, 2003**

(51) **LOC (7) Cl.** **08-05**

(52) **U.S. Cl.** **D8/70**

(58) **Field of Search** D8/70, 61, 71;
D10/61, 64, 65; D15/132, 138, 140; 408/56,
72 R, 72 B, 97, 111, 112, 115 R, 115 B,
241 G, 712; 30/228

(56) **References Cited**

U.S. PATENT DOCUMENTS

2,635,335	A	*	4/1953	James	30/228
2,760,265	A	*	8/1956	Draenert	D8/70
3,654,700	A	*	4/1972	Pawloski	30/228
3,787,742	A	*	1/1974	Murphy	30/228
3,808,682	A	*	5/1974	Sumida	30/228
4,369,576	A	*	1/1983	McVaugh	30/228
4,682,416	A		7/1987	Stolfa	
5,901,447	A	*	5/1999	Dunning	30/228
5,992,024	A	*	11/1999	Rogers	30/228
D426,443	S	*	6/2000	Lai	D8/71

6,178,643	B1	*	1/2001	Erbrick et al.	30/228
D443,806	S	*	6/2001	Fladgard et al.	D8/61
6,250,998	B1	*	6/2001	Fladgard et al.	30/228

OTHER PUBLICATIONS

Excalibur Tools Pty Limited brochure, Jan. 24, 2003 (internet portion).

* cited by examiner

Primary Examiner—Doris V. Coles

Assistant Examiner—T. Chase Nelson

(74) *Attorney, Agent, or Firm*—Gerald E. Helget; Nelson R. Capes; Briggs and Morgan, P.A.

(57) **CLAIM**

The ornamental design for a drill shear attachment, as shown and described.

DESCRIPTION

FIG. 1 is a rear perspective view showing my new design of a drill shear attachment;

FIG. 2 is a rear elevational view;

FIG. 3 is a front elevational view;

FIG. 4 is a left side elevational view;

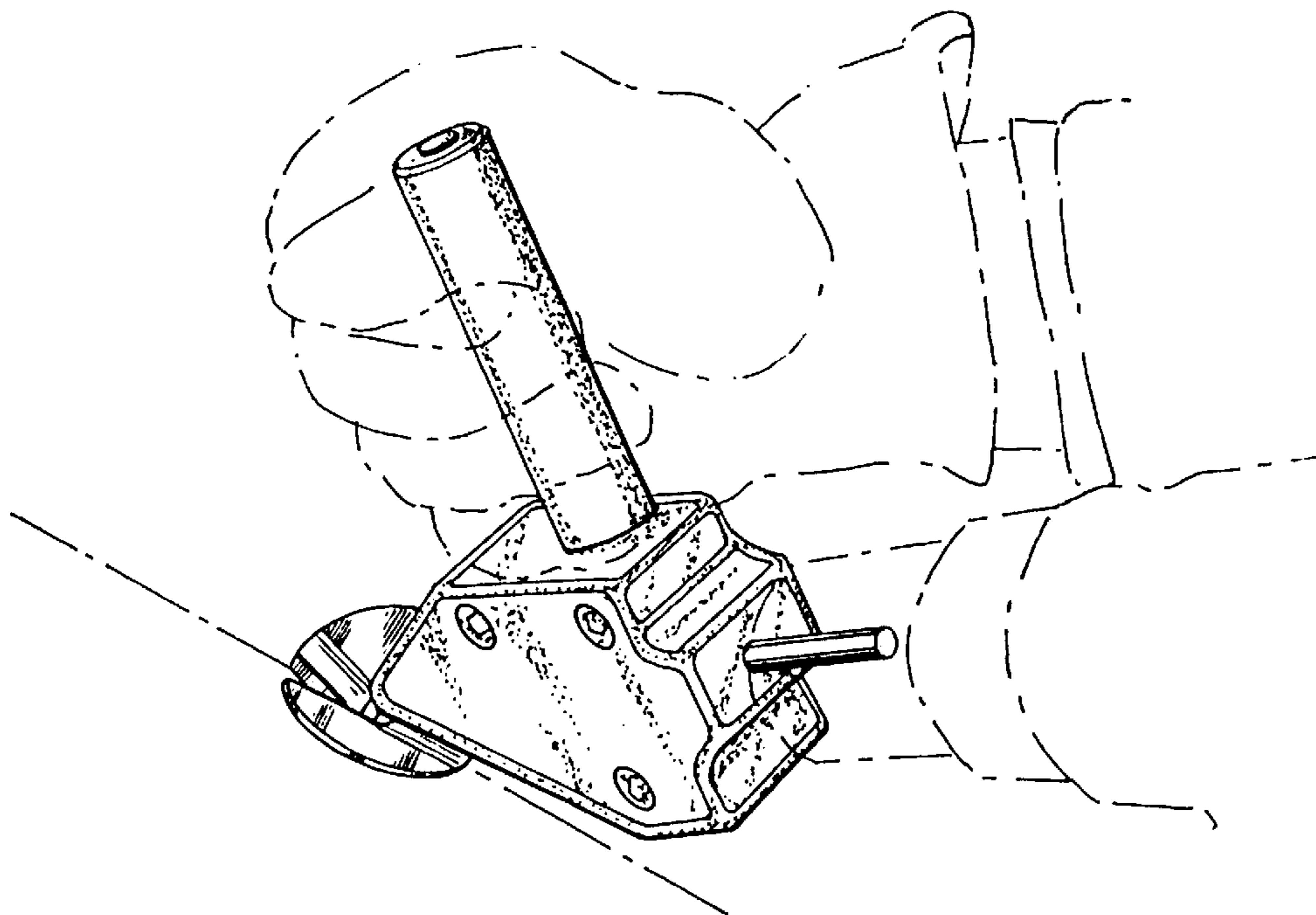
FIG. 5 is a bottom plan view;

FIG. 6 is a right side elevational view; and,

FIG. 7 is a top plan view.

The broken line drawings of FIG. 1 are for illustrative purposes only to show environment and form no part of the claimed design.

1 Claim, 4 Drawing Sheets



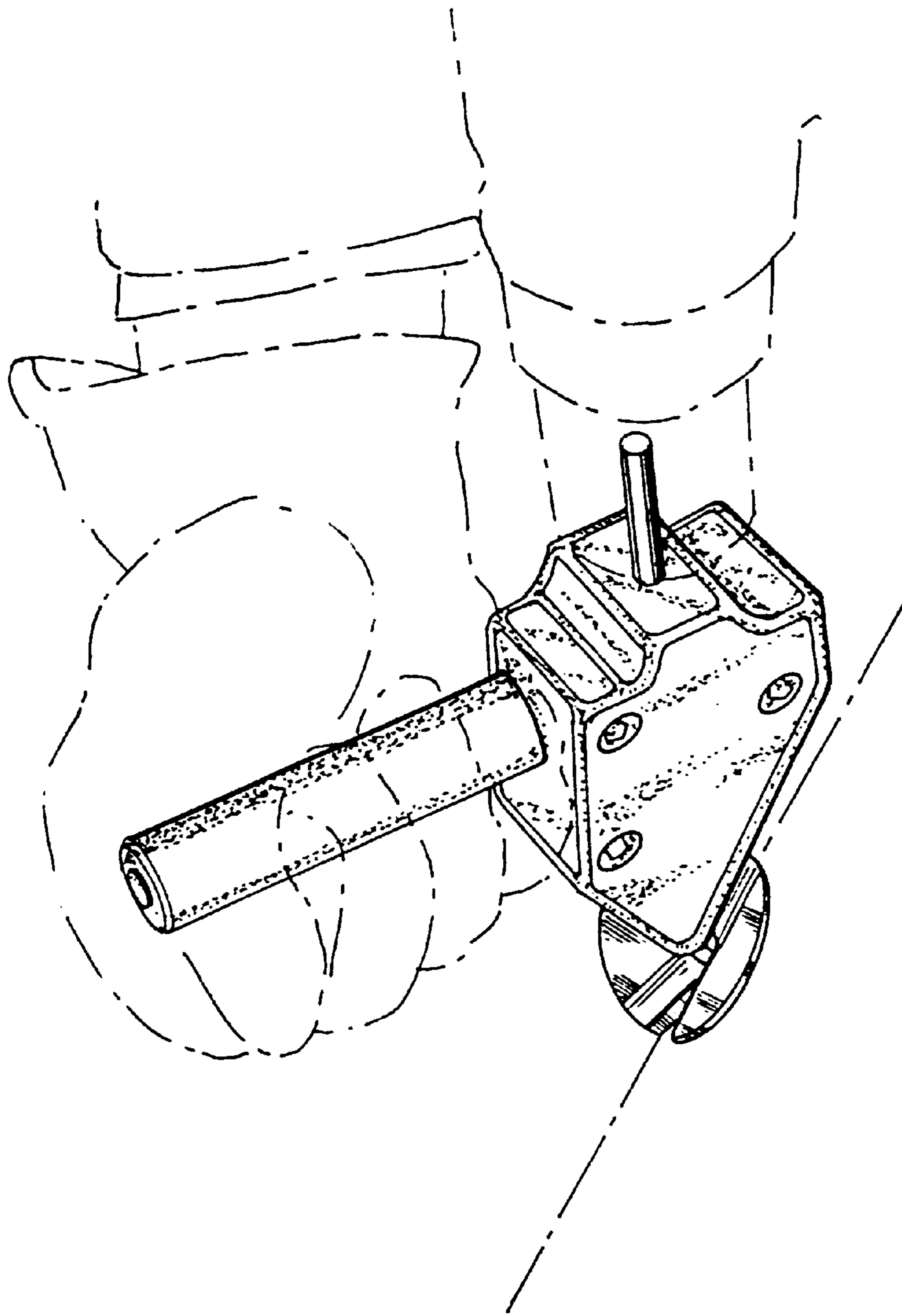


Fig. 1.

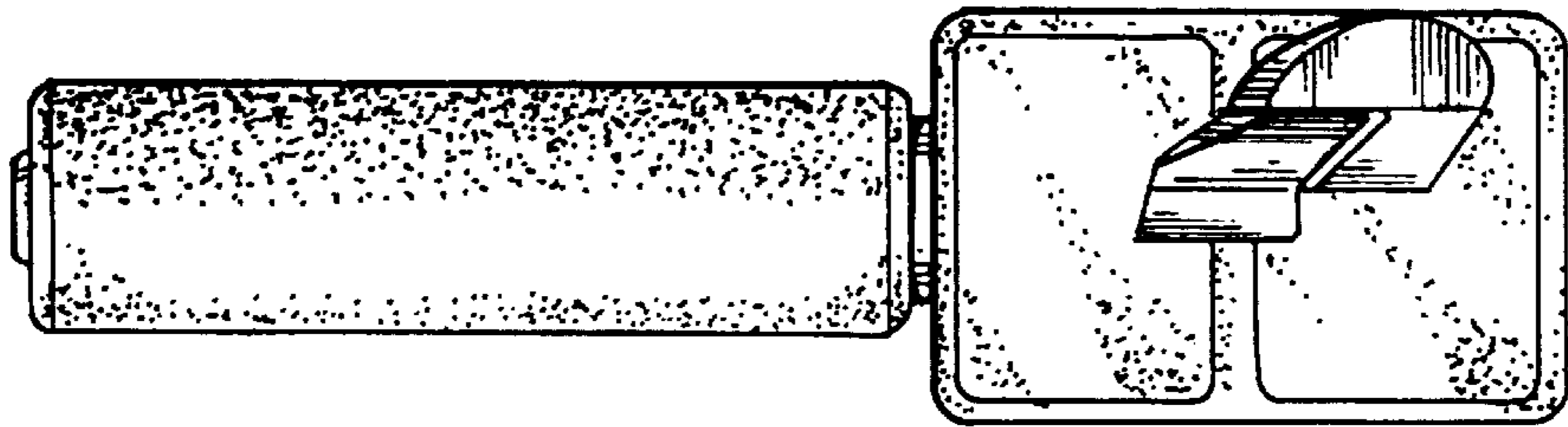


Fig. 3.

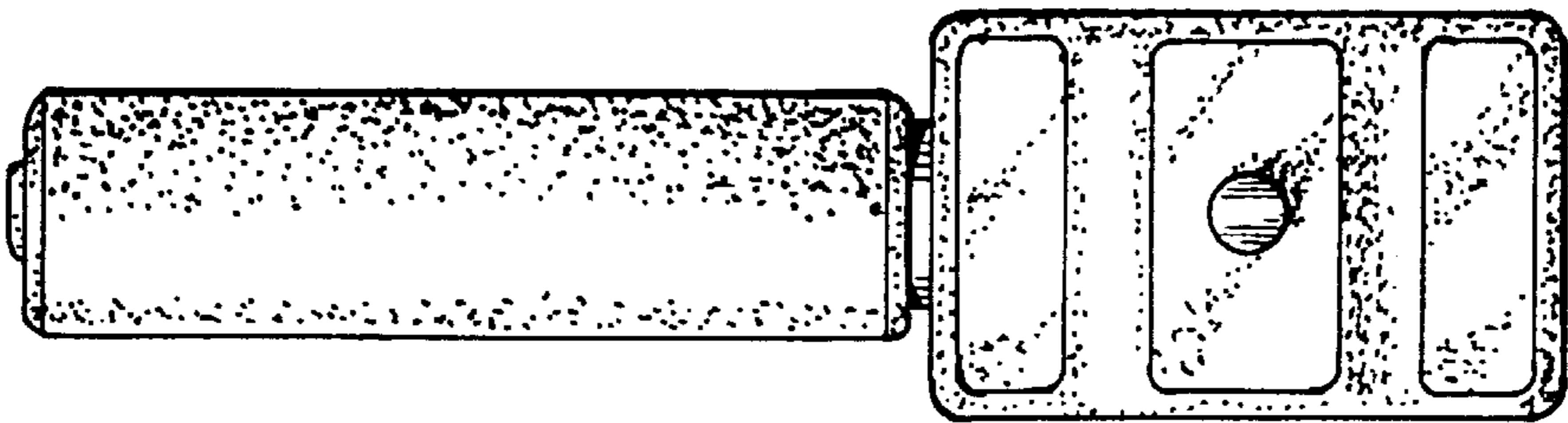


Fig. 2.

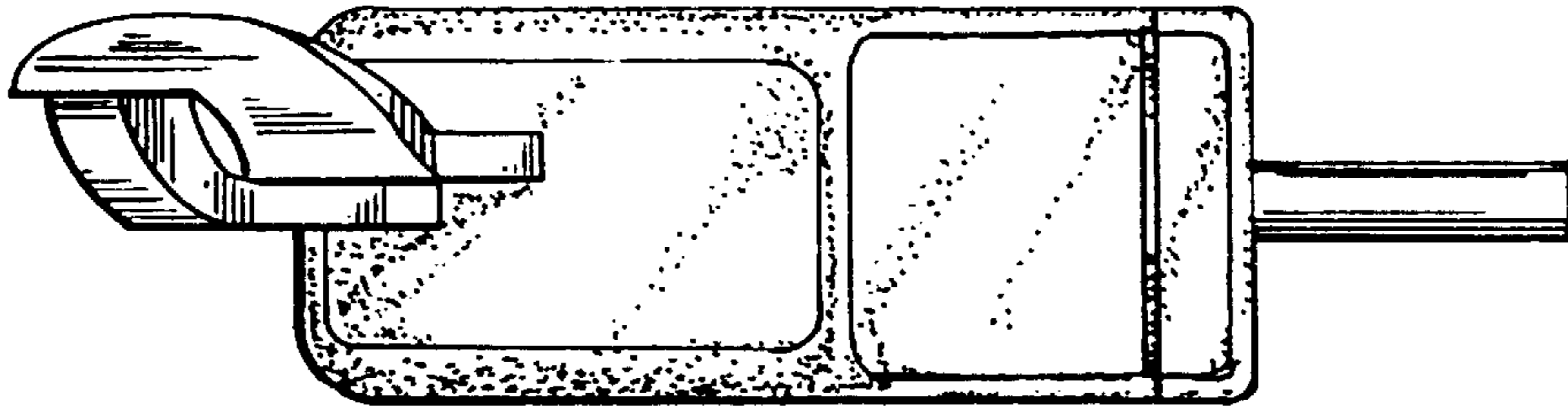


Fig. 5.

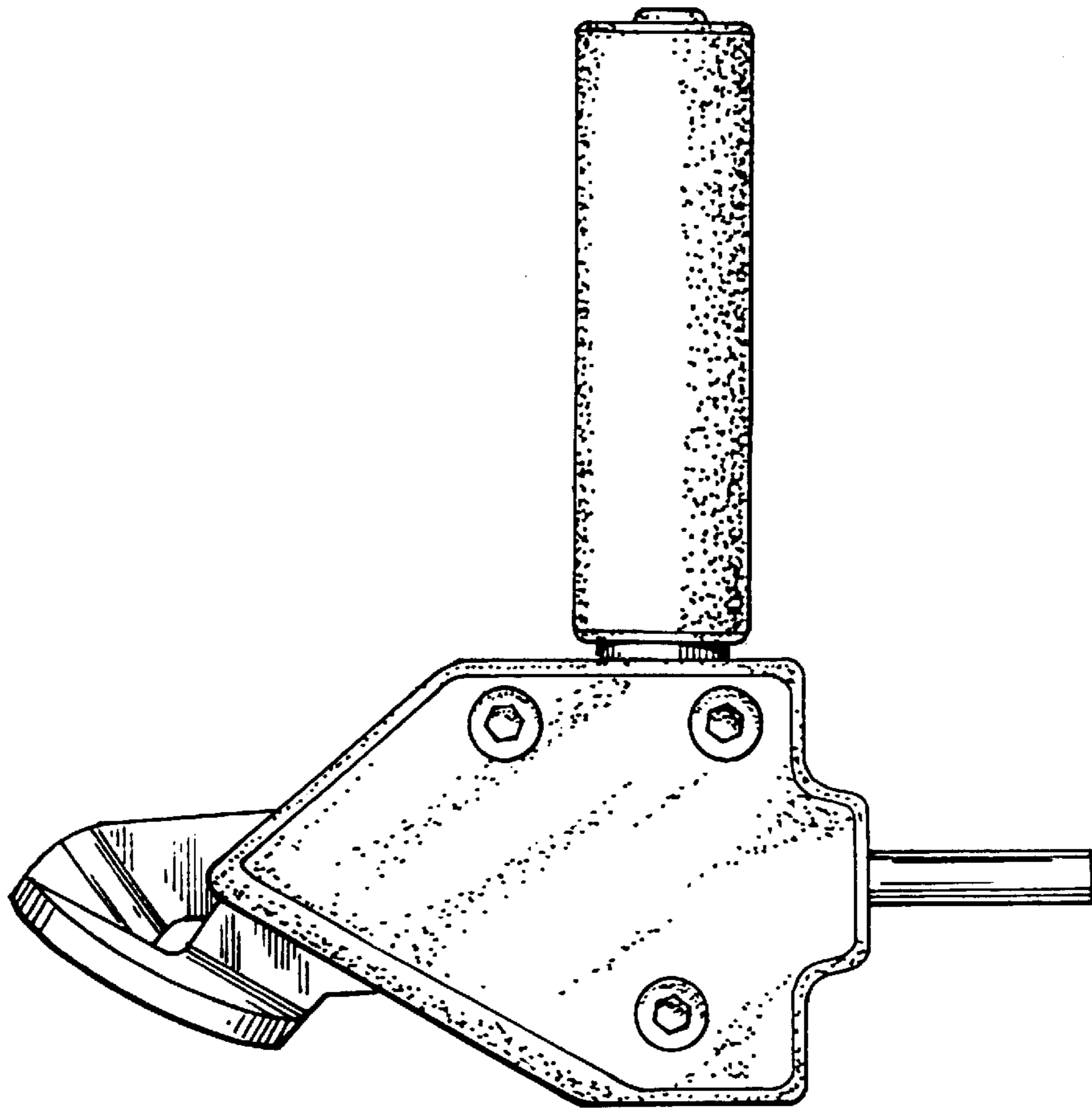


Fig. 4.

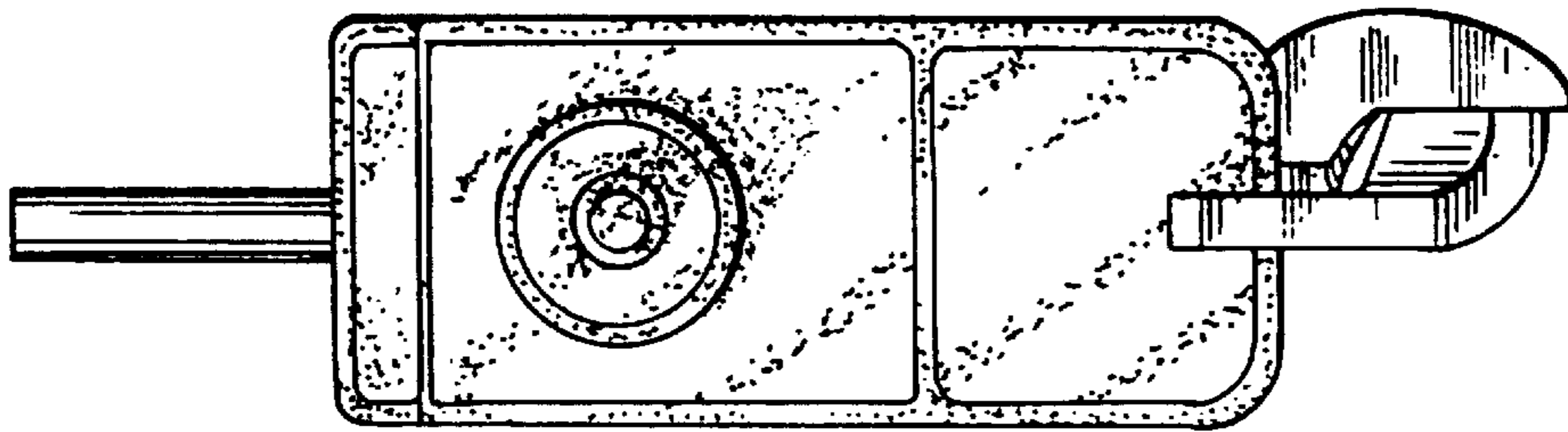


Fig. 7.

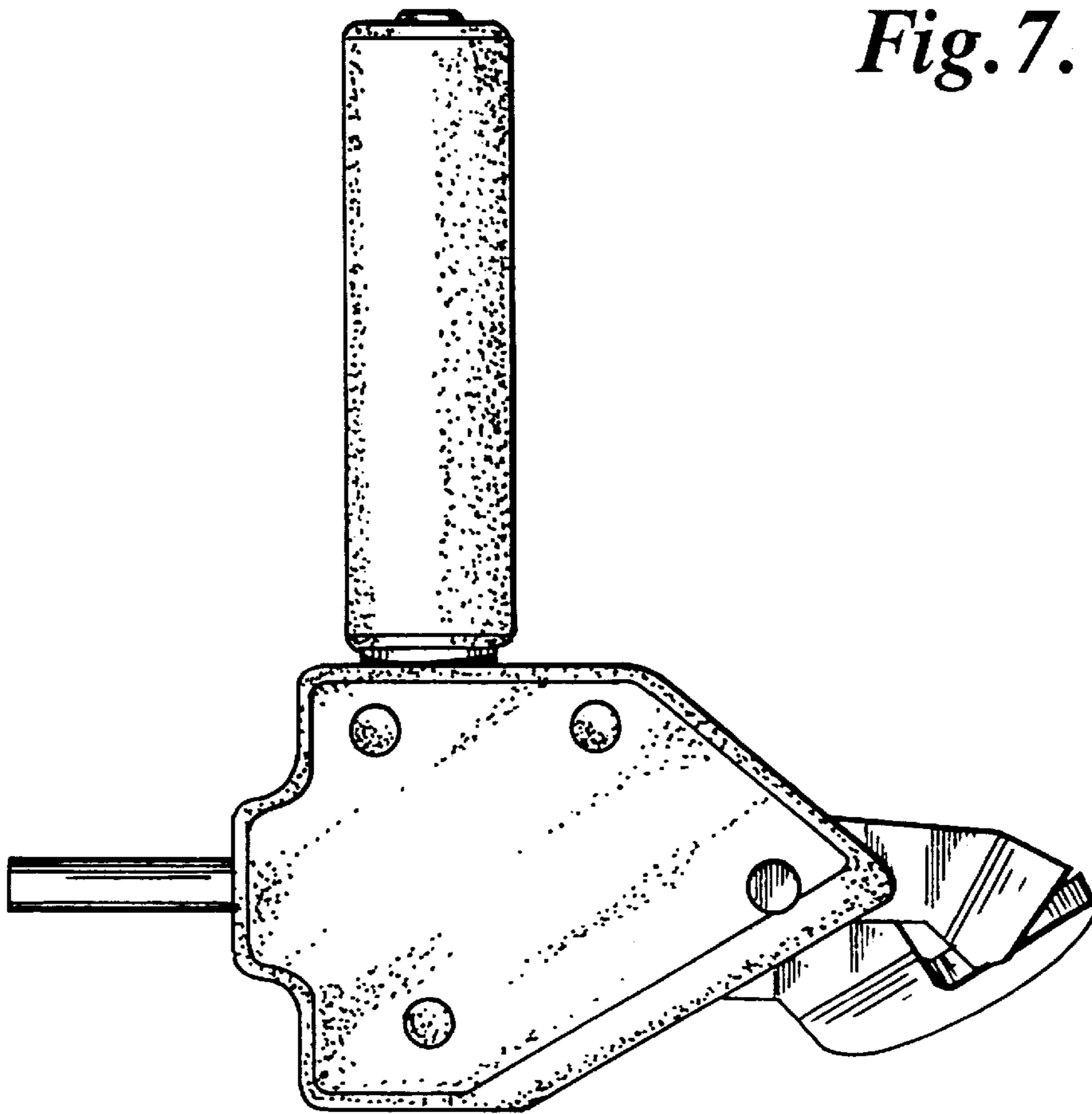


Fig. 6.