



US00D488693S

(12) **United States Design Patent**
Yahagi

(10) **Patent No.:** **US D488,693 S**

(45) **Date of Patent:** **** Apr. 20, 2004**

(54) **PUNCH**

(76) **Inventor:** **Keiji Yahagi**, B-1010 Tomioka 3-3,
Urayasu, Chiba (JP), 279-002

(**) **Term:** **14 Years**

(21) **Appl. No.:** **29/167,726**

(22) **Filed:** **Sep. 17, 2002**

(51) **LOC (7) Cl.** **08-05**

(52) **U.S. Cl.** **D8/51; D8/98**

(58) **Field of Search** D8/14, 47, 51,
D8/70.1, 98; D19/72; D15/123, 128; 30/119,
120.5, 164.6, 363, 366, 367; 83/588, 660,
662, 669, 681, 684, 691, 633

(56) **References Cited**

U.S. PATENT DOCUMENTS

173,630 A	*	2/1876	Hill	30/119
430,168 A	*	6/1890	Brown	83/468.93
1,127,915 A	*	2/1915	Nash	83/188
1,939,669 A	*	12/1933	Davis	30/363

2,275,525 A	*	3/1942	Halmrast	83/124
2,534,076 A	*	12/1950	Slick	83/553
D169,080 S	*	3/1953	Marano	D19/72
3,073,199 A	*	1/1963	Yerkes	83/549
3,108,558 A	*	10/1963	Galvin	72/324
4,641,430 A	*	2/1987	Hahn	30/120.5
5,303,625 A	*	4/1994	Hai-Shen	83/447

* cited by examiner

Primary Examiner—Clare E. Heflin

(57) **CLAIM**

The ornamental design for a punch, as shown.

DESCRIPTION

FIG. 1 is a front view of a punch showing my new design;
FIG. 2 is a right side view thereof;
FIG. 3 is a left side view thereof;
FIG. 4 is a back view thereof;
FIG. 5 is a plan view thereof; and,
FIG. 6 is a bottom view thereof.

1 Claim, 3 Drawing Sheets

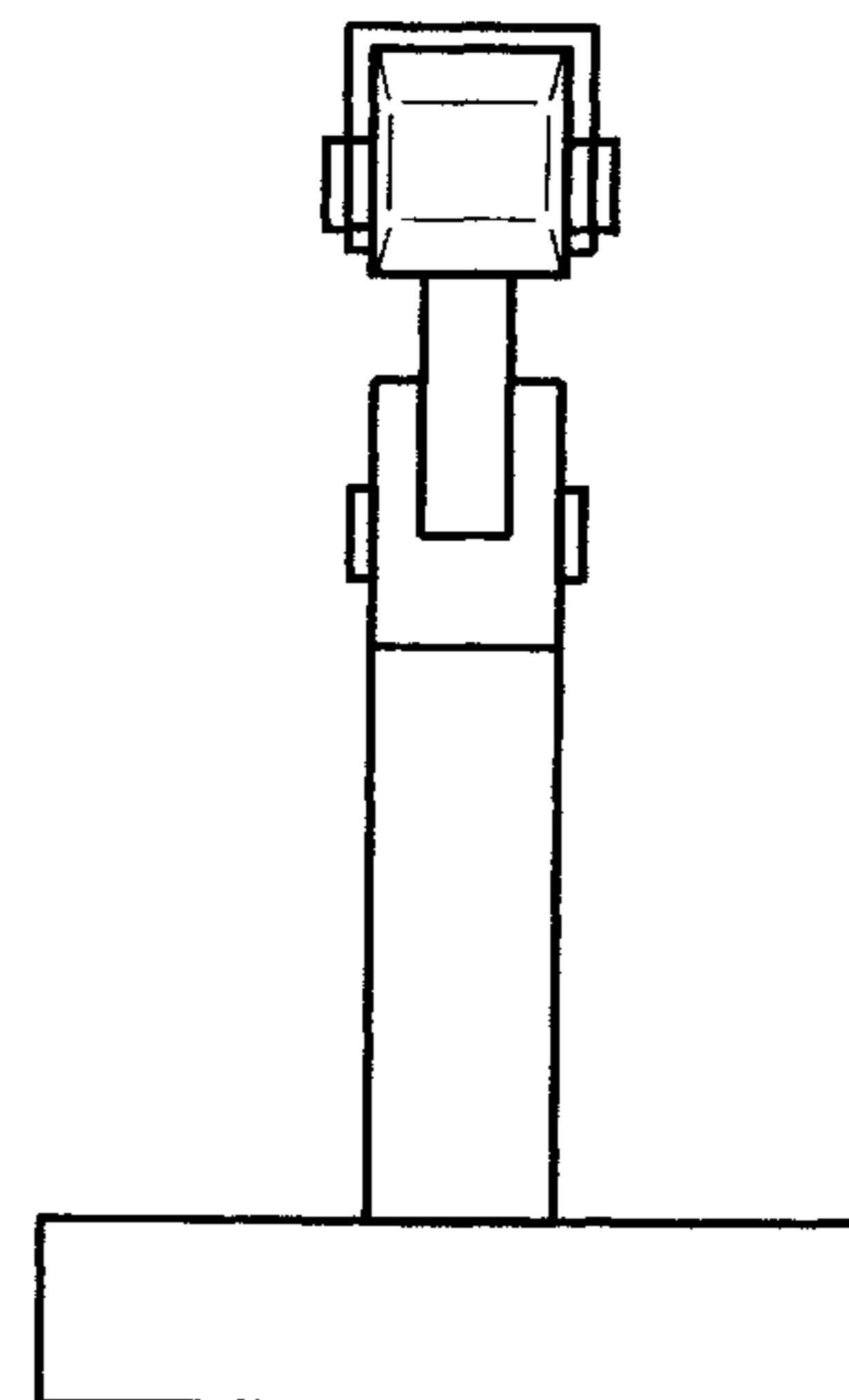
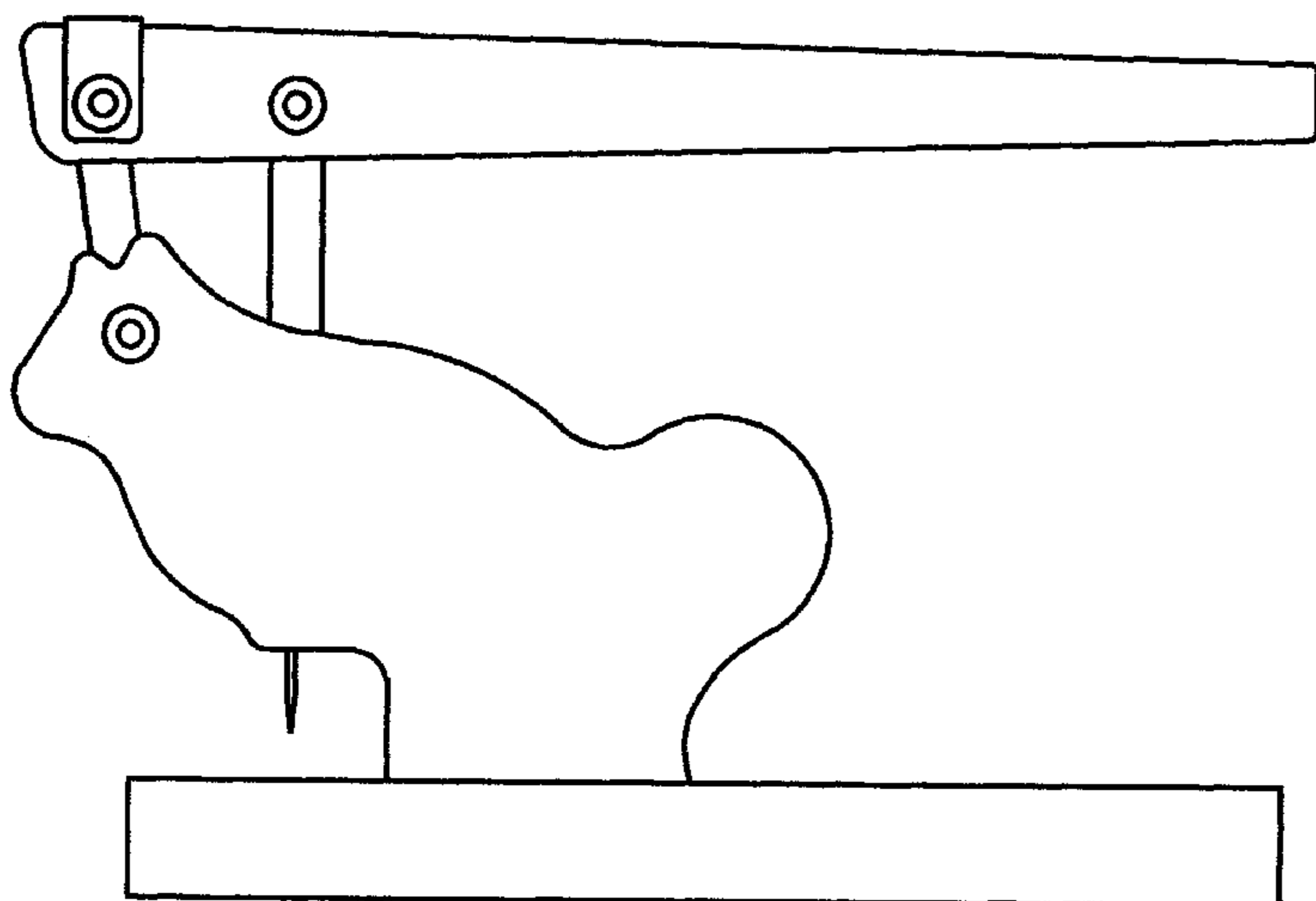


FIG. 2

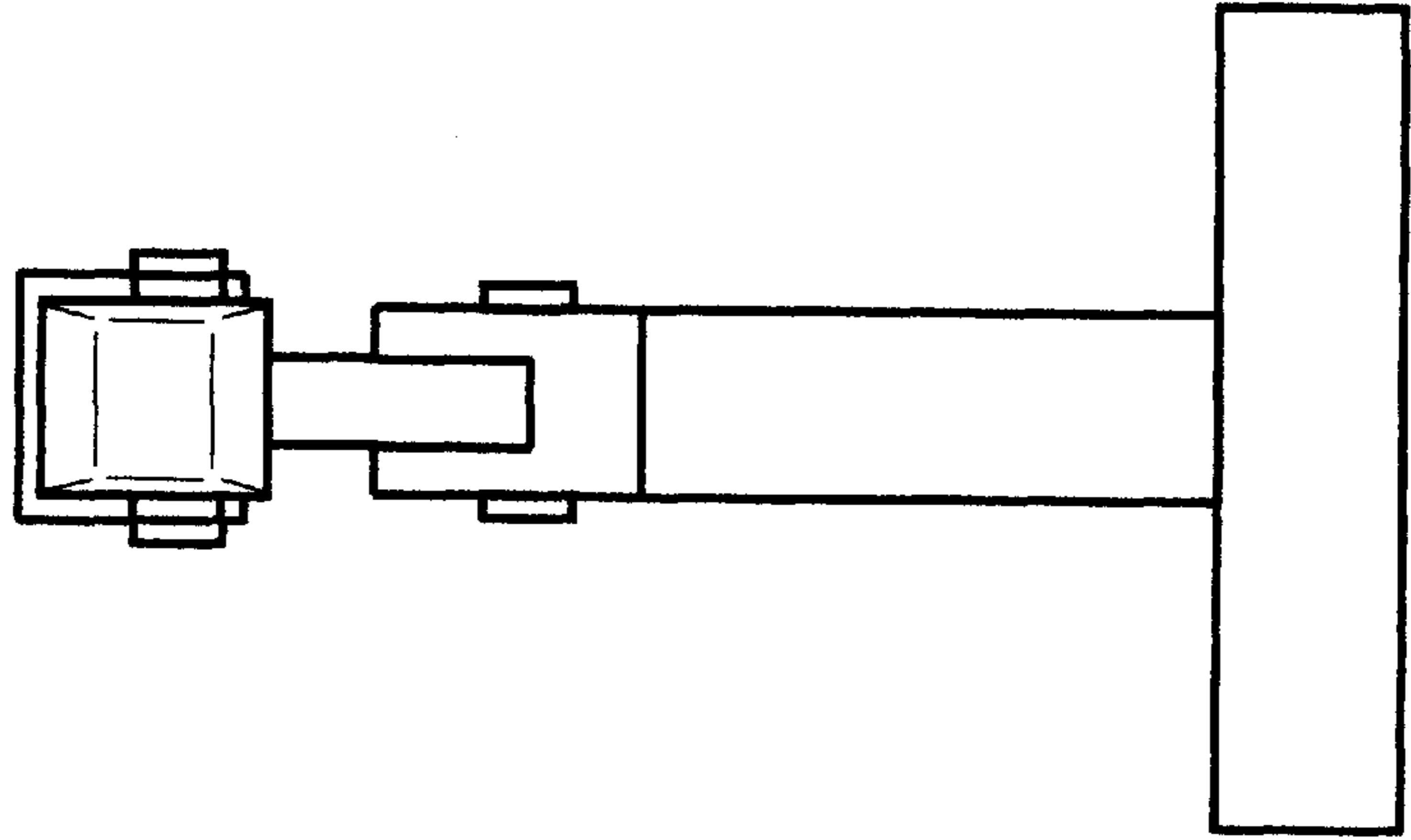


FIG. 1

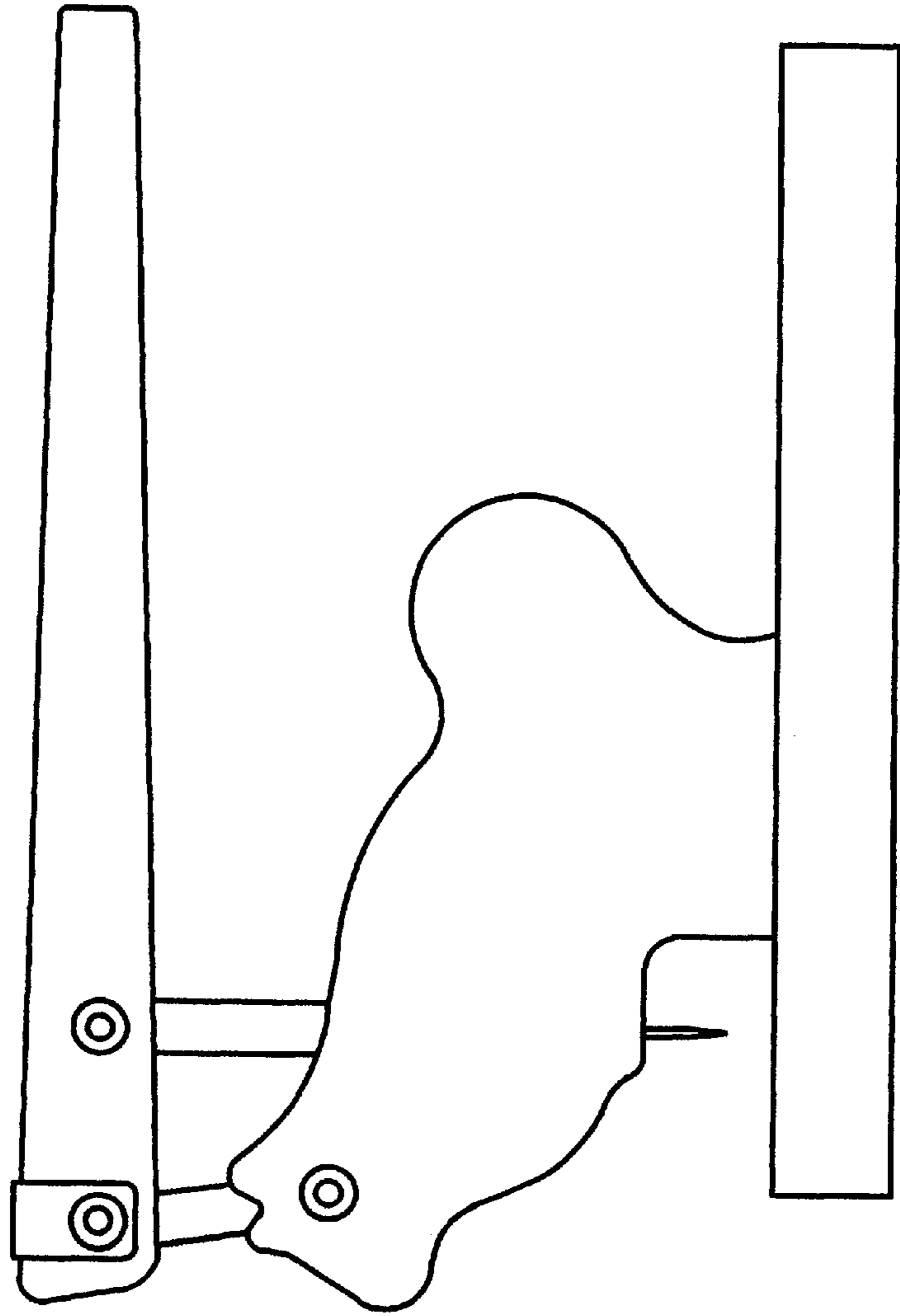


FIG. 4

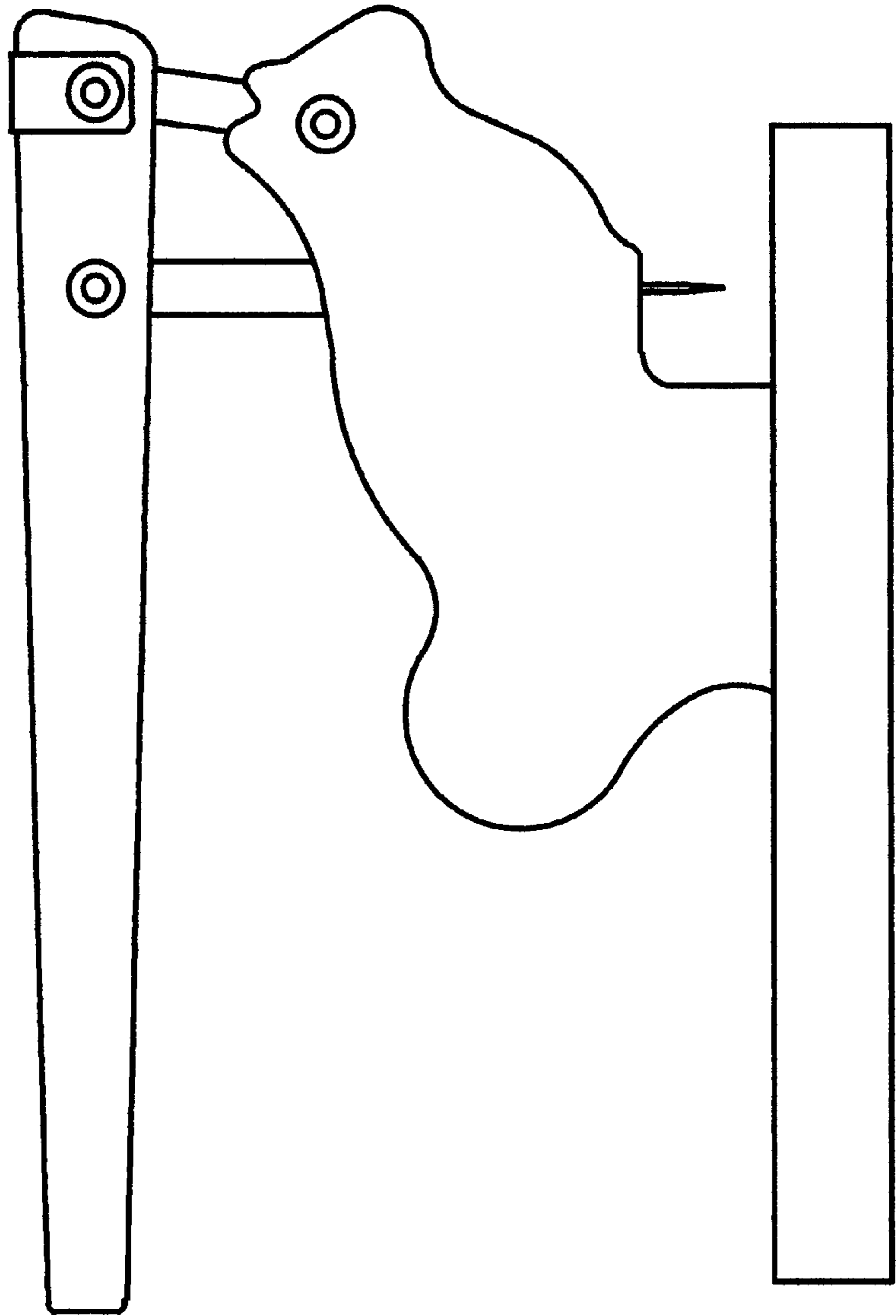


FIG. 3

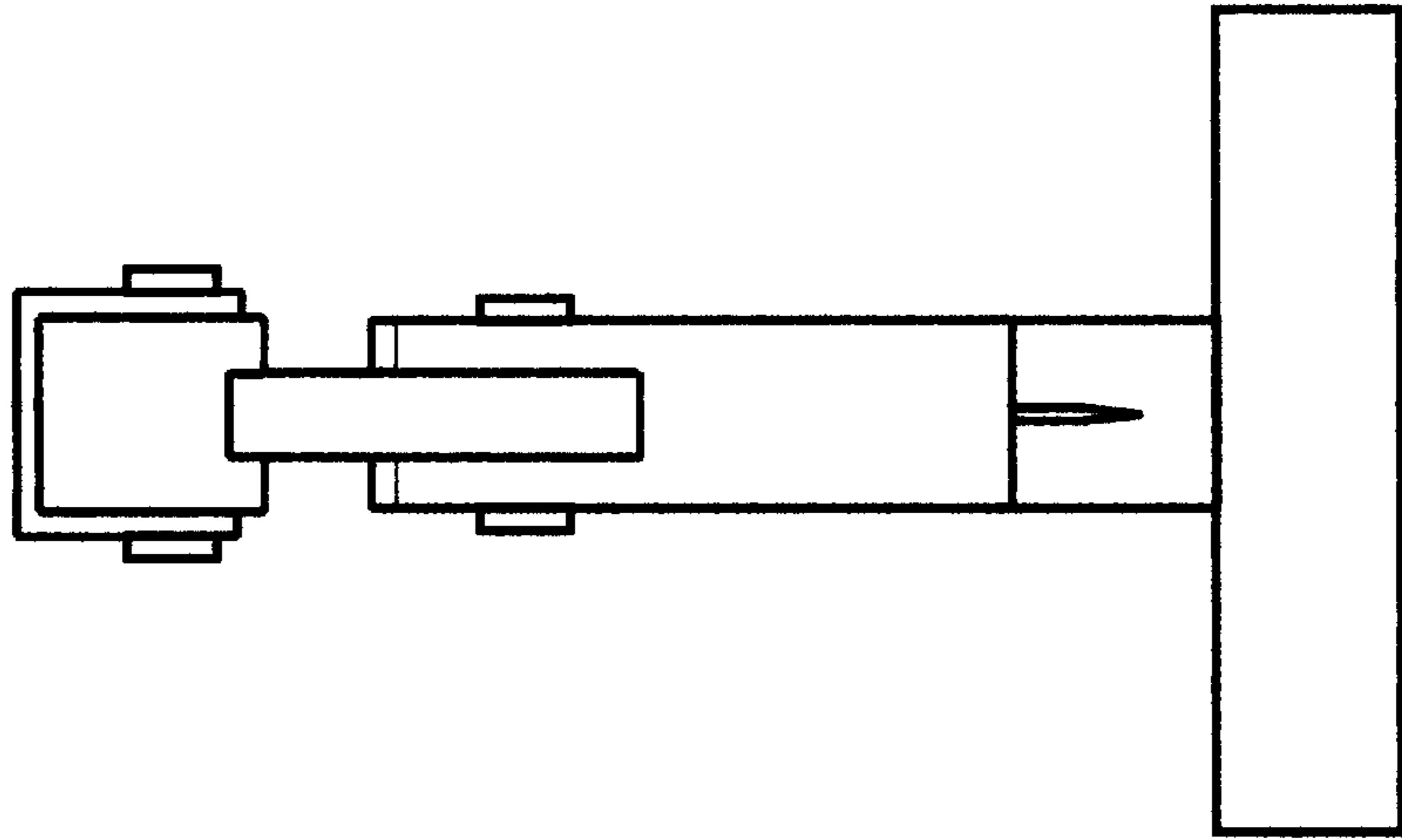


FIG. 5

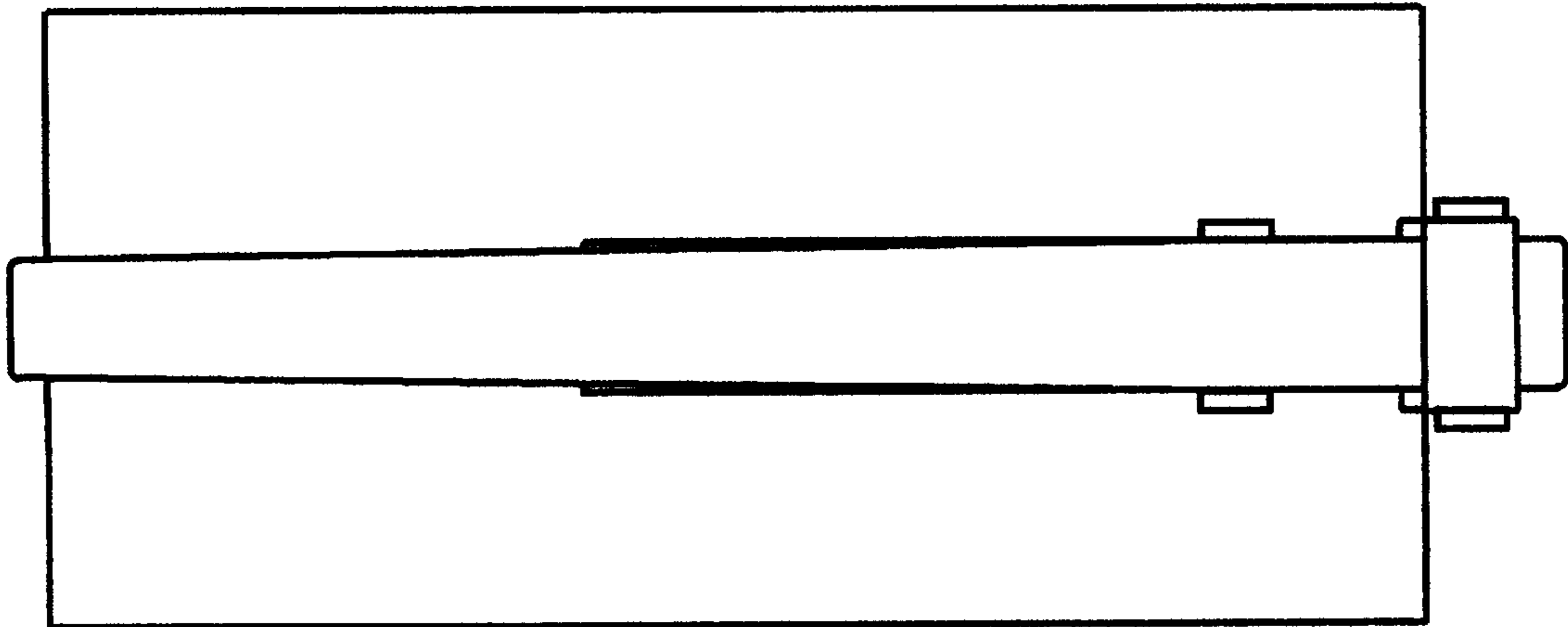


FIG. 6

