



US00D488692S

(12) **United States Design Patent**  
**Andina**

(10) **Patent No.:** **US D488,692 S**

(45) **Date of Patent:** **\*\* Apr. 20, 2004**

(54) **CORKSCREW**

D476,541 S \* 7/2003 Kushner et al. .... D8/39

(75) Inventor: **Diego Andina**, Gussago (IT)

\* cited by examiner

(73) Assignee: **Ghidini Cipriano S.p.A.**, Lumezzane  
Sant'Apollonio (IT)

*Primary Examiner*—Caron D. Veynar

(74) *Attorney, Agent, or Firm*—Guido Modiano; Albert  
Josif; Daniel O'Byrne

(\*\*) Term: **14 Years**

(57) **CLAIM**

(21) Appl. No.: **29/181,672**

The ornamental design for a “corkscrew,” as shown and  
described.

(22) Filed: **May 15, 2003**

**DESCRIPTION**

(51) **LOC (7) Cl.** ..... **07-06**

(52) **U.S. Cl.** ..... **D8/42**

(58) **Field of Search** ..... D8/33–43; 7/151–156;  
30/400–450; 81/3.07–3.49

FIG. 1 is a front perspective view of the “corkscrew”,  
showing my new design;

FIG. 2 is a right side view thereof;

FIG. 3 is a left side view thereof;

FIG. 4 is a front view thereof;

FIG. 5 is a rear view thereof;

FIG. 6 is a plan view thereof, taken from above; and,

FIG. 7 is a plan view thereof, taken from below.

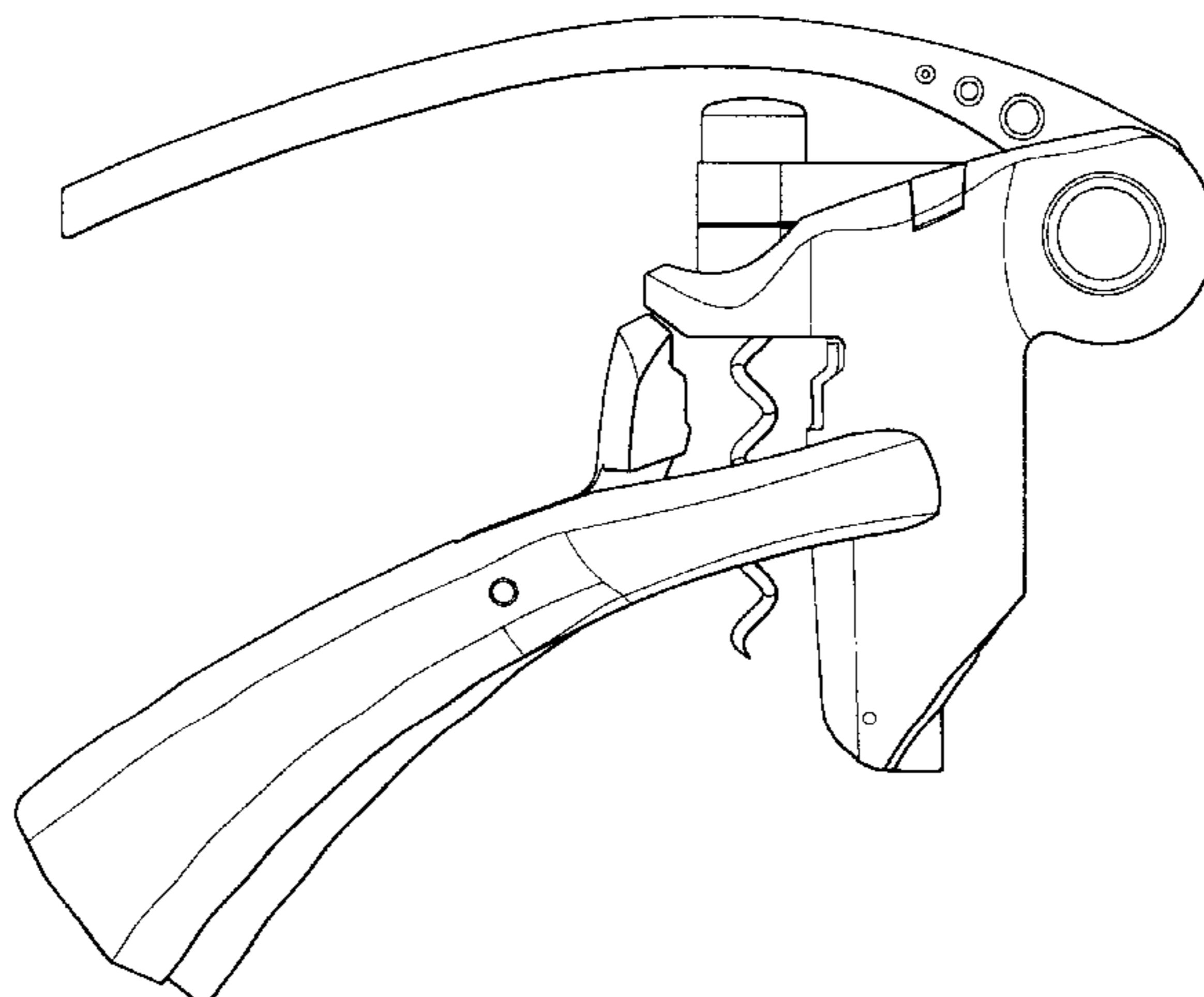
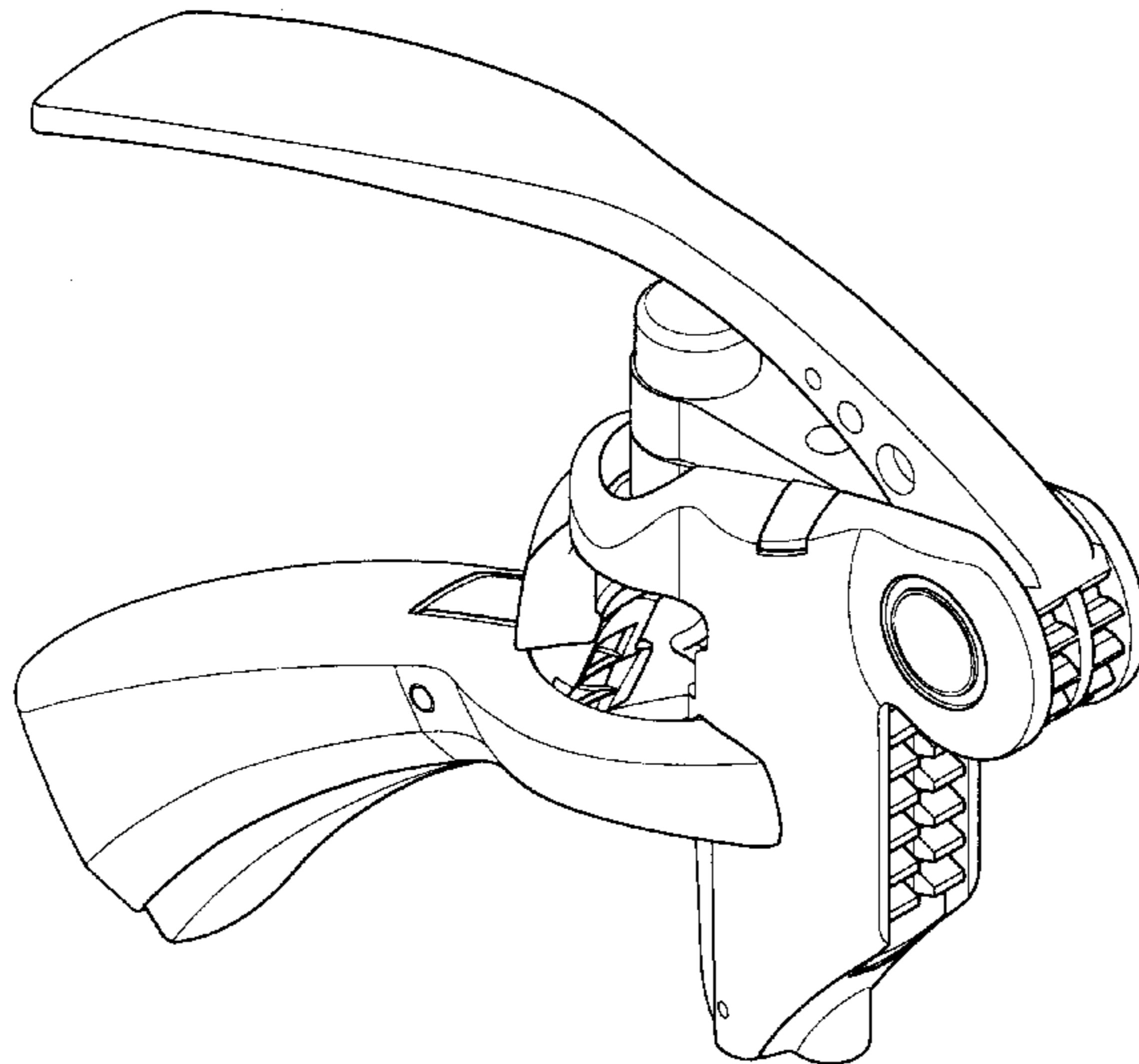
(56) **References Cited**

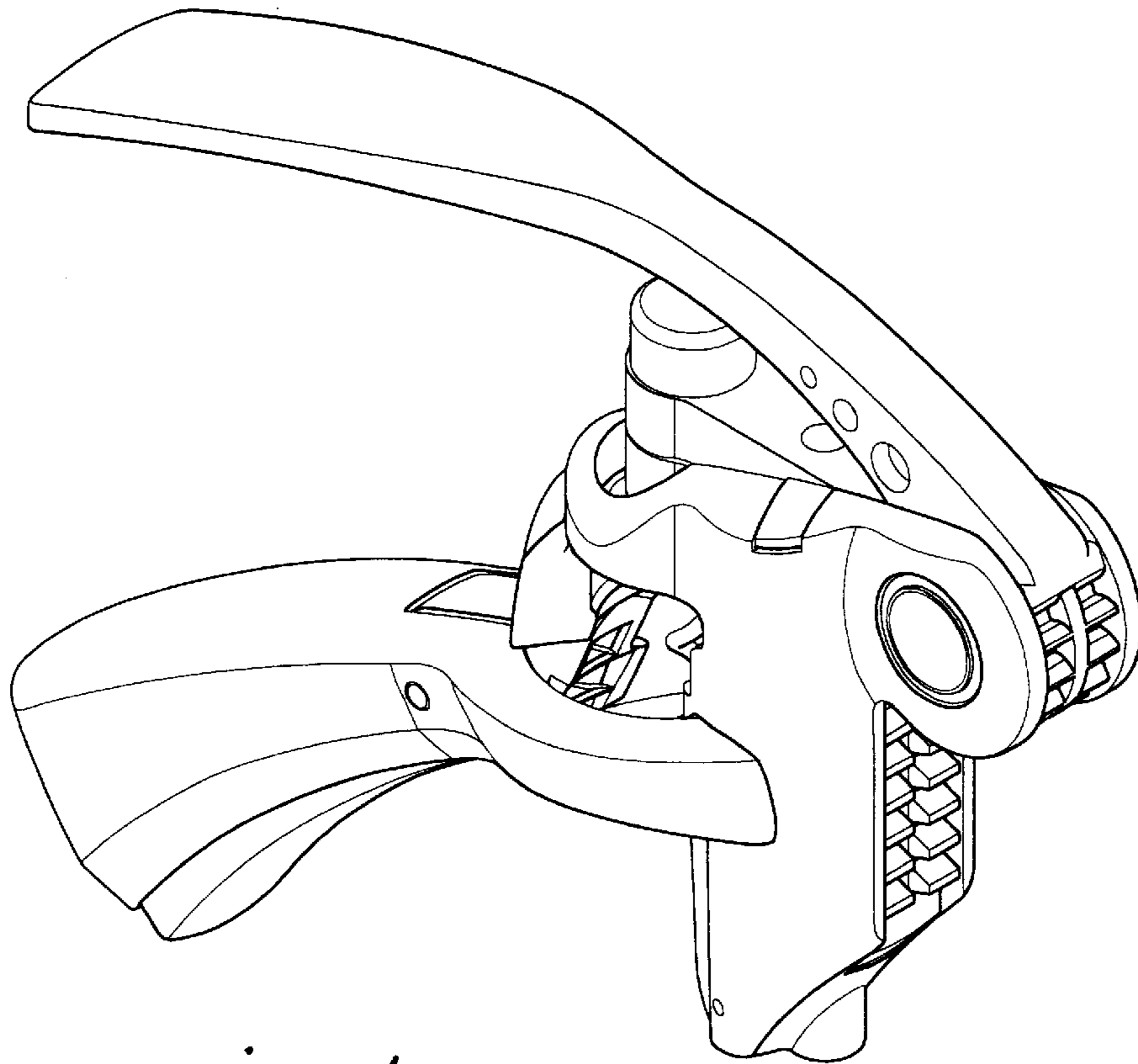
**U.S. PATENT DOCUMENTS**

D465,710 S \* 11/2002 Kao ..... D8/39

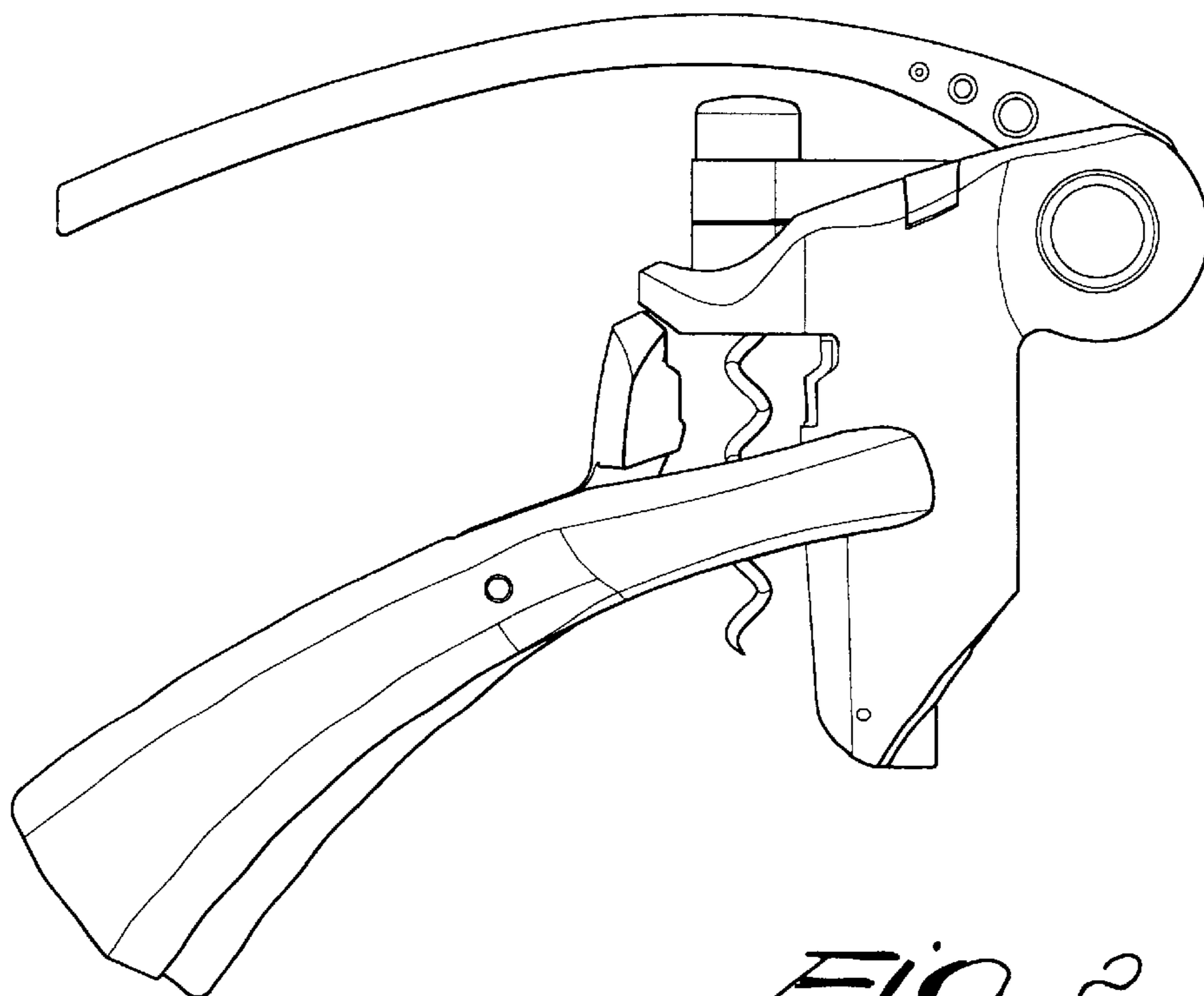
D476,206 S \* 6/2003 Kushner et al. .... D8/39

**1 Claim, 3 Drawing Sheets**

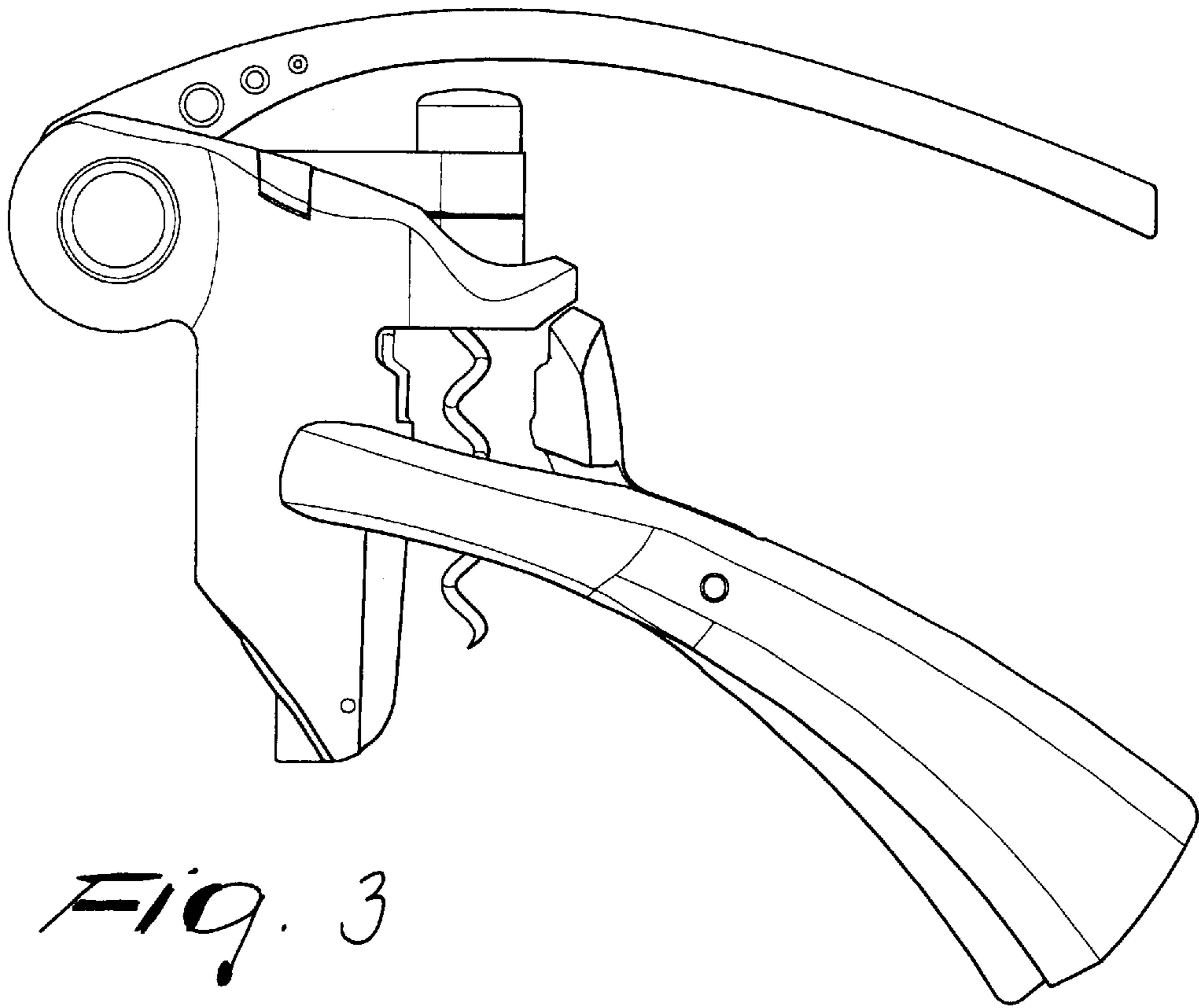




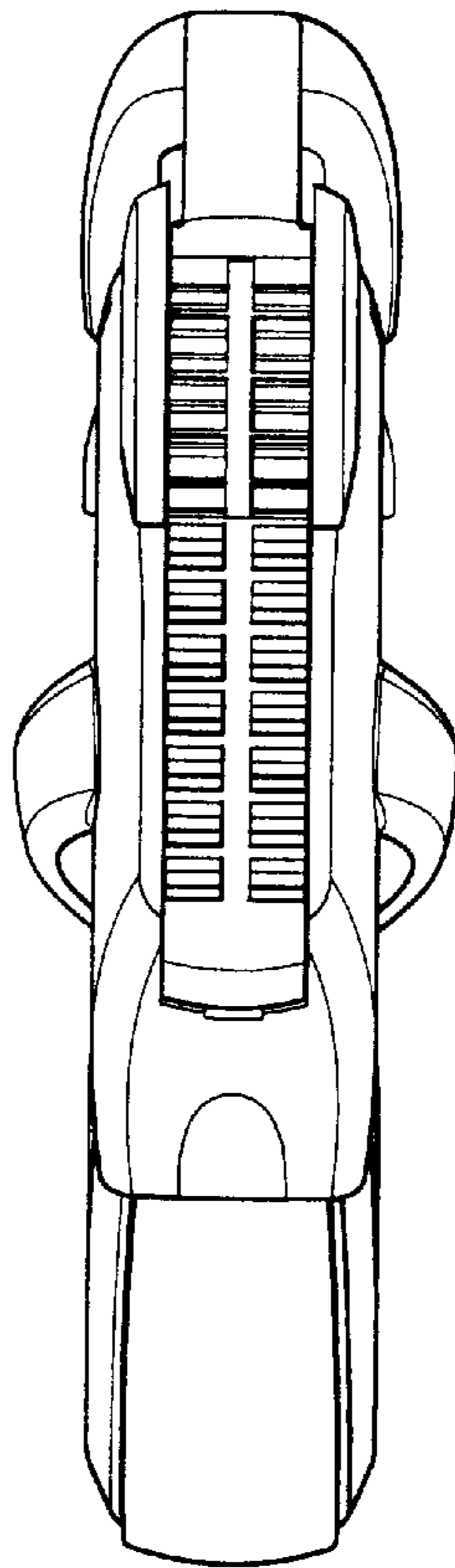
*FIG. 1*



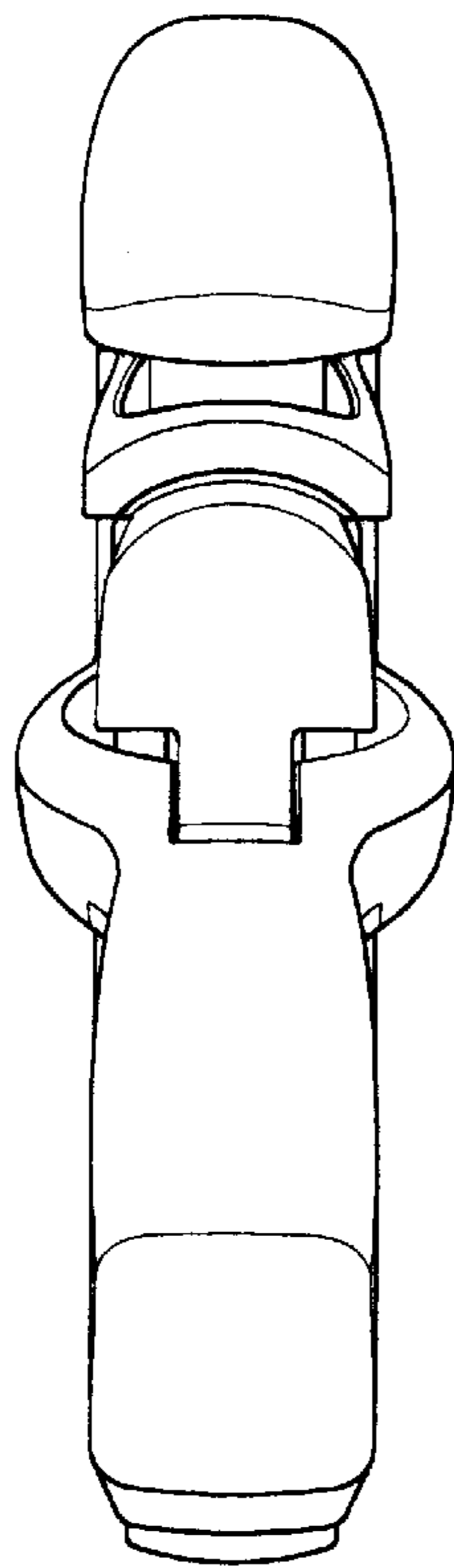
*FIG. 2*



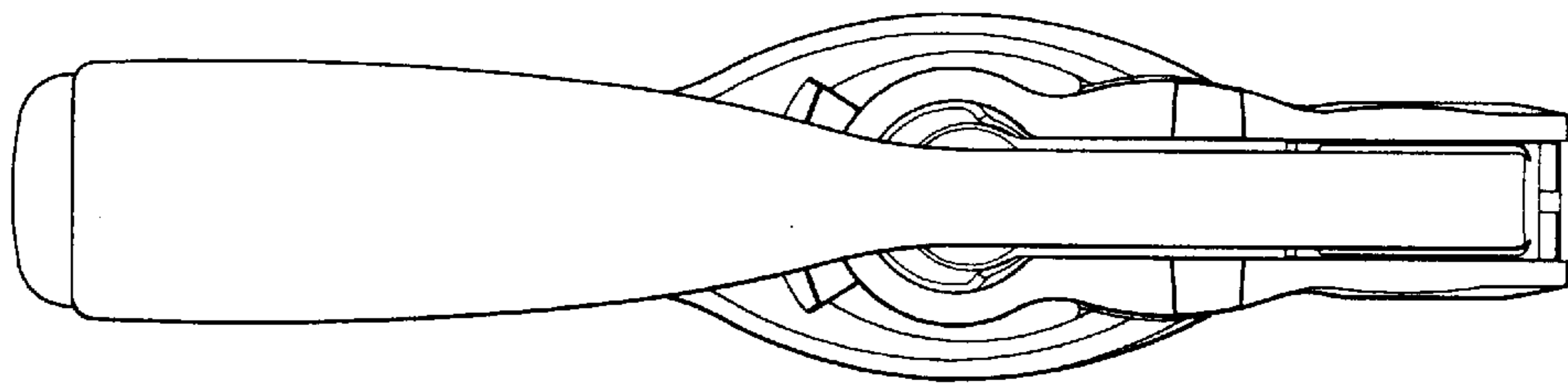
*Fig. 3*



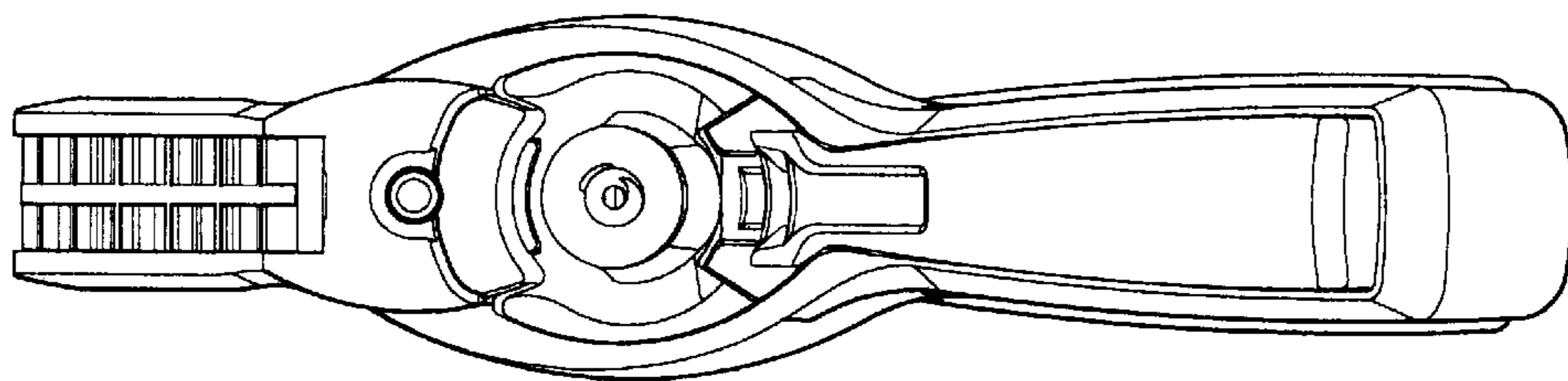
*Fig. 4*



*Fig. 5*



*Fig. 6*



*Fig. 7*