



US00D488690S

(12) **United States Design Patent**  
**Haas et al.**

(10) **Patent No.:** **US D488,690 S**

(45) **Date of Patent:** **\*\* Apr. 20, 2004**

(54) **BOTTLE OPENER FOR DISPOSABLE LIGHTER**

(76) Inventors: **James F. Haas**, 7320 Aspen Glen La., Colorado Springs, CO (US) 80919;  
**Eldon L. Goates**, 1630 Vasquez Cir., Colorado Springs, CO (US) 80915

(\*\*) Term: **14 Years**

(21) Appl. No.: **29/182,244**

(22) Filed: **May 22, 2003**

(51) **LOC (7) Cl.** ..... **07-99**

(52) **U.S. Cl.** ..... **D8/34; D27/142**

(58) **Field of Search** ..... D8/33-43; D27/142;  
7/151-156; 30/400-450; 81/3.07-3.49;  
431/253; 206/38.1, 234

(56) **References Cited**

**U.S. PATENT DOCUMENTS**

1,755,086 A	4/1930	Tapp	81/3.09
1,810,630 A	6/1931	Tapp	81/3.09
2,745,301 A	5/1956	Grunwald	81/3.15
4,373,223 A	2/1983	Miller	7/151
4,522,584 A	6/1985	Crespy	431/253
4,553,926 A	11/1985	Crespy	431/253
4,560,344 A	12/1985	Kietaibl	431/253
4,569,653 A	2/1986	Becker et al.	431/253
4,625,861 A *	12/1986	Krog	206/234
4,642,827 A	2/1987	Karuzas	7/151
4,854,856 A	8/1989	Steiger, Jr. et al.	431/253
D303,613 S	9/1989	Carmody	D8/40
D308,929 S	7/1990	Greig et al.	D8/34
5,169,305 A	12/1992	Kee	431/253
D367,413 S	2/1996	Ballin	D8/34
D373,290 S	9/1996	Ballin	D7/536
D374,740 S	10/1996	Seaman et al.	D27/142
D378,440 S	3/1997	Collette	D27/142
5,682,981 A *	11/1997	Sudborough	206/38.1
5,829,965 A	11/1998	Rubalcava	431/253
D433,297 S	11/2000	Haas	D8/34

D436,008 S *	1/2001	Klein et al.	D8/34
D458,098 S *	6/2002	Hastings	D8/34
D473,437 S *	4/2003	Klein et al.	D8/34

\* cited by examiner

*Primary Examiner*—Caron D. Veynar

(57) **CLAIM**

The ornamental design for a bottle opener for disposable lighter, as shown and described.

**DESCRIPTION**

The claimed bottle opener can be used to pry a bottle top of a bottle.

FIG. 1 is a top and side perspective view of the bottle opener for disposable lighter showing our new design;

FIG. 2 is an exploded view of the bottle opener for disposable lighter;

FIG. 3 is a side view of the bottle opener for disposable lighter, the opposite side view is a mirror image thereof;

FIG. 4 is a top view of the bottle opener for disposable lighter;

FIG. 5 is a front view of the bottle opener for disposable lighter;

FIG. 6 is a side view of the bottle opener for disposable lighter, the opposite side view being a mirror image thereof;

FIG. 7 is a rear view of the bottle opener for disposable lighter;

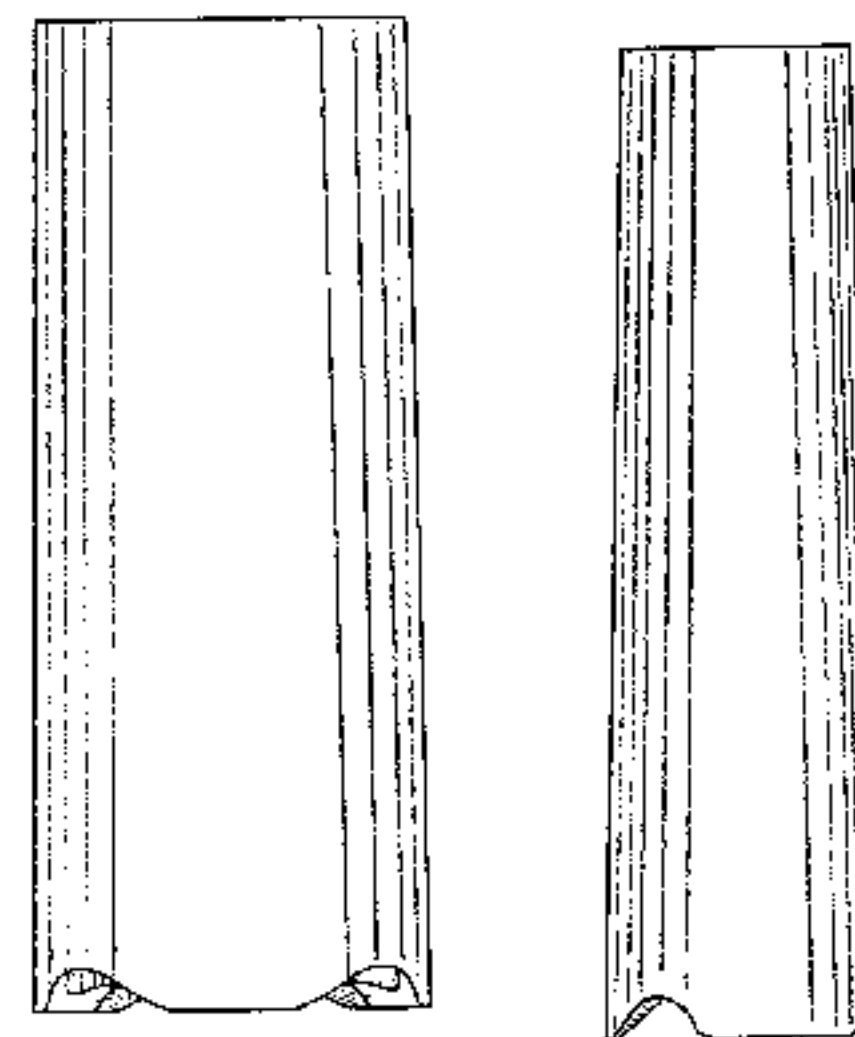
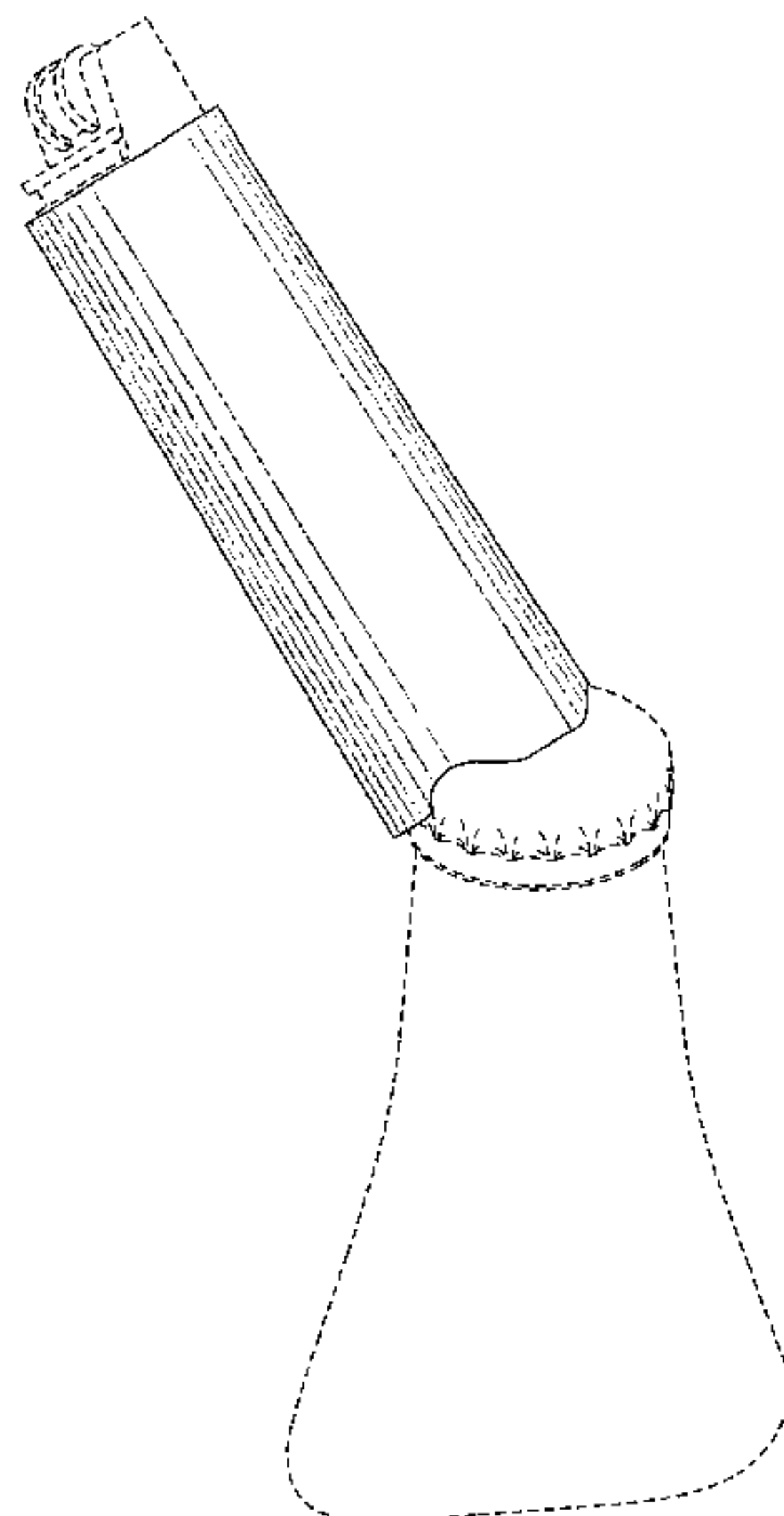
FIG. 8 is a bottom view of the bottle opener for disposable lighter;

FIG. 9 is an enlarged bottom perspective view of the bottle opener for disposable lighter showing the lip of such opener capable of engaging a bottle top; and,

FIG. 10 is an enlarged side and bottom perspective view of the bottle opener for disposable lighter showing the lip of such opener capable of engaging a bottle top.

The broken lines of a disposable lighter and a bottle shown in FIGS. 1-3 are for illustrative purposes only and form no part of the claimed design.

**1 Claim, 6 Drawing Sheets**



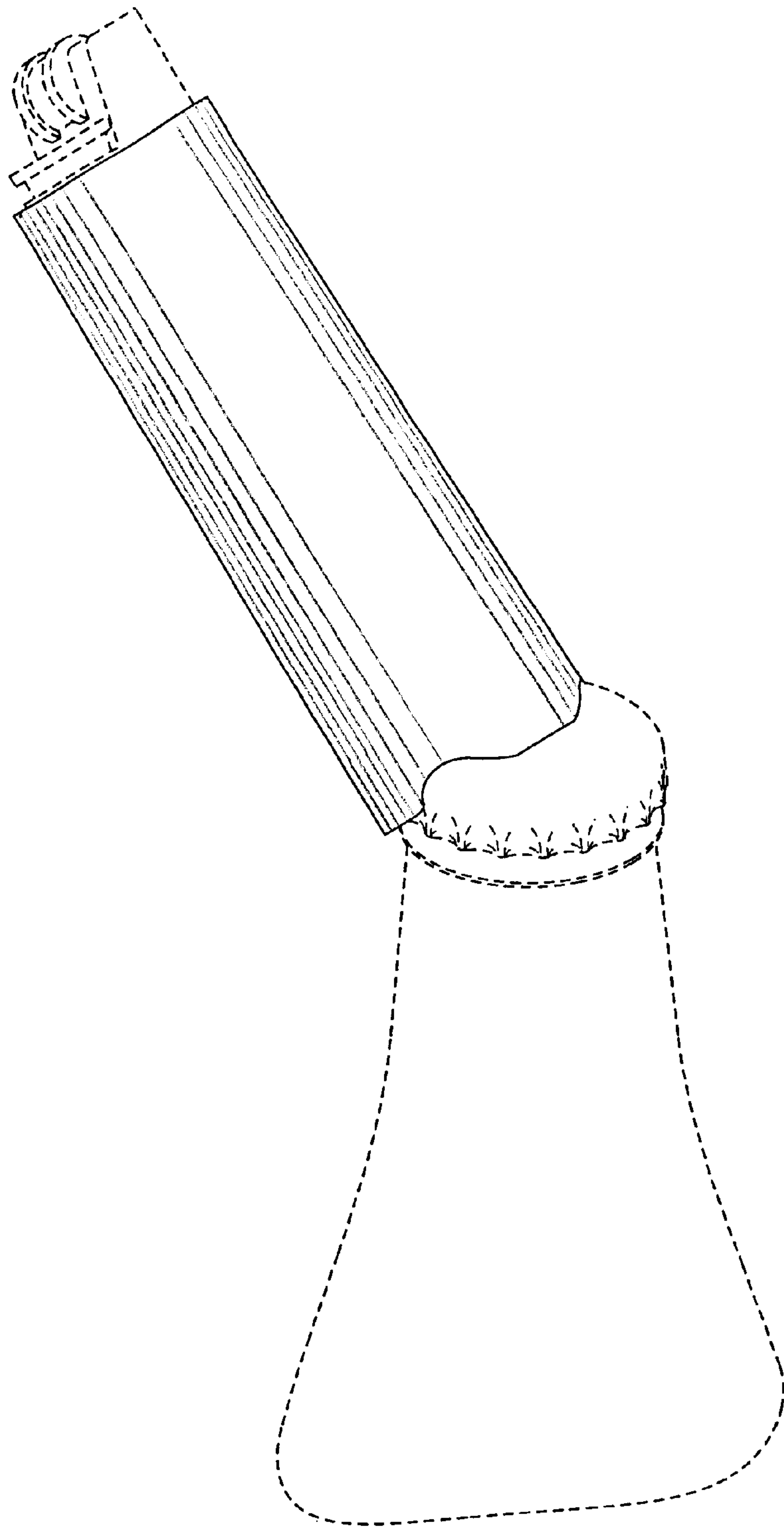


Figure 1

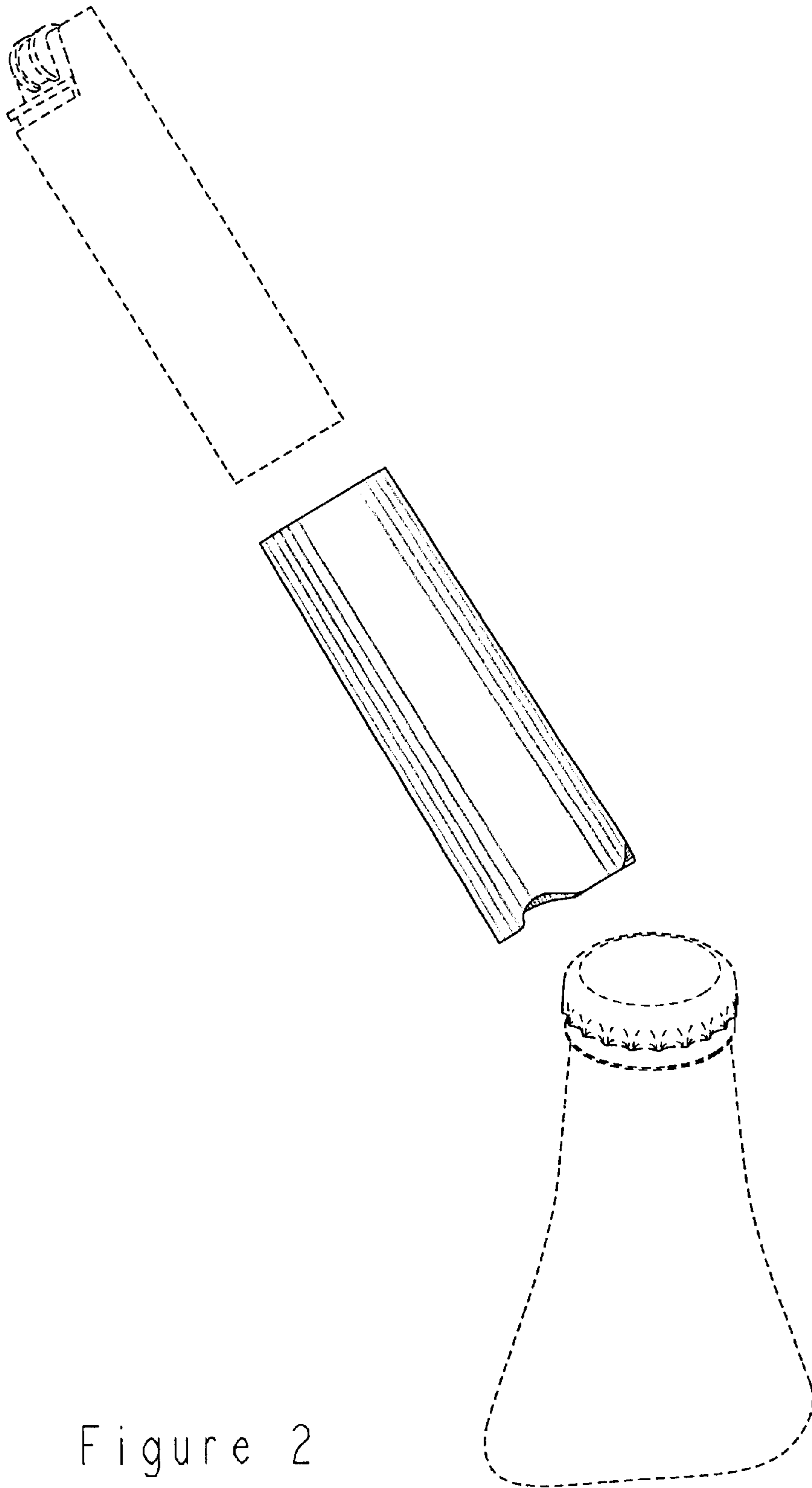


Figure 2

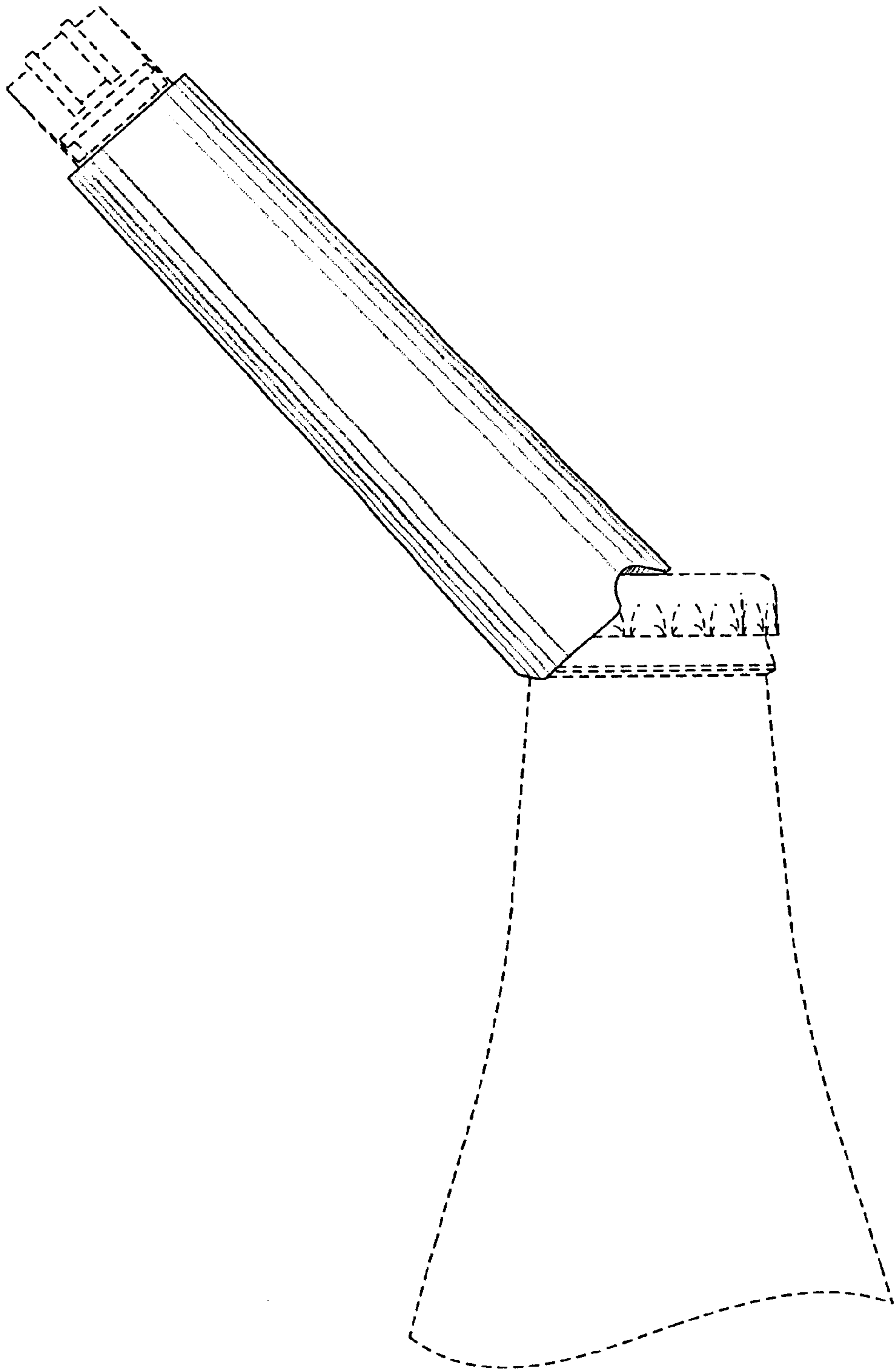


Figure 3

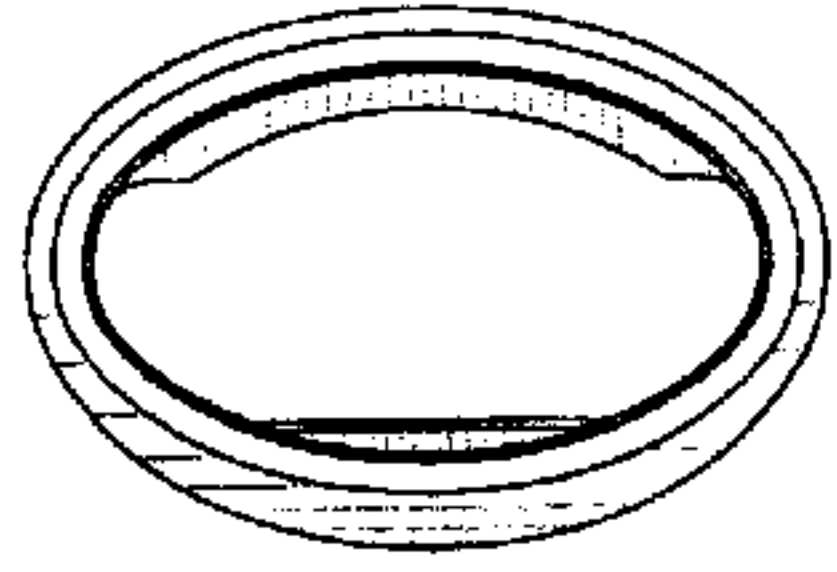


Figure 4

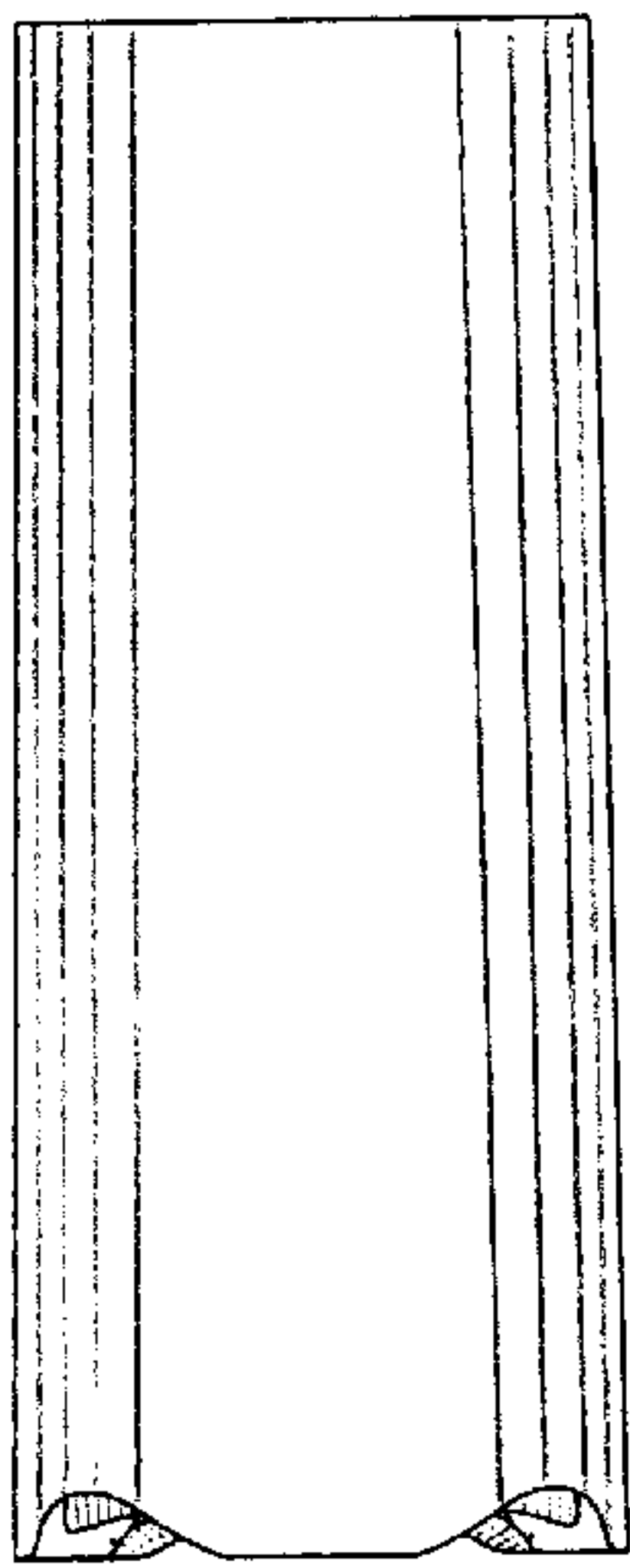


Figure 5

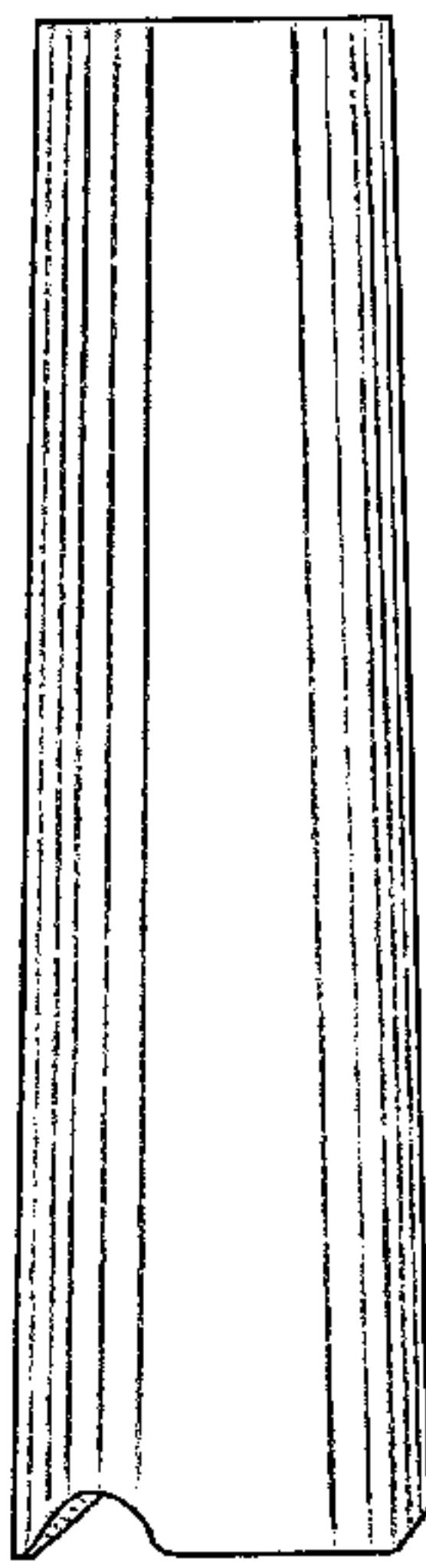


Figure 6

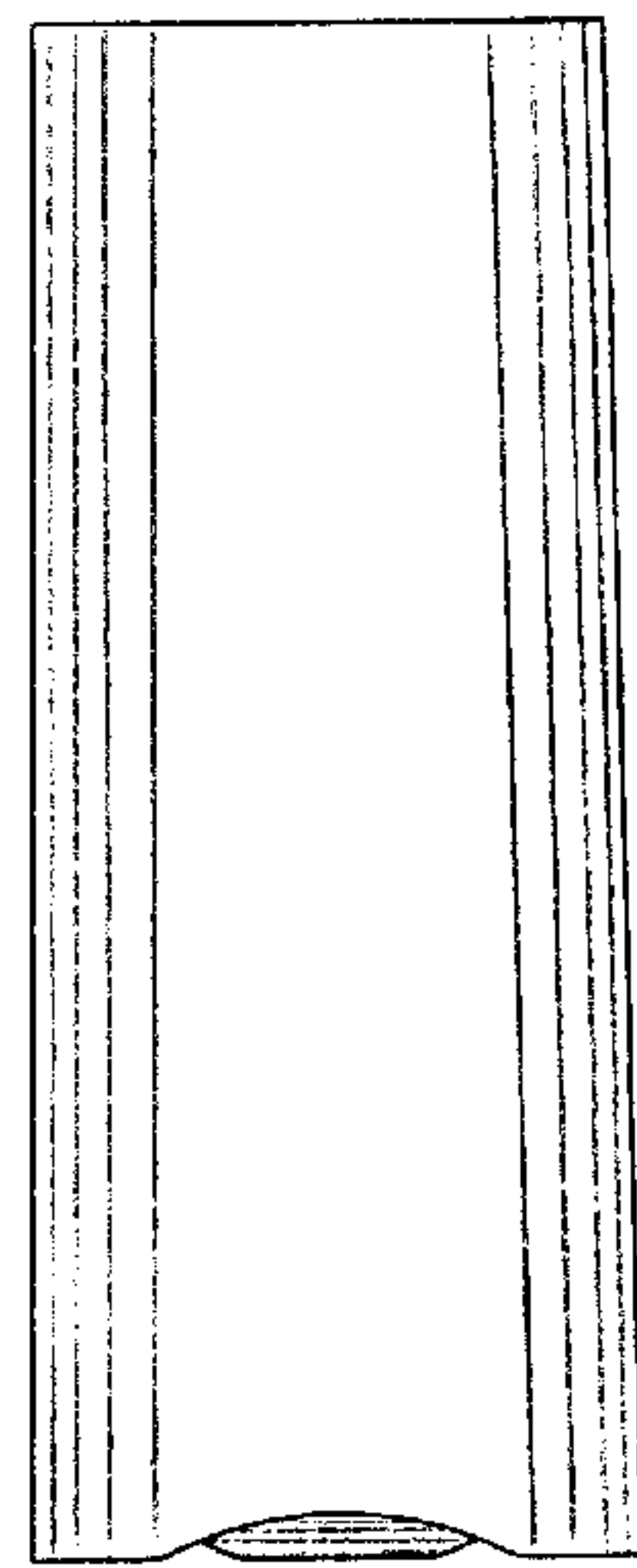


Figure 7

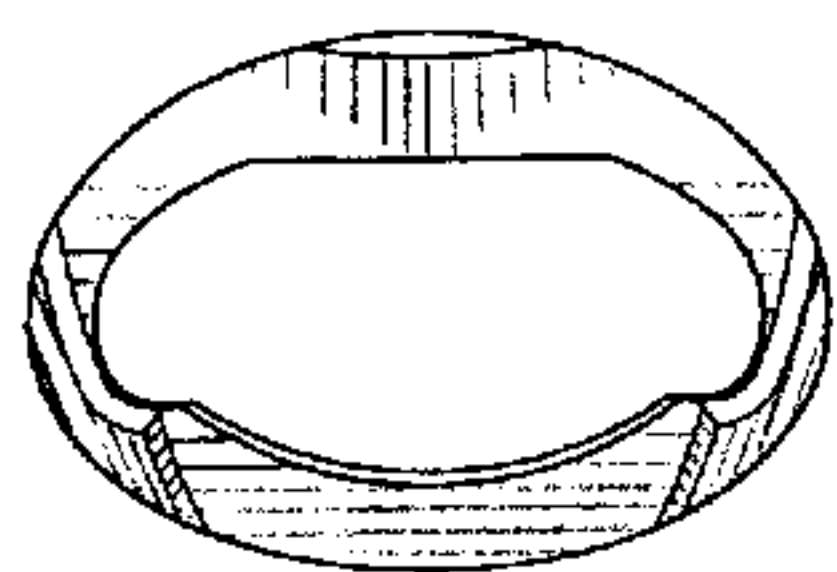


Figure 8



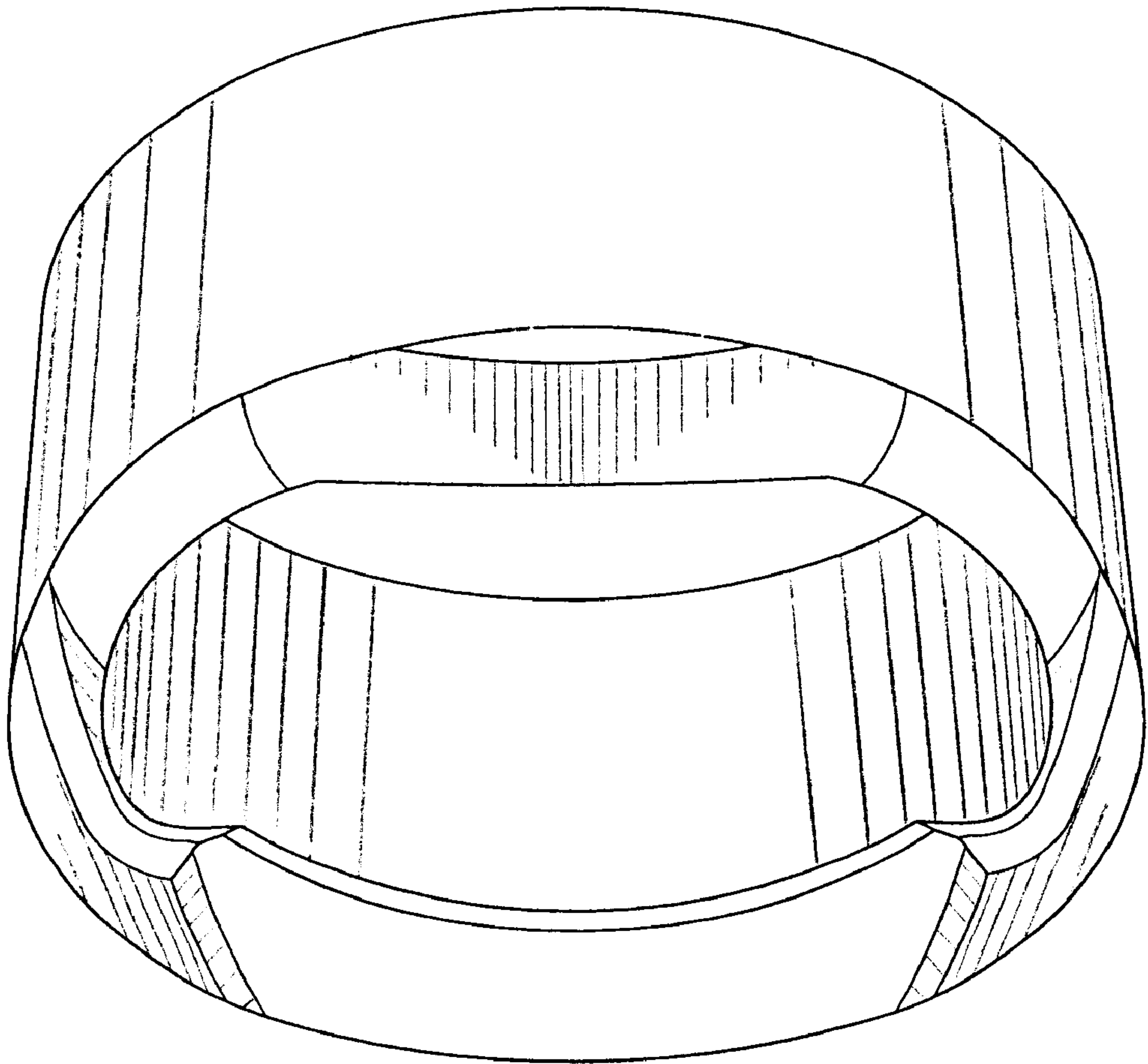


Figure 9

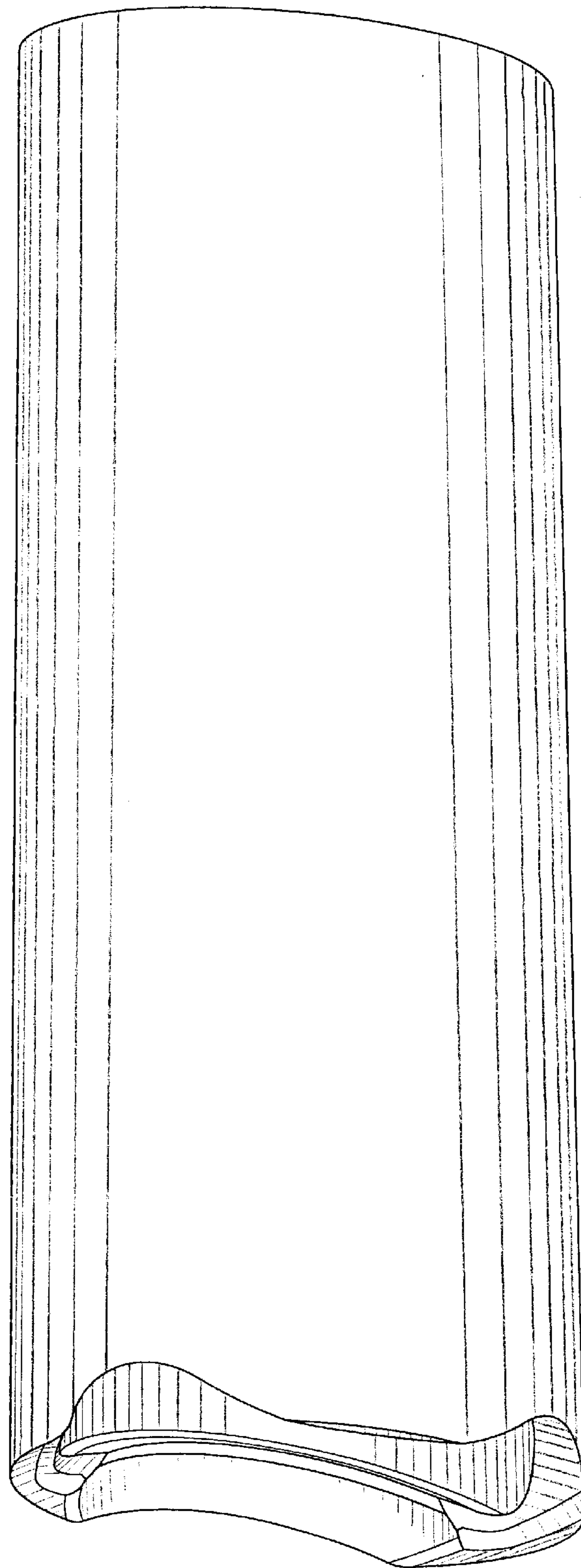


Figure 10