



US00D488687S

(12) **United States Design Patent**  
**Maeda**

(10) **Patent No.:** **US D488,687 S**

(45) **Date of Patent:** **\*\* Apr. 20, 2004**

(54) **HEDGE TRIMMER**

(75) Inventor: **Joji Maeda, Saitama (JP)**

(73) Assignee: **Honda Giken Kogyo Kabushiki Kaisha, Tokyo (JP)**

(\*\*) Term: **14 Years**

(21) Appl. No.: **29/176,329**

(22) Filed: **Feb. 24, 2003**

(30) **Foreign Application Priority Data**

Aug. 26, 2002 (JP) ..... 2002-022656

(51) **LOC (7) Cl.** ..... **08-01**

(52) **U.S. Cl.** ..... **D8/8**

(58) **Field of Search** ..... D8/1, 8, 9; 30/276,  
30/216, 228

(56) **References Cited**

**U.S. PATENT DOCUMENTS**

D364,541 S \* 11/1995 McJunkin et al. .... D8/8  
D382,451 S \* 8/1997 Kikuchi ..... D8/8

D421,700 S \* 3/2000 Yamane et al. .... D8/8  
D463,229 S \* 9/2002 Gabriel ..... D8/8  
D473,116 S \* 4/2003 Jong ..... D8/8

\* cited by examiner

*Primary Examiner*—Robin V. Taylor

(74) *Attorney, Agent, or Firm*—Westerman, Hattori, Daniels, & Adrian, LLP

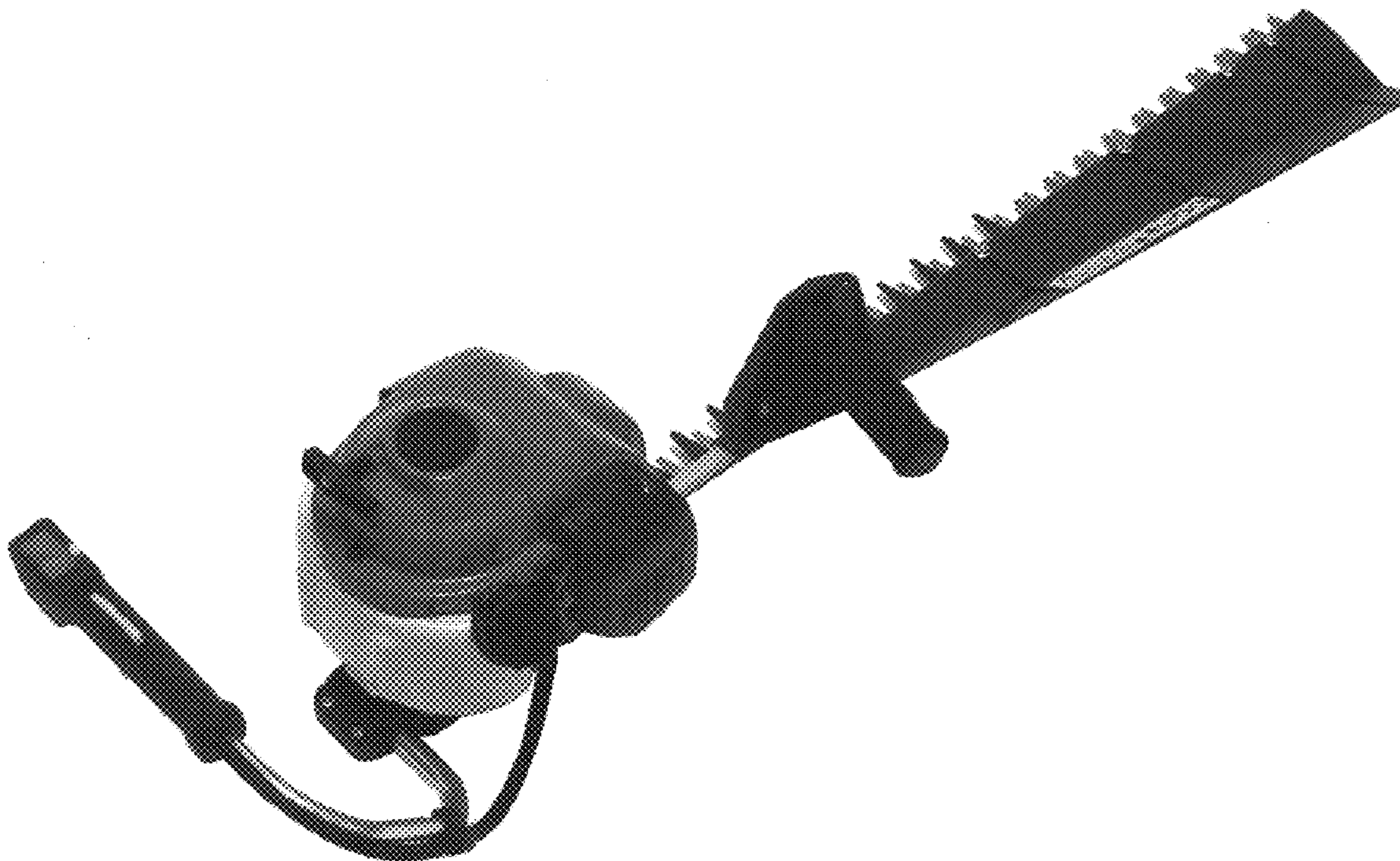
(57) **CLAIM**

The ornamental design for, hedge trimmer, as shown and described.

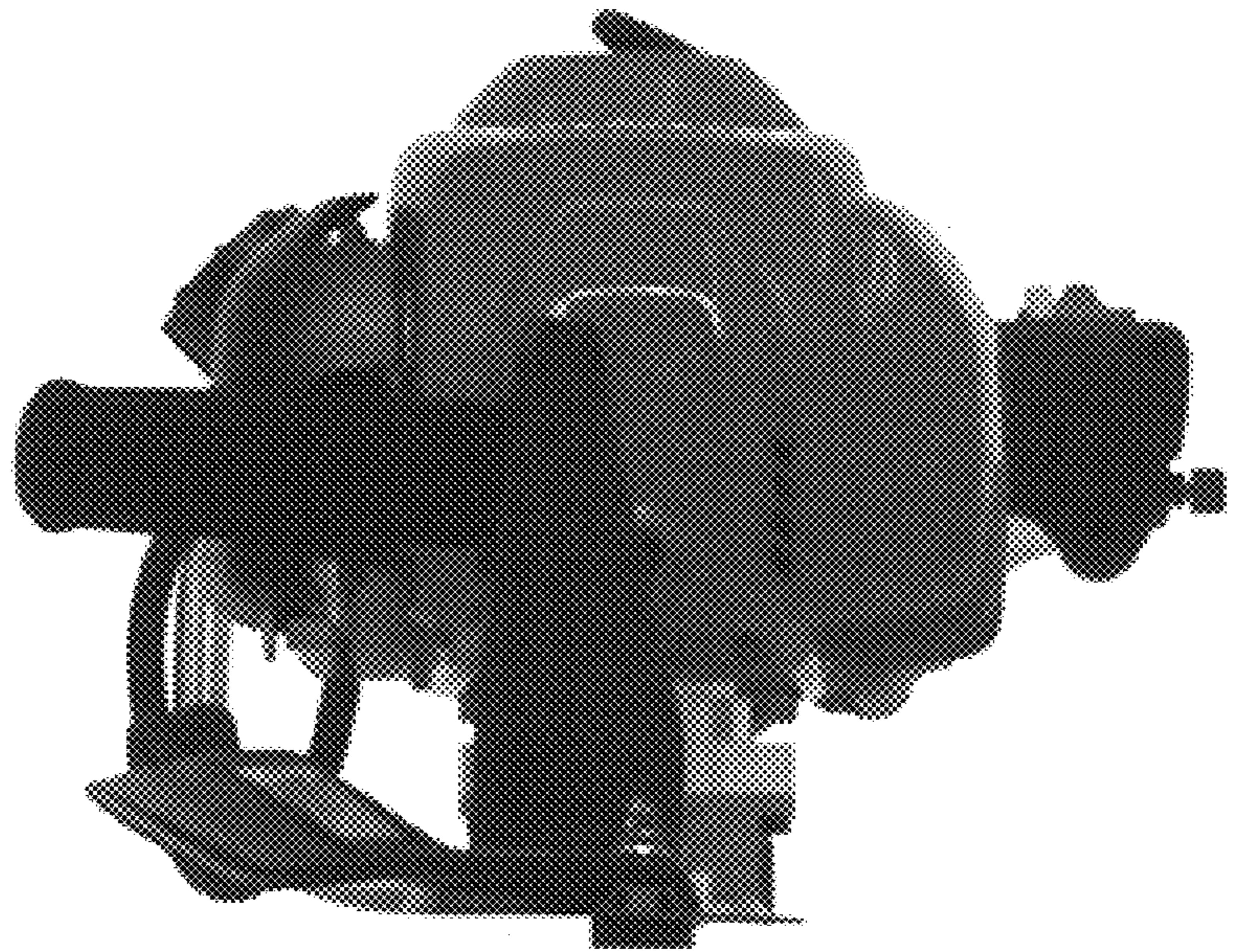
**DESCRIPTION**

FIG. 1 is a front elevation view of hedge trimmer, showing our new design;  
FIG. 2 is a rear elevation view thereof;  
FIG. 3 is a top plan view thereof;  
FIG. 4 is a right side elevation view thereof;  
FIG. 5 is a left side elevation view thereof;  
FIG. 6 is a front right of perspective view thereof;  
FIG. 7 is a rear right of perspective view thereof; and,  
FIG. 8 is a rear left of perspective view thereof.

**1 Claim, 8 Drawing Sheets**

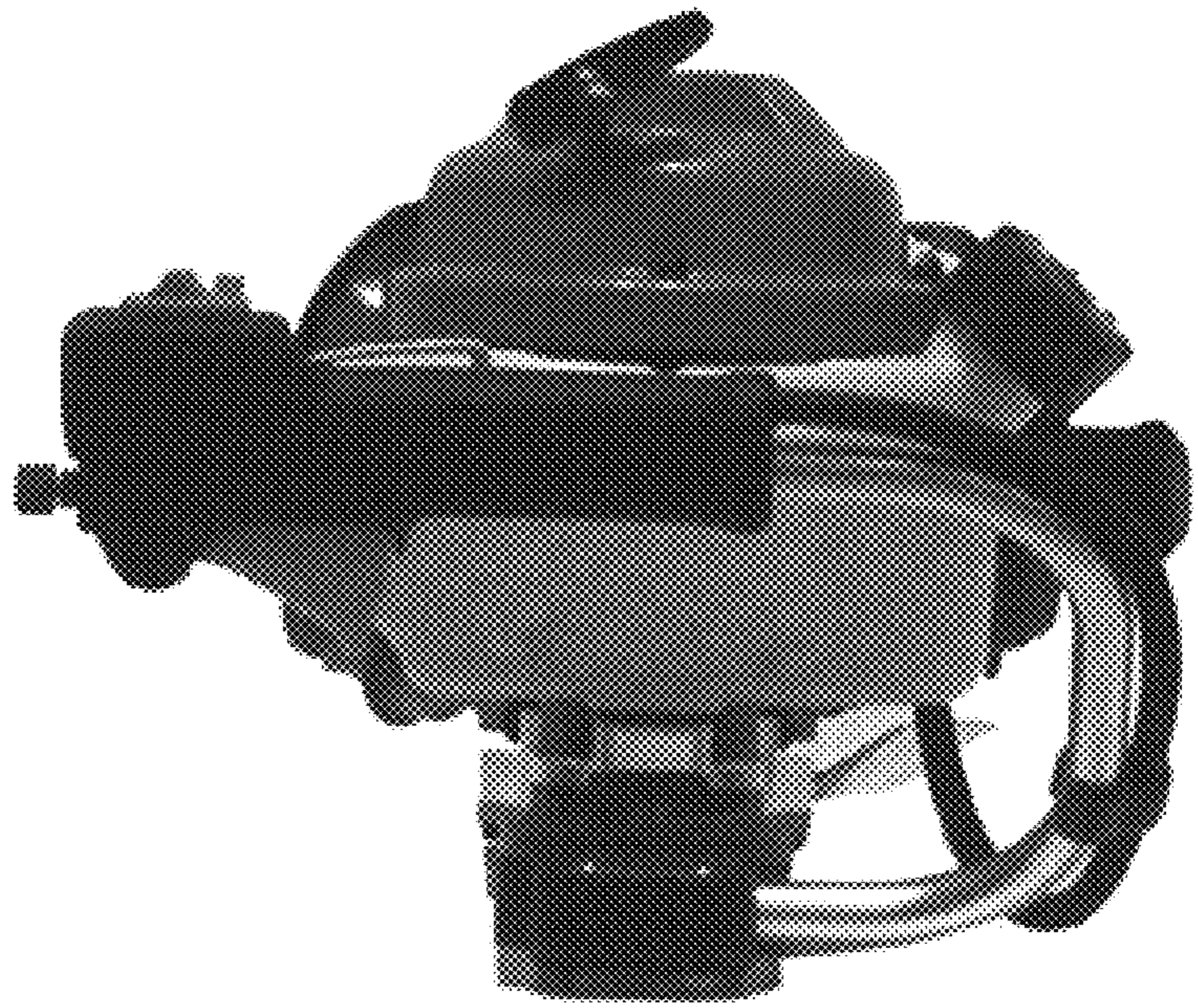


**FIG. 1**





**FIG. 2**



**FIG. 3**

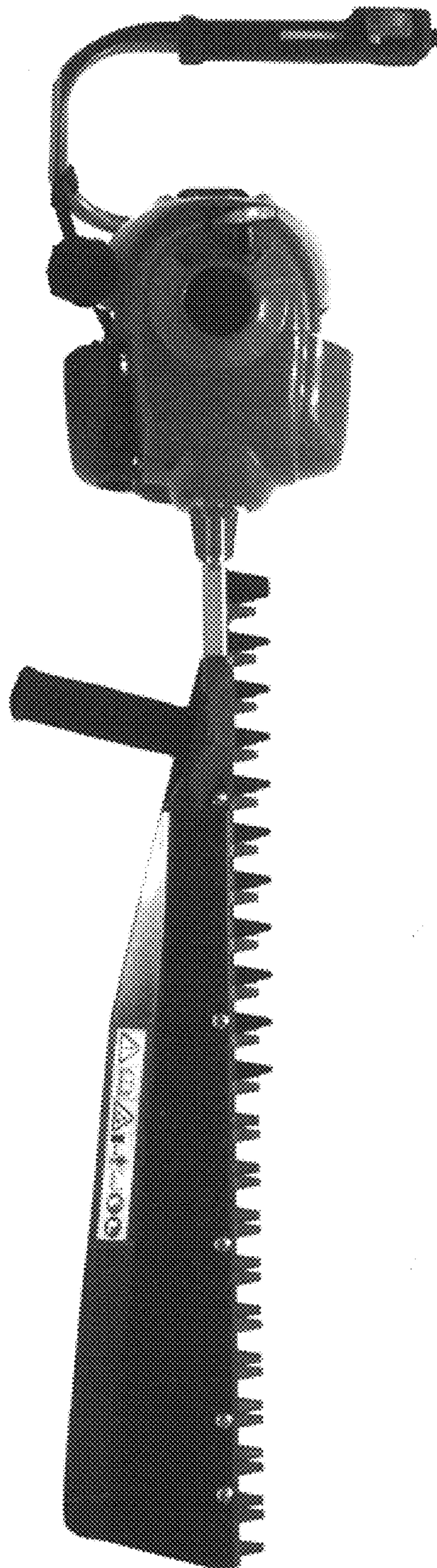


FIG. 4

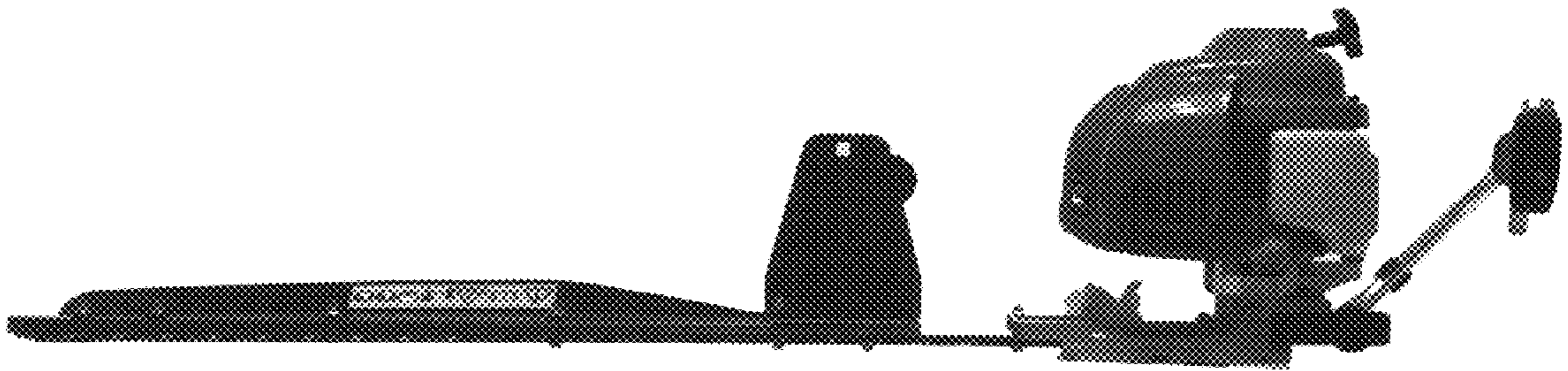




FIG. 5

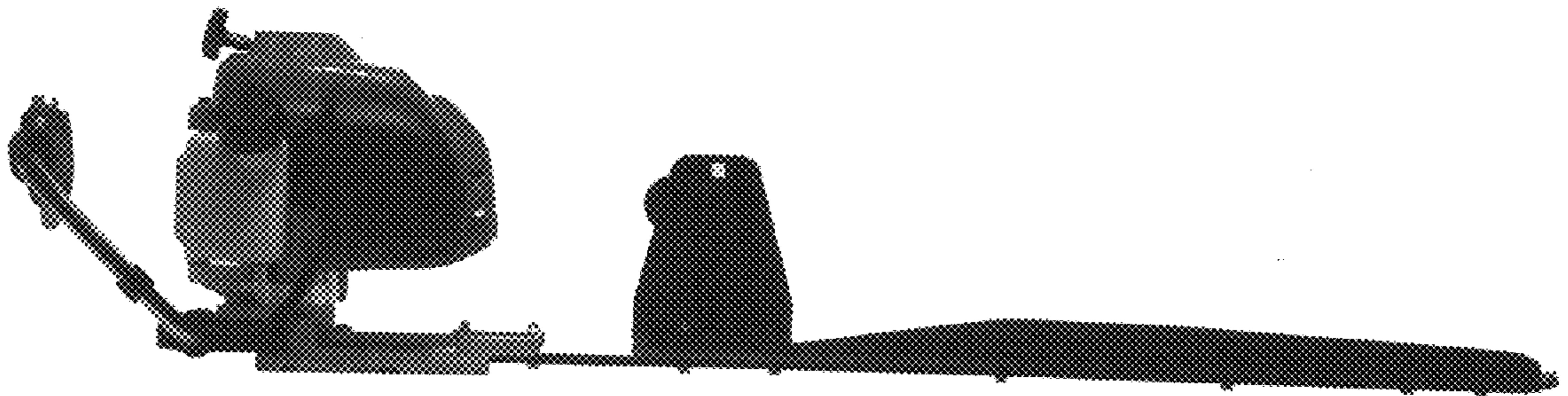


FIG. 6



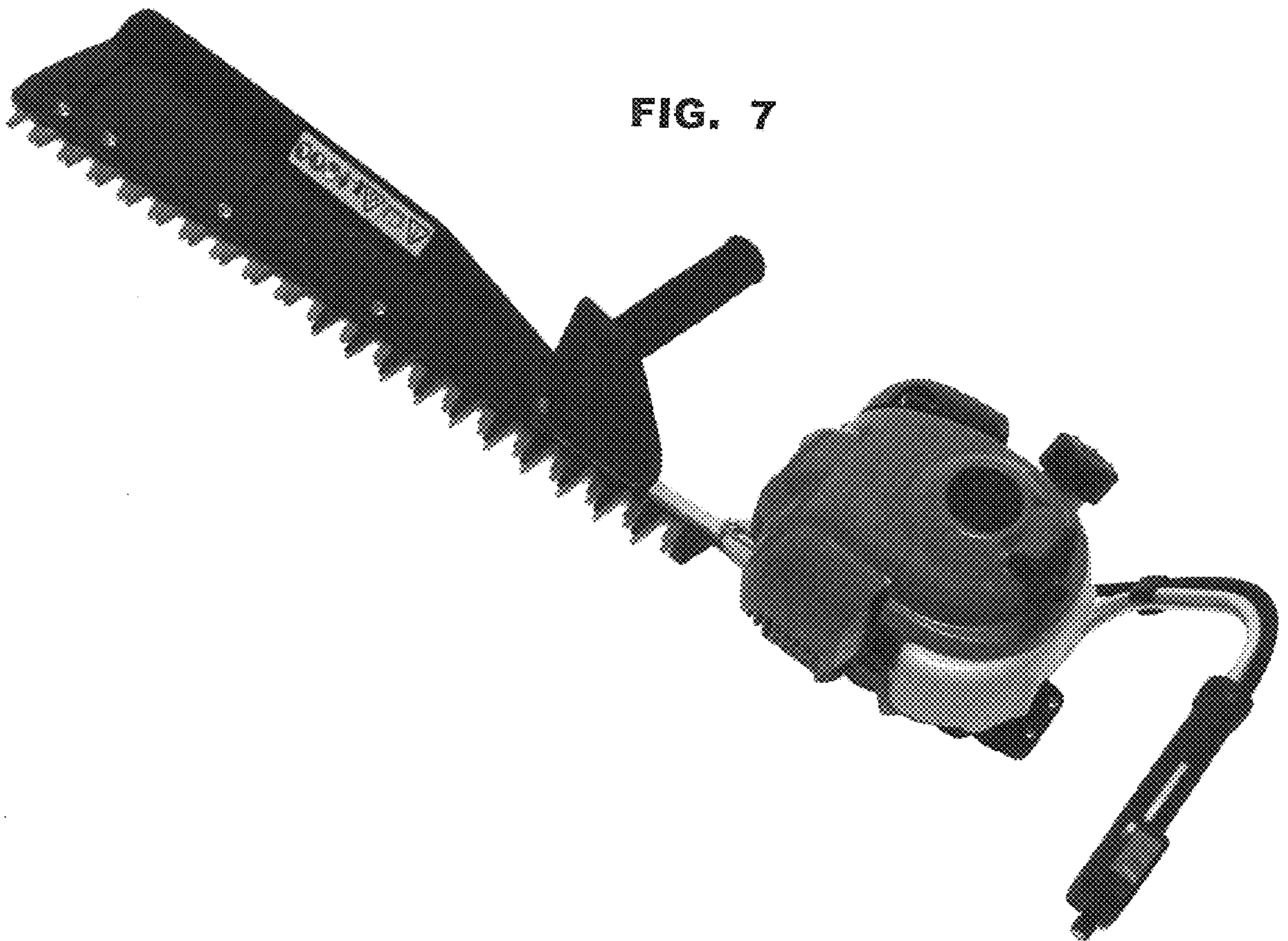


FIG. 7



FIG. 8

