



US00D488684S

(12) **United States Design Patent**
Zudal

(10) **Patent No.:** **US D488,684 S**

(45) **Date of Patent:** **** Apr. 20, 2004**

(54) **HEART SHAPED GLASS HOLDER**

(76) Inventor: **Andrew Zudal**, 4140 Mount Olney La.,
Olney, MD (US) 20832

(**) Term: **14 Years**

(21) Appl. No.: **29/179,744**

(22) Filed: **Apr. 15, 2003**

Related U.S. Application Data

(63) Continuation-in-part of application No. 29/161,560, filed on
Jun. 3, 2002, now Pat. No. Des. 476,865.

(51) **LOC (7) Cl.** **07-99**

(52) **U.S. Cl.** **D7/702**

(58) **Field of Search** D7/701, 702, 707,
D7/708, 619.2, 550.1, 555.1, 554.1, 571;
D21/386; D11/44, 48, 56; 211/70.1, 74,
75; 248/309.1, 311.2, 346.11

(56) **References Cited**

U.S. PATENT DOCUMENTS

D105,687 S * 8/1937 Bode D7/702
3,375,615 A * 4/1968 Ricker D7/701
D263,784 S * 4/1982 Butler et al. D7/708

5,443,270 A * 8/1995 Loritz 40/27.5
D369,836 S * 5/1996 Mazzio D21/386
6,151,823 A * 11/2000 Gregory-Gillman 40/661

* cited by examiner

Primary Examiner—Terry A. Wallace
(74) *Attorney, Agent, or Firm*—Snider & Associates;
Ronald R. Snider

(57) **CLAIM**

The ornamental design for a heart shaped glass holder, as
shown and described.

DESCRIPTION

FIG. 1 is a perspective view of a heart shaped tray having
two through holes.

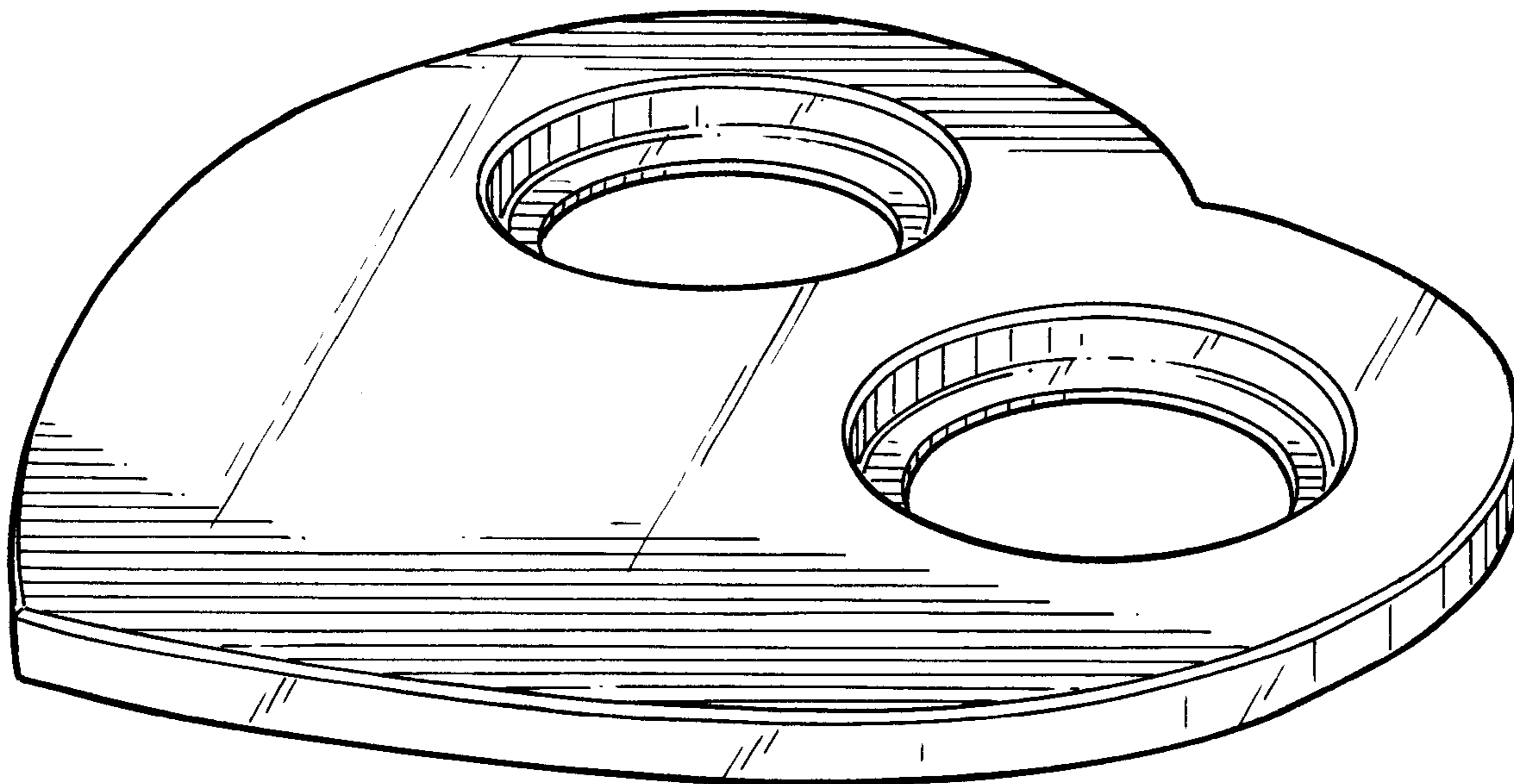
FIG. 2 is an exploded perspective view of the heart shaped
tray and two glasses.

FIG. 3 is a side view of the tray and a glass.

FIG. 4 is a top view of the tray and two glasses; and,
FIG. 5 is a bottom view of the tray.

The broken lines showing the glasses, table and pegs in
FIGS. 2–5 are for illustrative purposes only and form no part
of the claimed design.

1 Claim, 4 Drawing Sheets



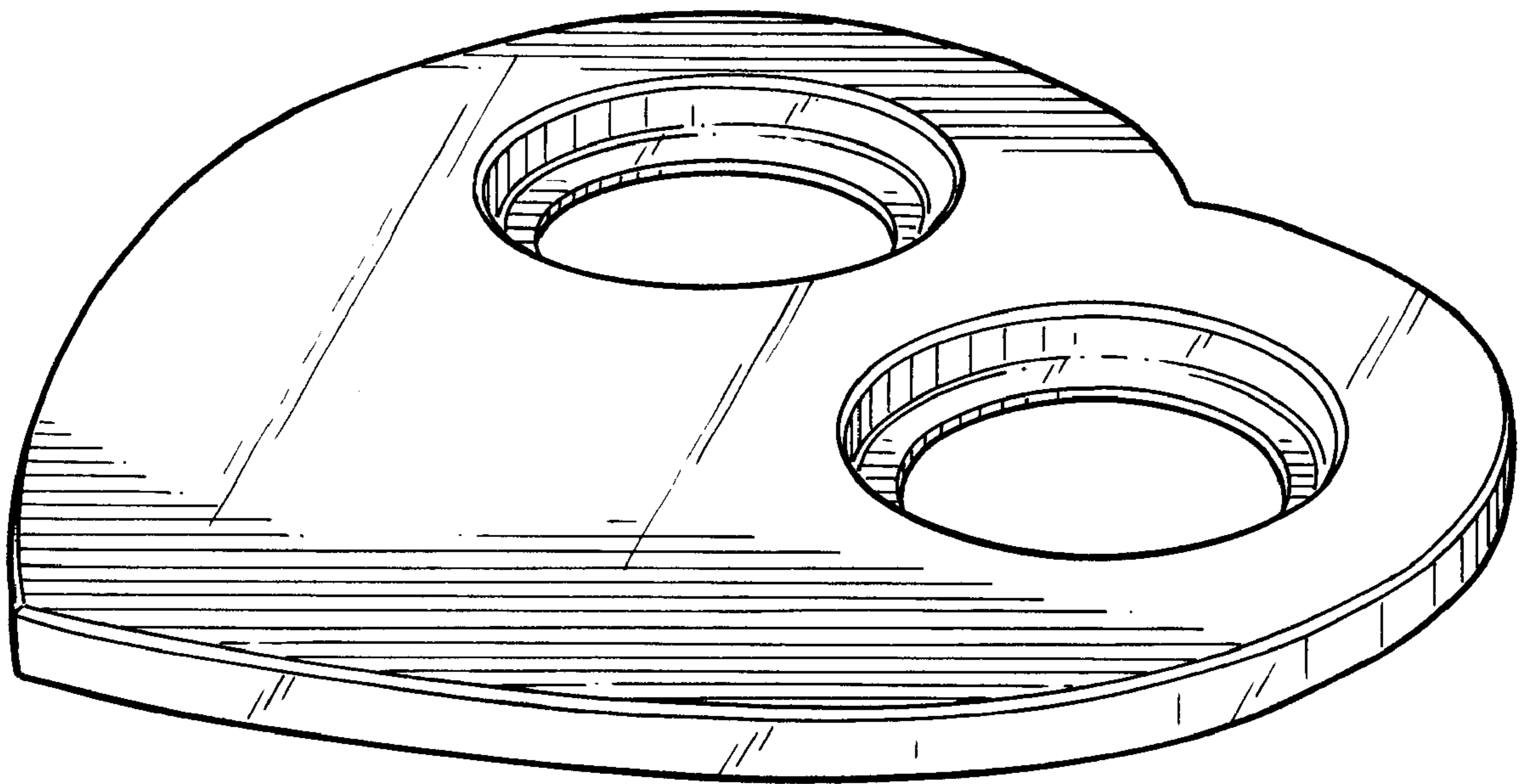


FIG. 1

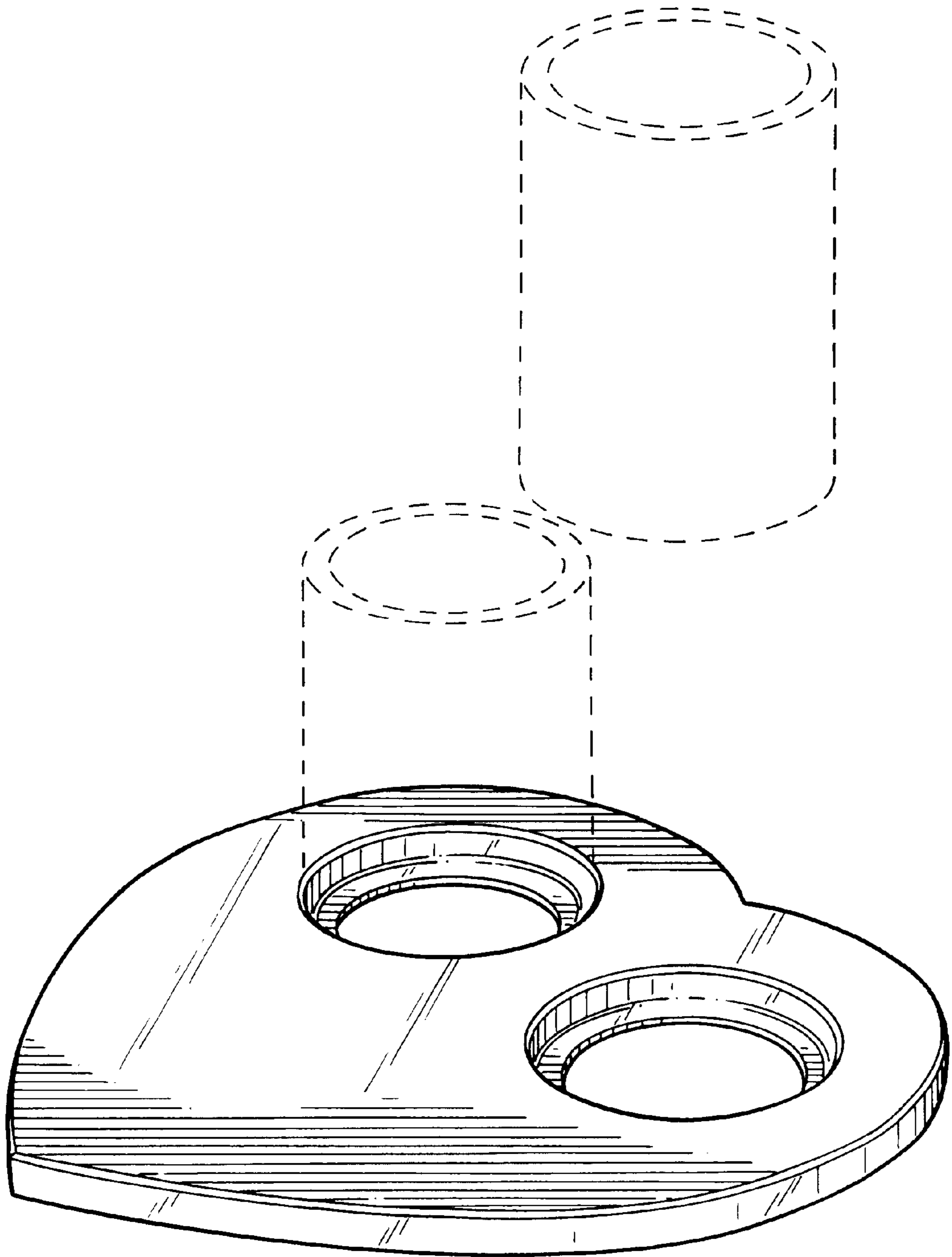


FIG. 2

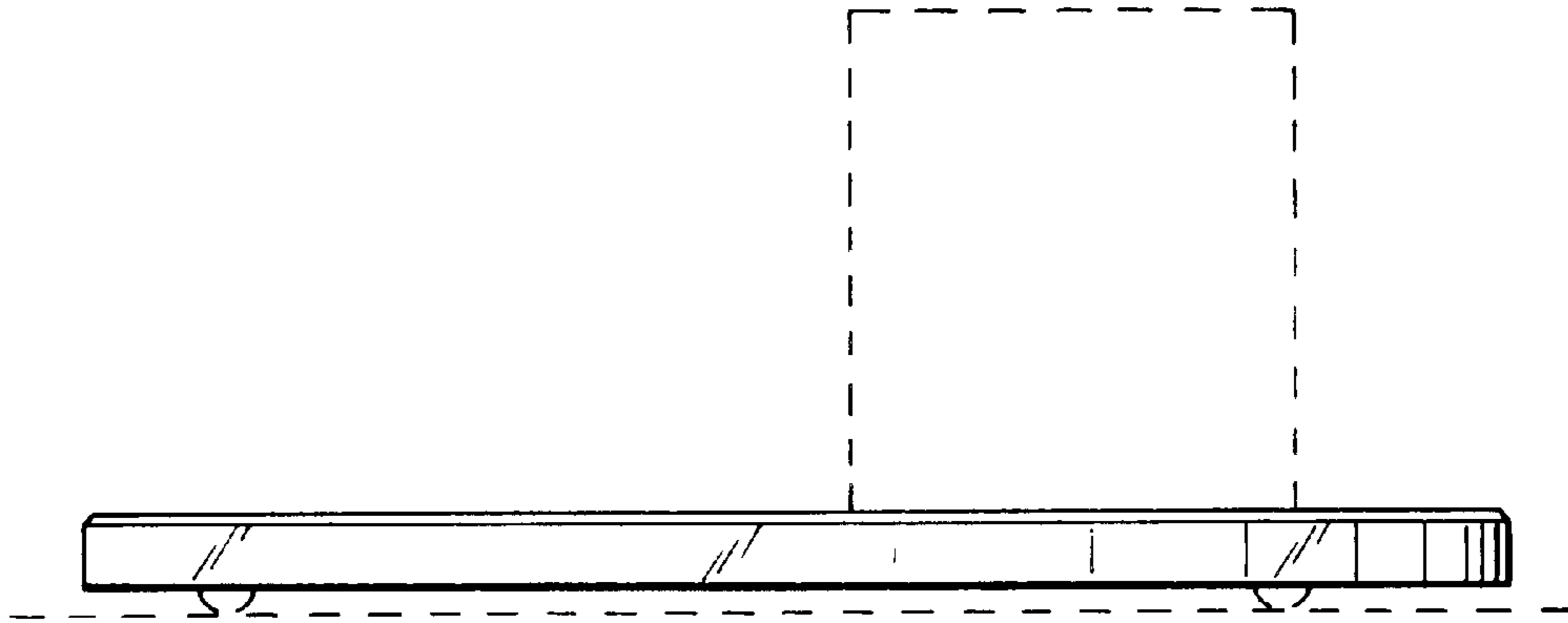


FIG. 3

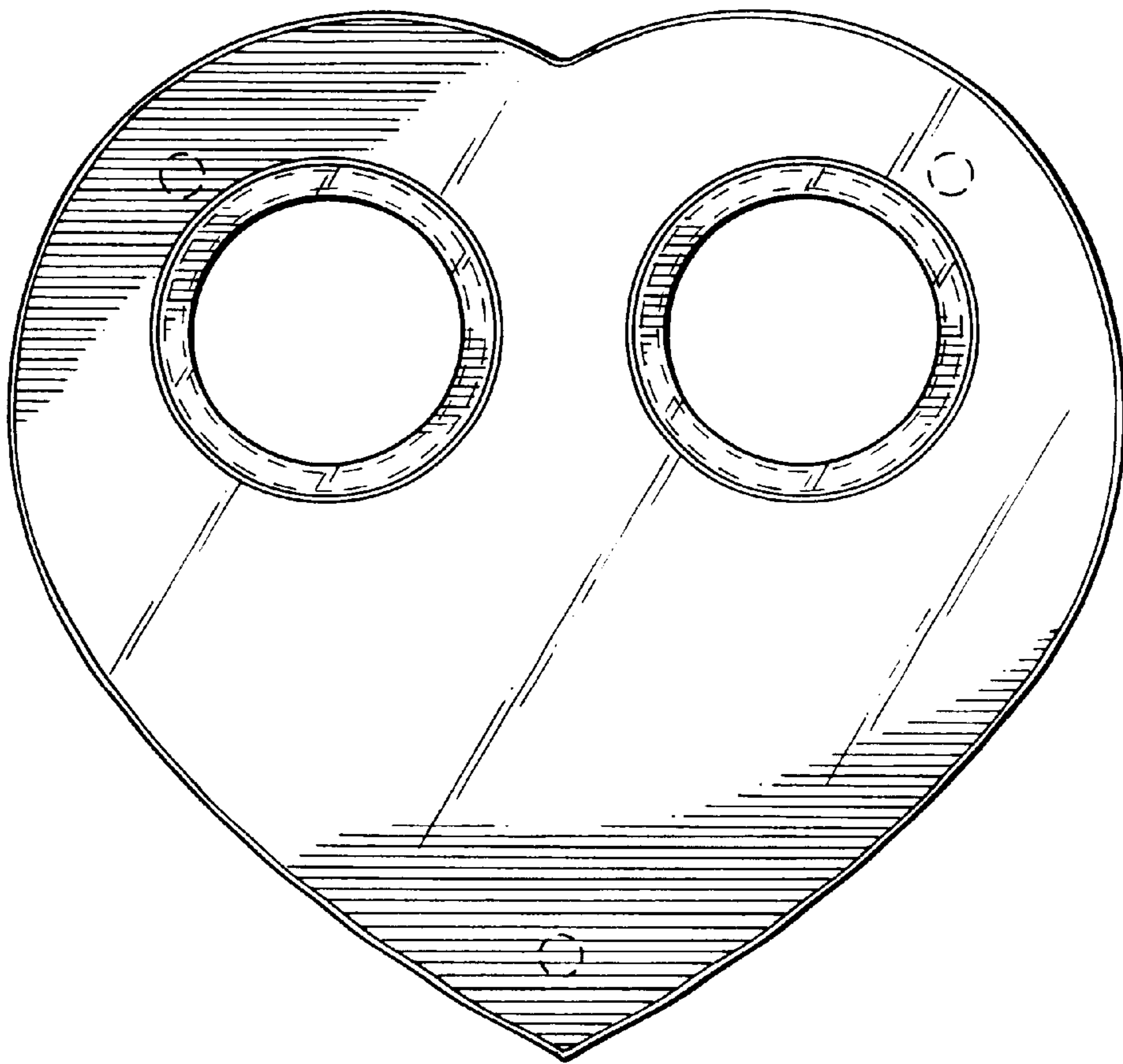


FIG. 4

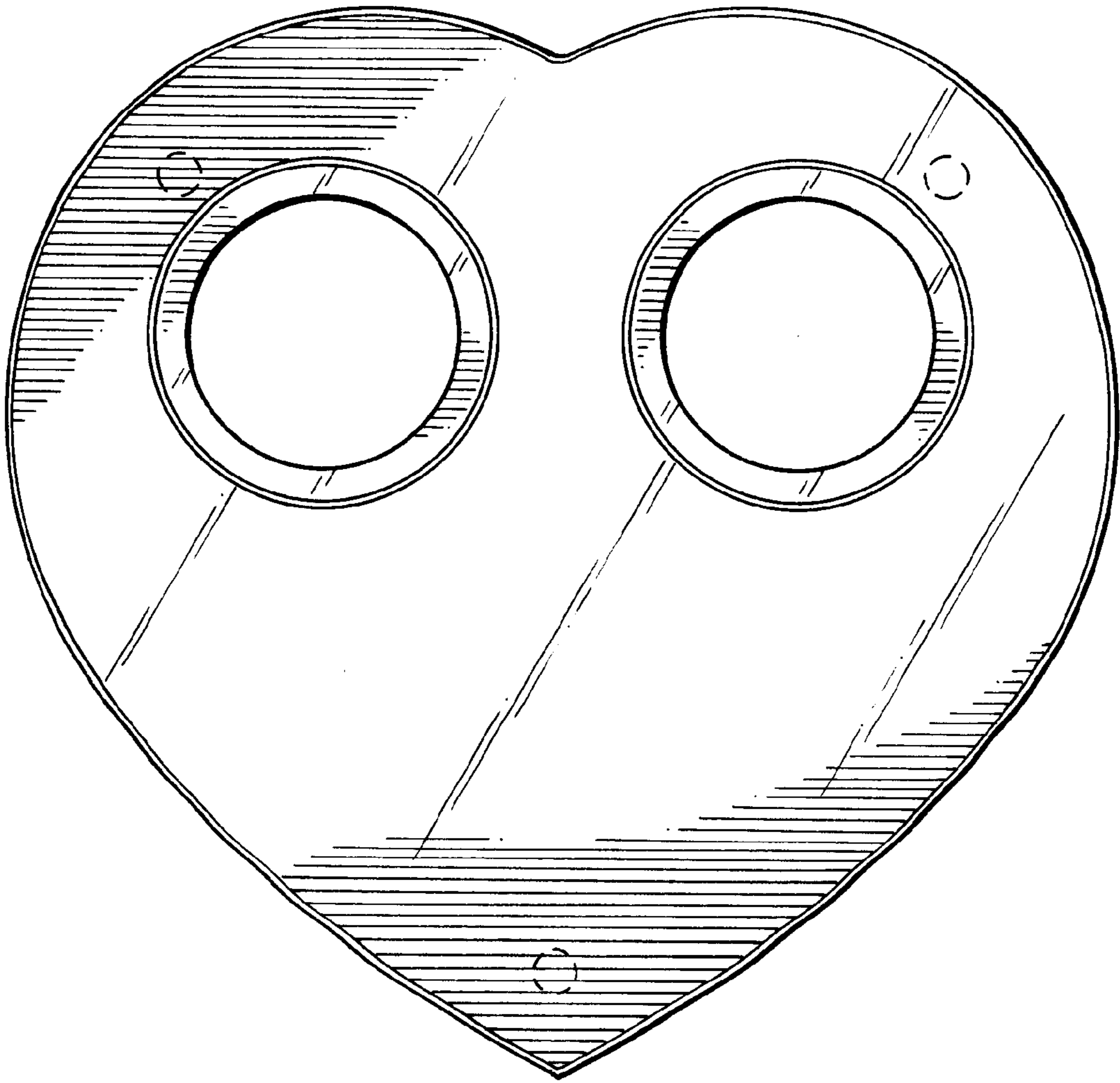


FIG. 5