



US00D488682S

(12) **United States Design Patent**
Bertke et al.

(10) **Patent No.: US D488,682 S**

(45) **Date of Patent: ** *Apr. 20, 2004**

(54) **PIZZA KNIFE**
(75) Inventors: **Patrick J. Bertke**, Columbus, OH
(US); **Christopher L. Hawker**,
Columbus, OH (US)

D241,603 S 9/1976 MacNeil D7/691
D383,267 S 9/1997 Emmerth D32/46
D394,371 S 5/1998 Cousins D7/691
D472,112 S 3/2003 Bertke D7/691

OTHER PUBLICATIONS

(73) Assignee: **Trident Design, LLC**, Columbus, OH
(US)

Colonial Garden Kitchens, Mar. 1992, p. 18, Dough Scraper
(B).*

(* Notice: This patent is subject to a terminal dis-
claimer.

* cited by examiner

(**) Term: **14 Years**

Primary Examiner—Terry A. Wallace
(74) *Attorney, Agent, or Firm*—James R. Eley; Michael A.
Forhan; Thompson Hine LLP

(21) Appl. No.: **29/182,379**

(57) **CLAIM**

(22) Filed: **May 22, 2003**

The ornamental design for a pizza knife, as shown and
described.

(51) **LOC (7) Cl.** **07-04**

(52) **U.S. Cl.** **D7/693**

(58) **Field of Search** D7/688, 691–693;
D8/14, 16, 19, 20, 47, 88; D32/46; 15/143.1,
236.01; 30/169, 314; 294/27.1

DESCRIPTION

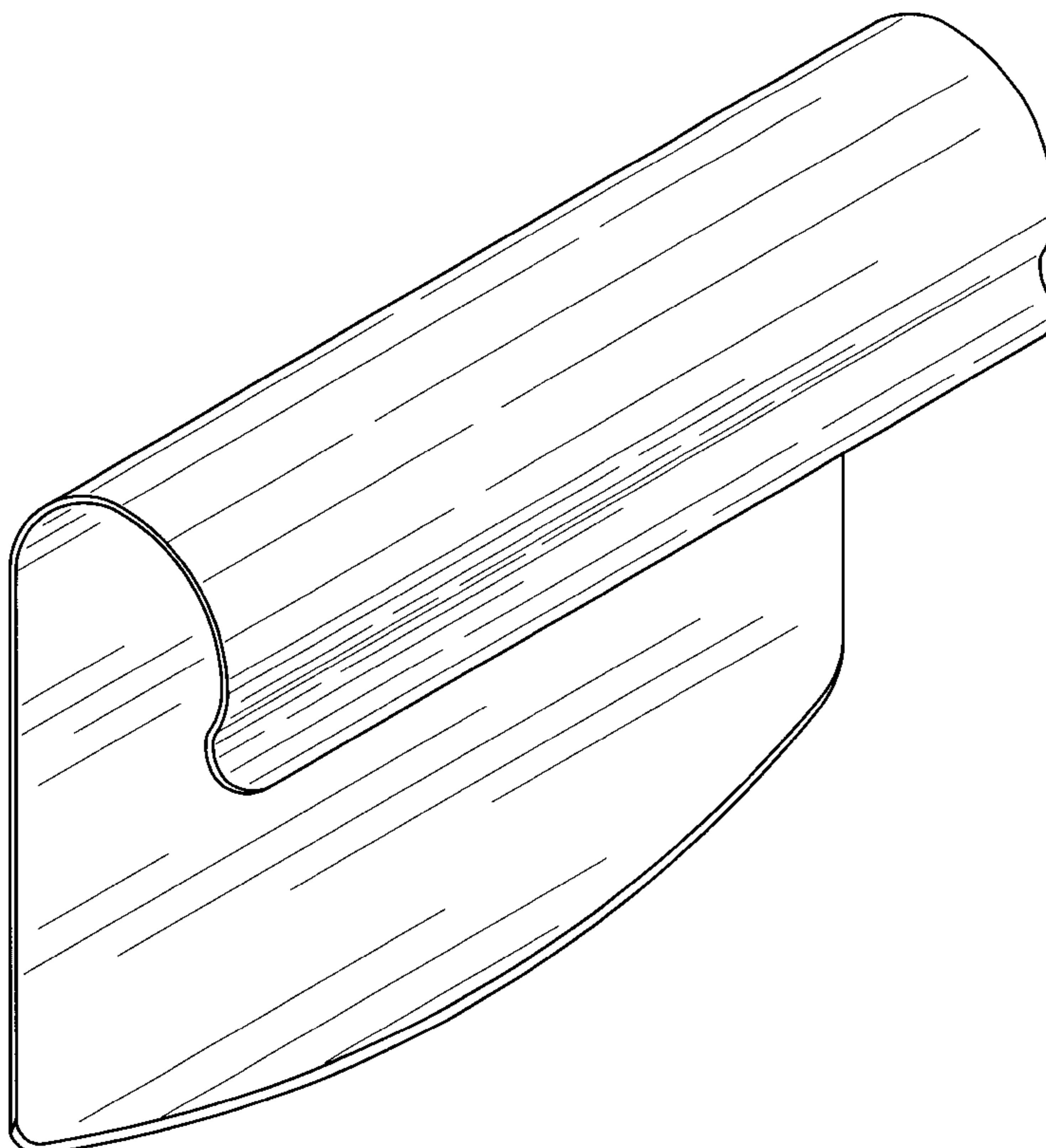
FIG. 1 is a perspective view of a pizza knife showing our
new design;
FIG. 2 is a rear elevational view thereof;
FIG. 3 is a right side elevational view thereof;
FIG. 4 is a left side elevational view thereof;
FIG. 5 is a front elevational view thereof;
FIG. 6 is a top plan view thereof; and,
FIG. 7 is a bottom plan view thereof.

(56) **References Cited**

U.S. PATENT DOCUMENTS

D23,068 S 2/1894 Leggett D32/46
1,872,887 A 8/1932 Casse 30/169
2,501,588 A 3/1950 Somers D7/691 X
3,365,227 A 1/1968 Wildgen 294/27.1
D224,603 S 8/1972 Wetzel D32/46

1 Claim, 3 Drawing Sheets



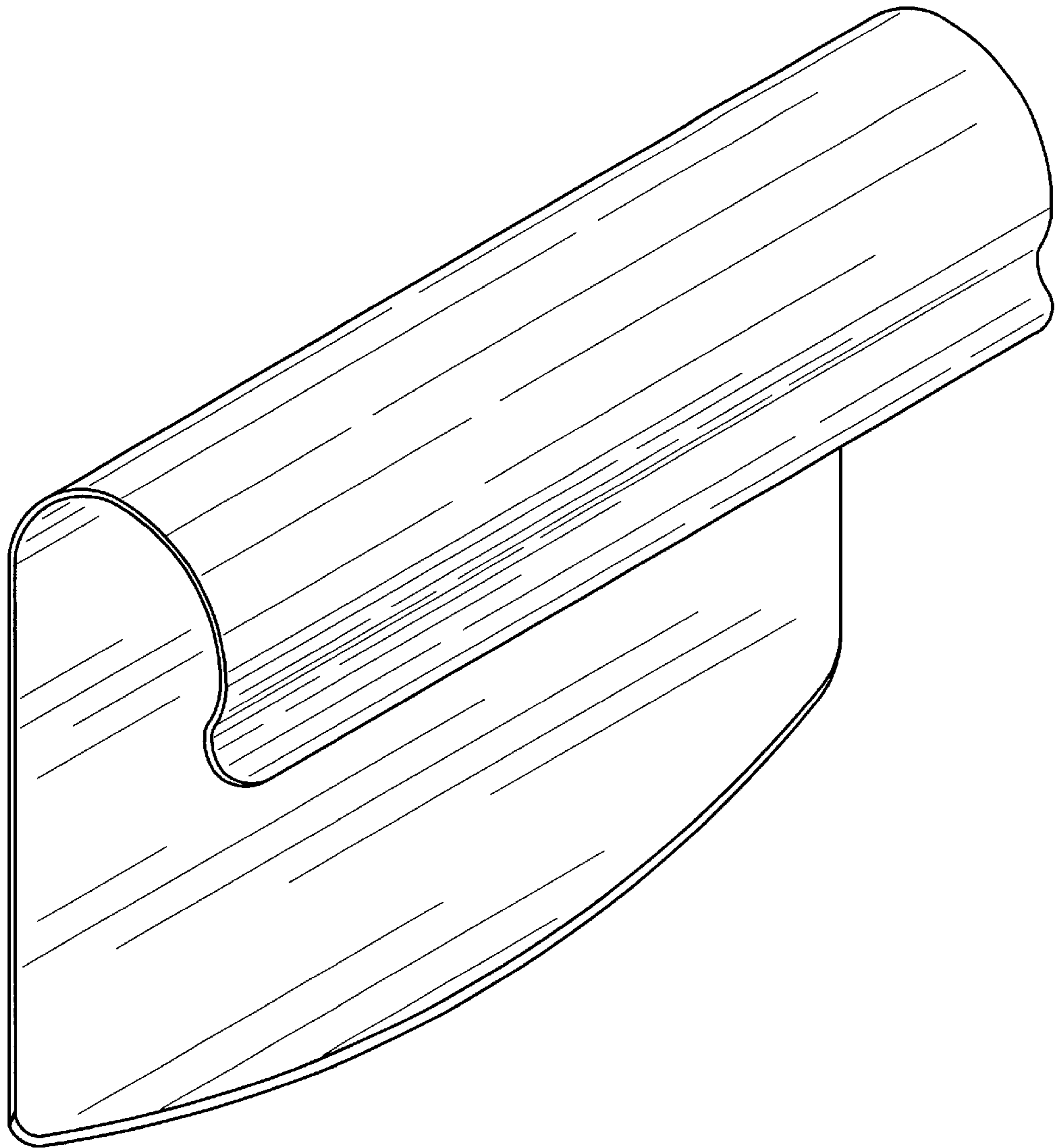


Fig. 1

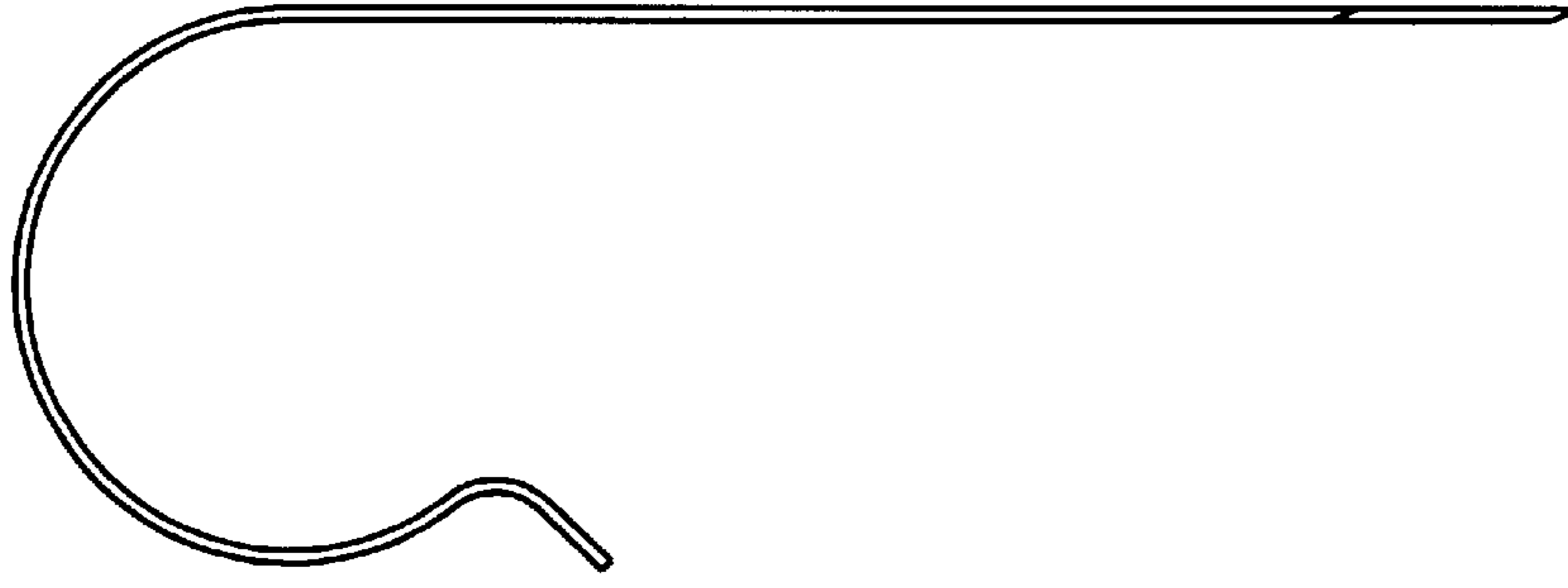


Fig. 4

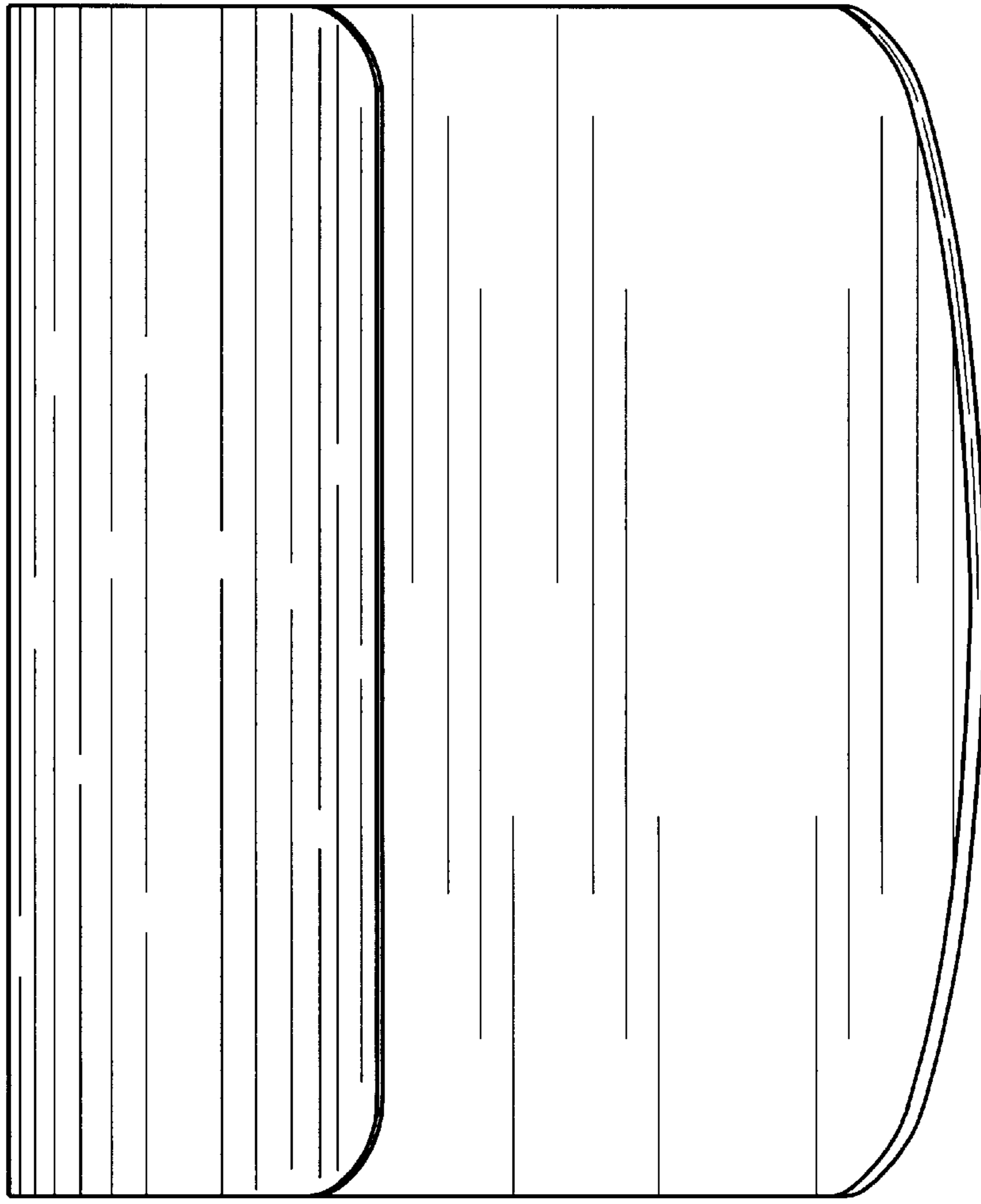


Fig. 2

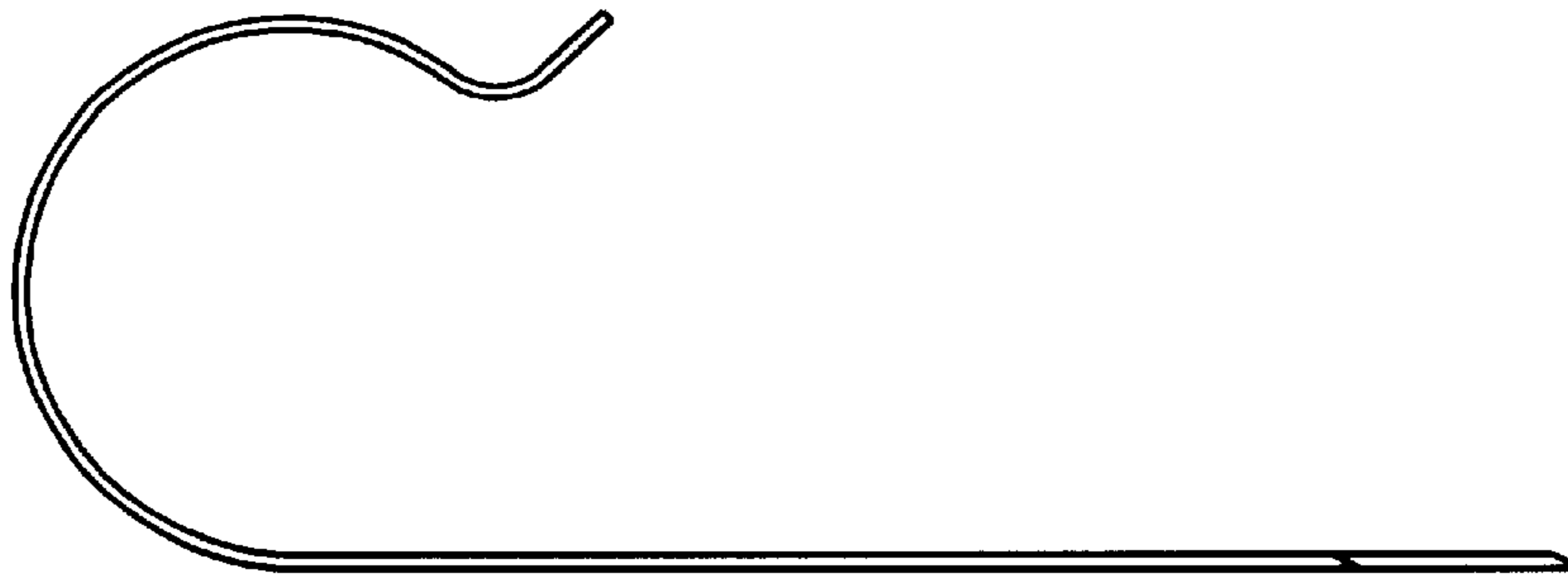


Fig. 3

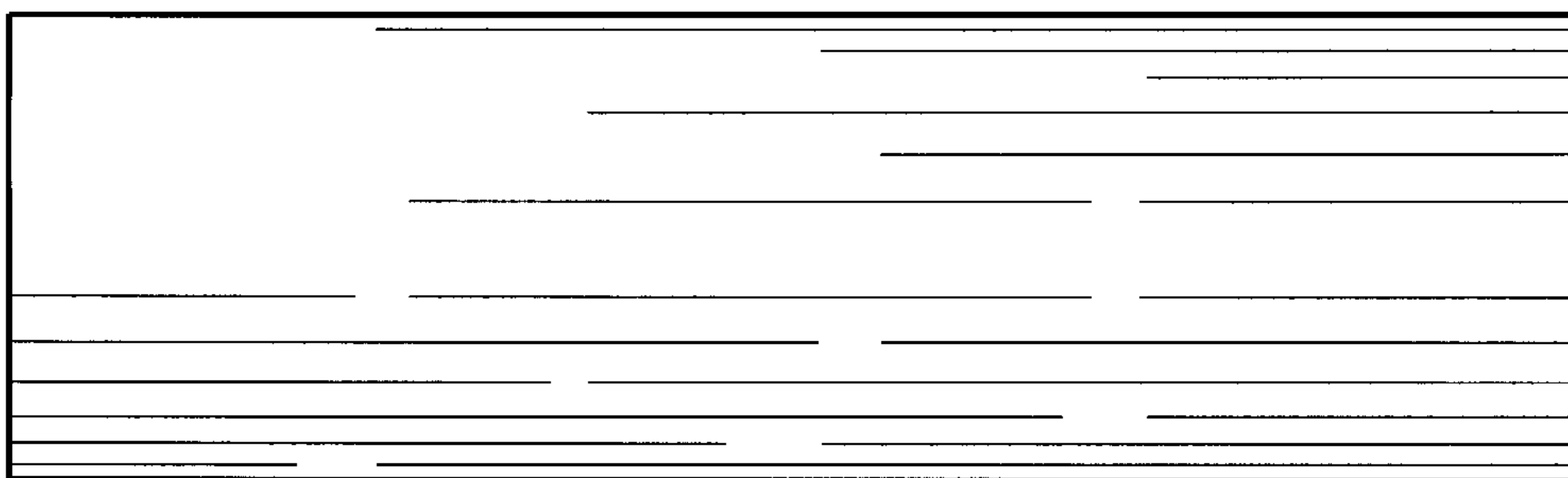


Fig. 6

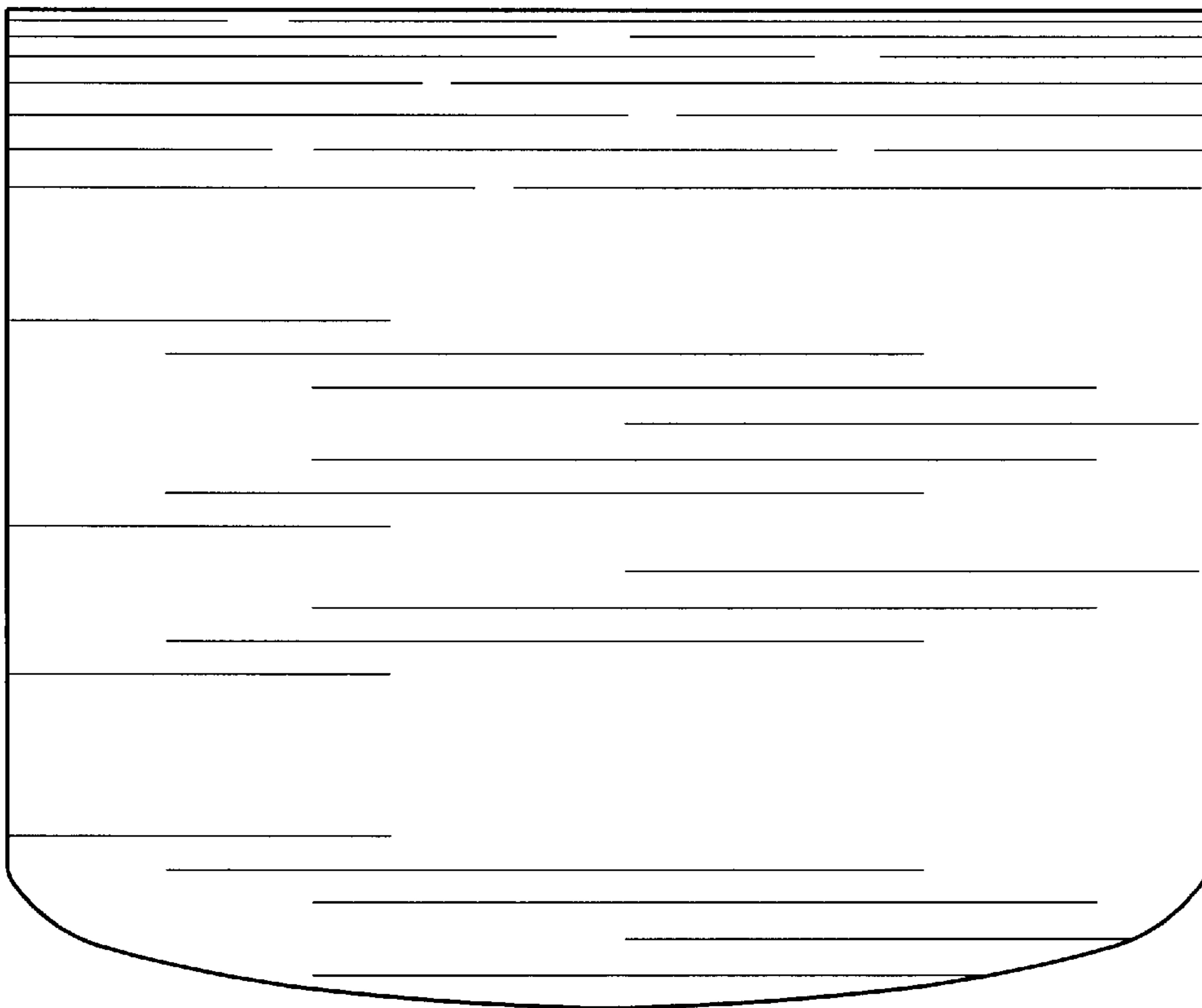


Fig. 5

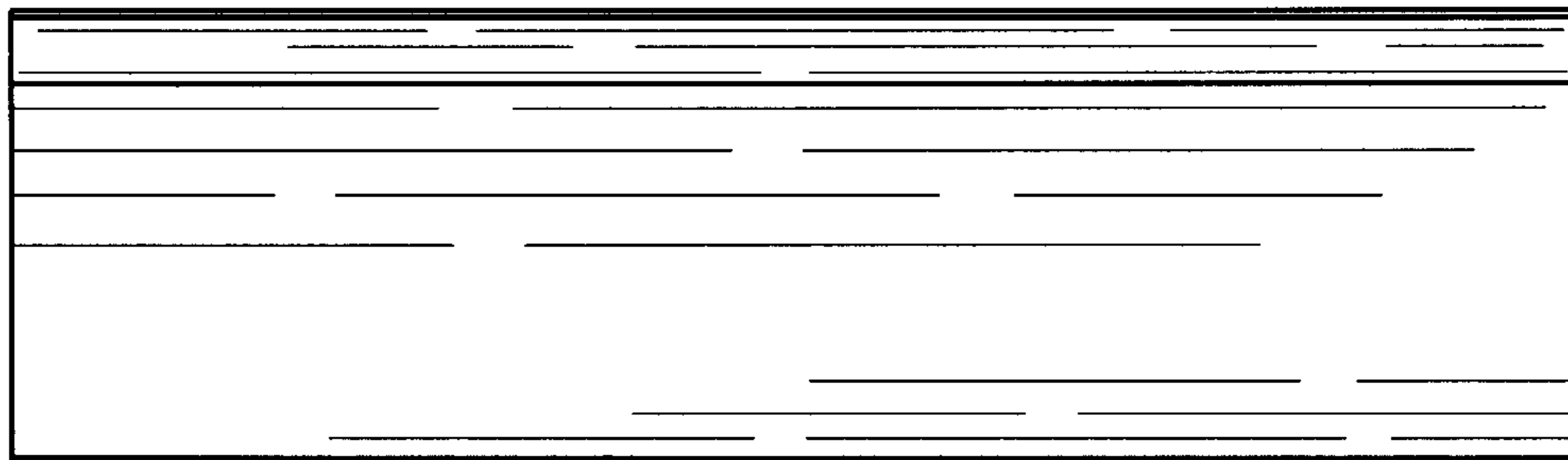


Fig. 7