



US00D488678S

(12) **United States Design Patent**
Berthier

(10) **Patent No.:** **US D488,678 S**

(45) **Date of Patent:** **** Apr. 20, 2004**

(54) **JUICER**

(75) Inventor: **Marc Berthier**, Paris (FR)

(73) Assignee: **SEB**, Selongey (FR)

(**) Term: **14 Years**

(21) Appl. No.: **29/178,735**

(22) Filed: **Apr. 1, 2003**

(30) **Foreign Application Priority Data**

Oct. 4, 2002 (FR) 02 6050

(51) **LOC (7) Cl.** **31-00**

(52) **U.S. Cl.** **D7/665**

(58) **Field of Search** D7/665, 666, 372-374,
D7/381, 384; 99/495, 499, 501-508, 509-513

(56) **References Cited**

U.S. PATENT DOCUMENTS

6,302,014 B1 * 10/2001 Kuan 99/510

* cited by examiner

Primary Examiner—Terry A. Wallace

(74) *Attorney, Agent, or Firm*—Browdy and Neimark,
P.L.L.C.

(57) **CLAIM**

The ornamental design for a juicer, as shown.

DESCRIPTION

FIG. 1 is a front elevational view of a juicer in accordance with the present design;

FIG. 2 is a rear elevational view thereof;

FIG. 3 is a left side elevational view thereof;

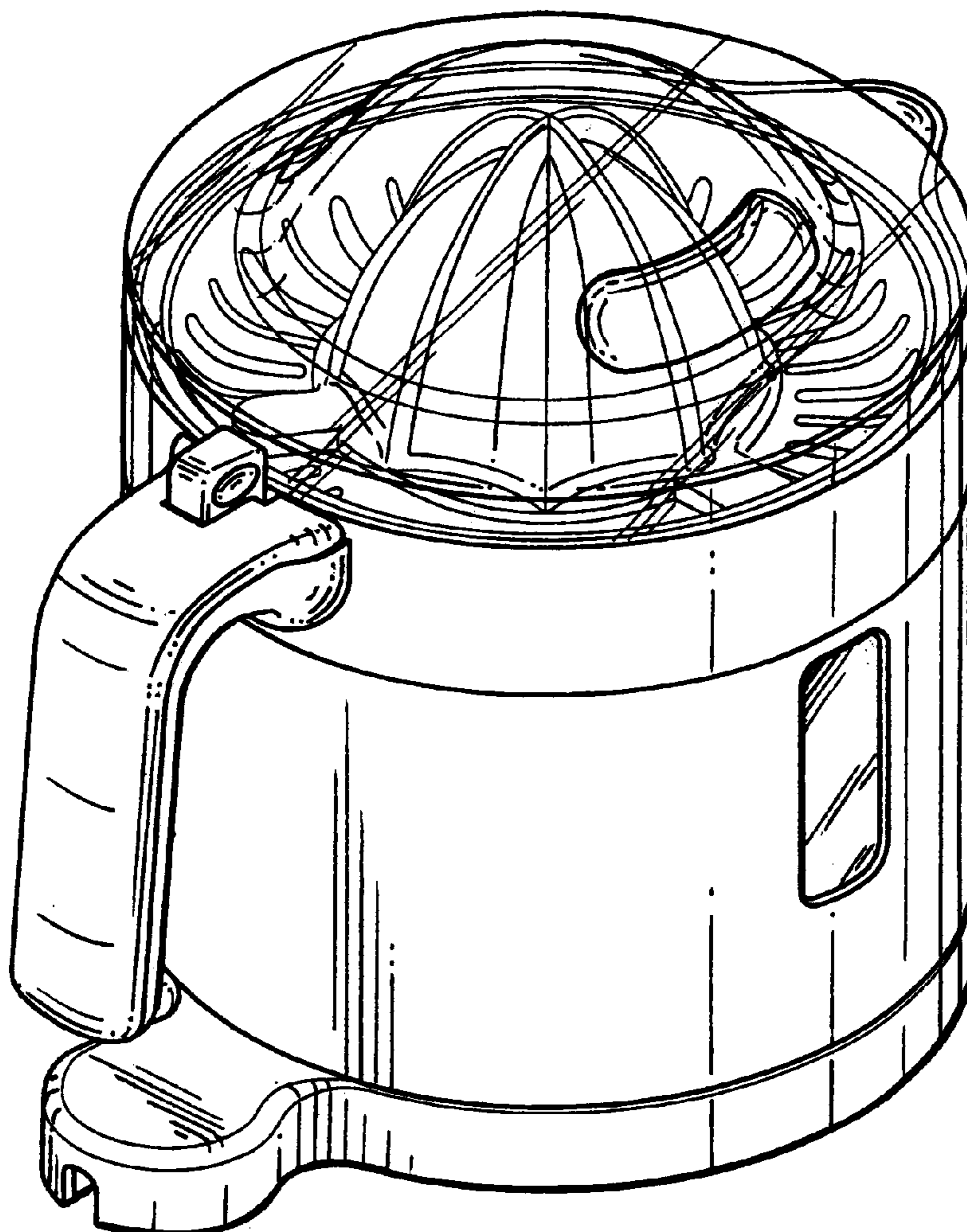
FIG. 4 is a right side elevational view thereof;

FIG. 5 is a top plan view thereof;

FIG. 6 is a bottom plan view thereof; and,

FIG. 7 is a perspective view thereof.

1 Claim, 7 Drawing Sheets



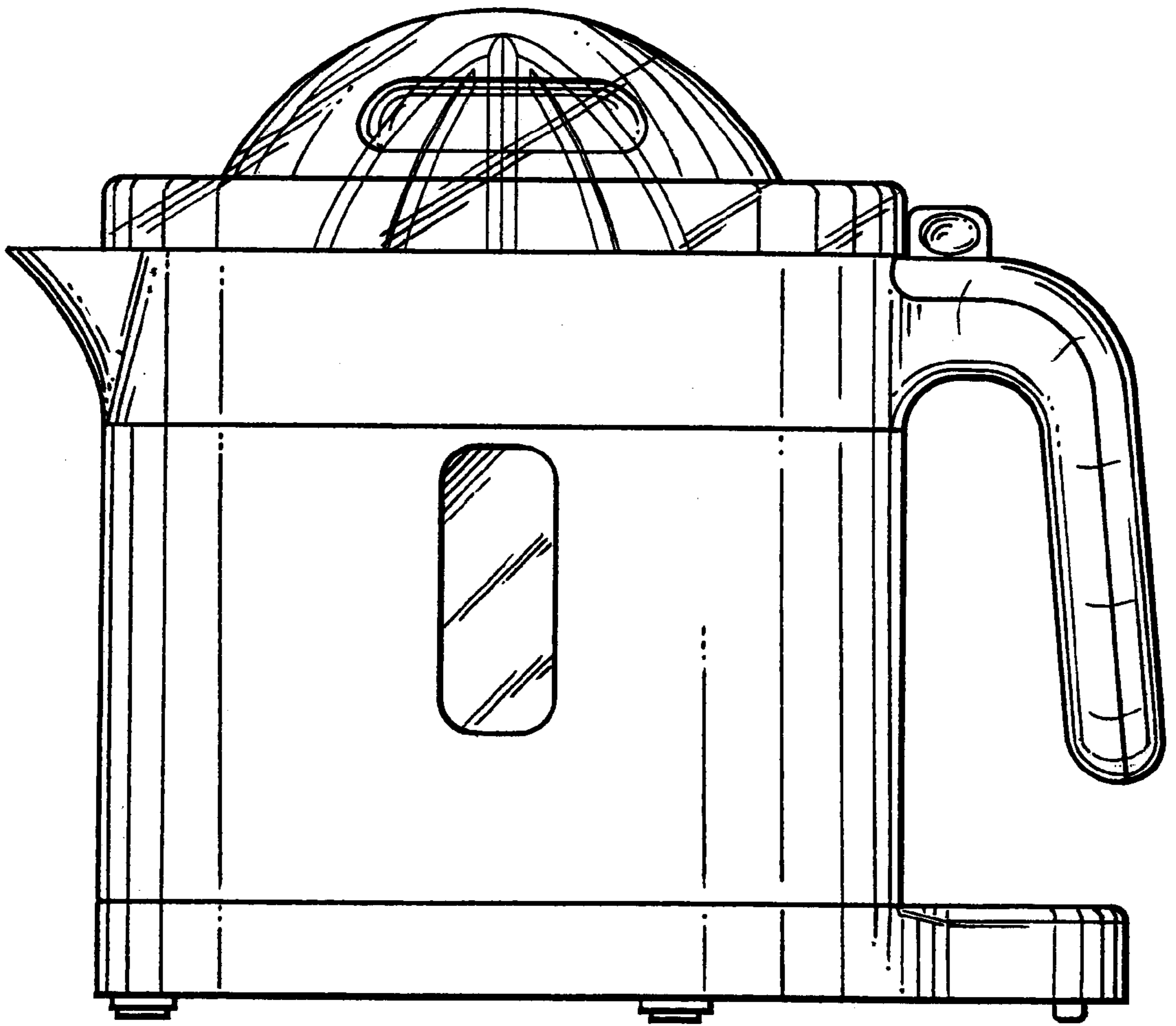


FIG. 1

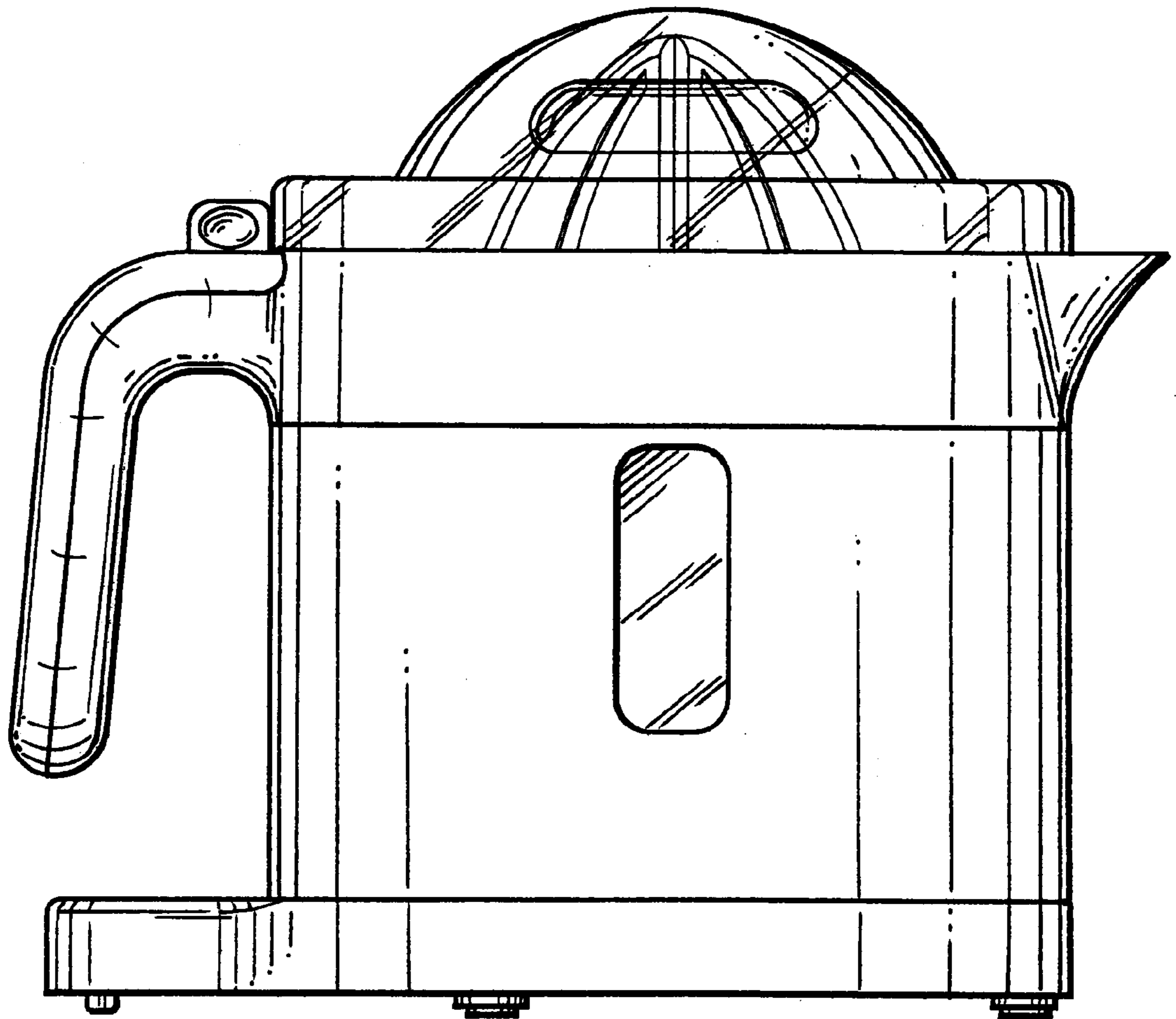


FIG. 2

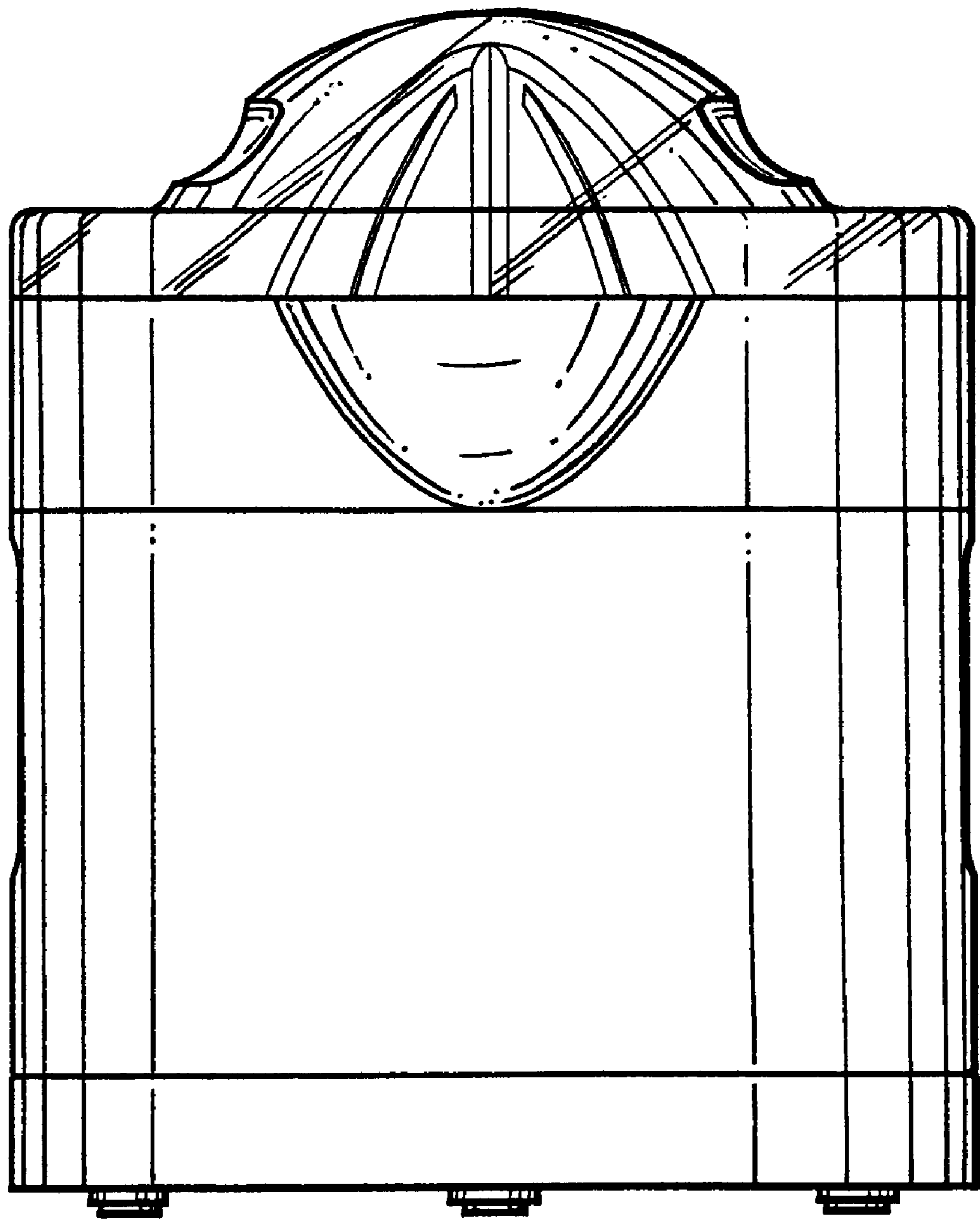


FIG. 3

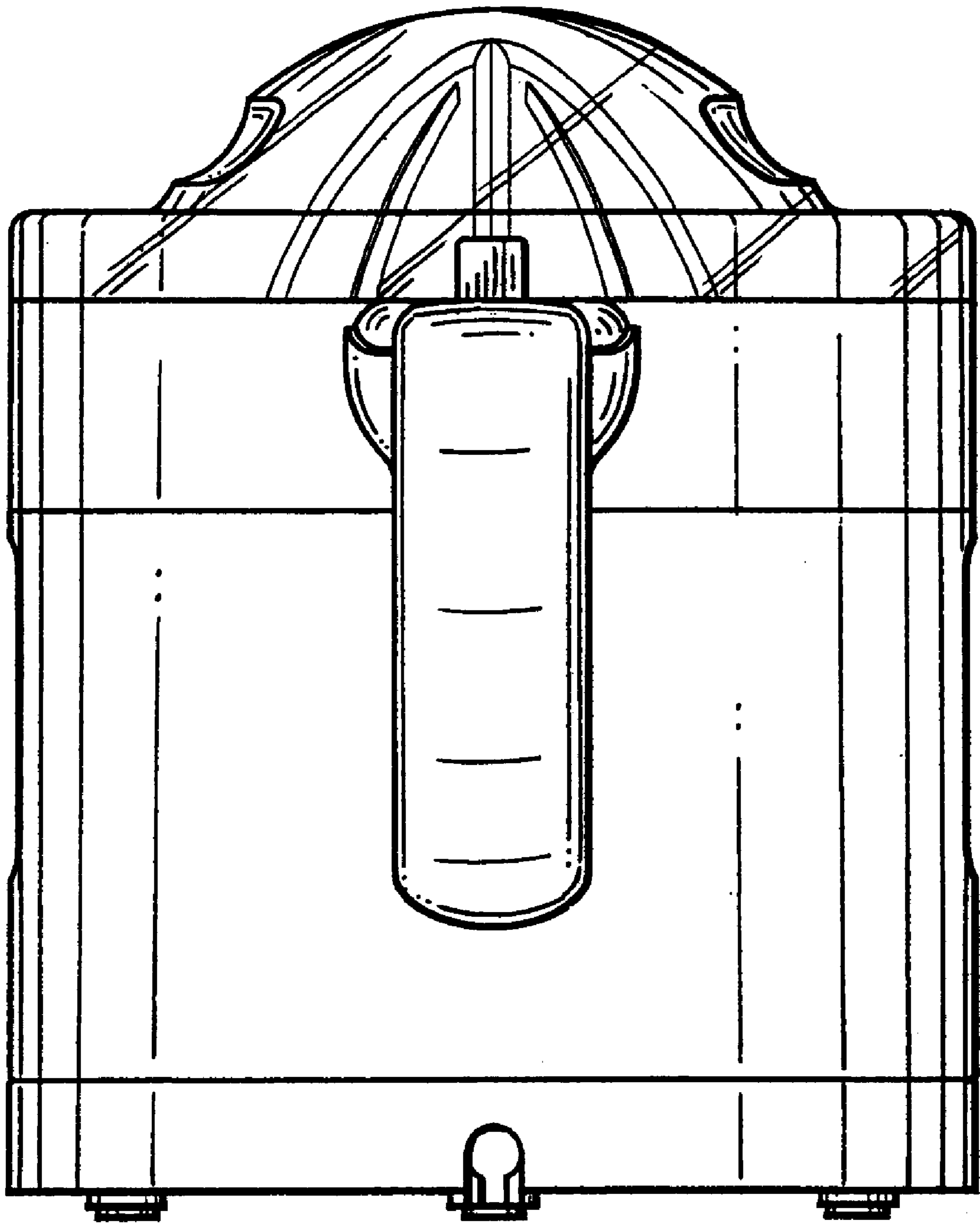


FIG. 4

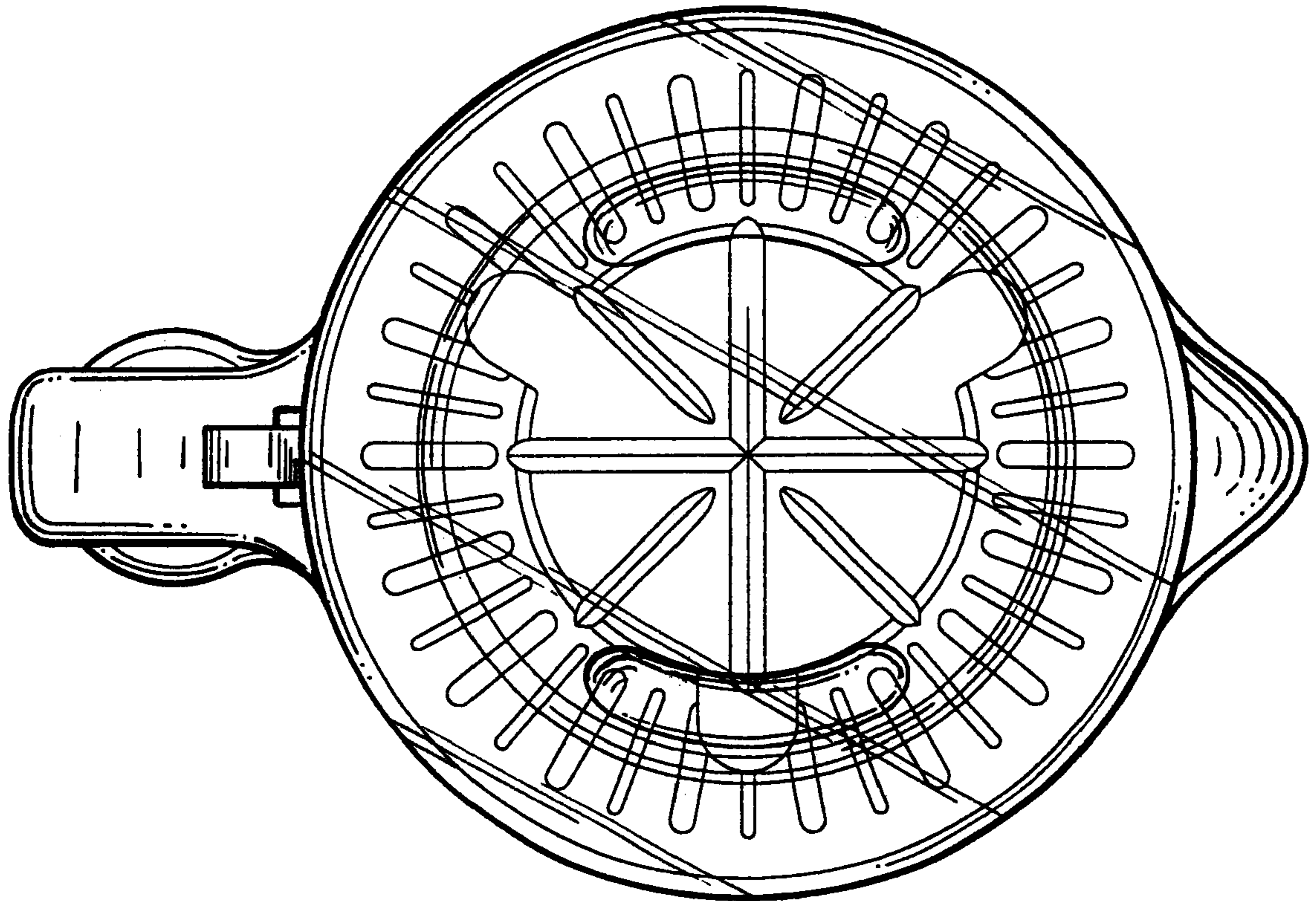


FIG. 5

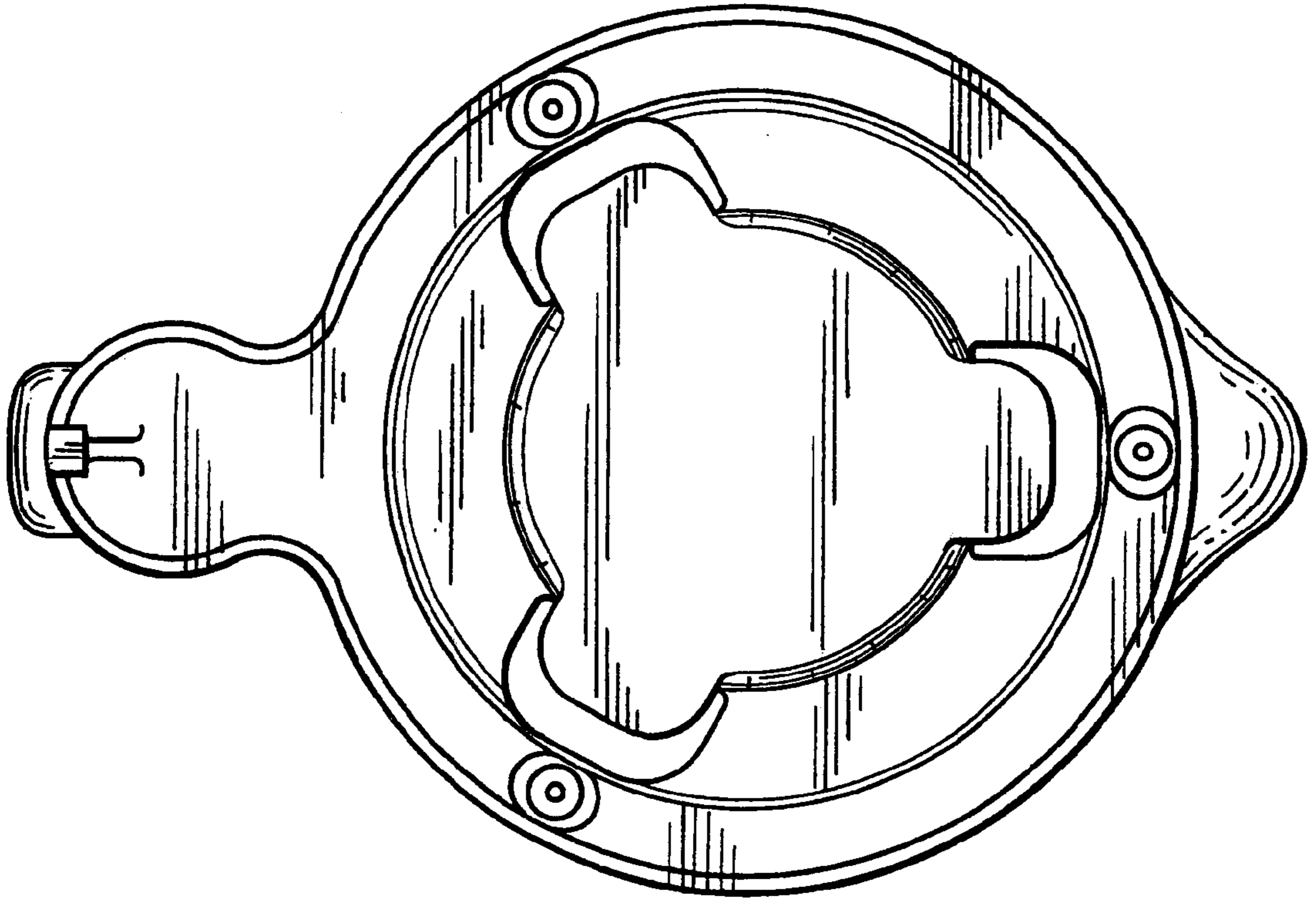


FIG. 6

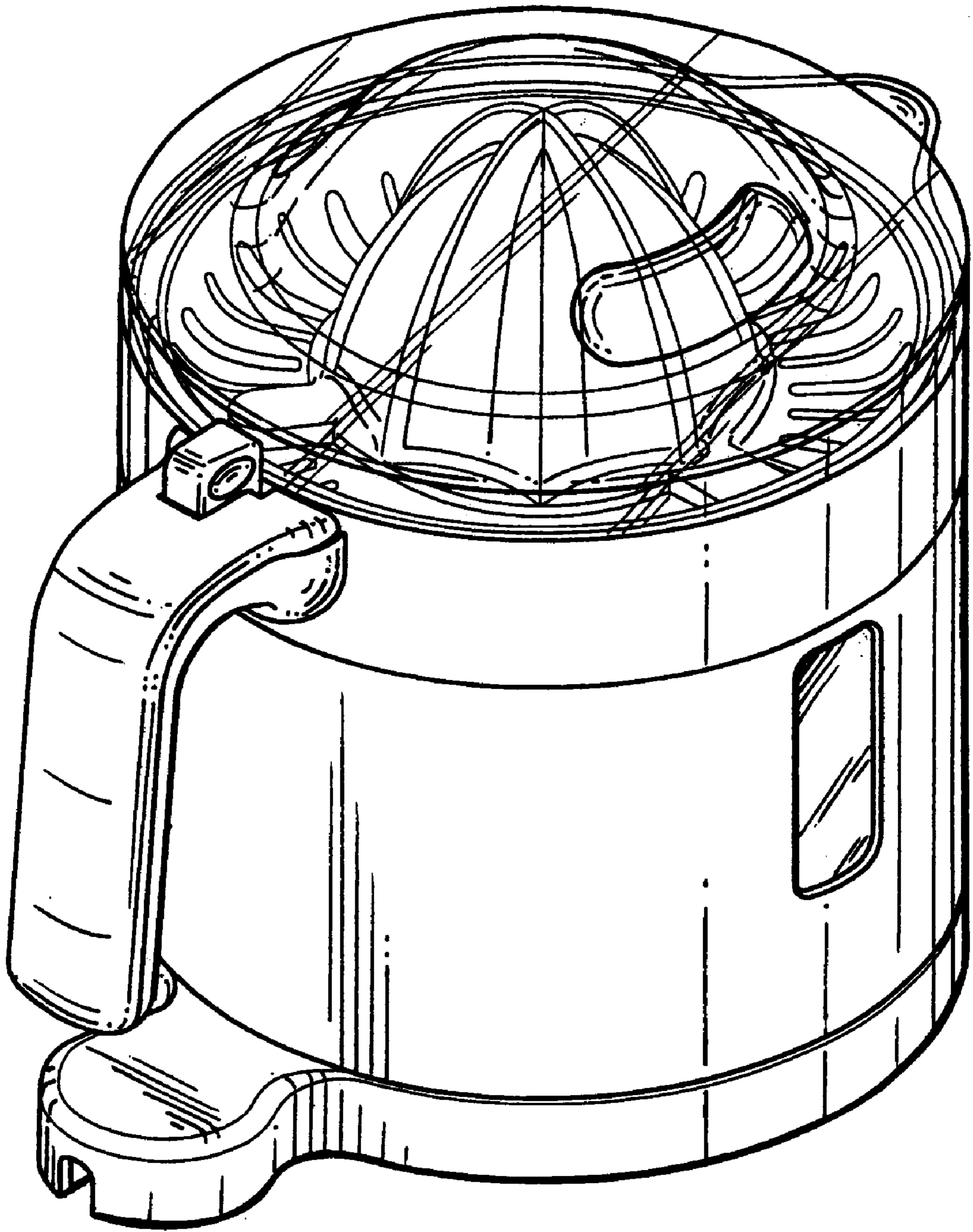


FIG. 7