



US00D488676S

(12) **United States Design Patent**  
**Bradshaw**

(10) **Patent No.:** **US D488,676 S**

(45) **Date of Patent:** **\*\* Apr. 20, 2004**

(54) **KNIFE BLOCK**

D421,879 S \* 3/2000 Miller et al. .... D7/637

(75) Inventor: **Brett Bradshaw**, Laguna Beach, CA  
(US)

\* cited by examiner

(73) Assignee: **Bradshaw International, Inc.**, Rancho  
Cucamonga, CA (US)

*Primary Examiner*—Terry A. Wallace

(74) *Attorney, Agent, or Firm*—Birch, Stewart, Kolasch &  
Birch, LLP

(\*\*) Term: **14 Years**

(57) **CLAIM**

The ornamental design for a knife block, as shown and  
described.

(21) Appl. No.: **29/173,078**

(22) Filed: **Dec. 23, 2002**

**DESCRIPTION**

(51) **LOC (7) Cl.** ..... **07-07**

(52) **U.S. Cl.** ..... **D7/637**

(58) **Field of Search** ..... D7/637-641; D19/75,  
D19/77, 78, 81, 84; 211/13.1, 70, 70.6,  
70.7, 69.1-69.4; 248/37.3, 37.6; 269/16,  
289 R

FIG. 1 is a front, right perspective view of the knife block  
showing my new design;  
FIG. 2 is a front view thereof;  
FIG. 3 is a rear view thereof;  
FIG. 4 is a right side view thereof;  
FIG. 5 is a left side view thereof;  
FIG. 6 is a top plan view thereof; and,  
FIG. 7 is a bottom view thereof.

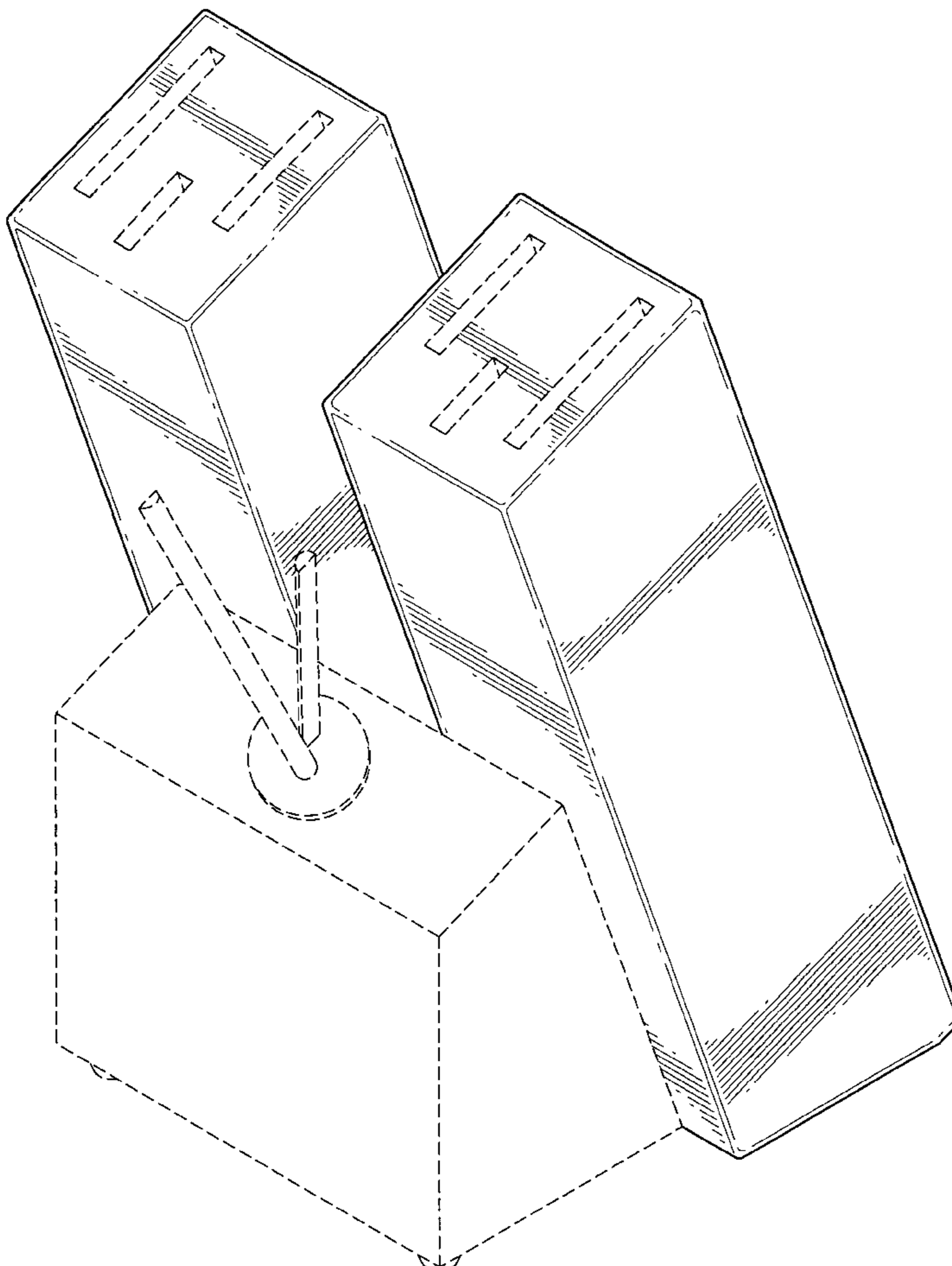
The features shown in broken lines in FIGS. 1-7 do not form  
part of the claimed design.

(56) **References Cited**

**U.S. PATENT DOCUMENTS**

4,509,651 A \* 4/1985 Prindle ..... 211/70.6  
D396,386 S \* 7/1998 Conner ..... D7/641

**1 Claim, 7 Drawing Sheets**



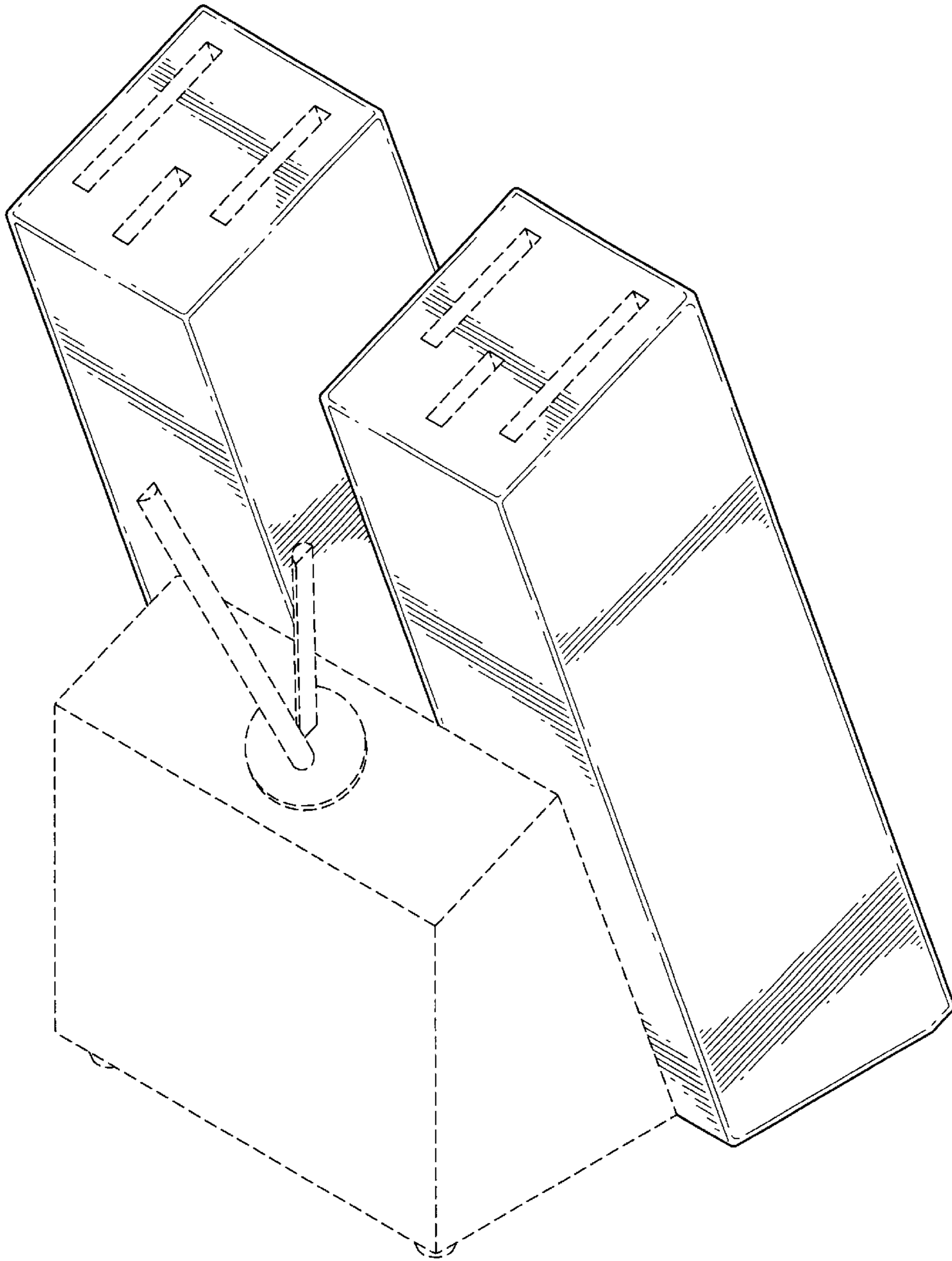


FIG.1

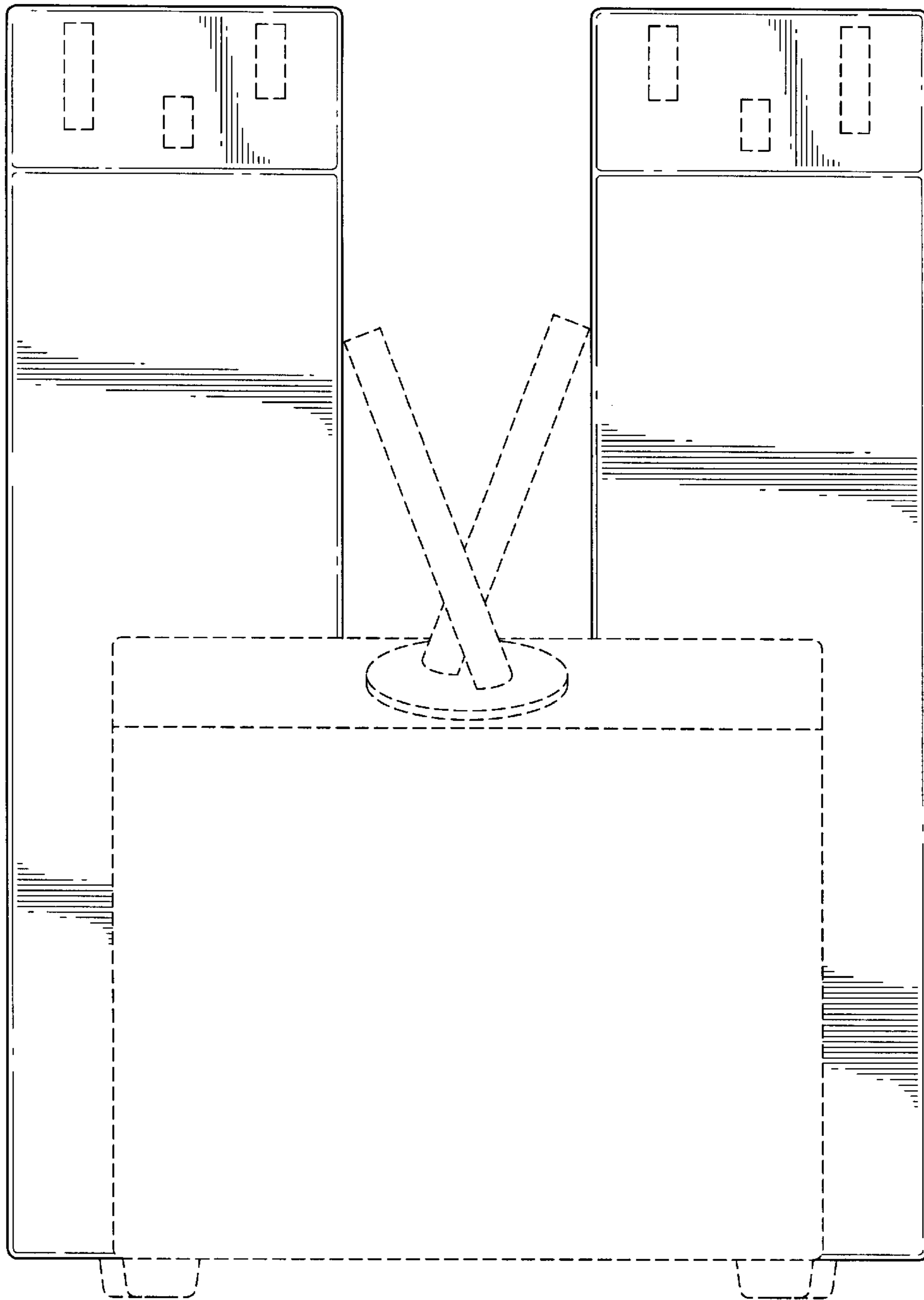


FIG.2

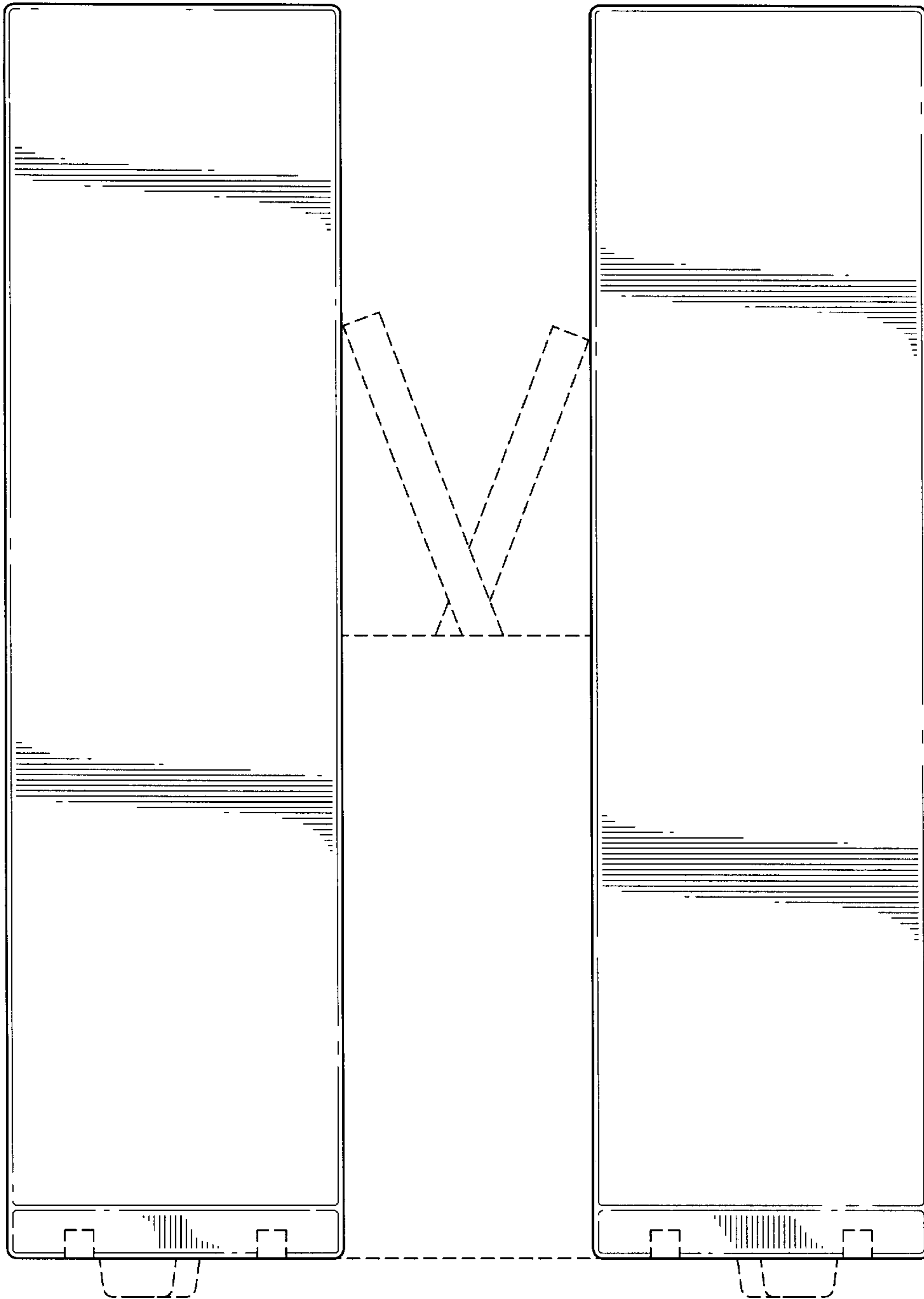


FIG.3

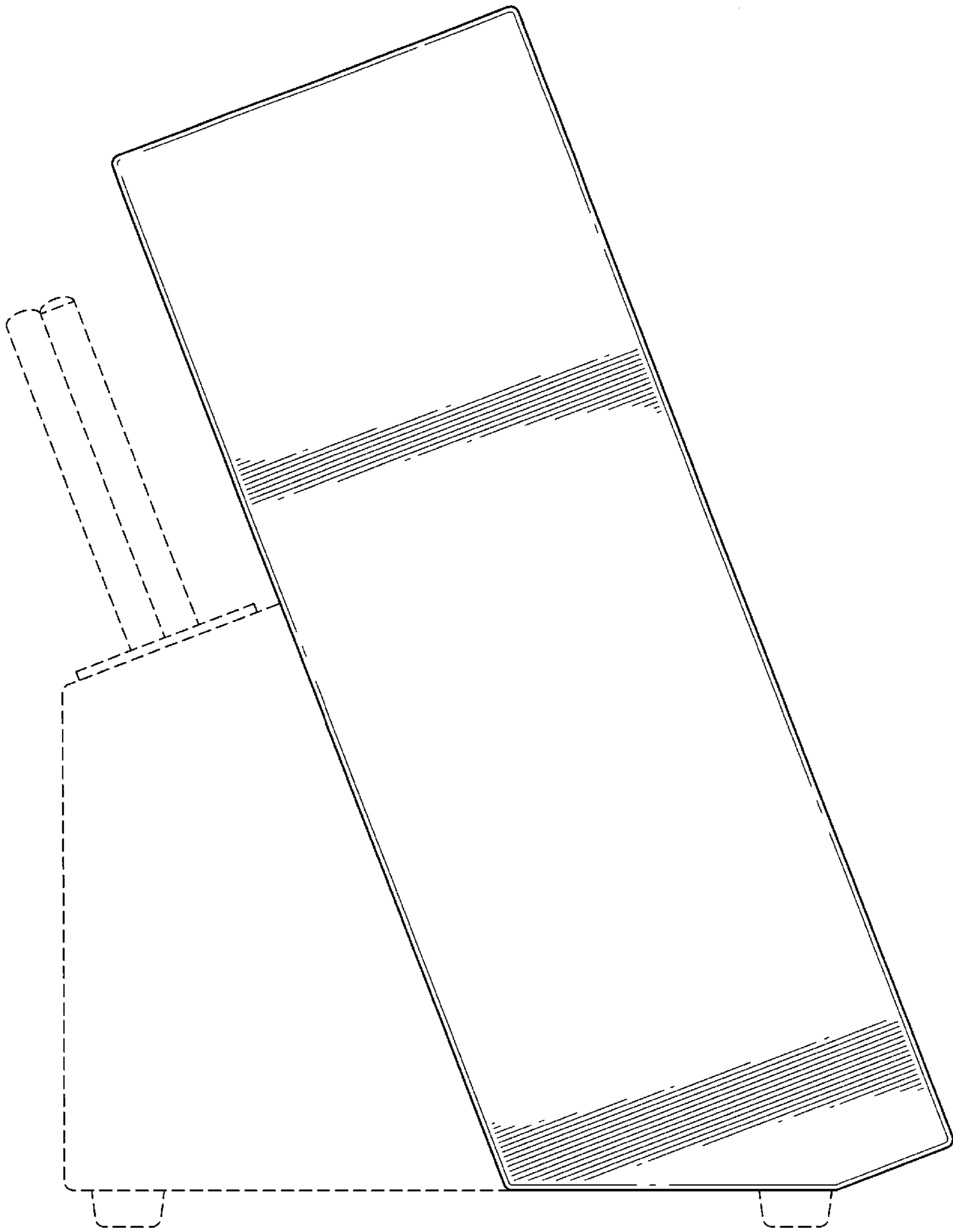


FIG.4

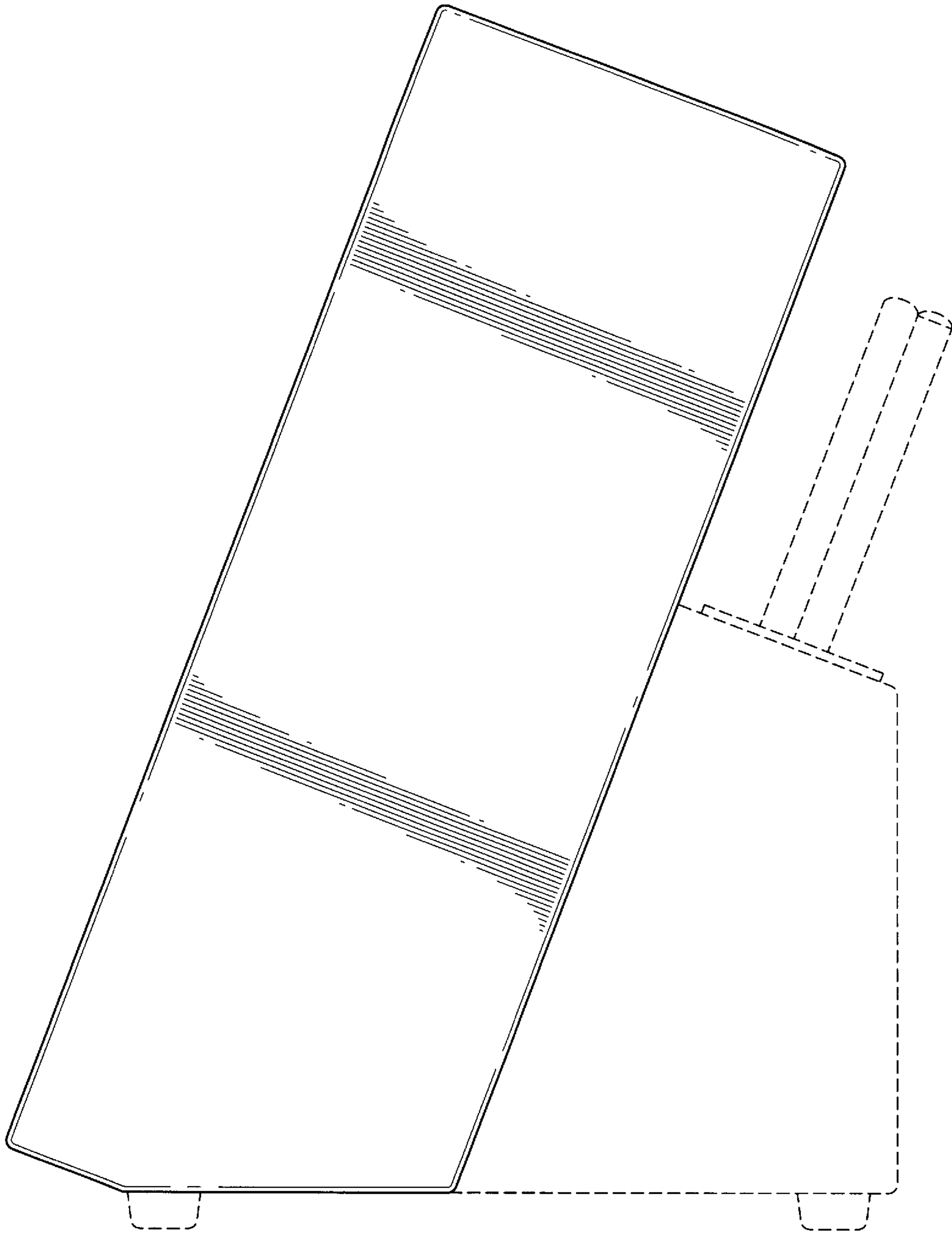


FIG.5

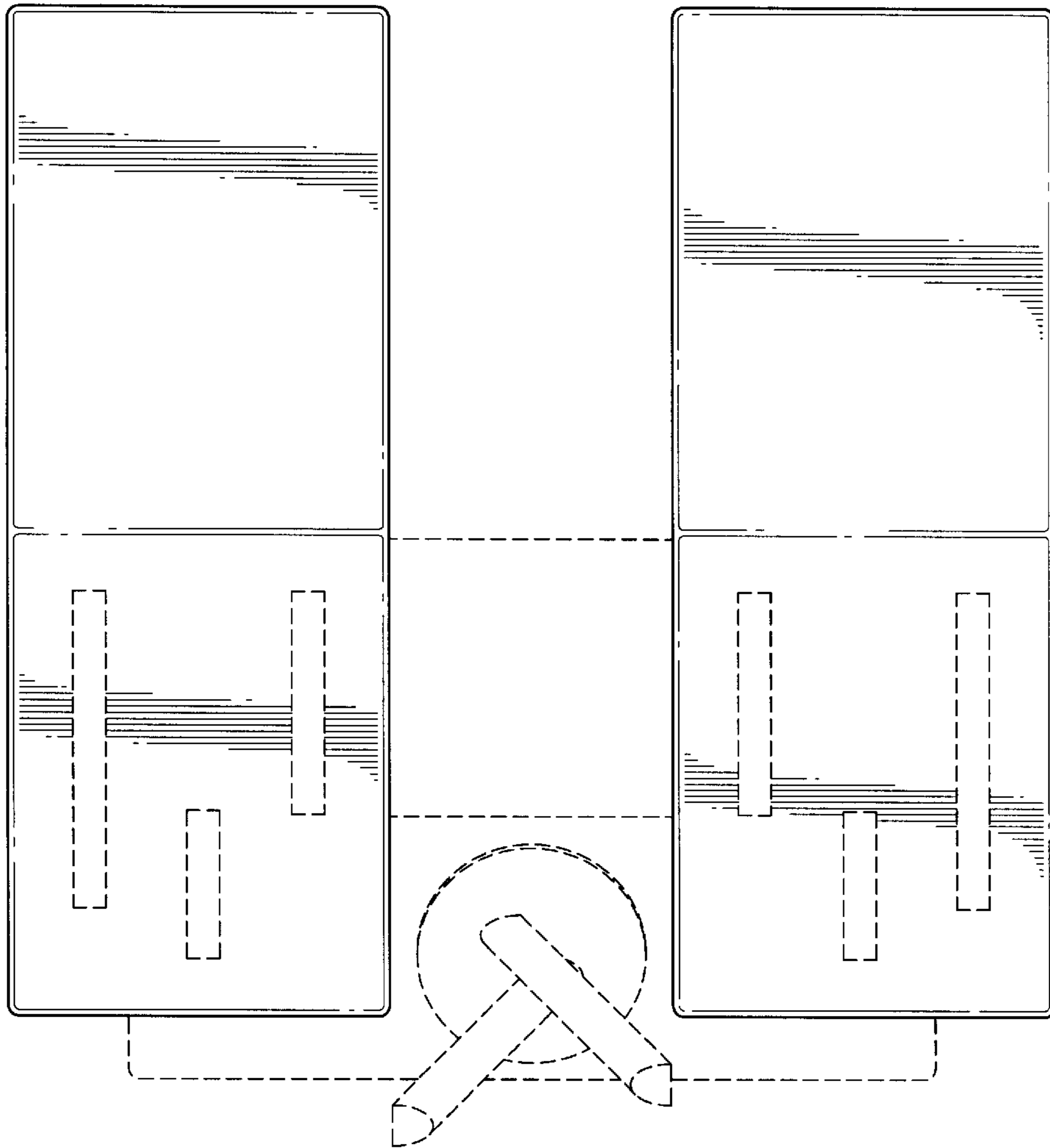


FIG. 6

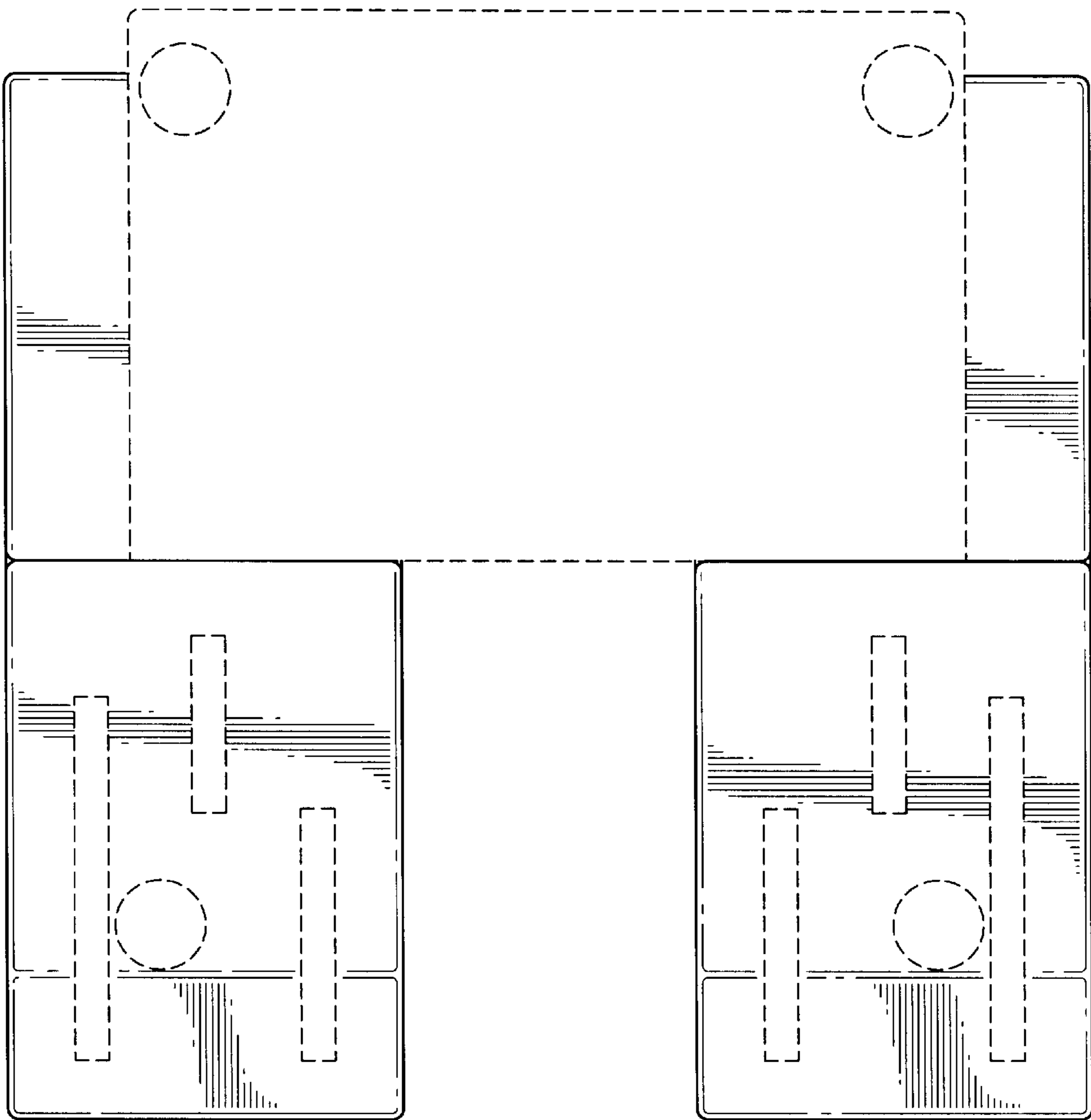


FIG. 7