



US00D488673S

(12) **United States Design Patent**
Farce

(10) **Patent No.:** **US D488,673 S**

(45) **Date of Patent:** **** Apr. 20, 2004**

(54) **GLASS**

(75) **Inventor:** **Jean-Michel Farce, Paris (FR)**

(73) **Assignee:** **Sanpellegrino S.p.A., Milan (IT)**

(**) **Term:** **14 Years**

(21) **Appl. No.:** **29/170,218**

(22) **Filed:** **Nov. 1, 2002**

(30) **Foreign Application Priority Data**

May 3, 2002 (IT) MI2002O000312

(51) **LOC (7) Cl.** **07-01**

(52) **U.S. Cl.** **D7/523; D7/509**

(58) **Field of Search** D7/536, 523, 509,
D7/507, 587, 584; 220/675, 703, DIG. 11,
735, 574.1, 608, 574; 215/12.1, 375; 206/217

(56) **References Cited**

U.S. PATENT DOCUMENTS

D108,788 S	*	3/1938	Kostellow	D7/523
D122,393 S	*	9/1940	Dreitzer	D7/523
D288,766 S	*	3/1987	Tardif	D7/523
D305,193 S	*	12/1989	Sajadieh	D7/509
D307,089 S	*	4/1990	Lage	D7/536
5,341,953 A	*	8/1994	Forester	220/575
D405,316 S	*	2/1999	Spike	D7/507

D412,806 S	*	8/1999	Pierce	D7/300.1
D423,877 S	*	5/2000	Kerr	D7/509
D438,430 S	*	3/2001	Gabrhel	D7/523
D442,831 S	*	5/2001	Jacobs	D7/584
D451,346 S	*	12/2001	Wyche	D7/509
D454,278 S	*	3/2002	Kerman	D7/509
D457,389 S	*	5/2002	Snell	D7/396.6
D463,715 S	*	10/2002	Dretzka	D7/523
D473,758 S	*	4/2003	Wilson	D7/587
D476,193 S	*	6/2003	Janky	D7/510

* cited by examiner

Primary Examiner—M. N. Pandozzi

(74) *Attorney, Agent, or Firm*—Welsh & Katz, Ltd.

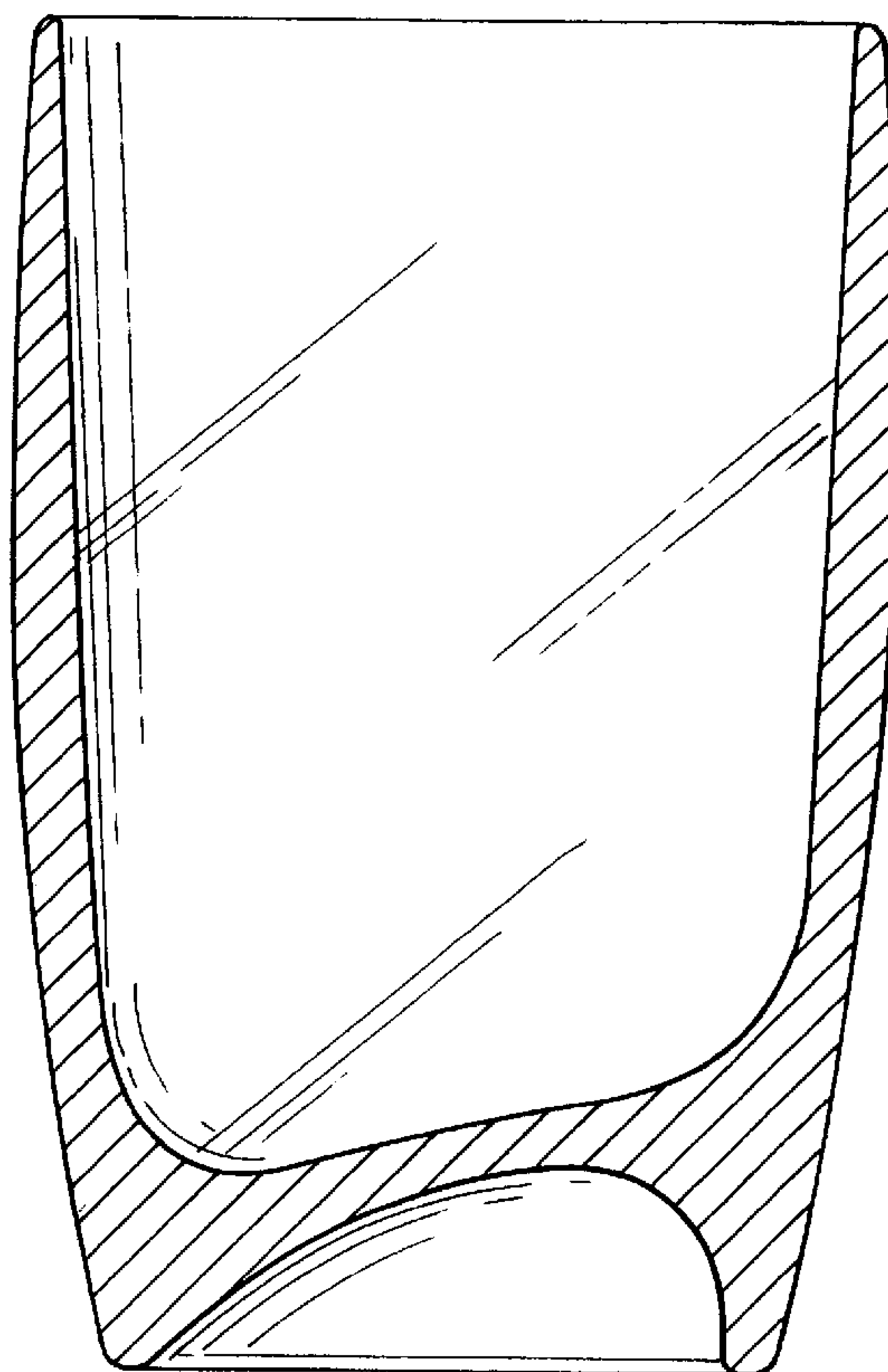
(57) **CLAIM**

The ornamental design for the “glass”, as shown and described.

DESCRIPTION

FIG. 1 is a perspective view of the glass, showing my new design, in a first embodiment;
 FIG. 2 is a front view thereof, any of a rear, right side and left side view being mirror-like;
 FIG. 3 is a plan view from above;
 FIG. 4 is a plan view from below; and,
 FIG. 5 is a sectional front view thereof.

1 Claim, 2 Drawing Sheets



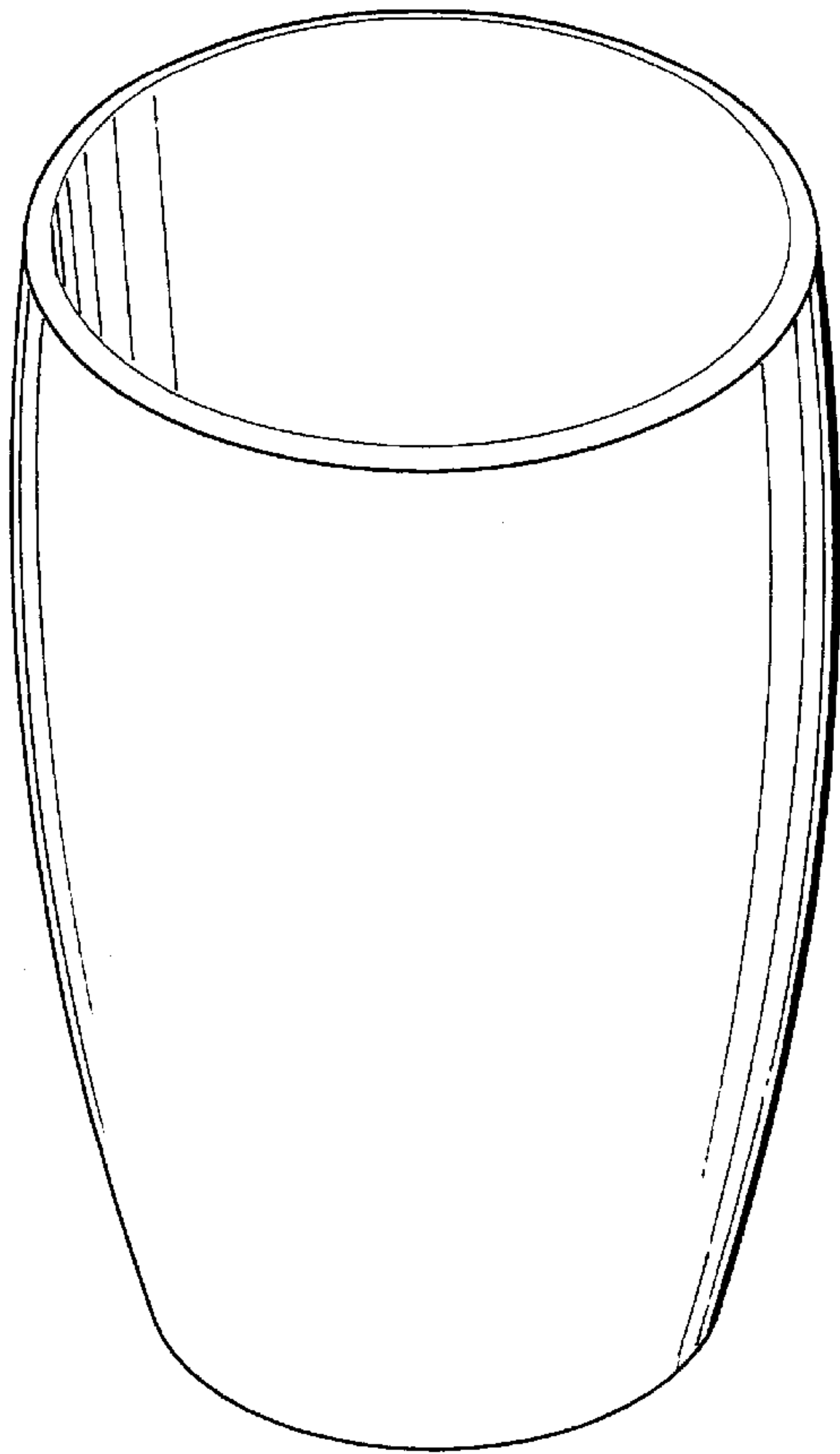


FIG. 1

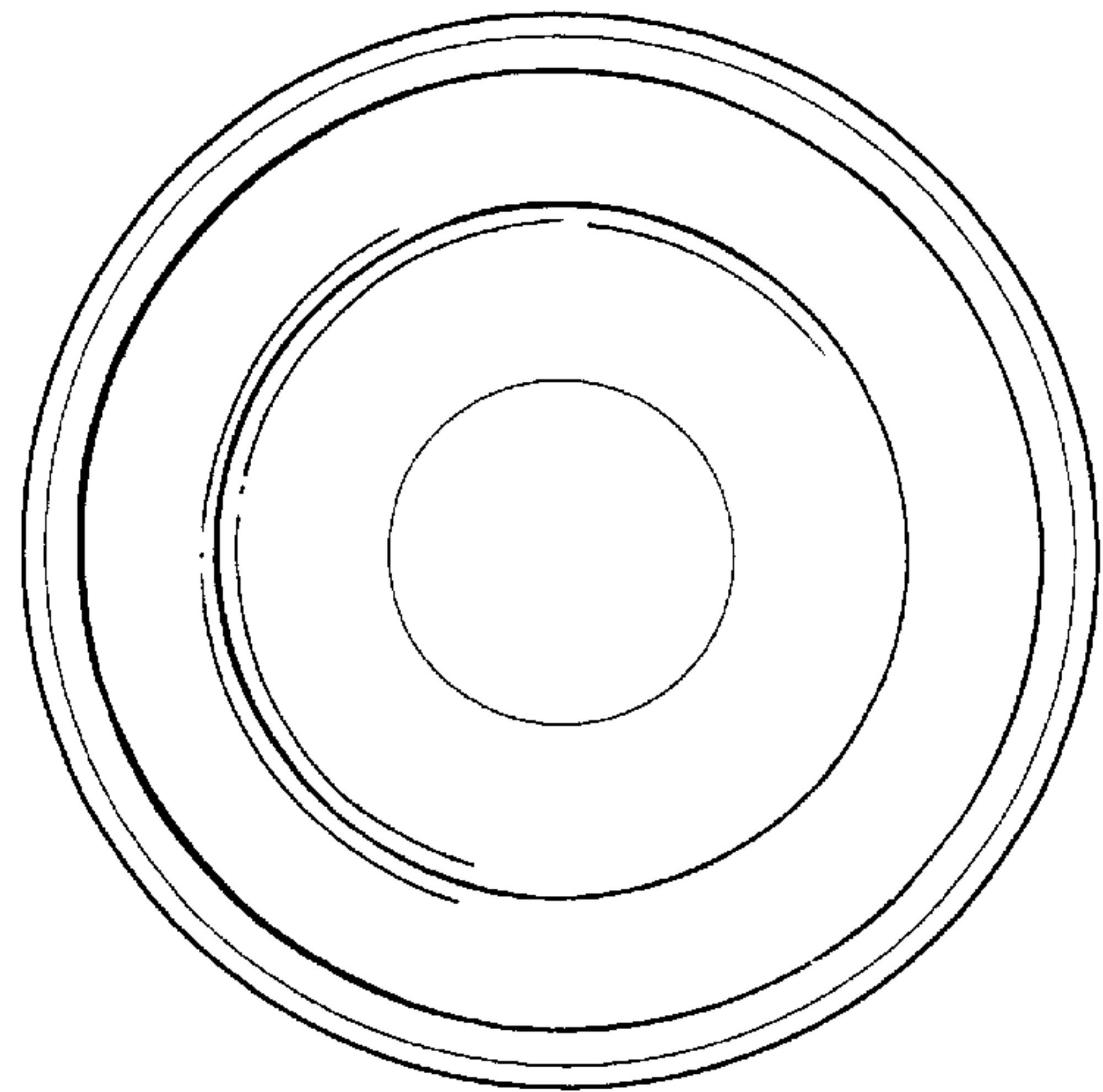


FIG. 3

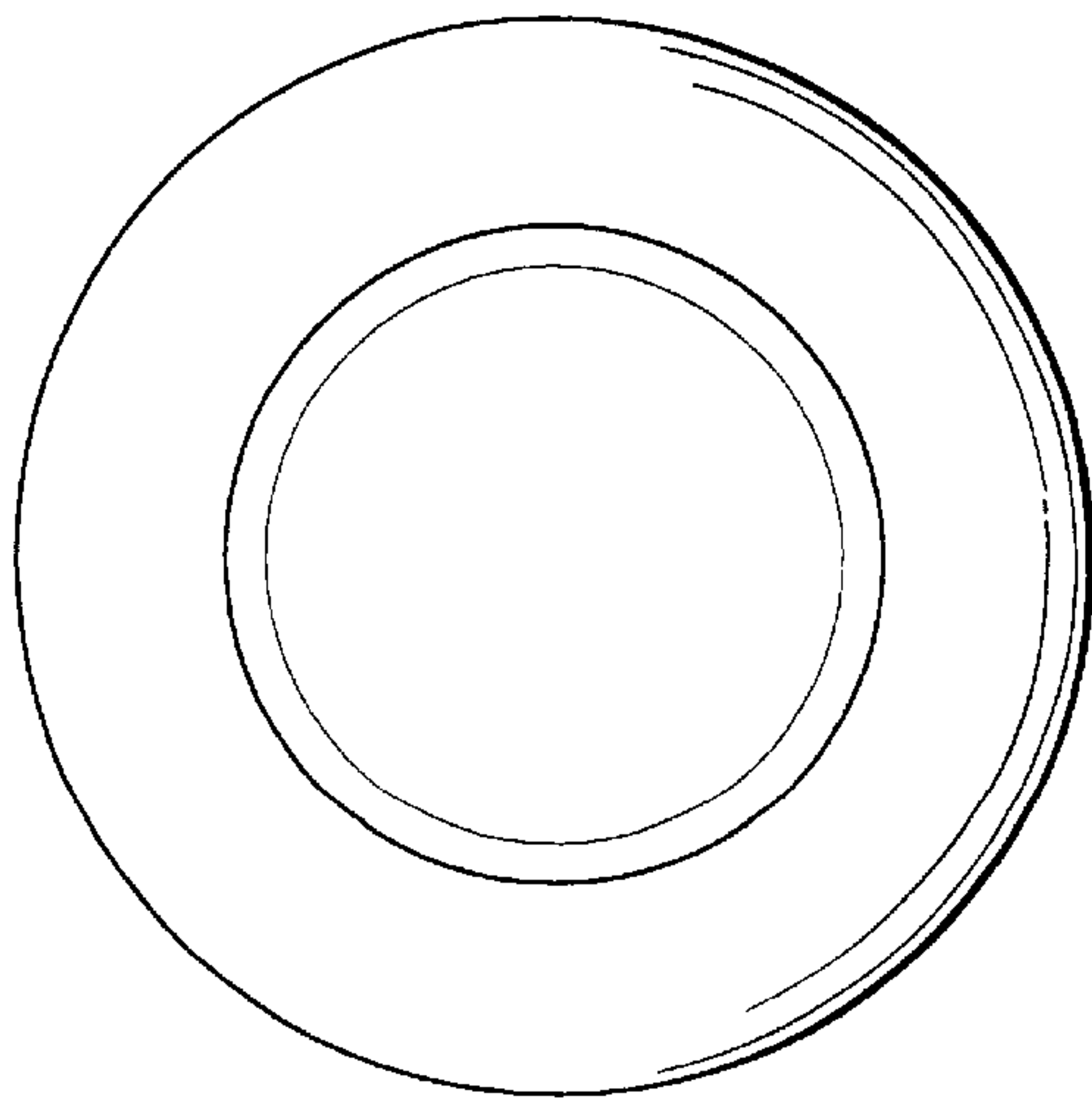


FIG. 4

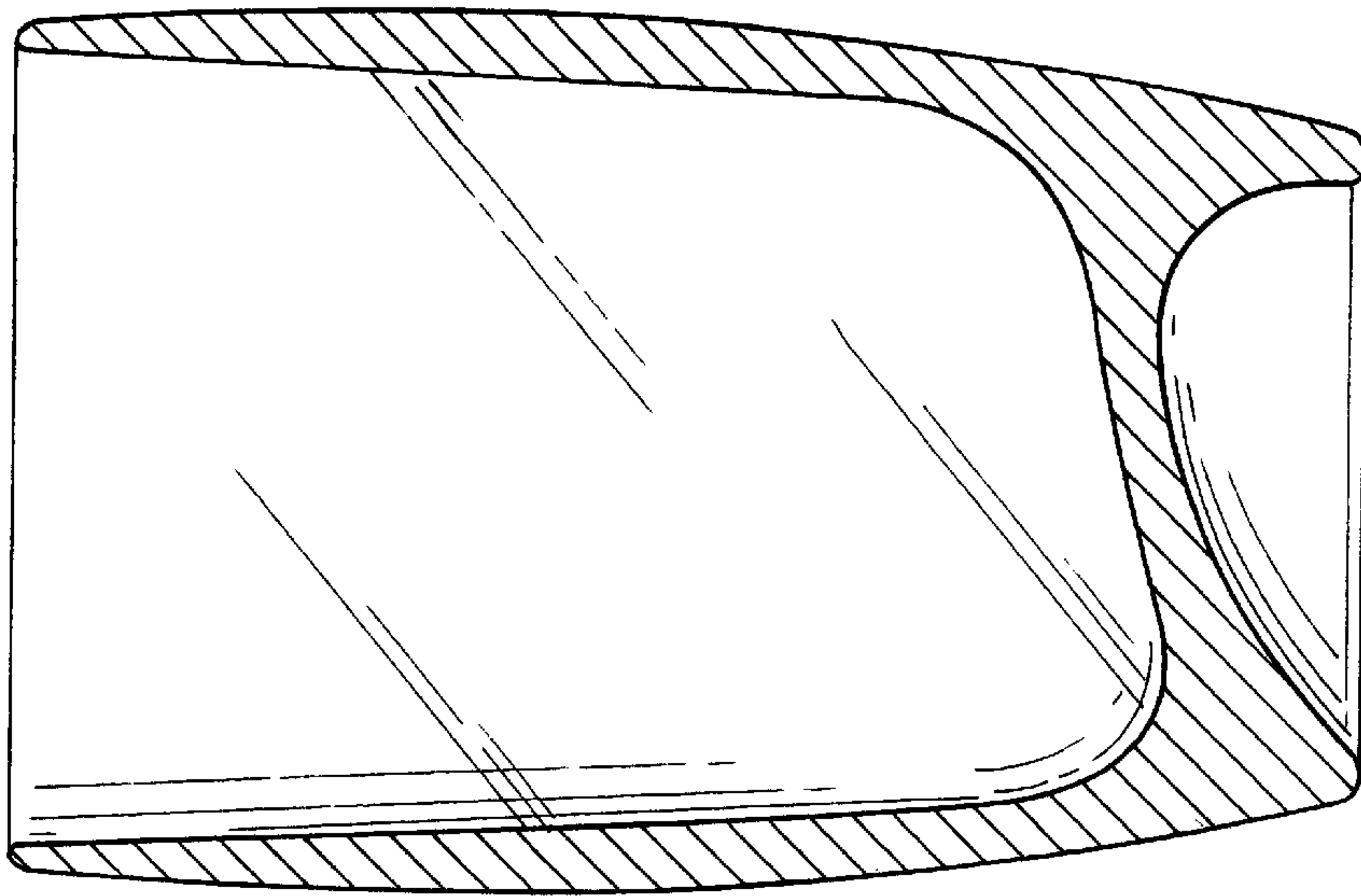


FIG. 5

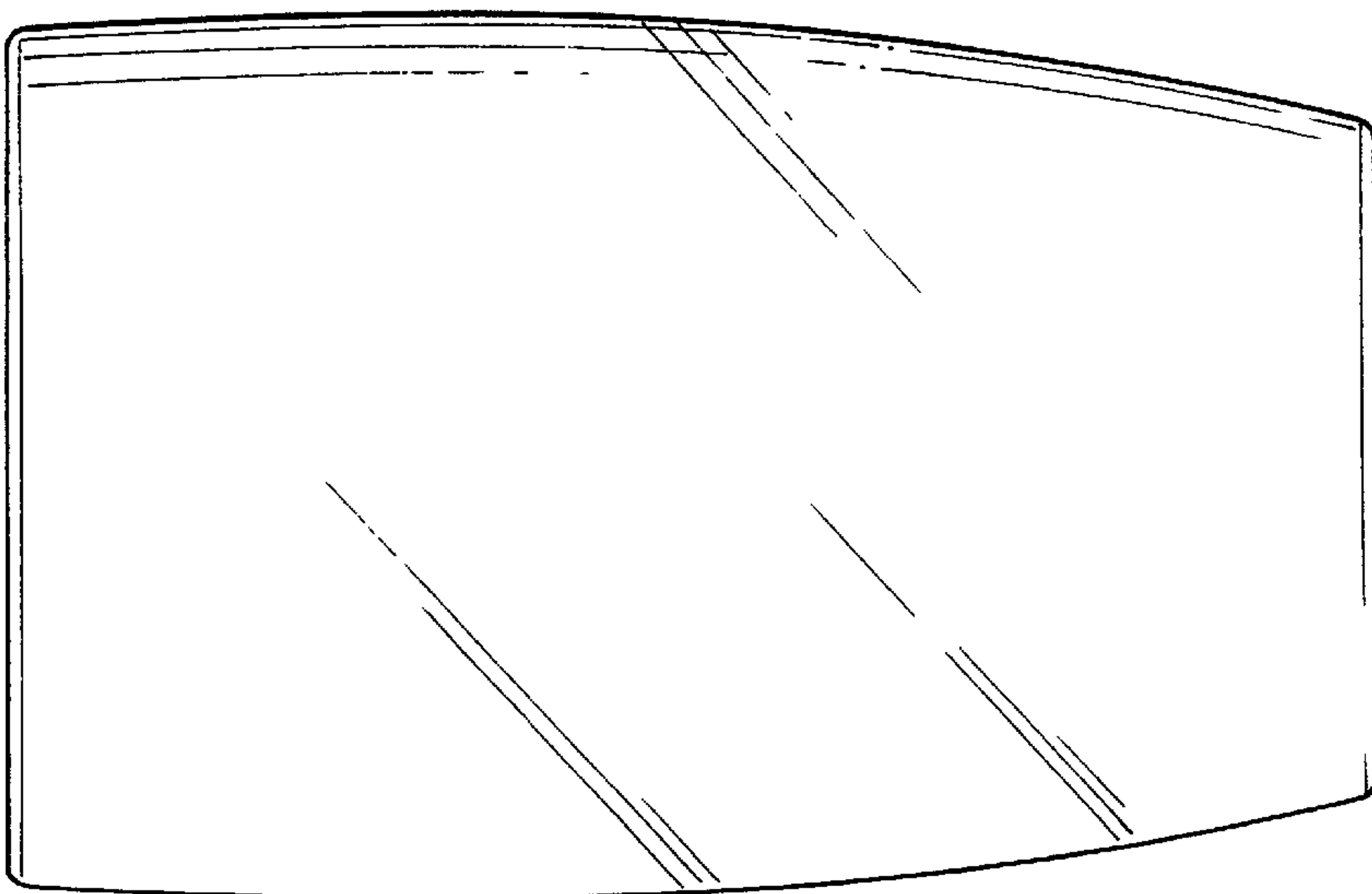


FIG. 2