



US00D488672S

(12) **United States Design Patent**  
**Oas**

(10) **Patent No.:** **US D488,672 S**

(45) **Date of Patent:** **\*\* Apr. 20, 2004**

(54) **BEVERAGE CONTAINER WITH MOTION SENSITIVE LED-CONTAINING BASE**

(76) **Inventor:** **Daniel R. Oas**, 3630 Cypress Ave., El Monte, CA (US) 91731

(\*\*) **Term:** **14 Years**

(21) **Appl. No.:** **29/182,124**

(22) **Filed:** **May 20, 2003**

(51) **LOC (7) Cl.** ..... **07-01**

(52) **U.S. Cl.** ..... **D7/507; D7/510; D7/523**

(58) **Field of Search** ..... **D7/507, 509, 523, D7/532, 510, 511, 533; D23/367; 446/71, 77, 484; 229/125.1; 220/735, 703, 592.16, 592.17; 362/101, 34, 154, 200, 155, 562; 215/387, DIG. 7; 340/321**

(56) **References Cited**

**U.S. PATENT DOCUMENTS**

2,276,678	A	*	3/1942	Wheeler	.....	229/125.1
3,428,214	A	*	2/1969	De Leon	.....	220/703
4,034,213	A	*	7/1977	Norris	.....	362/200
4,344,113	A	*	8/1982	Ditto et al.	.....	362/101
5,010,461	A	*	4/1991	Saotome	.....	362/101
D392,842	S	*	3/1998	Parpaiola	.....	D7/509
D417,819	S	*	12/1999	Kelly-Pollet	.....	D7/510
6,082,866	A	*	7/2000	Amedee	.....	362/34
6,163,248	A	*	12/2000	Paek et al.	.....	340/321
6,164,793	A	*	12/2000	Wu	.....	362/101

D438,298	S	*	2/2001	McNutt	.....	D23/367
6,270,233	B1	*	8/2001	Holland	.....	362/154
D448,241	S	*	9/2001	Morris, Jr.	.....	D7/507
6,283,605	B1	*	9/2001	Kalamaras	.....	362/101
6,322,227	B1	*	11/2001	Liu et al.	.....	362/34
6,371,624	B1	*	4/2002	Dorney	.....	362/34
D458,082	S	*	6/2002	Gluck	.....	D7/510
6,419,384	B1	*	7/2002	Lewis et al.	.....	362/562
6,443,589	B1	*	9/2002	Lee	.....	362/101
D466,371	S	*	12/2002	Parker	.....	D7/510
D475,577	S	*	6/2003	Kung	.....	D7/507
D480,919	S	*	10/2003	Bin	.....	D7/533

\* cited by examiner

*Primary Examiner*—M. N. Pandozzi

(74) *Attorney, Agent, or Firm*—Edgar W. Averill, Jr.

(57) **CLAIM**

The ornamental design for a beverage container with motion sensitive LED-containing base.

**DESCRIPTION**

FIG. 1 is a perspective view showing the top and front of the beverage container of the present invention.

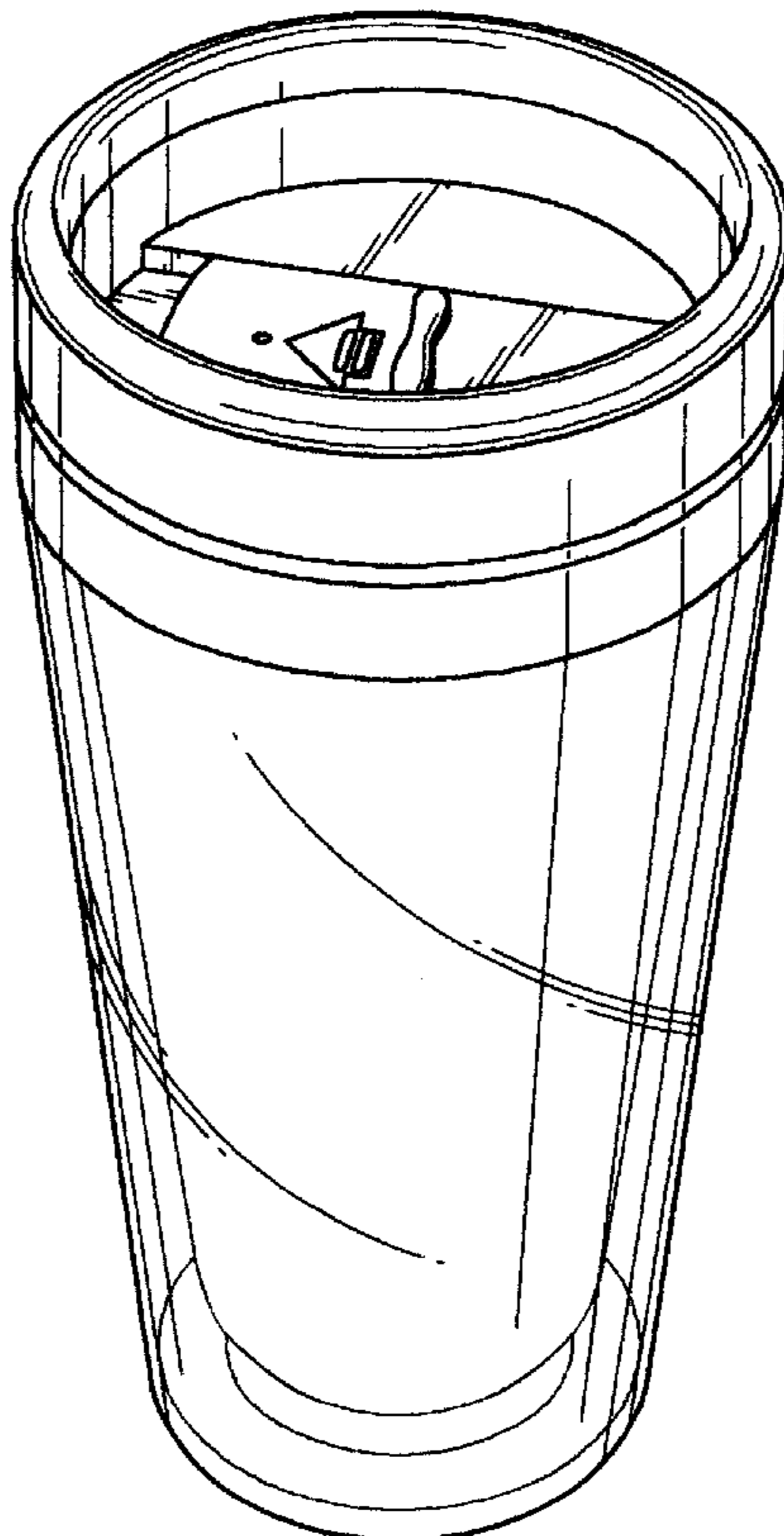
FIG. 2 is a side view thereof.

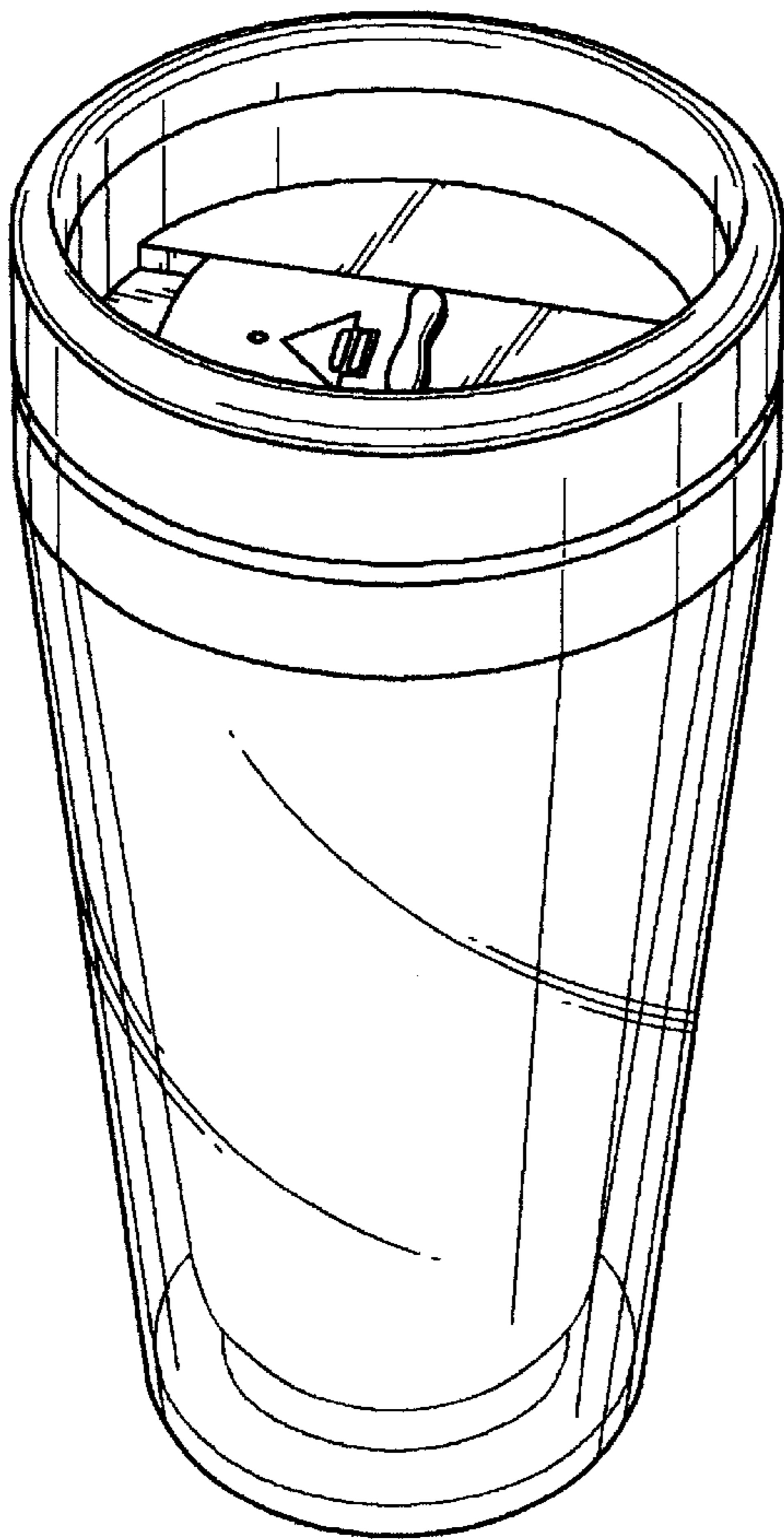
FIG. 3 is a top view thereof.

FIG. 4 is a bottom view thereof; and,

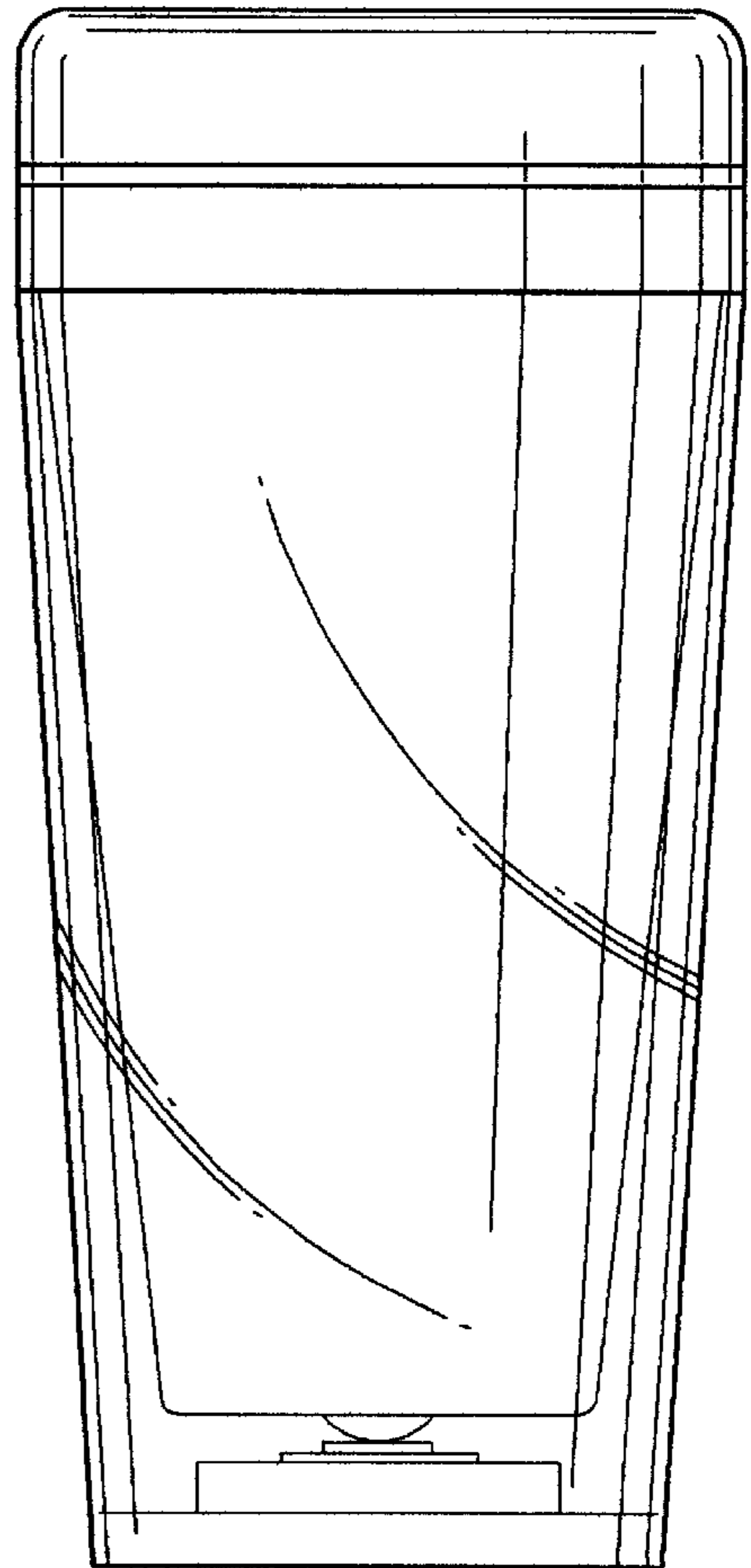
FIG. 5 is a perspective view indicating the emission of light by radial lines.

**1 Claim, 2 Drawing Sheets**

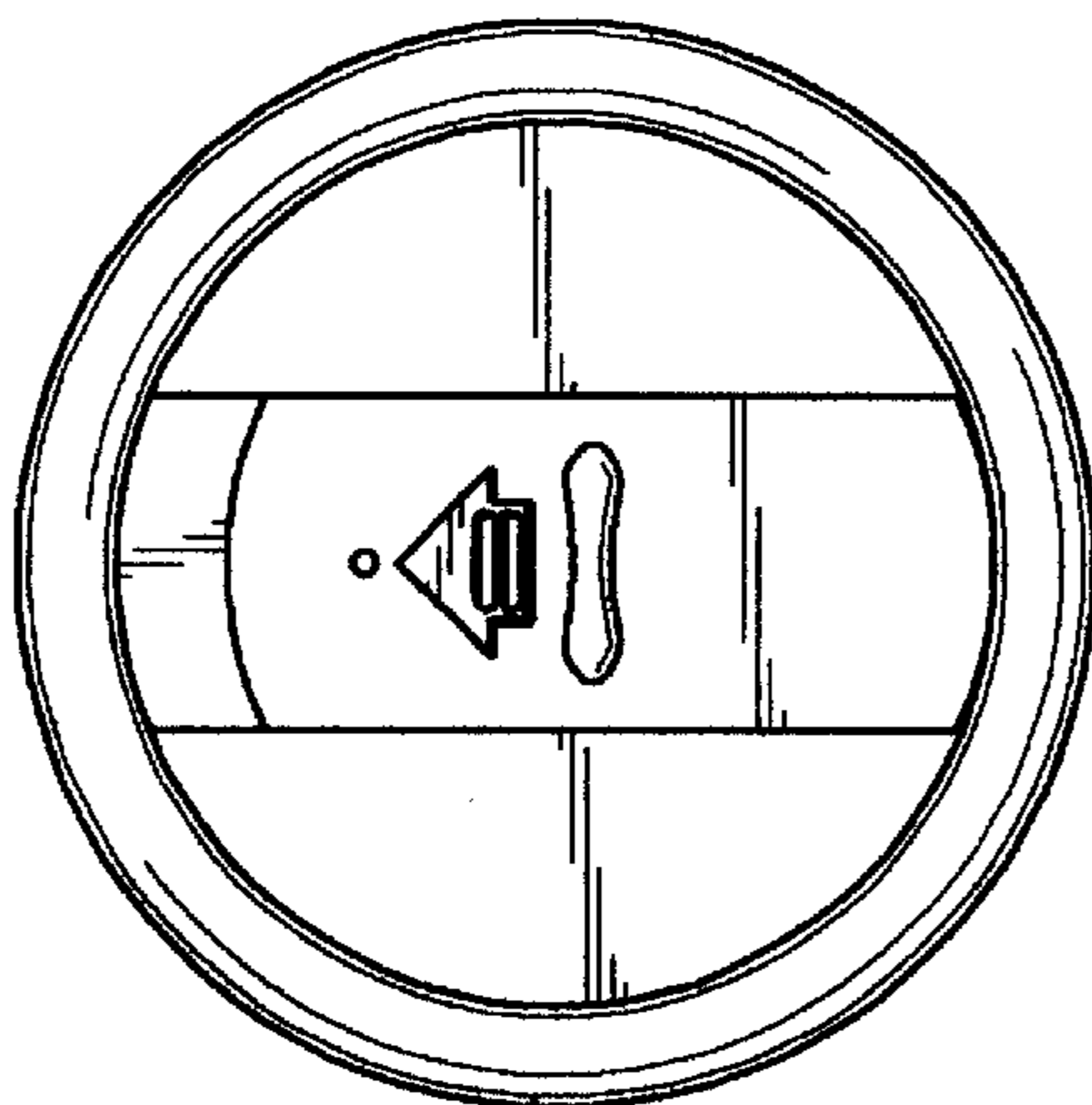




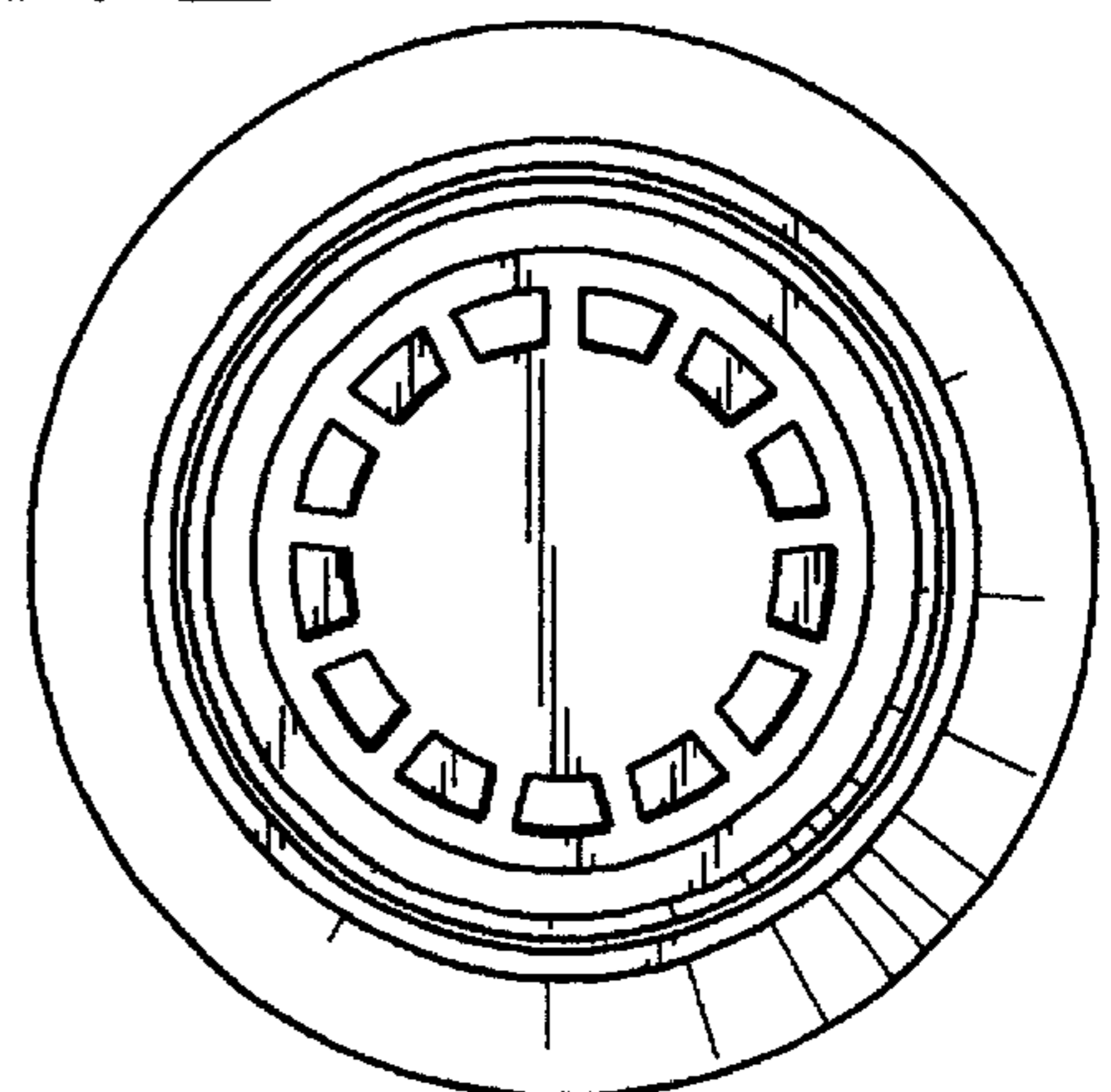
*FIG. 1*



*FIG. 2*



*FIG. 3*



*FIG. 4*

*Fig. 5*

