



US00D488670S

(12) **United States Design Patent**  
**Chan**

(10) **Patent No.:** **US D488,670 S**

(45) **Date of Patent:** **\*\* Apr. 20, 2004**

(54) **DOUBLE CROCK POT**

(76) **Inventor:** **Eddie Man-Ying Chan**, Unit 5, 9/F.,  
Tower B, Hunghom Commercial Centre,  
No.37 Ma Tau Wai Road, Hunghom  
Kowloon, H.K. (CN)

(\*\*) **Term:** **14 Years**

(21) **Appl. No.:** **29/177,862**

(22) **Filed:** **Mar. 18, 2003**

(51) **LOC (7) Cl.** ..... **07-02**

(52) **U.S. Cl.** ..... **D7/357; D7/360**

(58) **Field of Search** ..... **D7/323, 354-361,**  
**D7/402; 99/324-340, 357, 403, 422; 219/620-622,**  
**438, 440, 476, 477**

(56) **References Cited**

**U.S. PATENT DOCUMENTS**

381,784 A \* 4/1888 Hornish ..... 99/339  
D167,077 S \* 6/1952 Gunther ..... D7/357  
D170,480 S \* 9/1953 Sacks ..... D7/357

D171,000 S \* 12/1953 Levine ..... D7/357  
D171,038 S \* 12/1953 Levine ..... D7/357  
D177,023 S \* 3/1956 Courshon ..... D7/357  
5,241,900 A \* 9/1993 Plane, Sr. .... 99/422

\* cited by examiner

*Primary Examiner*—Caron D. Veynar  
(74) *Attorney, Agent, or Firm*—Alix, Yale & Ristas, LLP

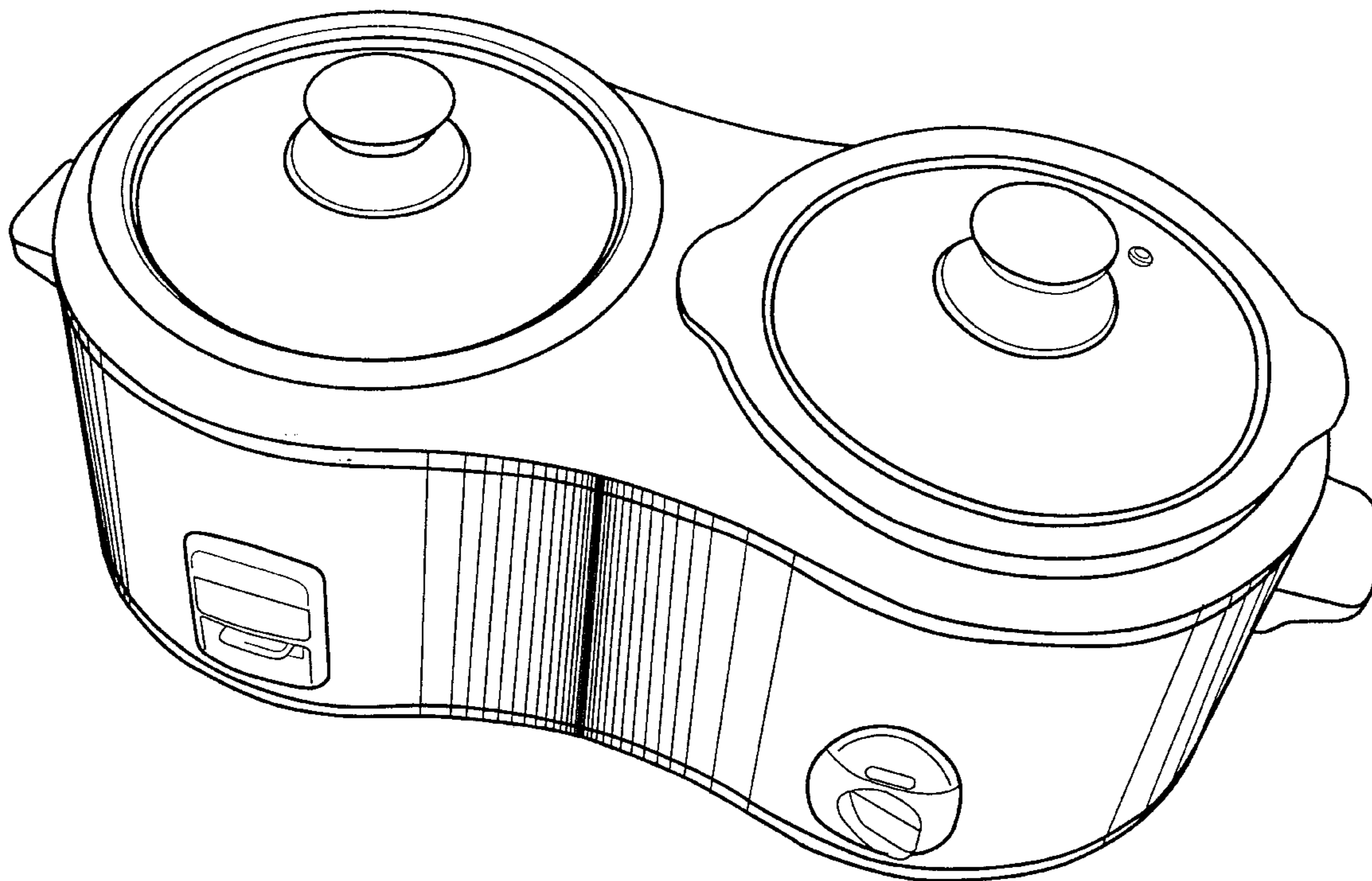
(57) **CLAIM**

The ornamental design for a double crock pot, as shown and described.

**DESCRIPTION**

FIG. 1 is a front perspective view of a double crock pot showing my new design;  
FIG. 2 is a front elevational view thereof;  
FIG. 3 is a rear elevational view thereof;  
FIG. 4 is a left side elevational view thereof;  
FIG. 5 is a right side elevational view thereof;  
FIG. 6 is a top plan view thereof; and,  
FIG. 7 is a bottom plan view thereof.

**1 Claim, 7 Drawing Sheets**



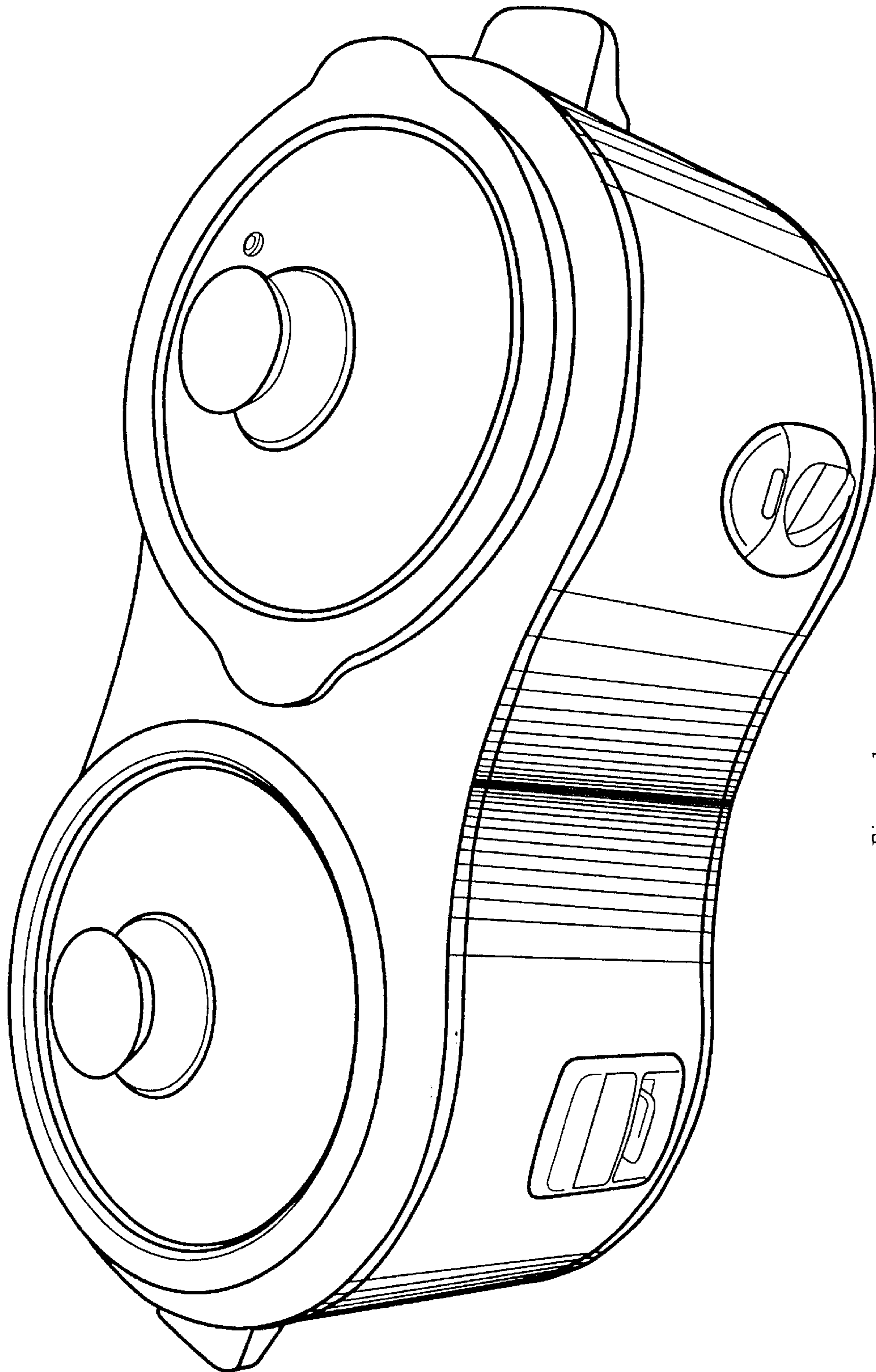


Figure 1

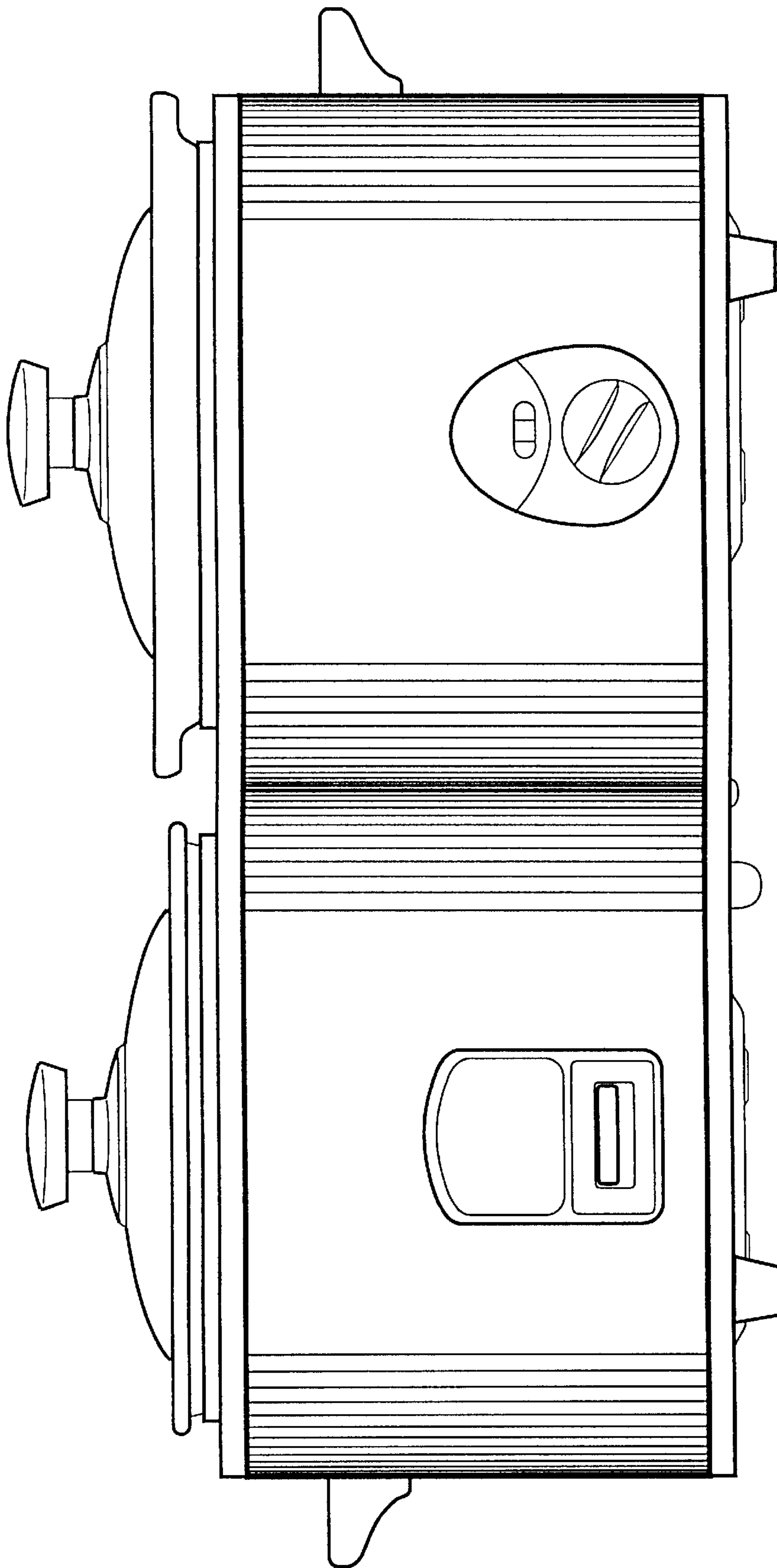


Figure 2

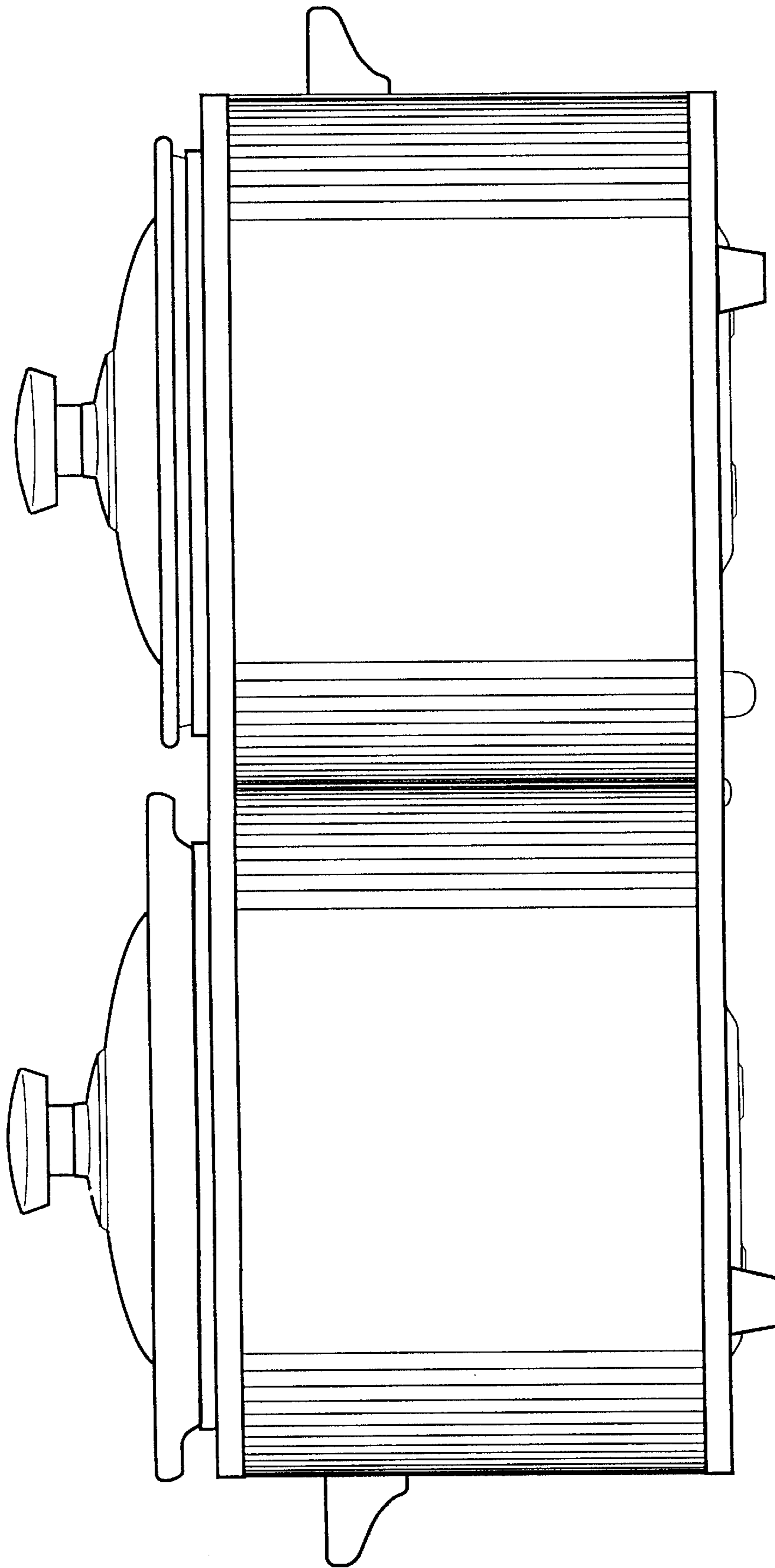


Figure 3

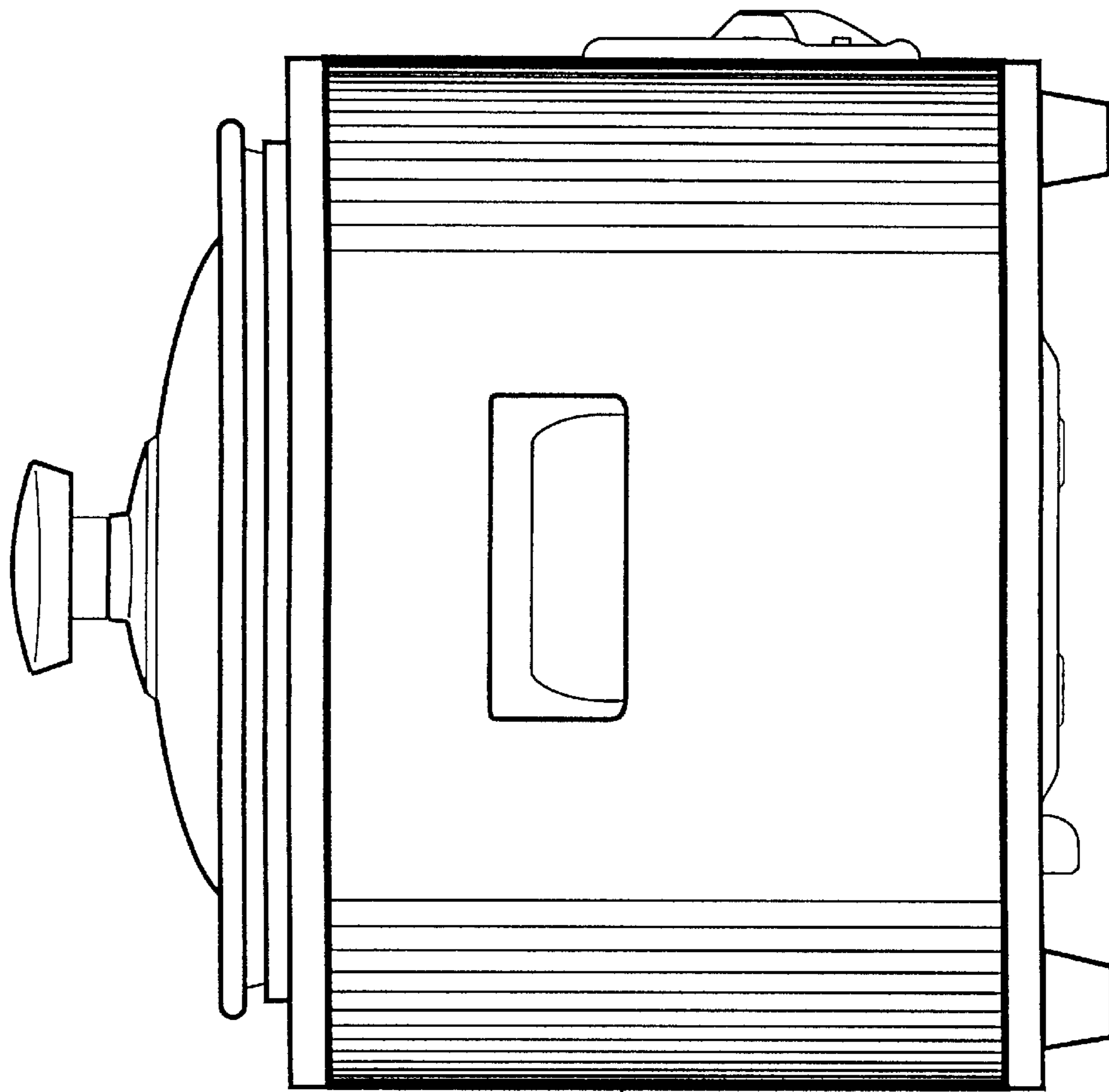


Figure 4

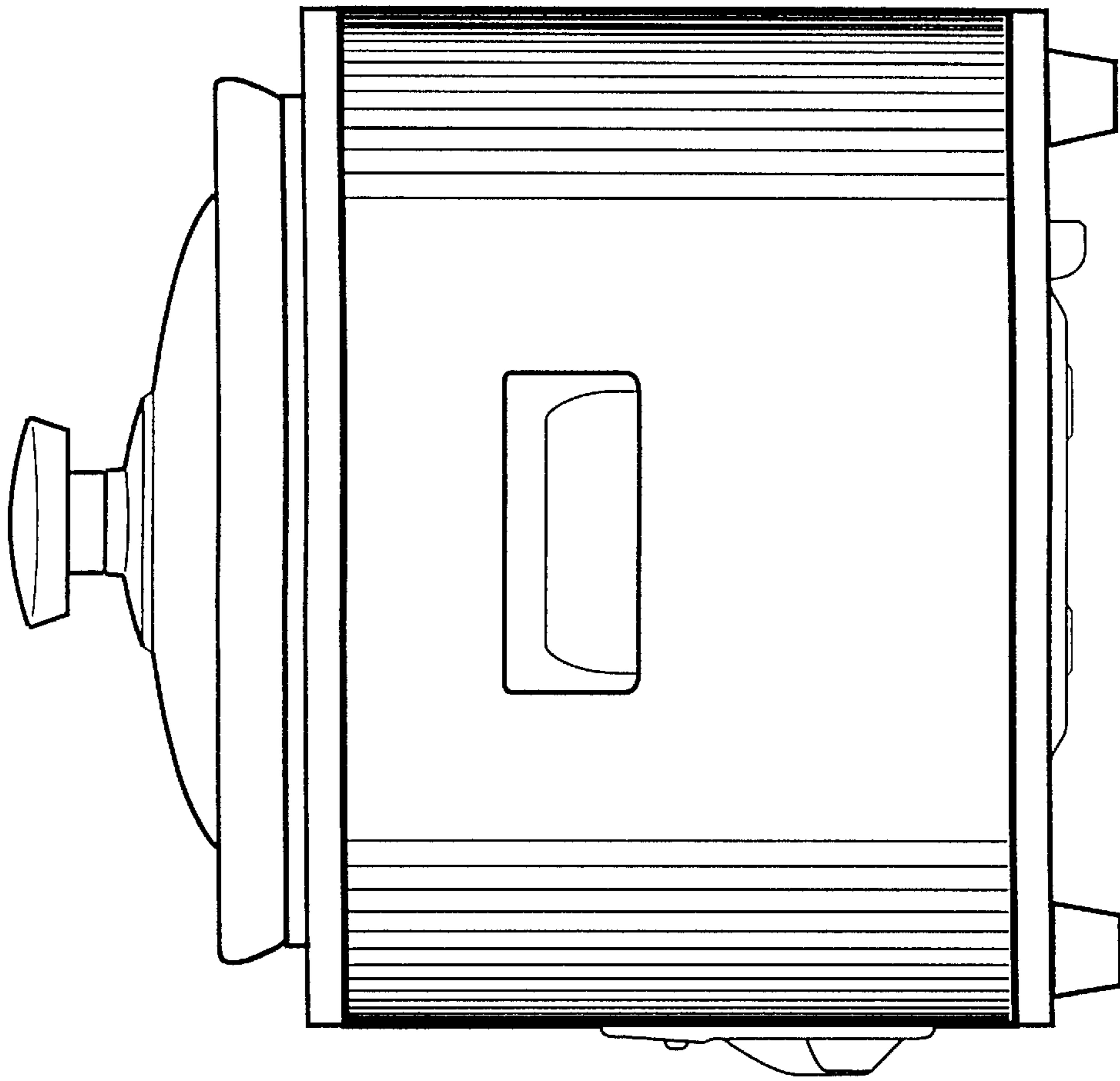


Figure 5

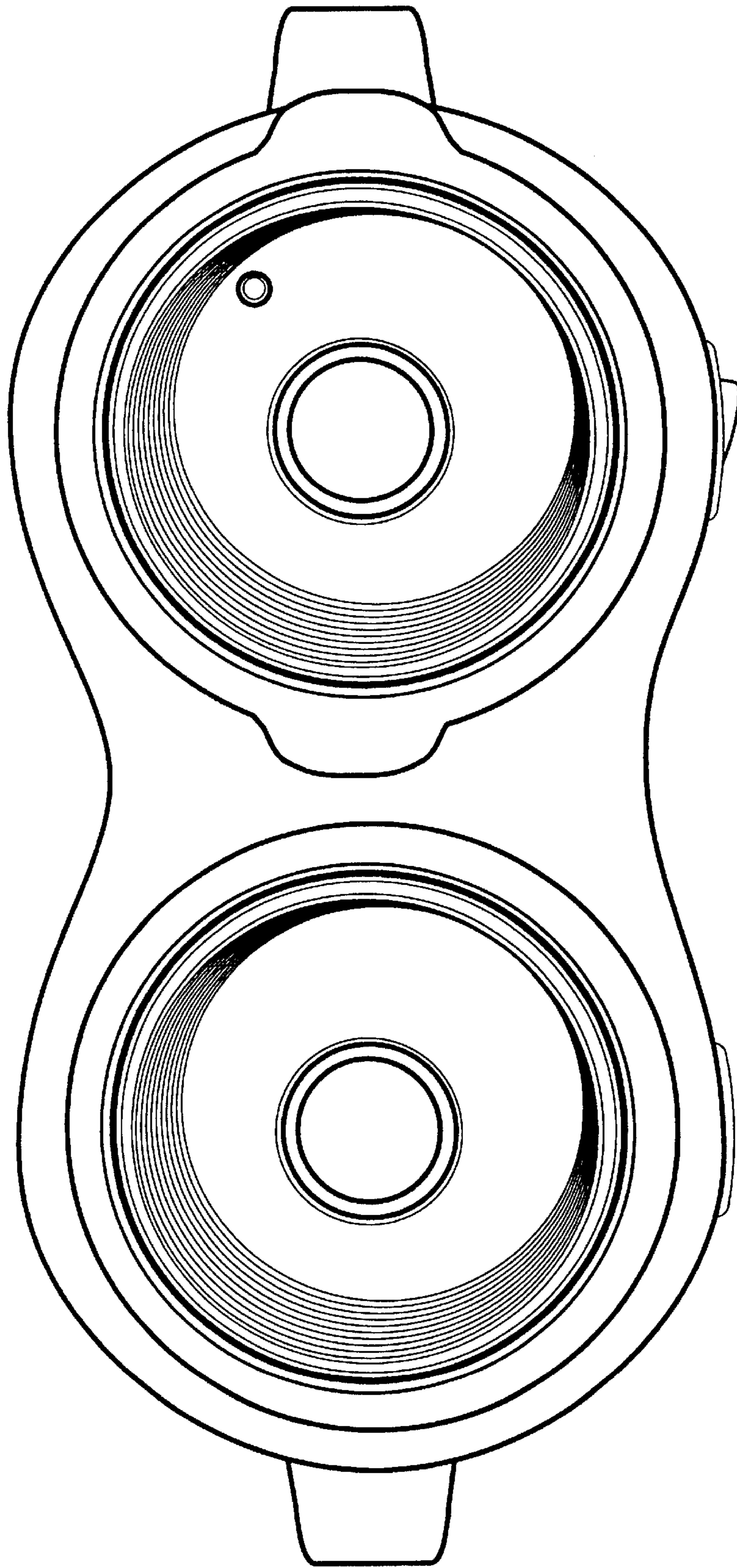


Figure 6

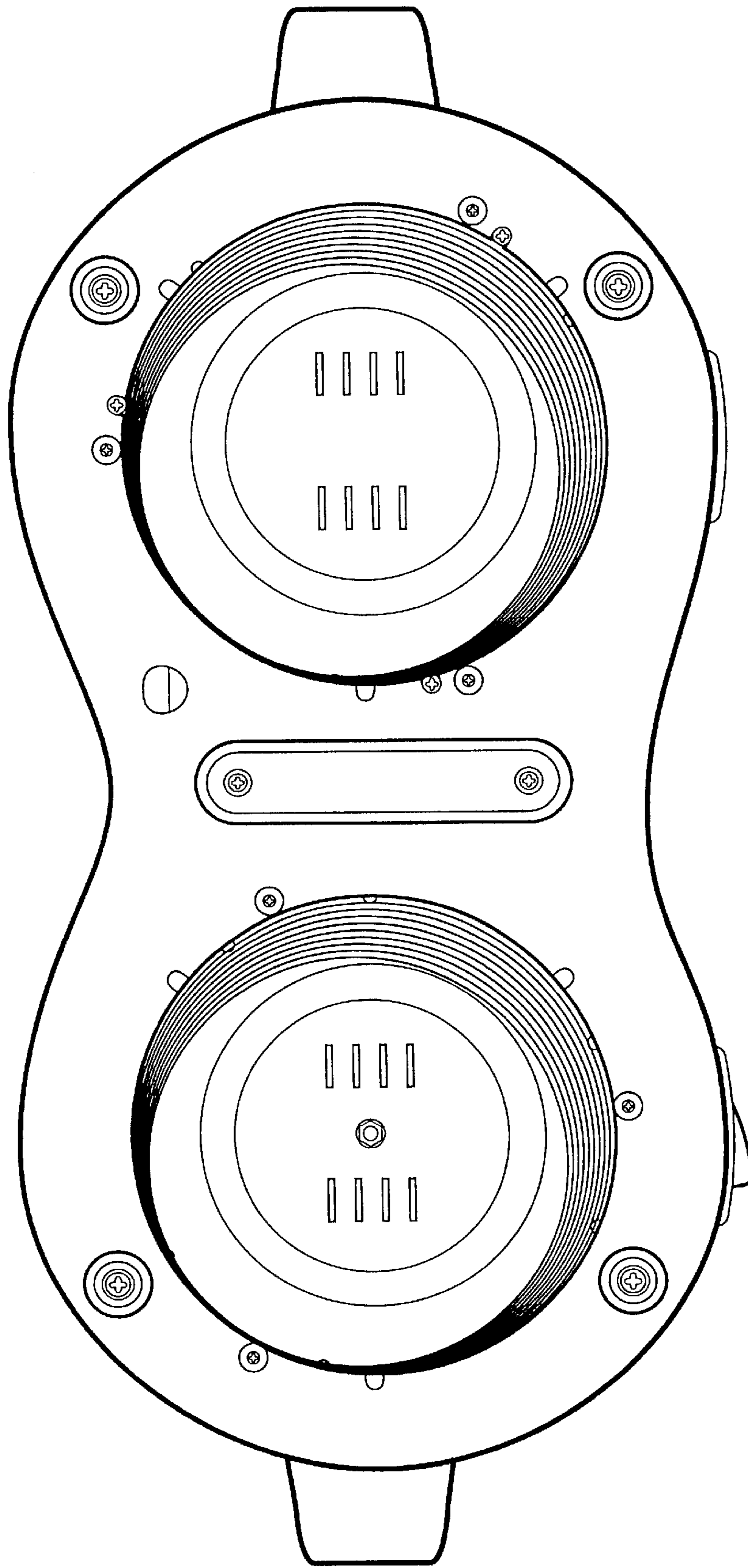


Figure 7