



US00D488669S

(12) **United States Design Patent**  
**Tse**

(10) **Patent No.:** **US D488,669 S**

(45) **Date of Patent:** **\*\* Apr. 20, 2004**

(54) **CHAFING DISH**

D433,272 S \* 11/2000 Park ..... D7/355  
D437,181 S \* 2/2001 Park ..... D7/355

(75) Inventor: **Shu Tse, Kowloon (CN)**

\* cited by examiner

(73) Assignee: **Chekiang Metalware Factory  
Company Limited, Kowloon (CN)**

*Primary Examiner*—Caron D. Veynar

(74) *Attorney, Agent, or Firm*—Alix, Yale & Ristas, LLP

(\*\*) Term: **14 Years**

(57) **CLAIM**

(21) Appl. No.: **29/178,264**

The ornamental design for a chafing dish, as shown and described.

(22) Filed: **Mar. 24, 2003**

(30) **Foreign Application Priority Data**

**DESCRIPTION**

Nov. 12, 2002 (HK) ..... 0211853

FIG. 1 is a rear perspective view of a chafing dish showing my new design;

(51) **LOC (7) Cl.** ..... **07-02**

FIG. 2 is a front elevational view thereof;

(52) **U.S. Cl.** ..... **D7/355**

FIG. 3 is a rear elevational view thereof;

(58) **Field of Search** ..... D7/323, 354-361,  
D7/365-367; 99/324, 339, 340, 357; 219/620-622,  
429-438, 451.1; 220/573.1-574, 252; 248/147

FIG. 4 is a top plan view thereof;

FIG. 5 is a bottom plan view thereof;

FIG. 6 is a right side elevational view thereof, the left side elevational view thereof being identical; and,

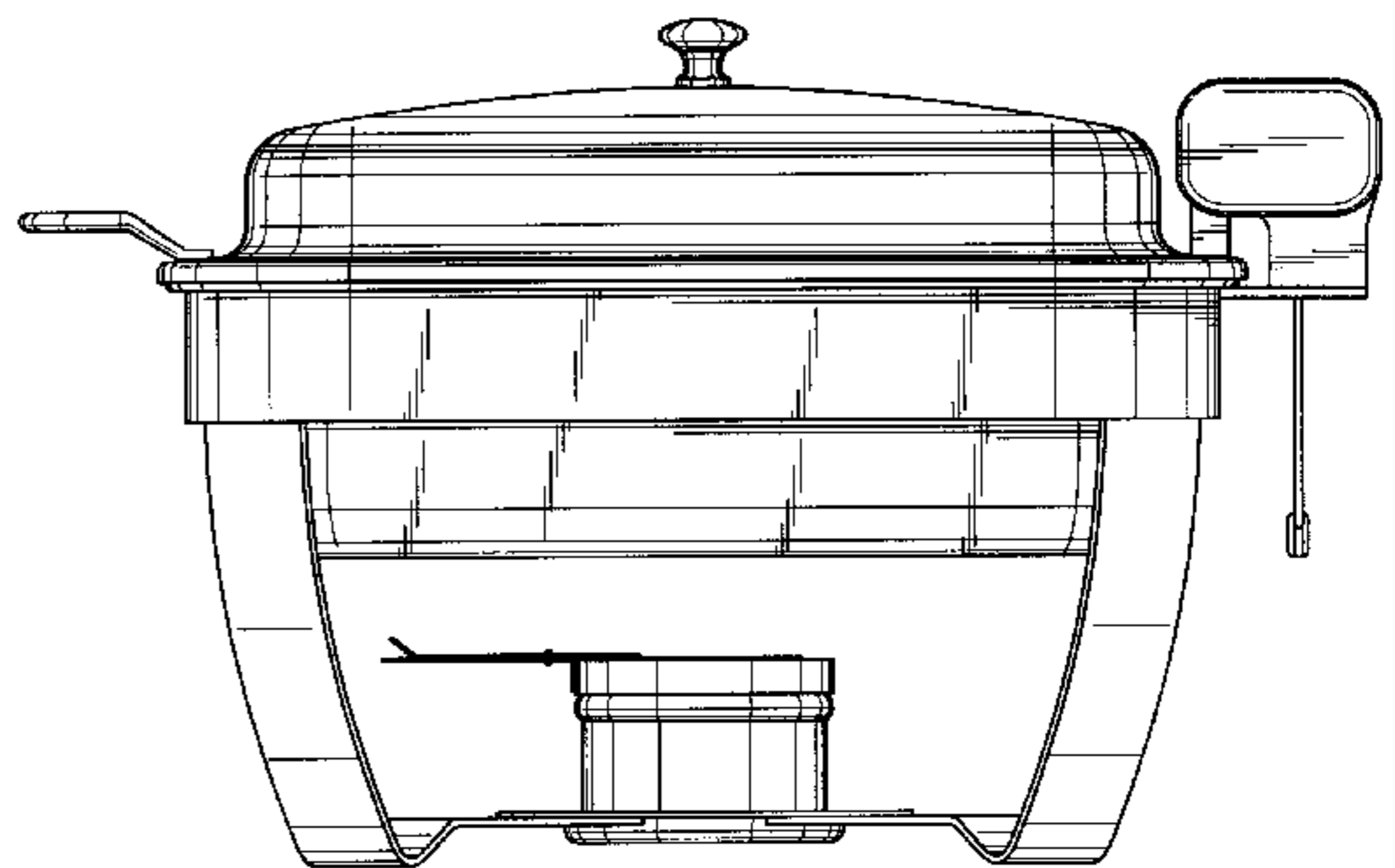
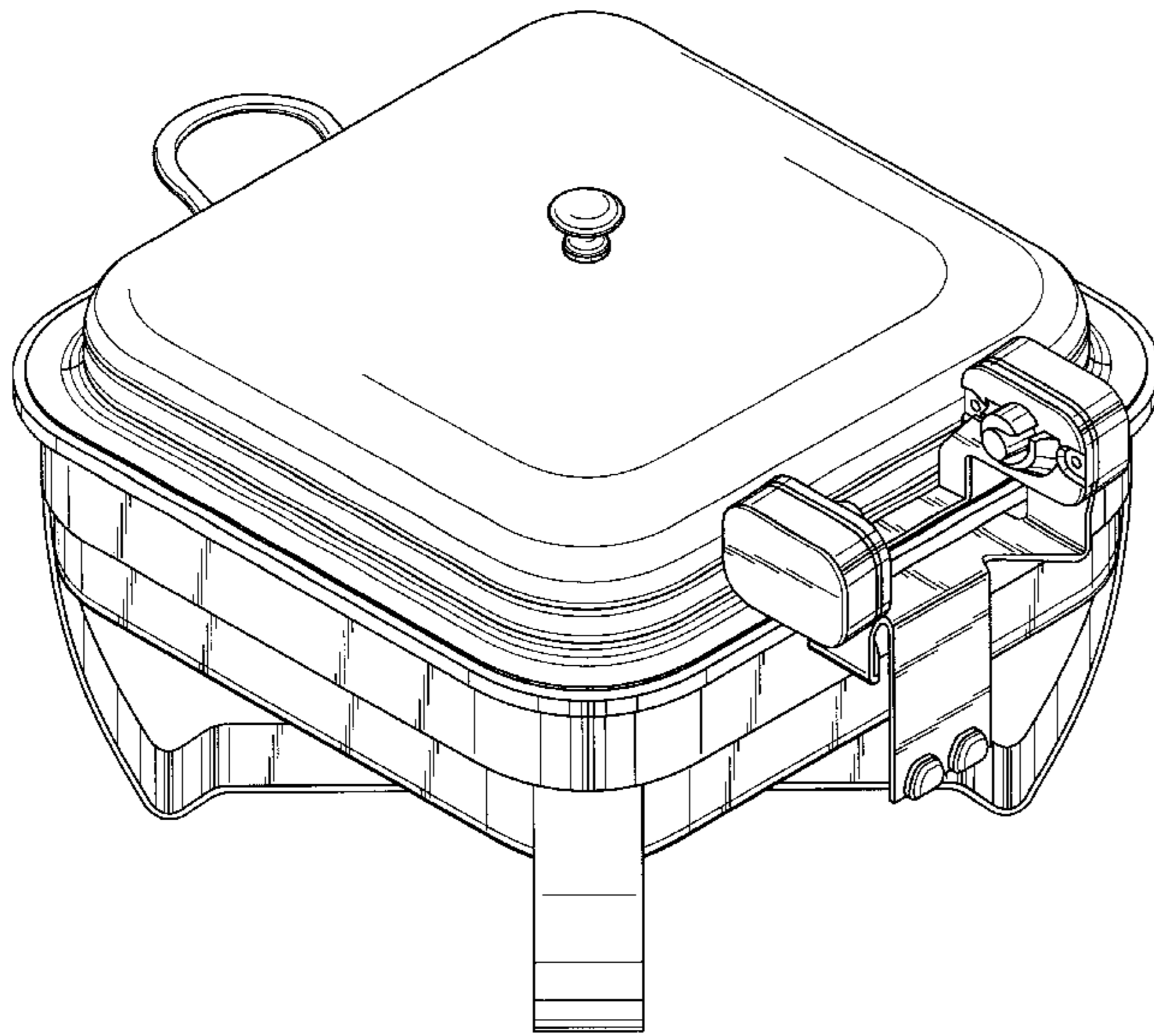
FIG. 7 is a right side elevational view thereof wherein the lid is in an open position.

(56) **References Cited**

**U.S. PATENT DOCUMENTS**

D423,278 S \* 4/2000 Briner ..... D7/355

**1 Claim, 6 Drawing Sheets**



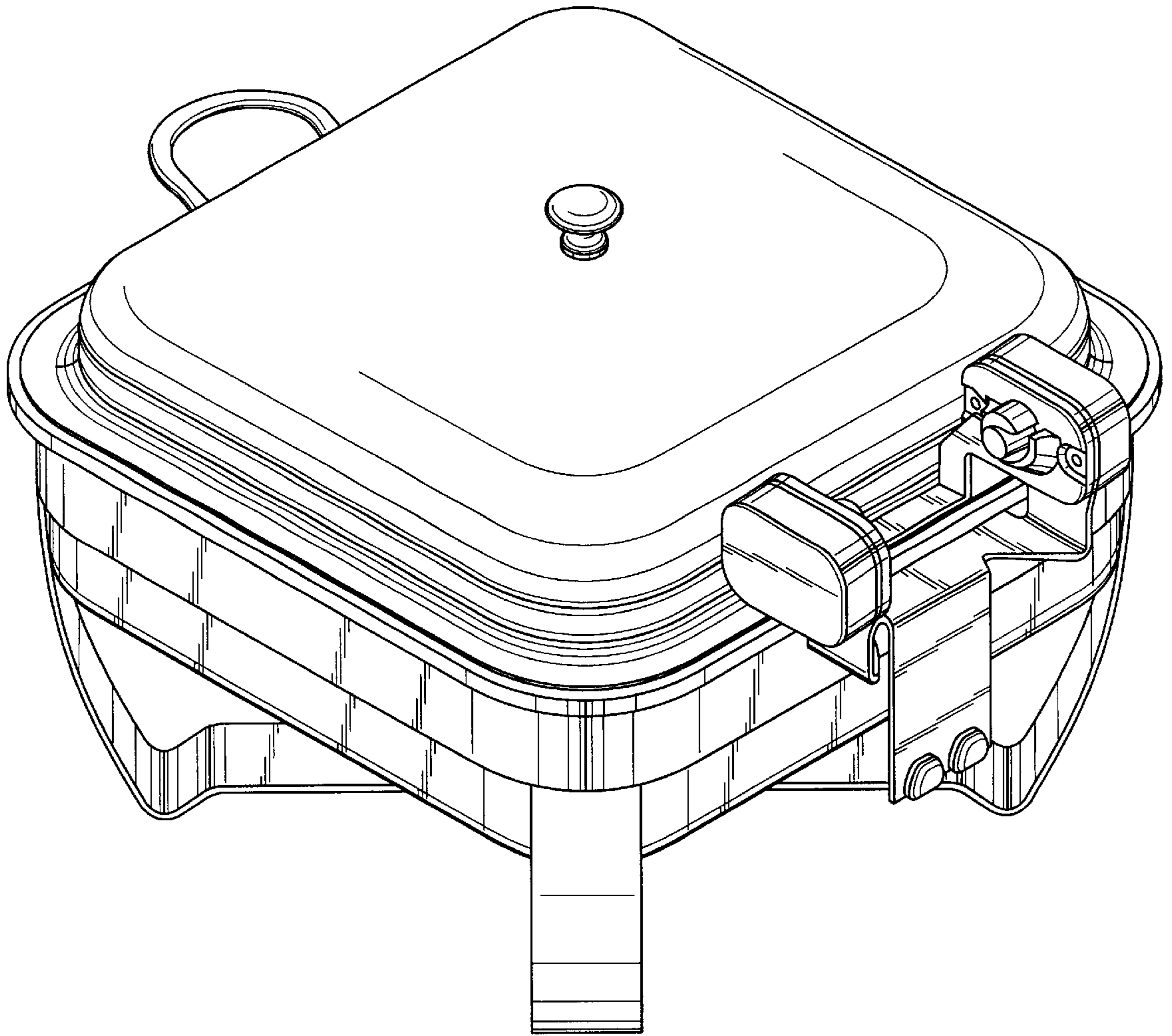


FIG. 1

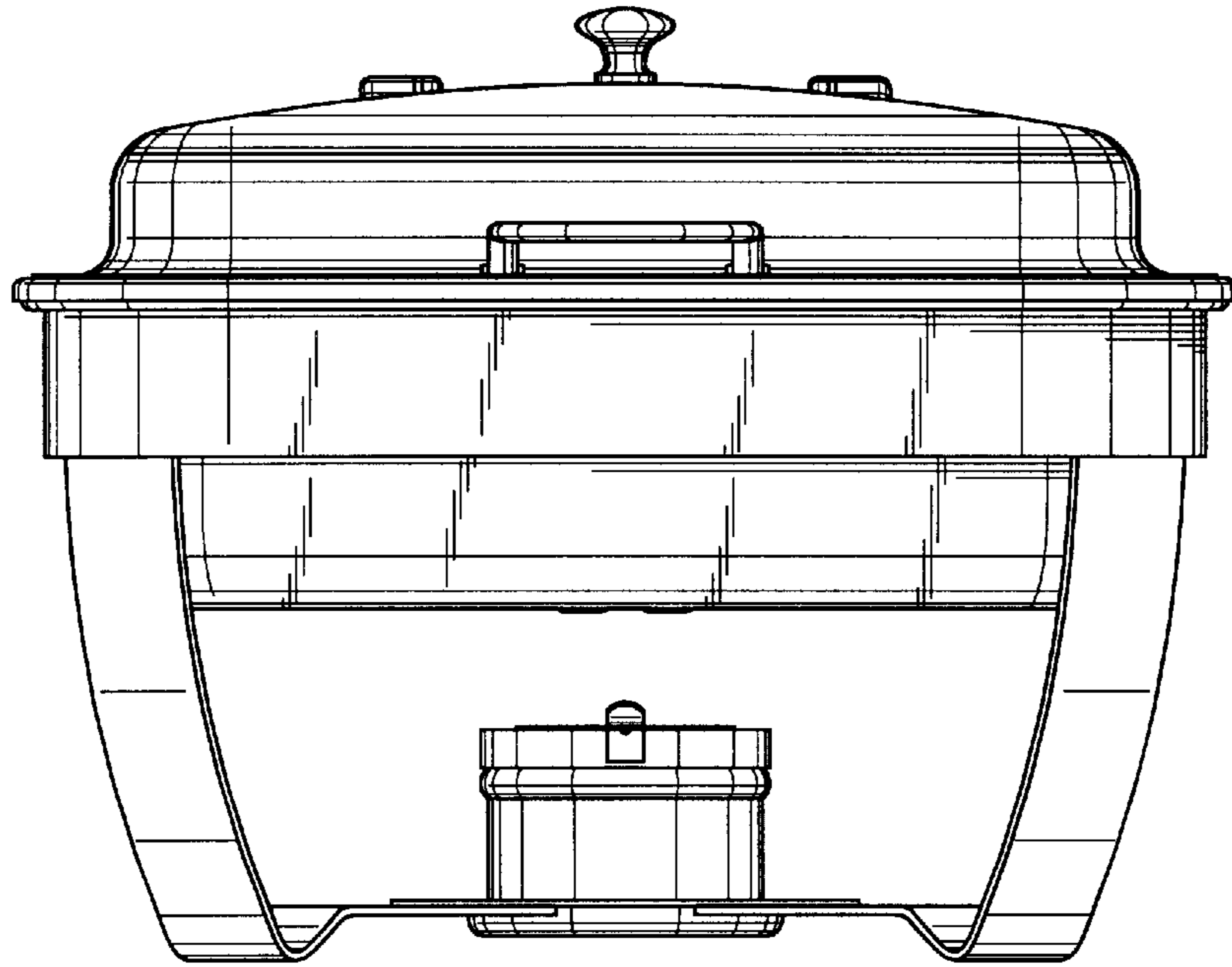


FIG. 2

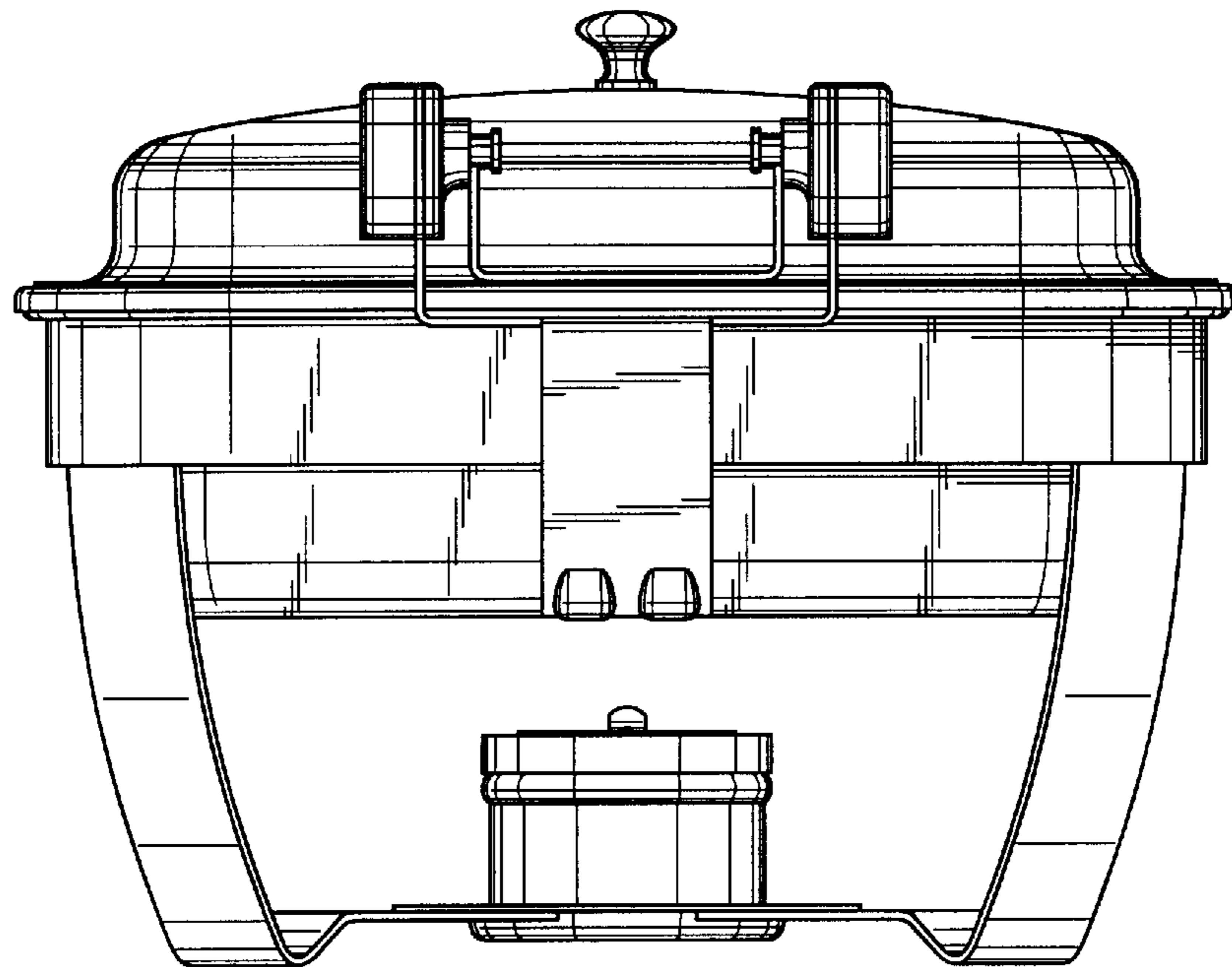


FIG. 3

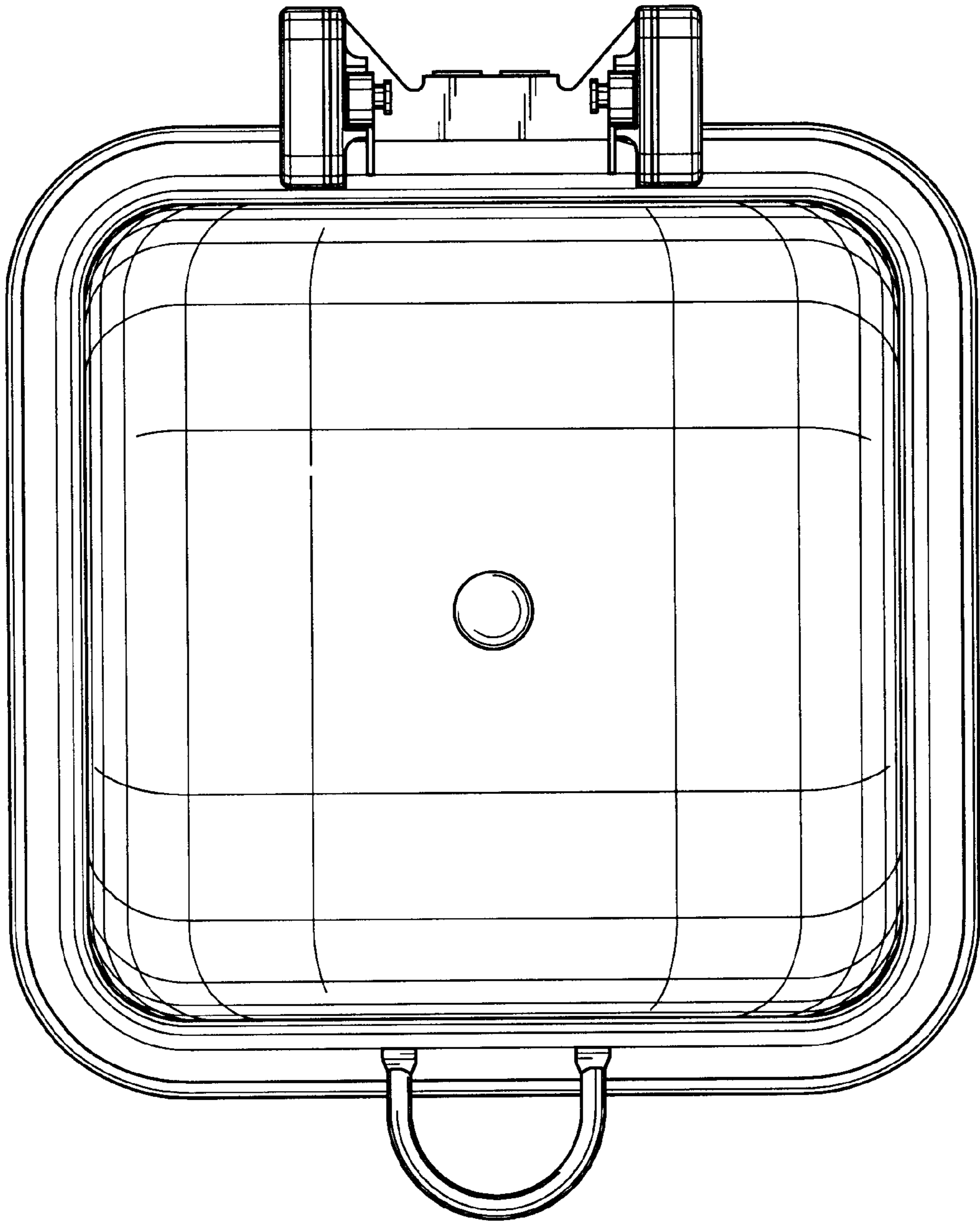


FIG. 4

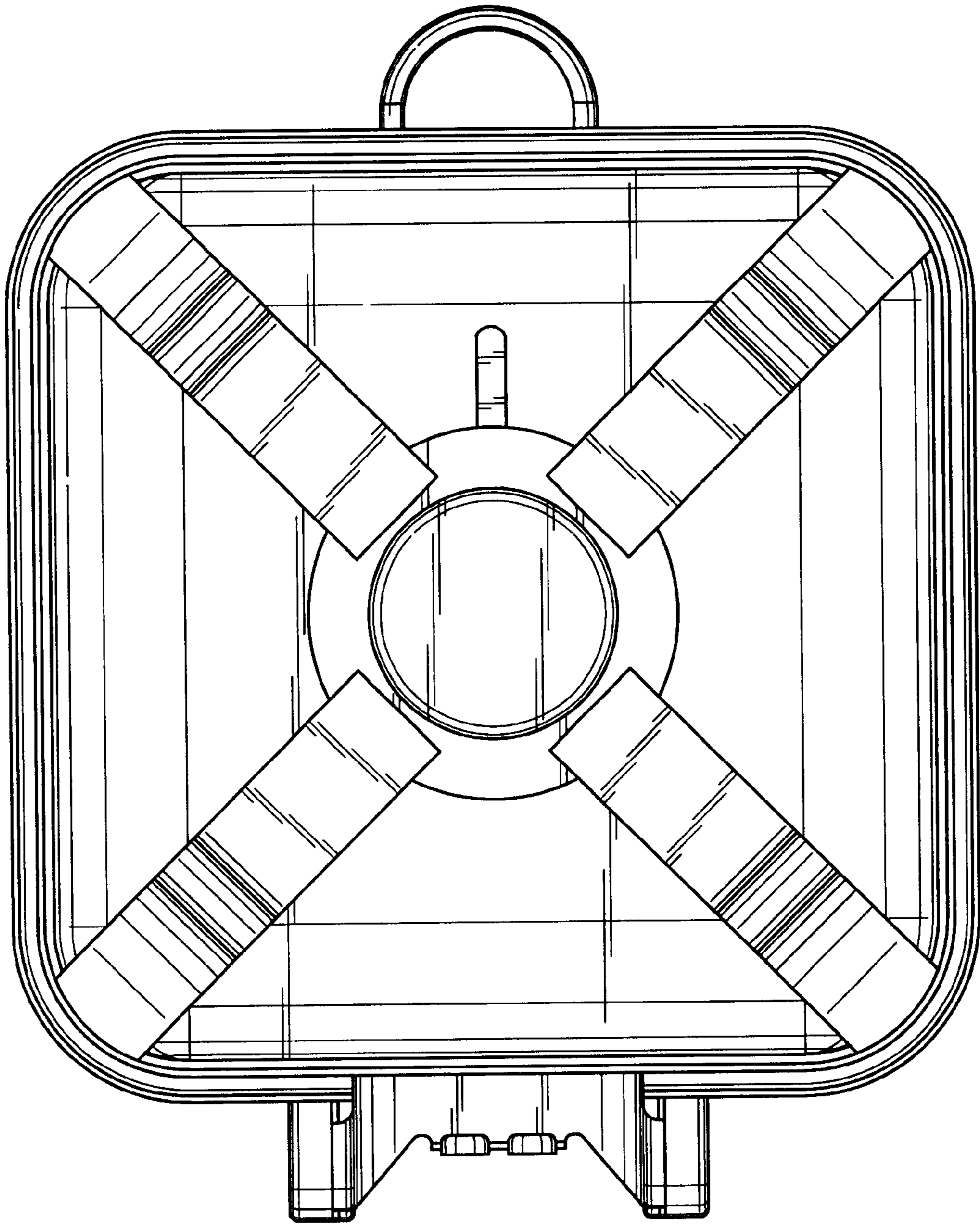


FIG. 5

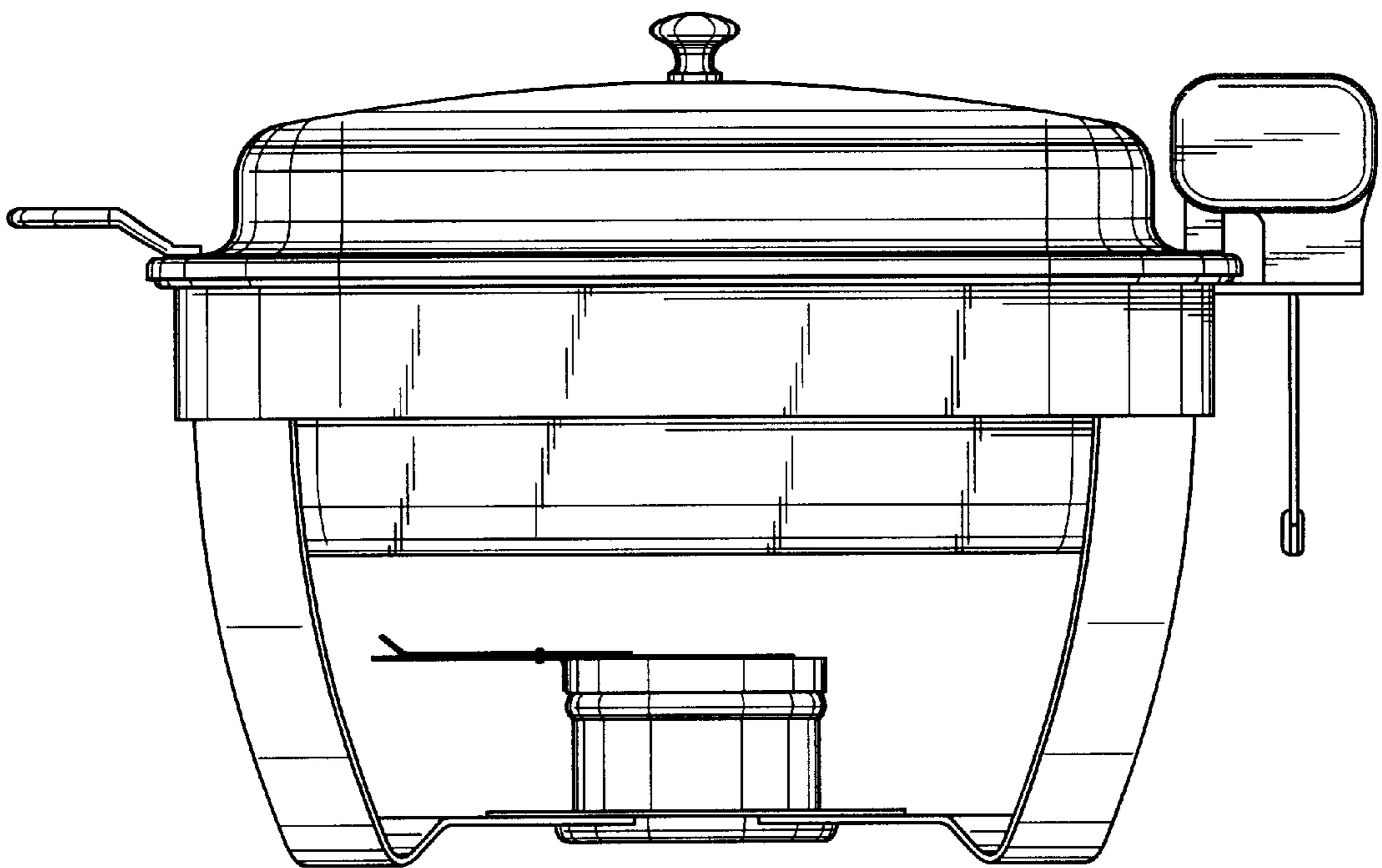


FIG. 6

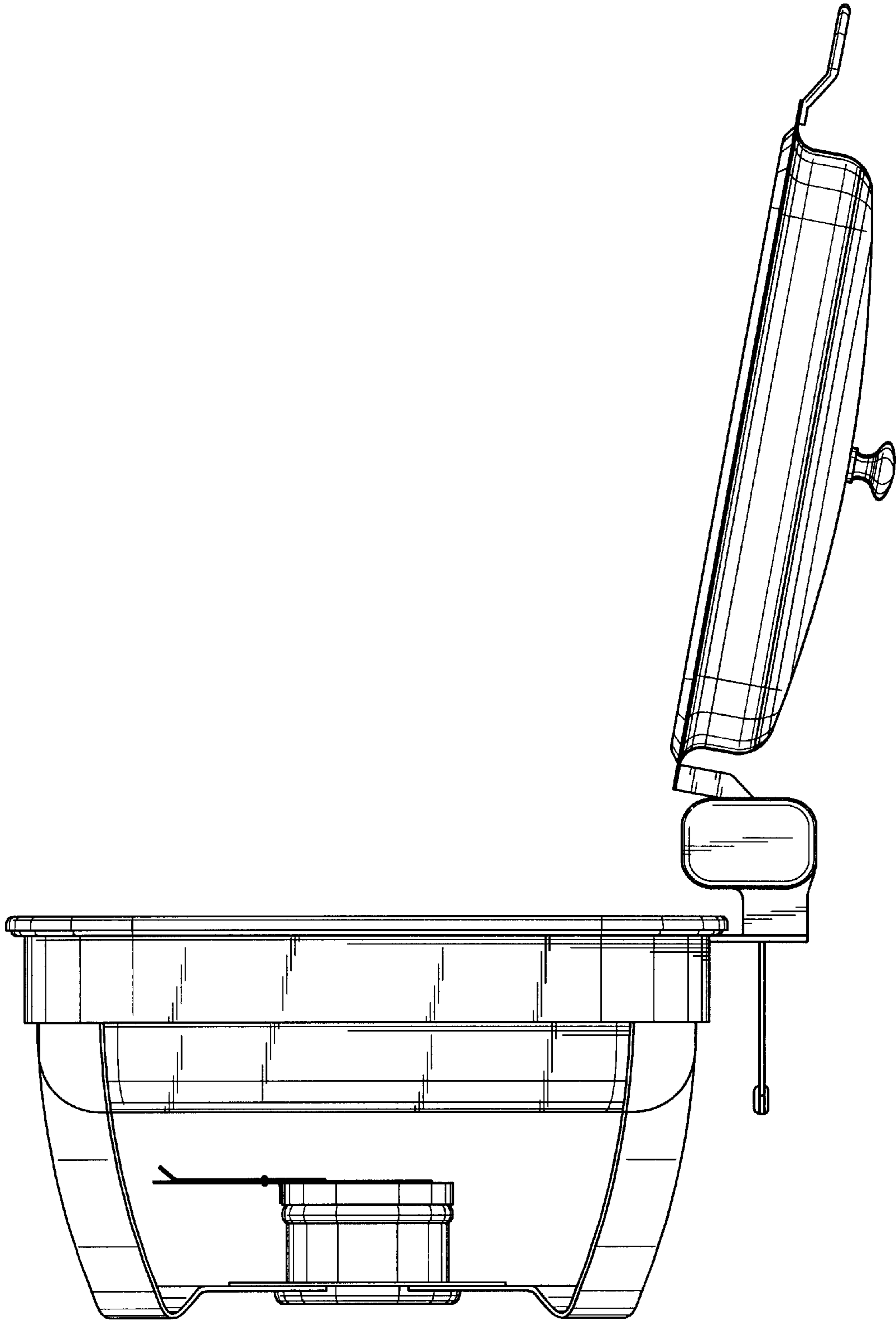


FIG. 7