



US00D488667S

(12) **United States Design Patent**
Seum et al.

(10) **Patent No.: US D488,667 S**

(45) **Date of Patent: ** Apr. 20, 2004**

(54) **WAFFLE MAKER**

(75) Inventors: **Michael T. Seum**, St. Joseph, MI (US);
John B. Ledingham, St. Joseph, MI
(US); **Philip M. Thompson**, St. Joseph,
MI (US); **Jonathan M. Dalton**,
Portland, OR (US); **Jamian Cobbett**,
Portland, OR (US)

(73) Assignee: **Whirlpool Corporation**, Benton
Harbor, MI (US)

(**) Term: **14 Years**

(21) Appl. No.: **29/178,409**

(22) Filed: **Mar. 25, 2003**

(51) **LOC (7) Cl.** **07-02**

(52) **U.S. Cl.** **D7/352**

(58) **Field of Search** D7/323, 332-337,
D7/352, 353; 99/323-325, 327-333, 341,
342, 372-384, 392-395, 400, 401, 444-450,
339, 340, 349; 219/492-497, 521, 525;
426/138, 441, 442, 501, 514, 523

(56) **References Cited**

U.S. PATENT DOCUMENTS

D266,733 S * 11/1982 Reunanen D7/359
5,636,564 A * 6/1997 Weiss 99/332
6,167,796 B1 * 1/2001 Wright et al. 99/332
D465,965 S * 11/2002 Dalton et al. D7/352

* cited by examiner

Primary Examiner—Caron D. Veynar

(74) *Attorney, Agent, or Firm*—John F. Colligan; Robert O.
Rice; Stephen Krefman

(57) **CLAIM**

The ornamental design for a waffle maker, as shown and
described.

DESCRIPTION

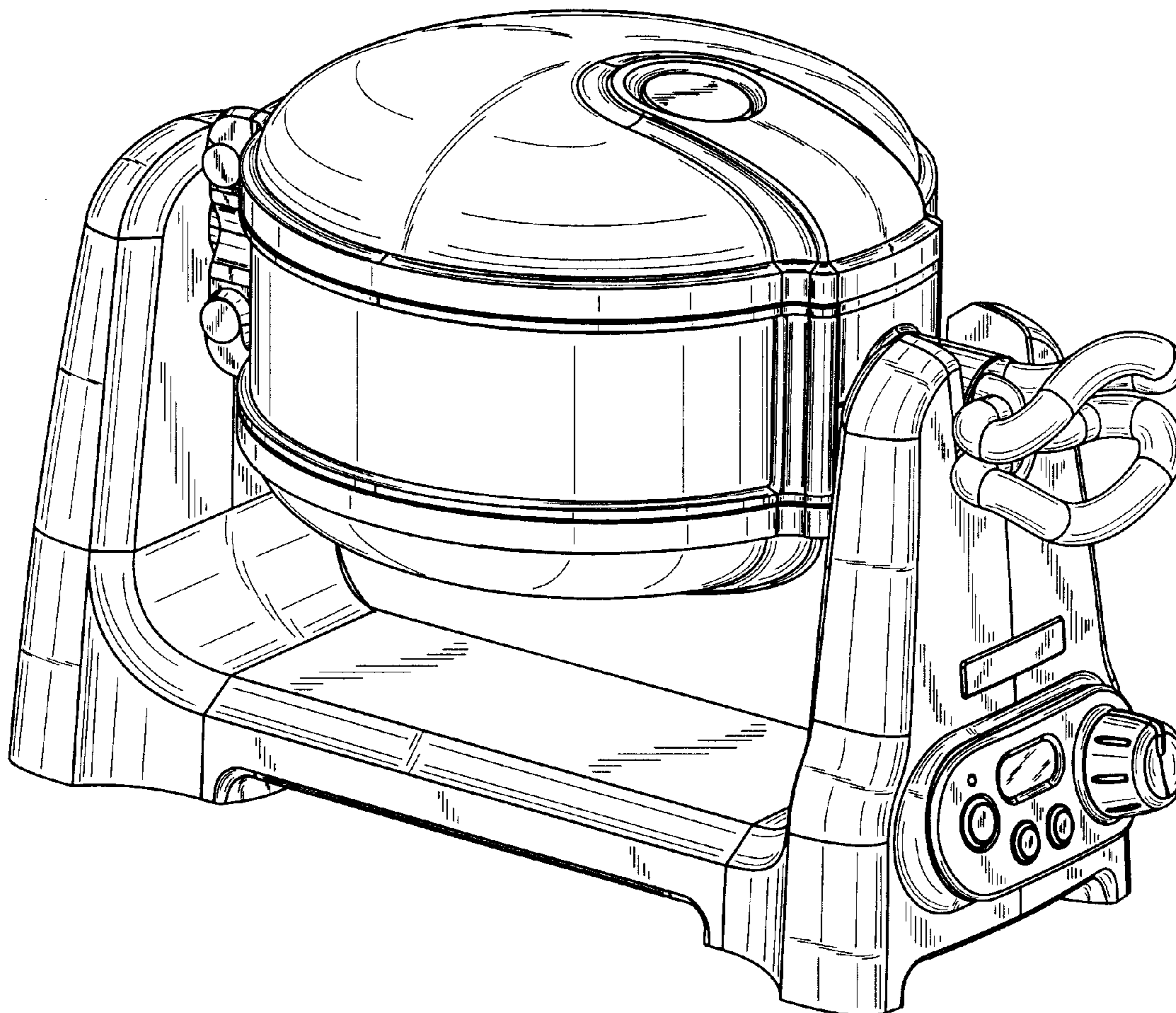
FIG. 1 is a front perspective view of the waffle maker
showing the new design;

FIG. 2 is a front elevational view thereof;

FIG. 3 is a right side elevational view thereof; and,

FIG. 4 is a top plan view thereof.

1 Claim, 4 Drawing Sheets



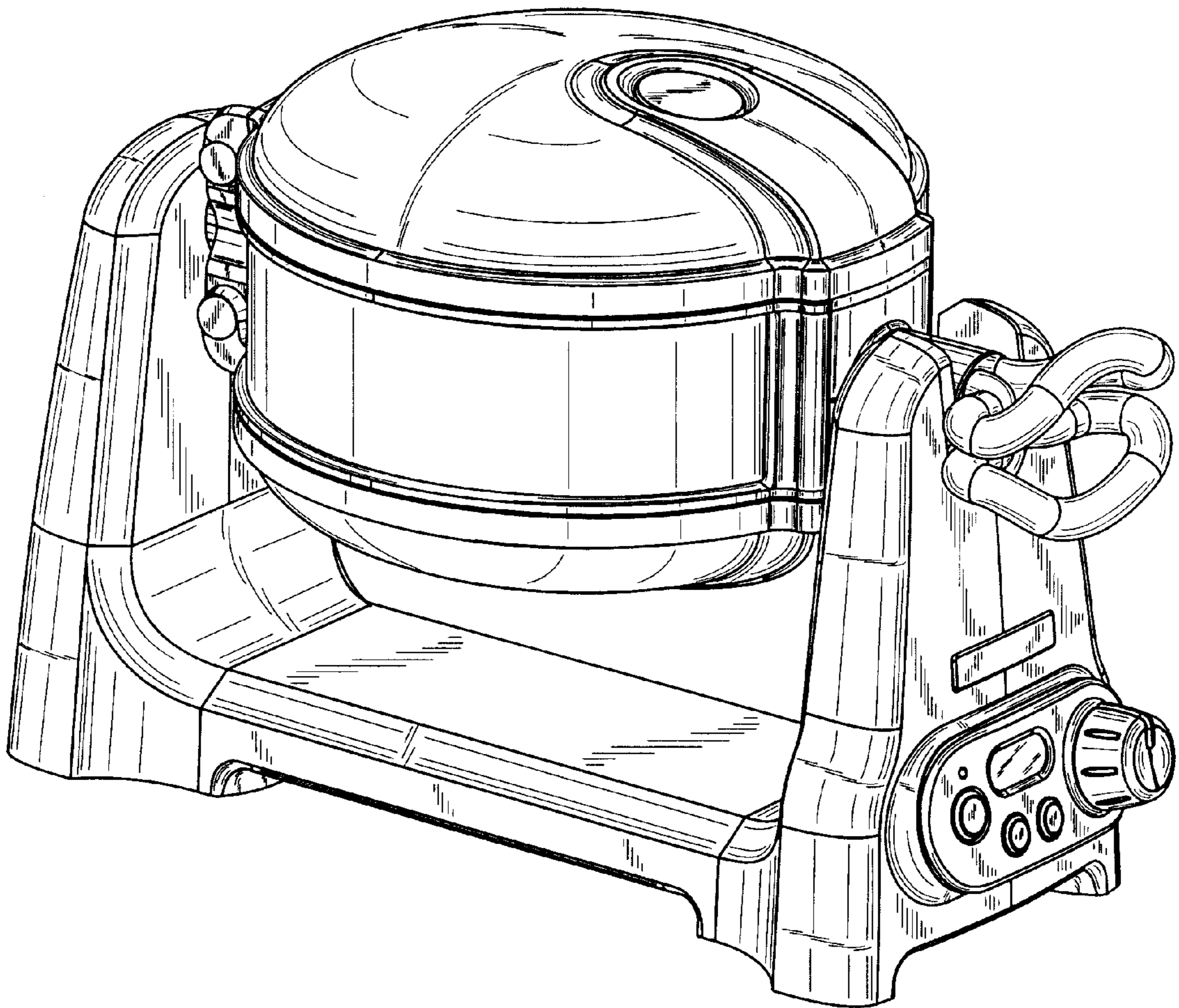


Fig. 1

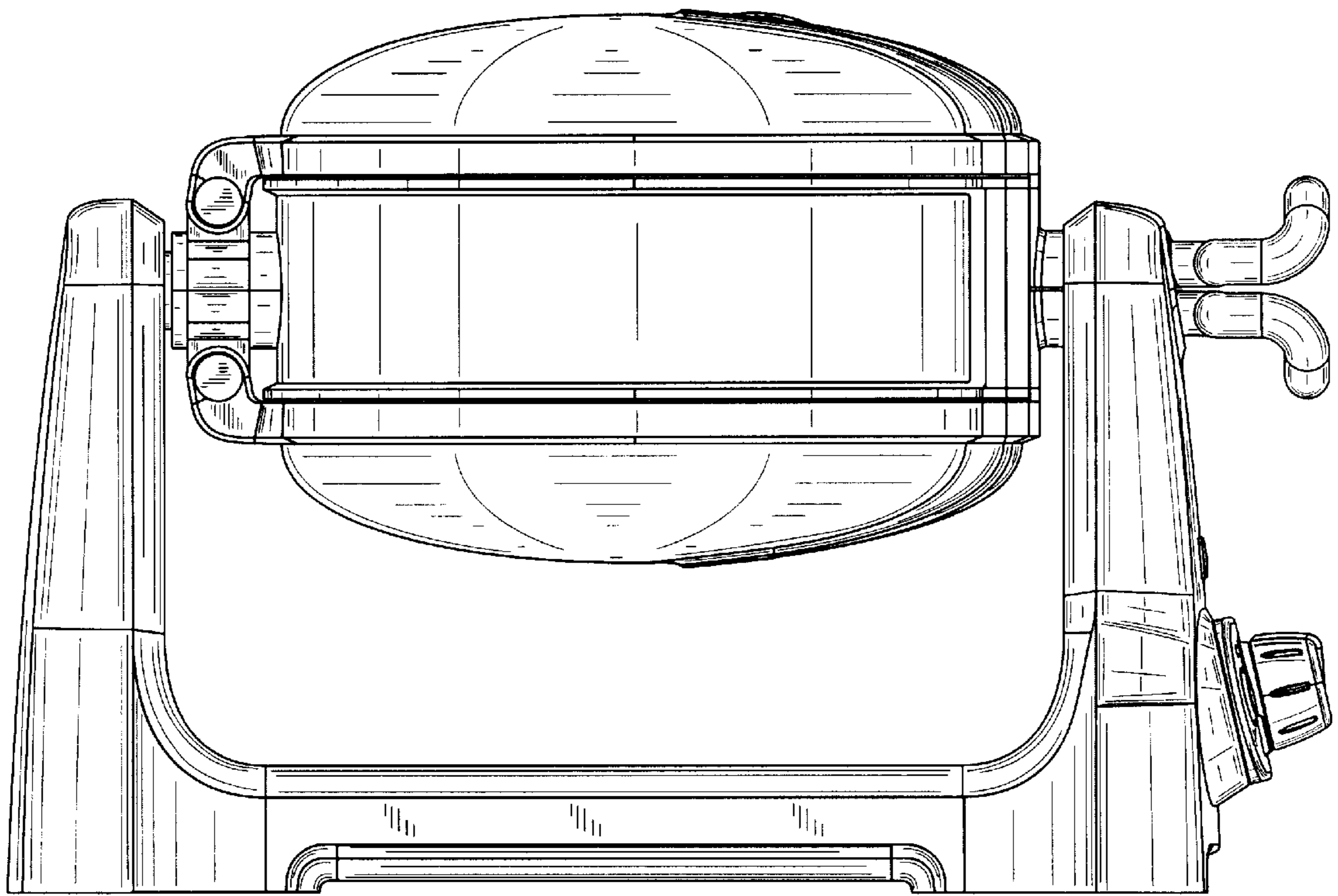


Fig. 2

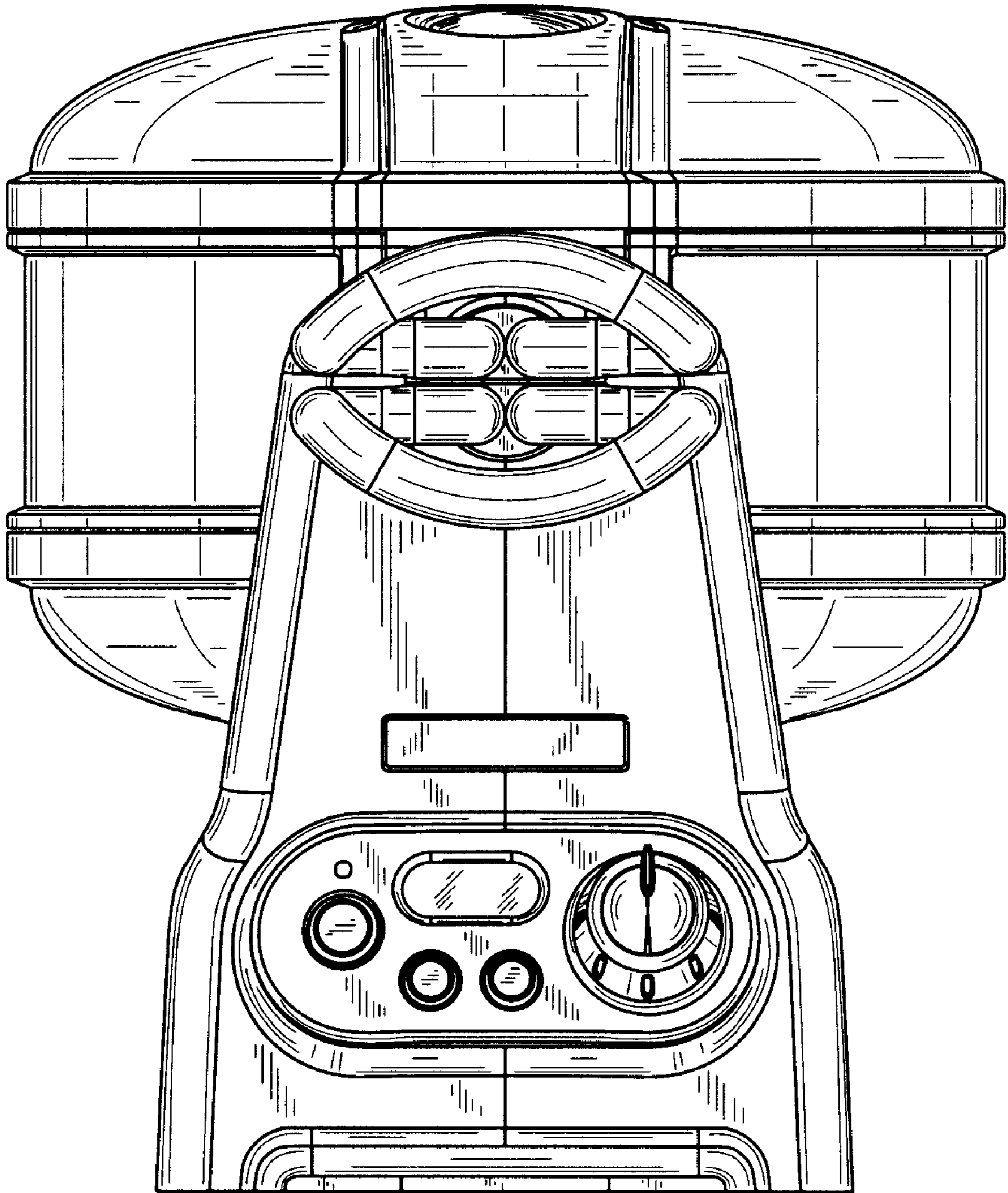


Fig. 3

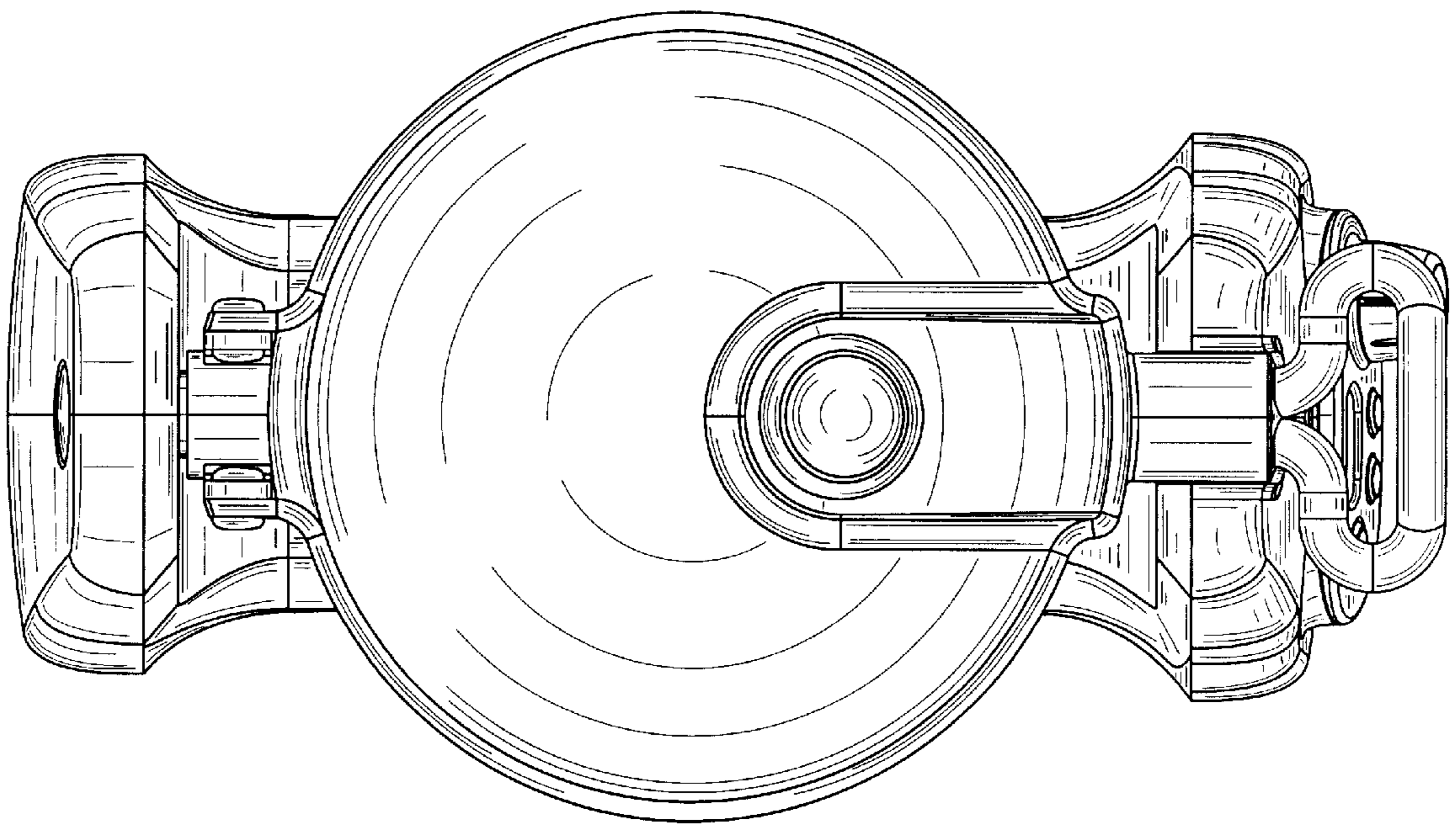


Fig. 4