



US00D488665S

(12) **United States Design Patent**  
**Zhi**

(10) **Patent No.:** **US D488,665 S**

(45) **Date of Patent:** **\*\* Apr. 20, 2004**

(54) **BARBECUE GRILL**

(75) Inventor: **Sun Zhou Zhi**, Guangdong (CN)

(73) Assignee: **AB Far East Technologies, Inc.**,  
Orange Park, FL (US)

(\*\*) Term: **14 Years**

(21) Appl. No.: **29/151,988**

(22) Filed: **Dec. 10, 2001**

(30) **Foreign Application Priority Data**

Jun. 8, 2001 (CN) ..... 1326117

(51) **LOC (7) Cl.** ..... **07-02**

(52) **U.S. Cl.** ..... **D7/332**

(58) **Field of Search** ..... D7/332-337, 402-404;  
126/25 R, 25 A, 25 AA, 29-30, 41 R, 9 R,  
9 A, 9 B, 38; 99/419, 421 R, 421 H, 421 HV

(56) **References Cited**

**U.S. PATENT DOCUMENTS**

|             |   |        |                  |       |         |
|-------------|---|--------|------------------|-------|---------|
| D235,088 S  | * | 5/1975 | Erickson         | ..... | D7/332  |
| D243,310 S  | * | 2/1977 | Heberling        | ..... | D7/337  |
| D282,811 S  | * | 3/1986 | Best             | ..... | D7/332  |
| D283,391 S  | * | 4/1986 | McNiel           | ..... | D7/332  |
| D310,025 S  | * | 8/1990 | Foley            | ..... | D9/518  |
| D337,237 S  | * | 7/1993 | Frizell          | ..... | D7/332  |
| 5,405,039 A | * | 4/1995 | Komura           | ..... | 220/269 |
| D360,340 S  | * | 7/1995 | Hitch et al.     | ..... | D7/604  |
| D370,380 S  | * | 6/1996 | McGourthy et al. | ..... | D7/332  |

D381,551 S \* 7/1997 Sternberg ..... D7/332

D393,730 S \* 4/1998 Petruzzi ..... D26/38

D435,998 S \* 1/2001 Mak ..... D7/332

D439,793 S \* 4/2001 Mak ..... D7/332

D447,913 S \* 9/2001 Cragg ..... D7/402

**OTHER PUBLICATIONS**

HAVABALL Promotional Flyer—Pat D314,882 noted on brochure.

Anheuser Busch 1984 Licensee Catalog (Aug. 30, 2002).

\* cited by examiner

*Primary Examiner*—Ruth McInroy

(74) *Attorney, Agent, or Firm*—Lawrence J. Gibney, Jr.

(57) **CLAIM**

The ornamental design for a barbecue grill, as shown and described.

**DESCRIPTION**

FIG. 1 is a front elevational view of a barbecue grill showing my new design;

FIG. 2 is a rear elevational view thereof;

FIG. 3 is a left side elevational view thereof

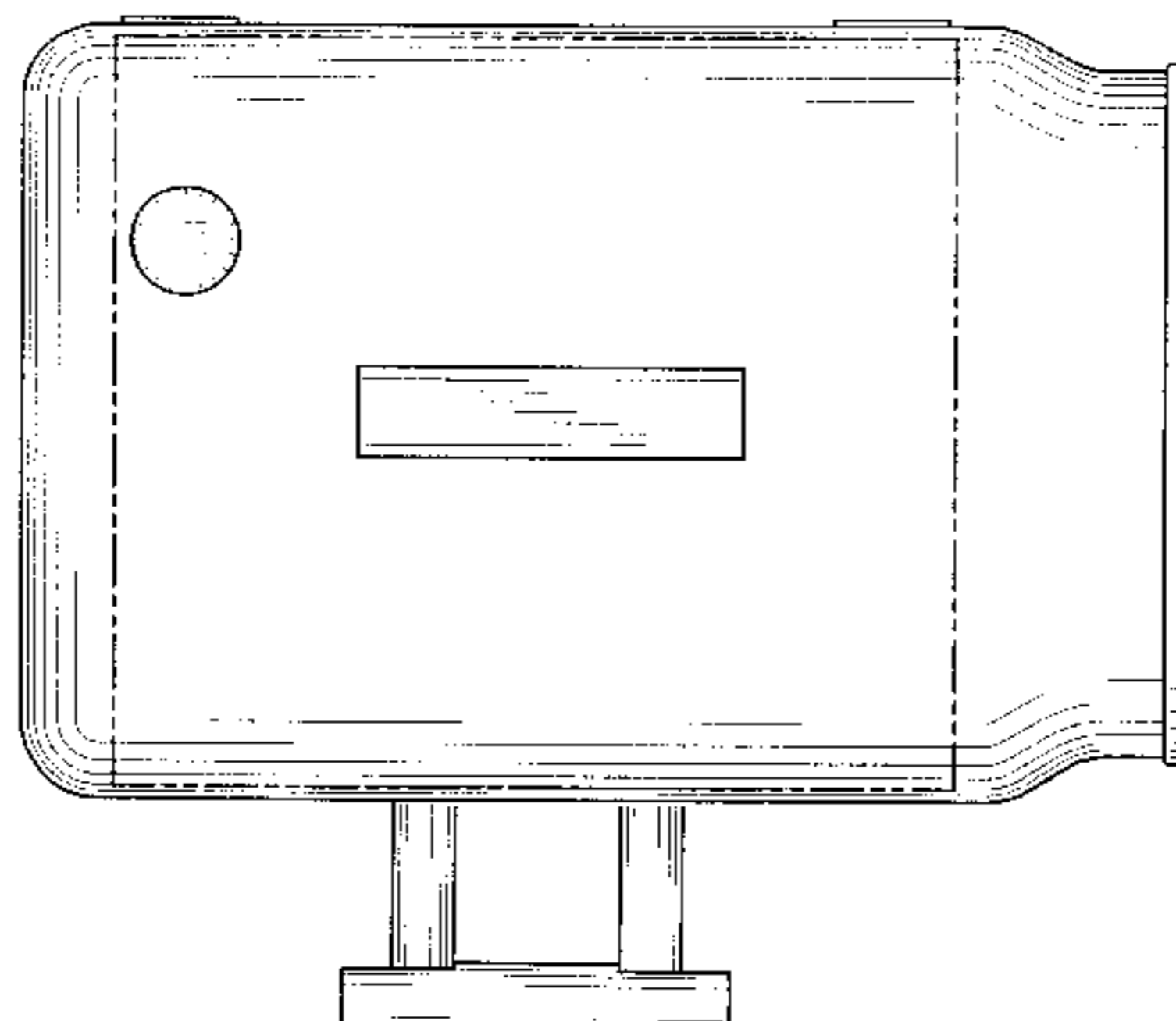
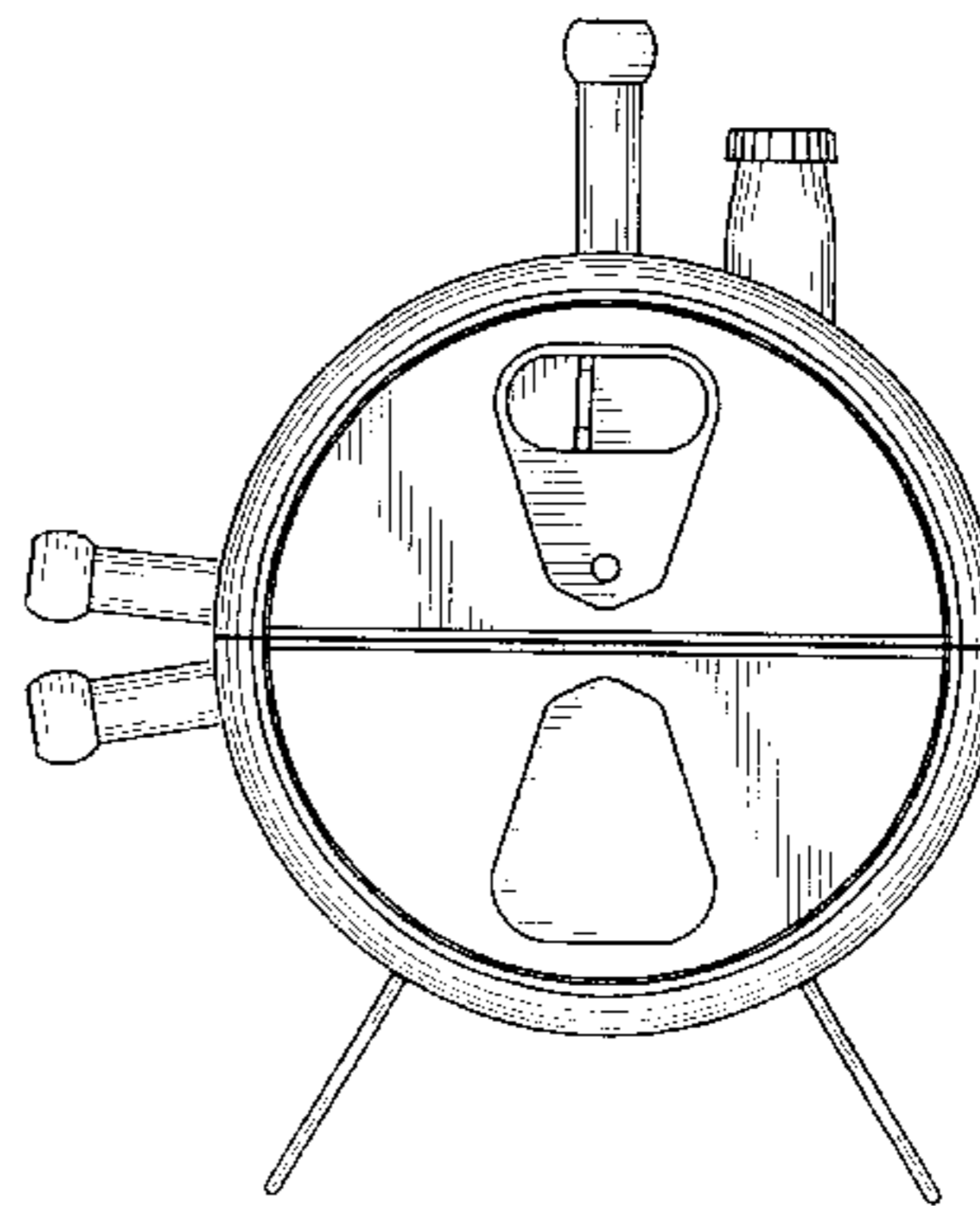
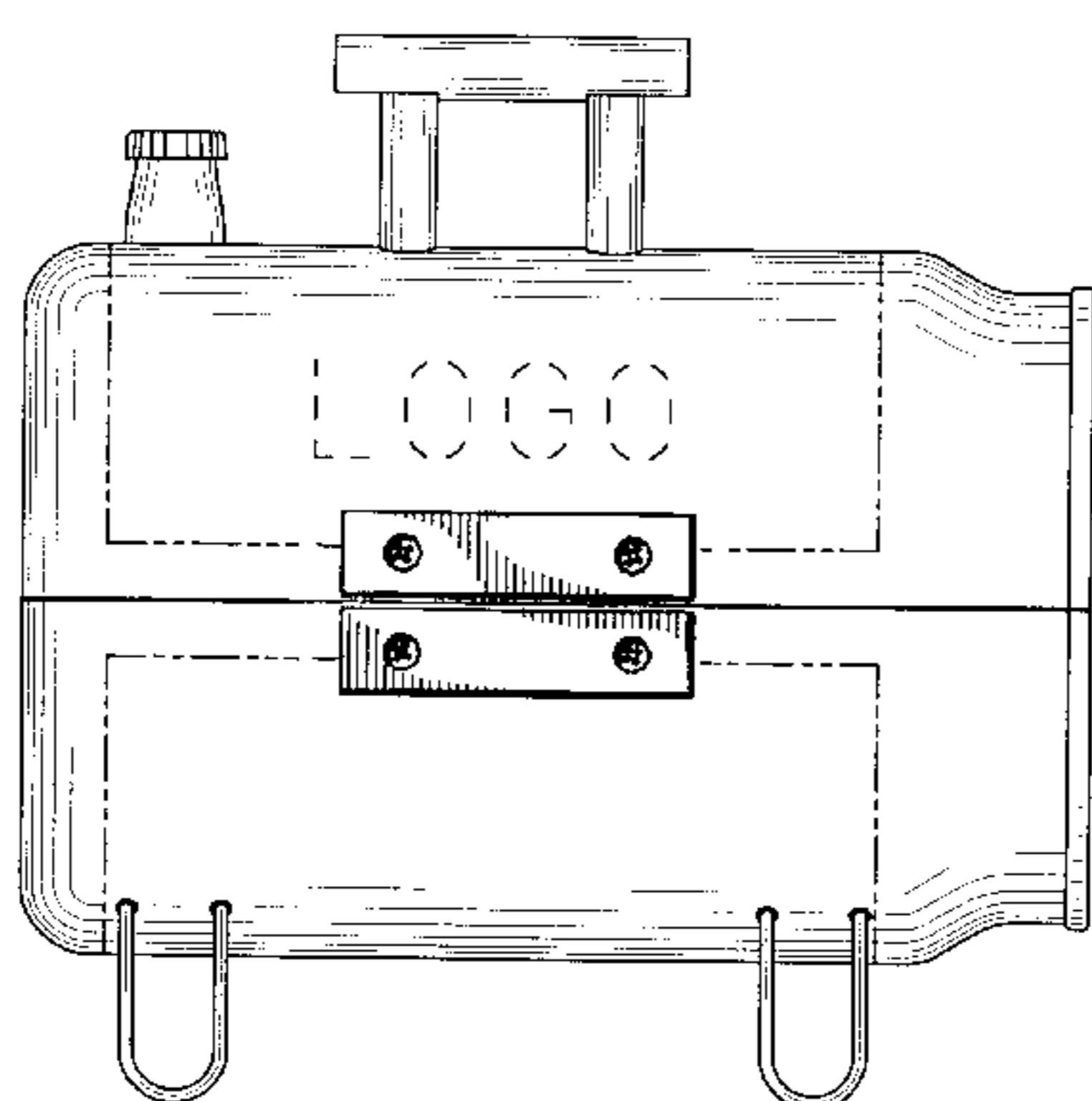
FIG. 4 is a right side elevational view thereof;

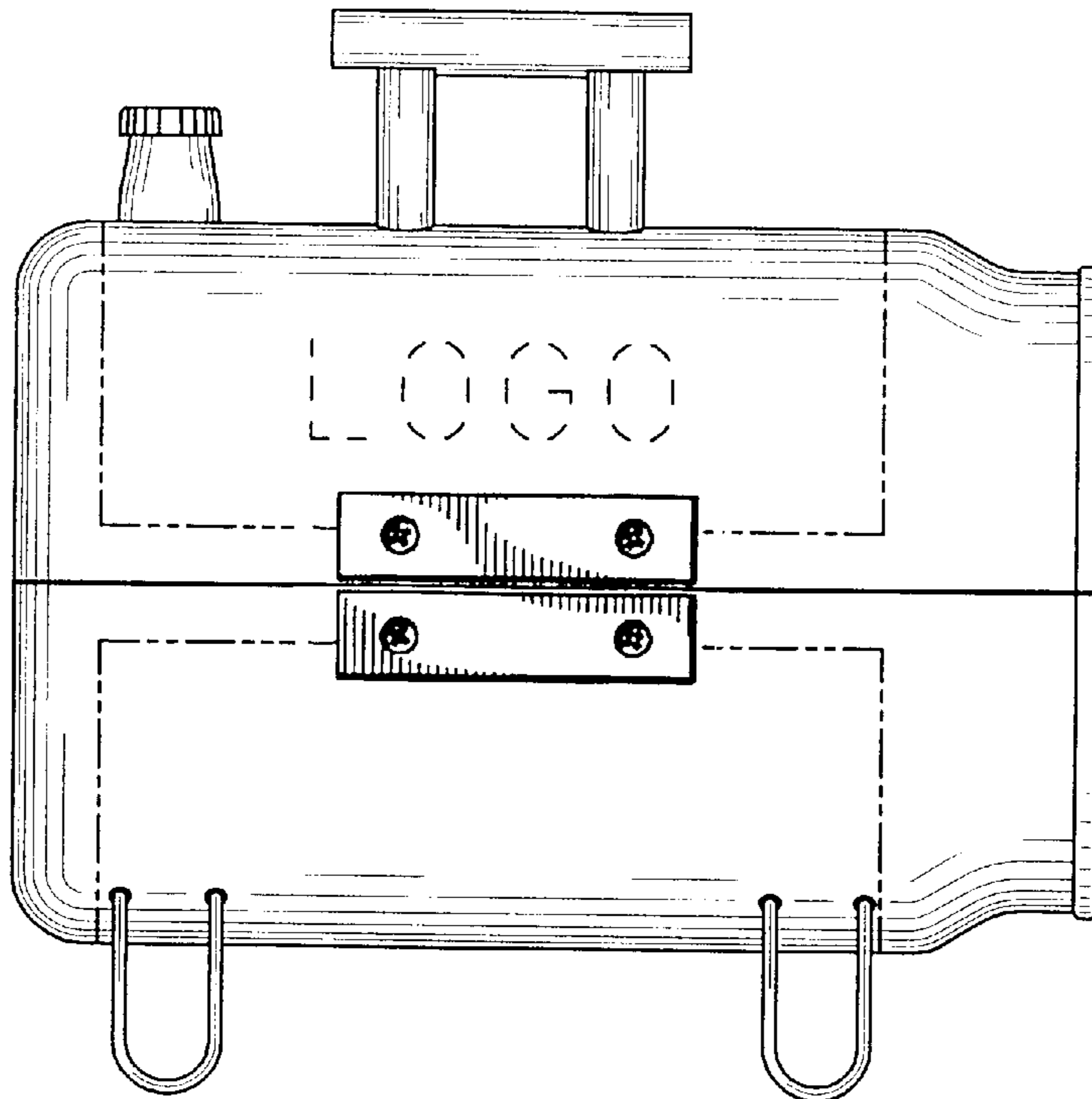
FIG. 5 is a top plan view thereof; and,

FIG. 6 is a bottom plan view thereof.

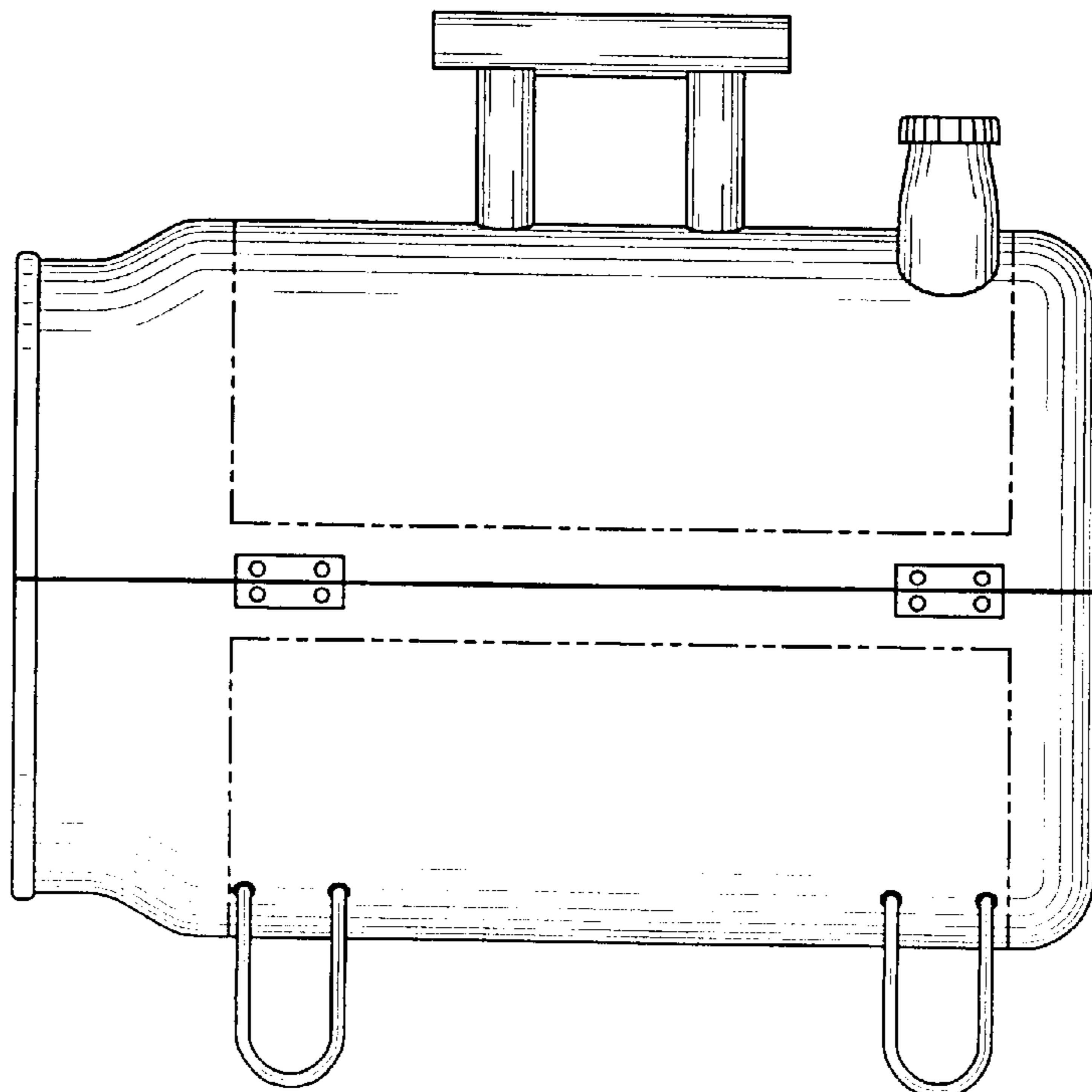
The details shown in broken lines are for illustrative purposes only and form no part of the claimed design.

**1 Claim, 3 Drawing Sheets**

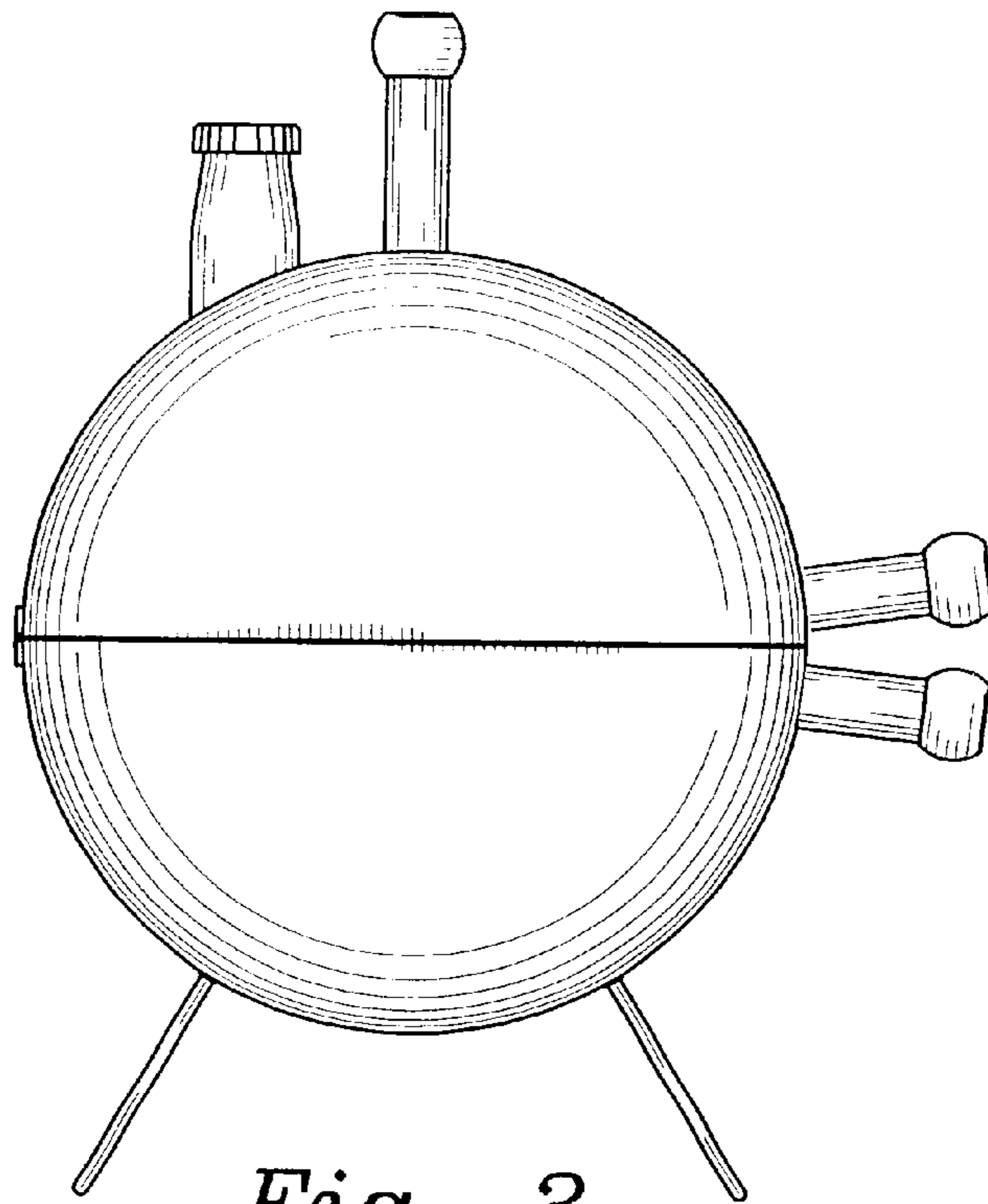




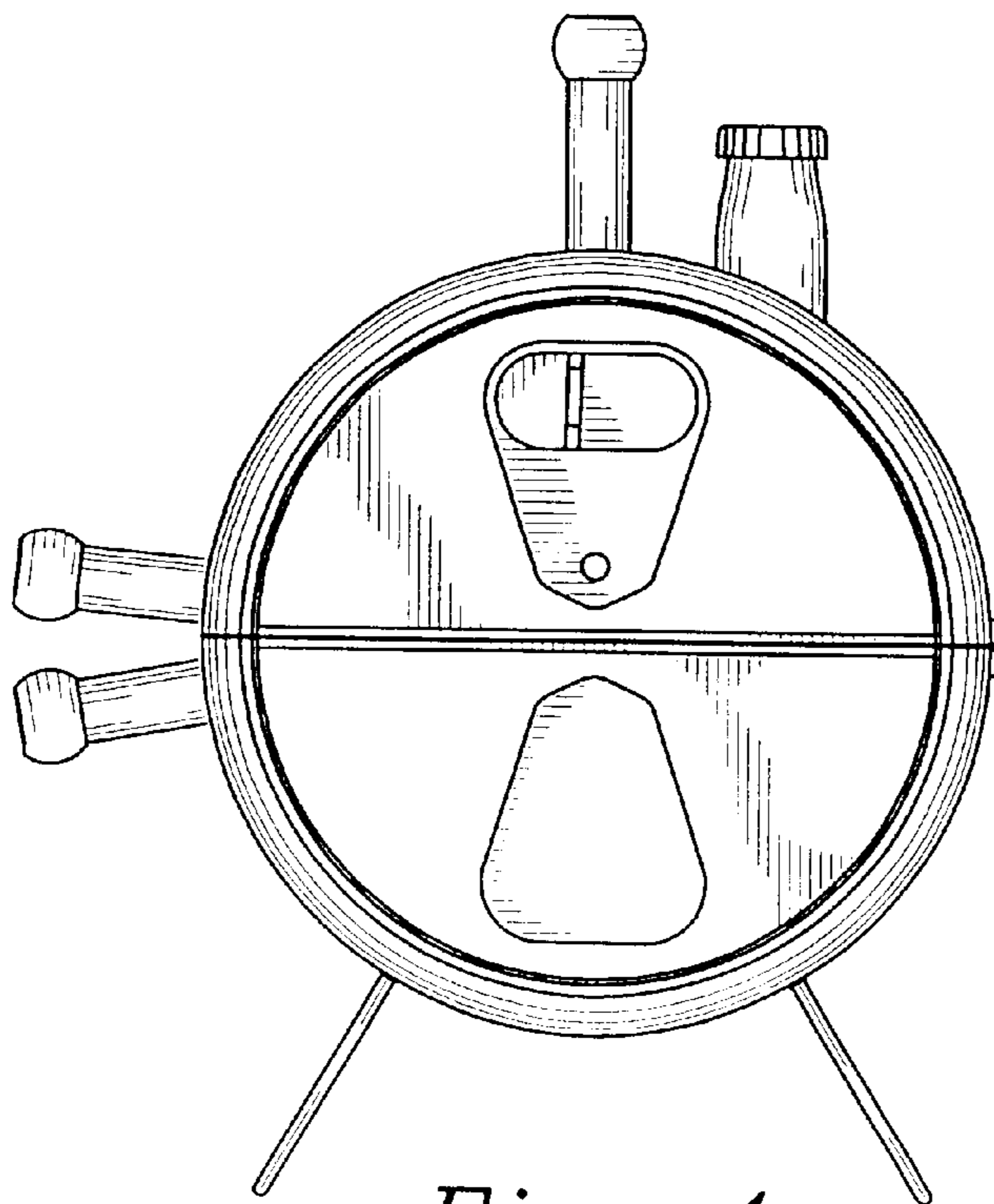
*Fig. 1*



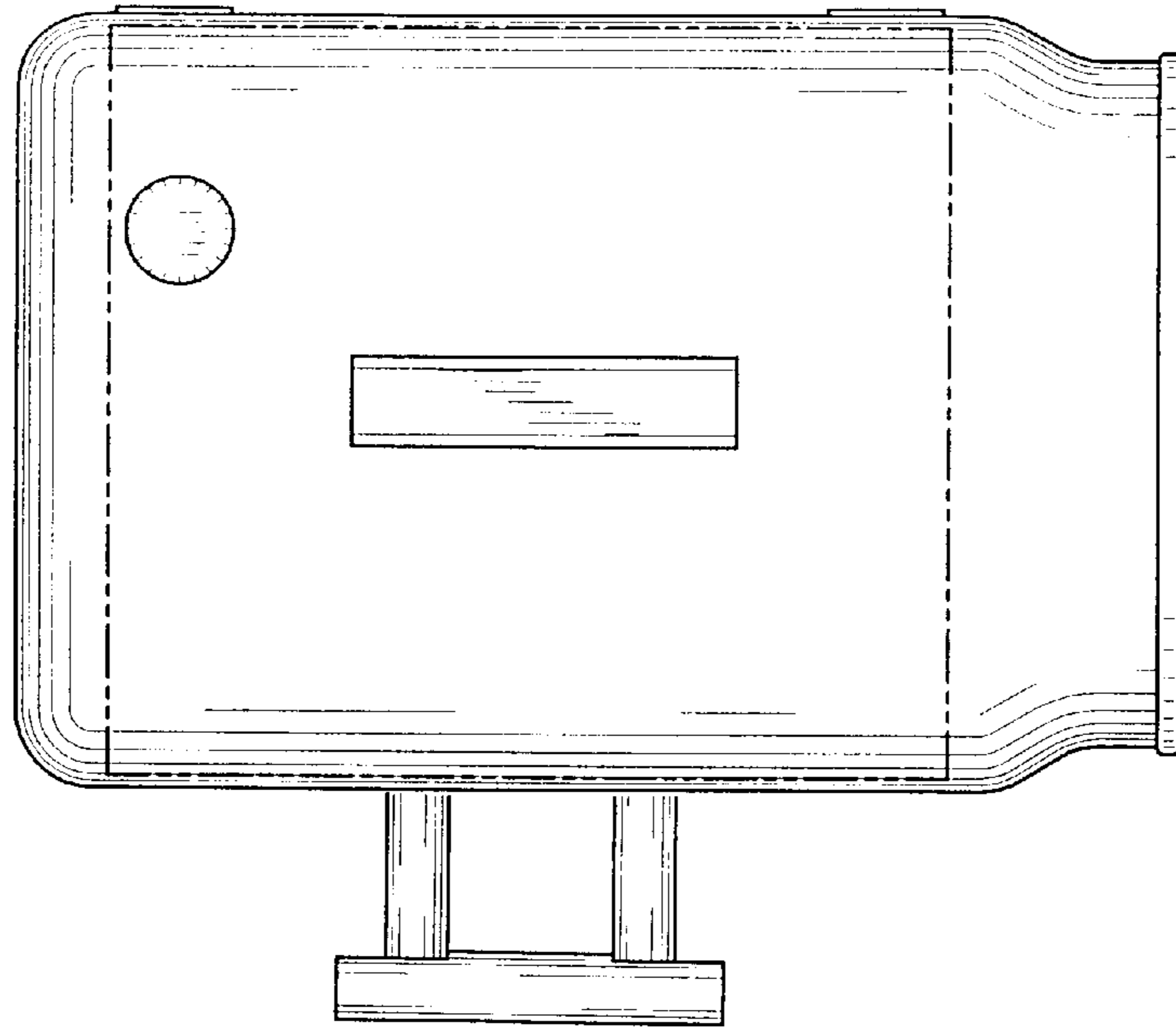
*Fig. 2*



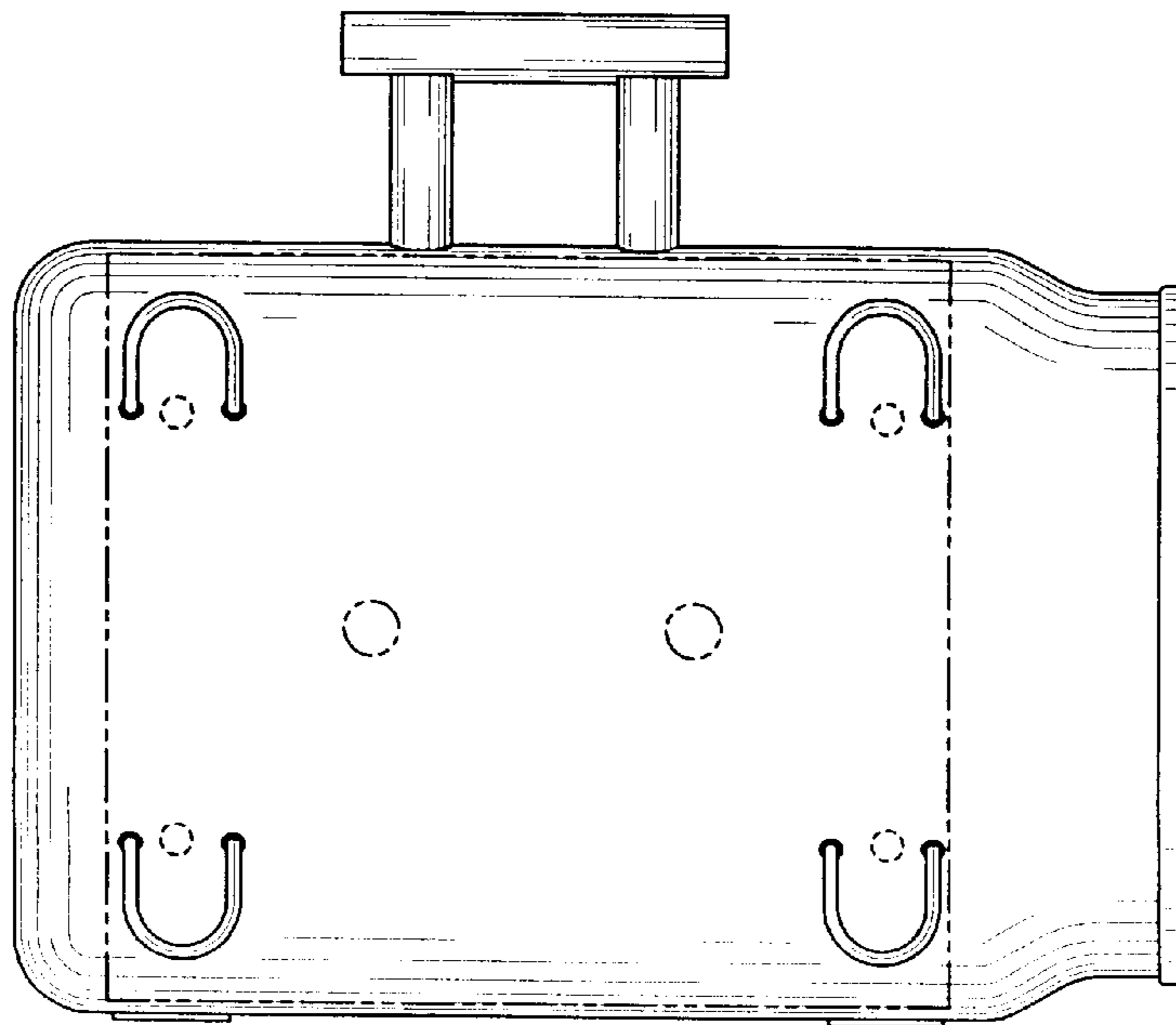
*Fig. 3*



*Fig. 4*



*Fig. 5*



*Fig. 6*