



US00D488661S

(12) **United States Design Patent**
Barman

(10) **Patent No.:** **US D488,661 S**

(45) **Date of Patent:** **** Apr. 20, 2004**

(54) **MATTRESS TOPPER**

(75) **Inventor:** **Bruce G. Barman**, Greensboro, NC
(US)

(73) **Assignee:** **Sealy Technology LLC**, Trinity, NC
(US)

(**) **Term:** **14 Years**

(21) **Appl. No.:** **29/150,758**

(22) **Filed:** **Nov. 29, 2001**

(51) **LOC (7) Cl.** **06-09**

(52) **U.S. Cl.** **D6/596**

(58) **Field of Search** D6/595, 596, 601,
D6/604, 605, 597; D9/341, 346, 456; D21/809;
5/901, 907, 419, 420, 417, 418, 499, 654.1,
500, 501, 630, 636, 637, 638, 645, 652,
653, 654, 655, 655.3, 655.4, 655.9, 656,
736; 428/178; 206/538, 564

(56) **References Cited**

U.S. PATENT DOCUMENTS

2,804,130	A	*	8/1957	Dunn	5/706
3,031,311	A	*	4/1962	Nakagawa	206/564
3,294,387	A	*	12/1966	Chavannes	428/178
3,932,248	A	*	1/1976	Keaton	428/178
D263,104	S	*	2/1982	Stalter, Sr.	D6/605
4,422,194	A	*	12/1983	Viesturs et al.	D6/604
4,686,724	A	*	8/1987	Bedford	D6/601
D316,202	S	*	4/1991	Farley	D5/596
D323,092	S	*	1/1992	Fenner	D6/596
5,105,488	A	*	4/1992	Hutchinson et al.	5/652
5,408,711	A	*	4/1995	McClelland	5/653
D365,956	S	*	1/1996	Bonaddio et al.	D6/596
D366,175	S	*	1/1996	Bonaddio et al.	D6/601
D381,543	S	*	7/1997	Farley	D5/596
D395,780	S	*	7/1998	Denney et al.	D6/596
5,836,027	A	*	11/1998	Leventhal et al.	5/706
D414,976	S	*	10/1999	Su et al.	D6/596
D416,426	S		11/1999	Denney et al.		
D416,739	S		11/1999	Denney et al.		
D416,740	S		11/1999	Denney et al.		
D416,741	S		11/1999	Denney et al.		

D419,356	S	*	1/2000	Denney et al.	D6/596
6,340,514	B1	*	1/2002	Kerr et al.	5/420
6,347,423	B1	*	2/2002	Stumpf	5/655.9

* cited by examiner

Primary Examiner—Doris V. Coles

Assistant Examiner—T. Chase Nelson

(74) *Attorney, Agent, or Firm*—Roetzel & Andress

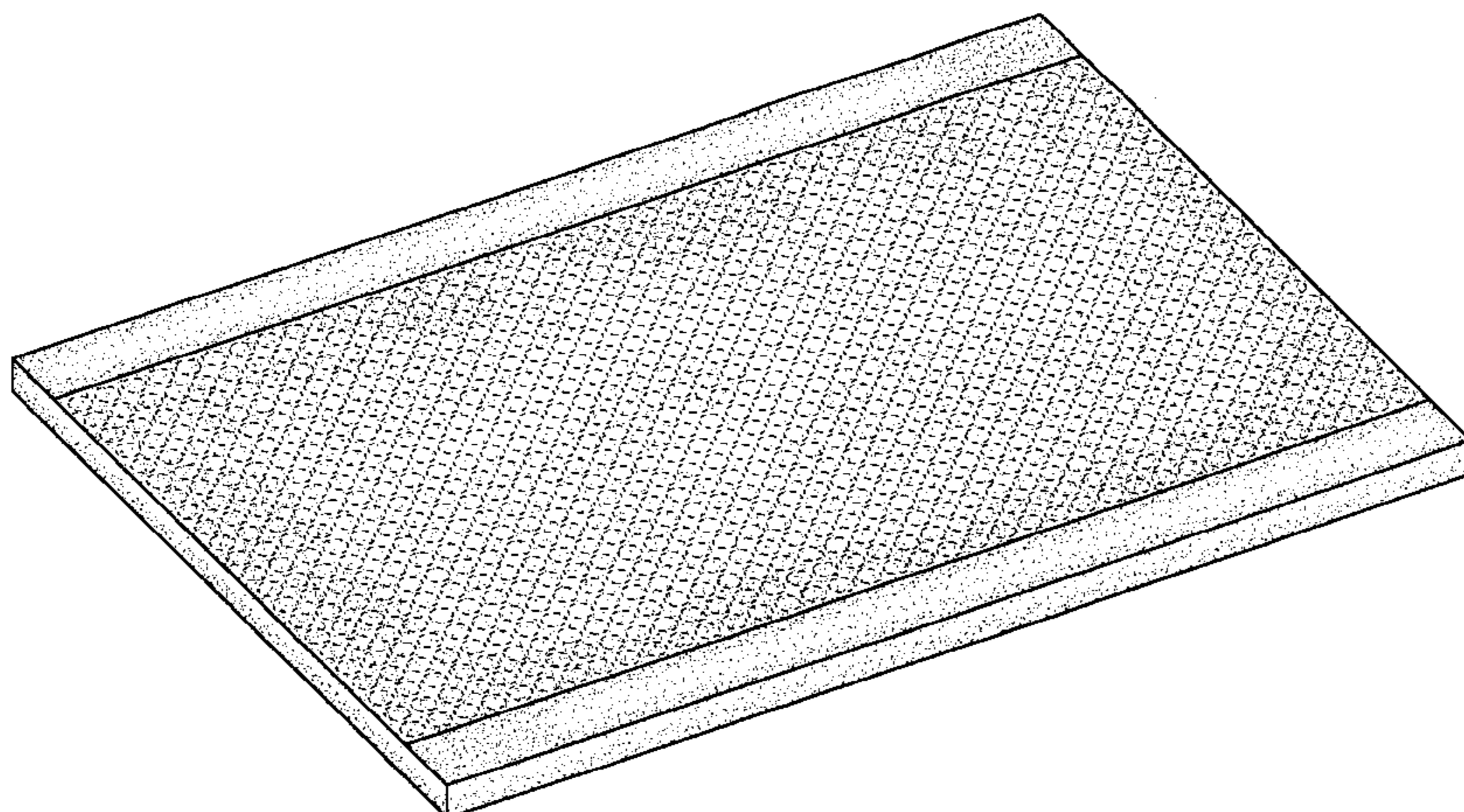
(57) **CLAIM**

The ornamental design for a mattress topper, as shown and described.

DESCRIPTION

FIG. 1 is a perspective view of a first embodiment of a mattress topper showing our new design;
 FIG. 2 is a top plan view of the first embodiment;
 FIG. 3 is a side elevational view of the first embodiment, with the back side elevational view being identical thereto;
 FIG. 4 is an end elevational view of the first embodiment, with the second end elevational view being identical thereto;
 FIG. 5 is a bottom plan view of the first embodiment;
 FIG. 6 is a perspective view of a second embodiment of a mattress topper showing our new design;
 FIG. 7 is a top plan view of the second embodiment;
 FIG. 8 is a side elevational view of the second embodiment, with the back side elevational view being identical thereto;
 FIG. 9 is an end elevational view of the second embodiment, with the second end elevational view being identical thereto;
 FIG. 10 is a bottom plan view of the second embodiment;
 FIG. 11 is a perspective view of the design of FIG. 1 with a different unclaimed surface pattern;
 FIG. 12 is a top plan view of FIG. 11;
 FIG. 13 is a side elevational view of FIG. 11, with the back side elevational view being identical thereto;
 FIG. 14 is an end elevational view of FIG. 11, with the second end elevational view being identical thereto; and,
 FIG. 15 is a bottom plan view of FIG. 11.
 The broken line showing of a surface pattern in FIGS. 1 and 2 and FIGS. 11 and 12 is for illustrative purposes only and forms no part of the claimed design.

1 Claim, 6 Drawing Sheets



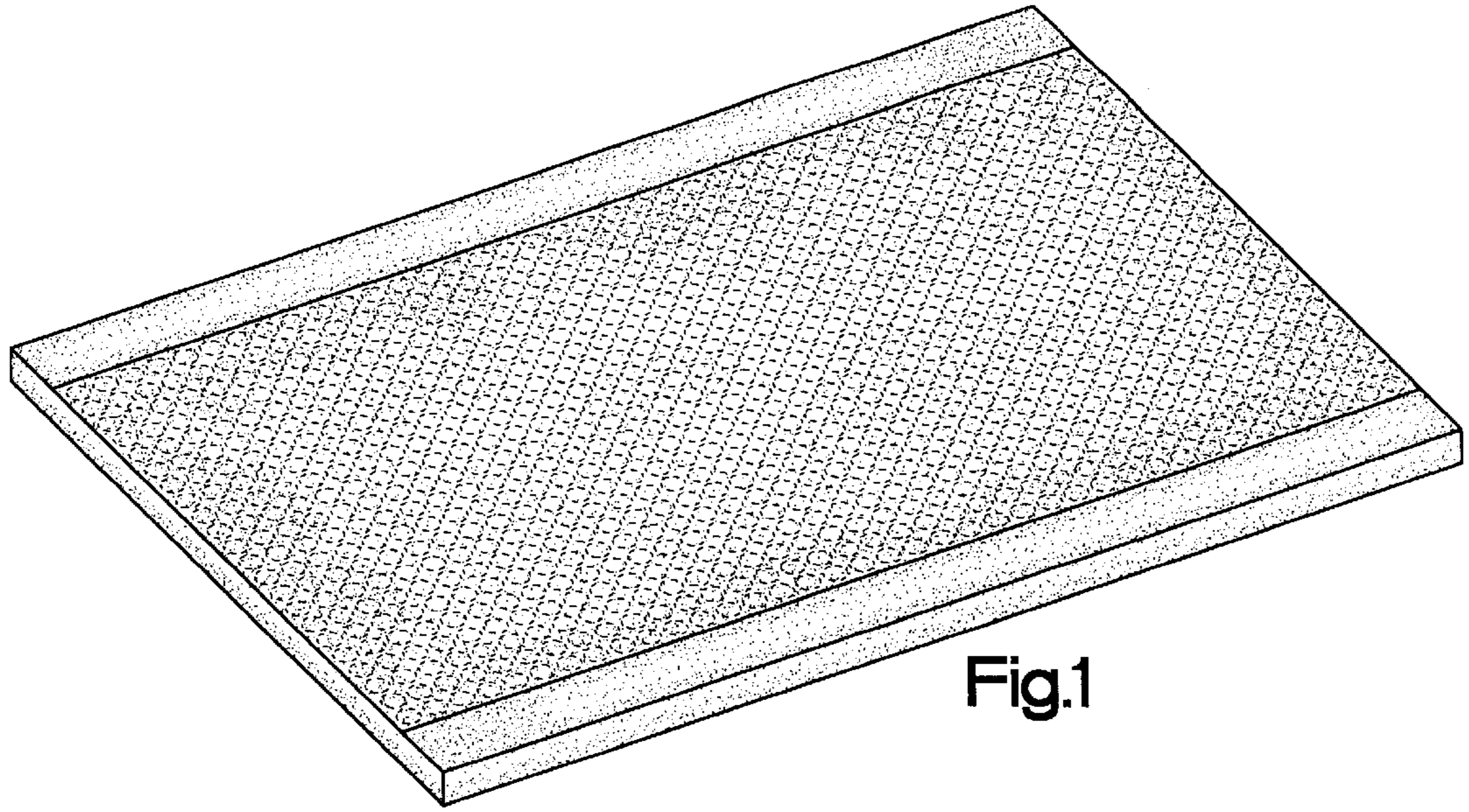


Fig.1

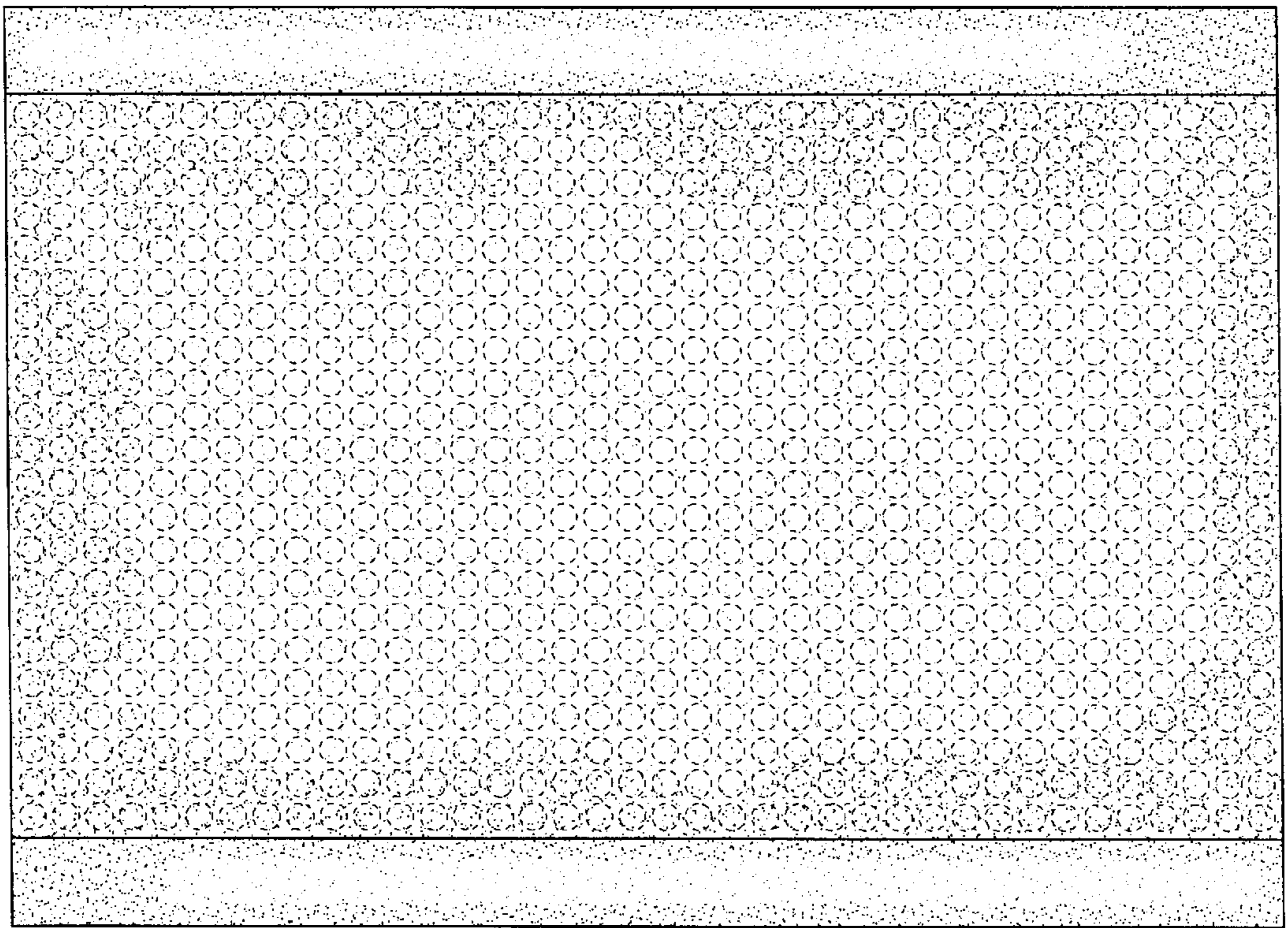


Fig.2

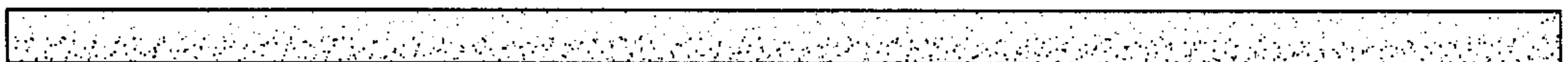


Fig.3



Fig.4

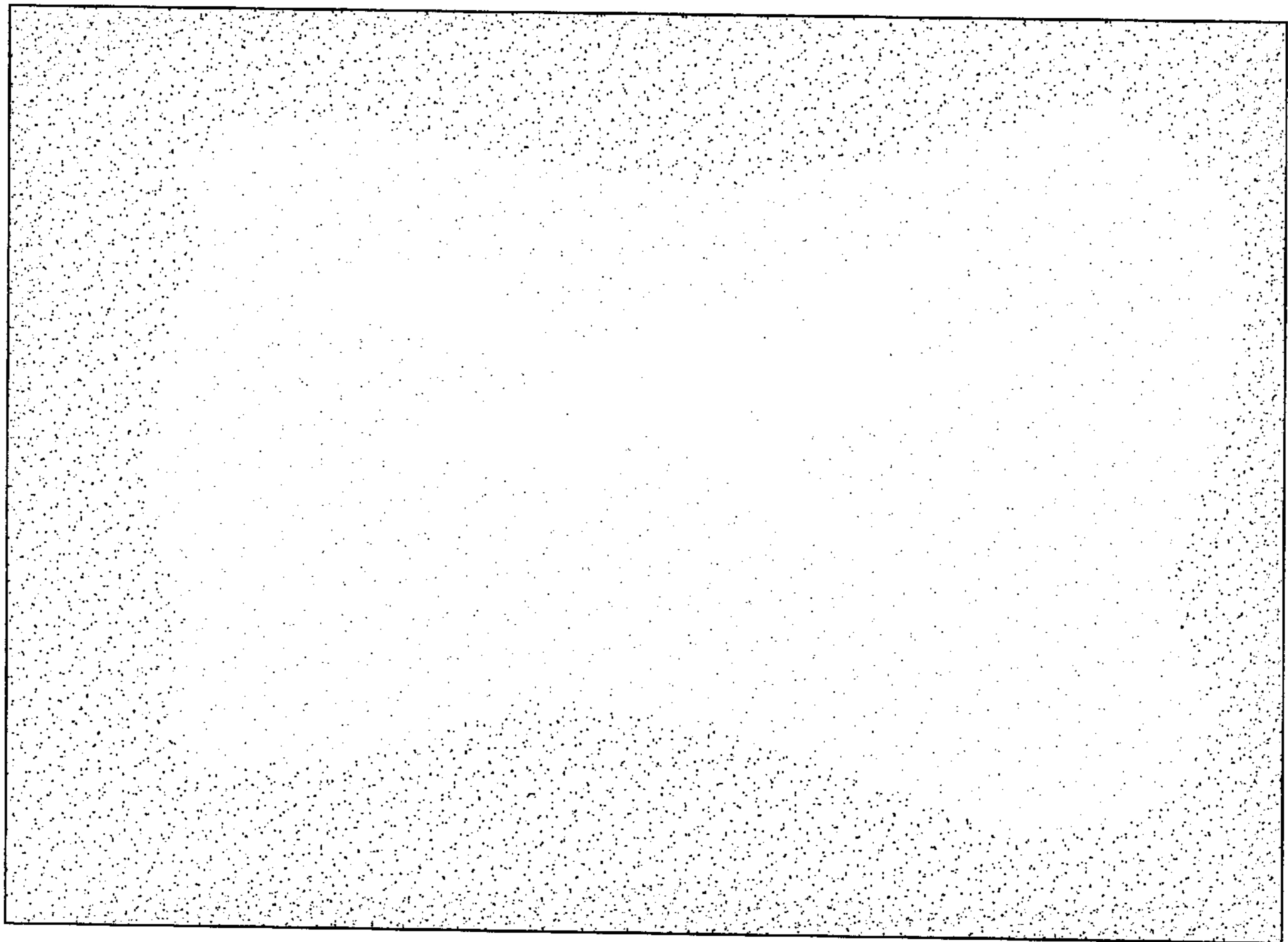


Fig.5

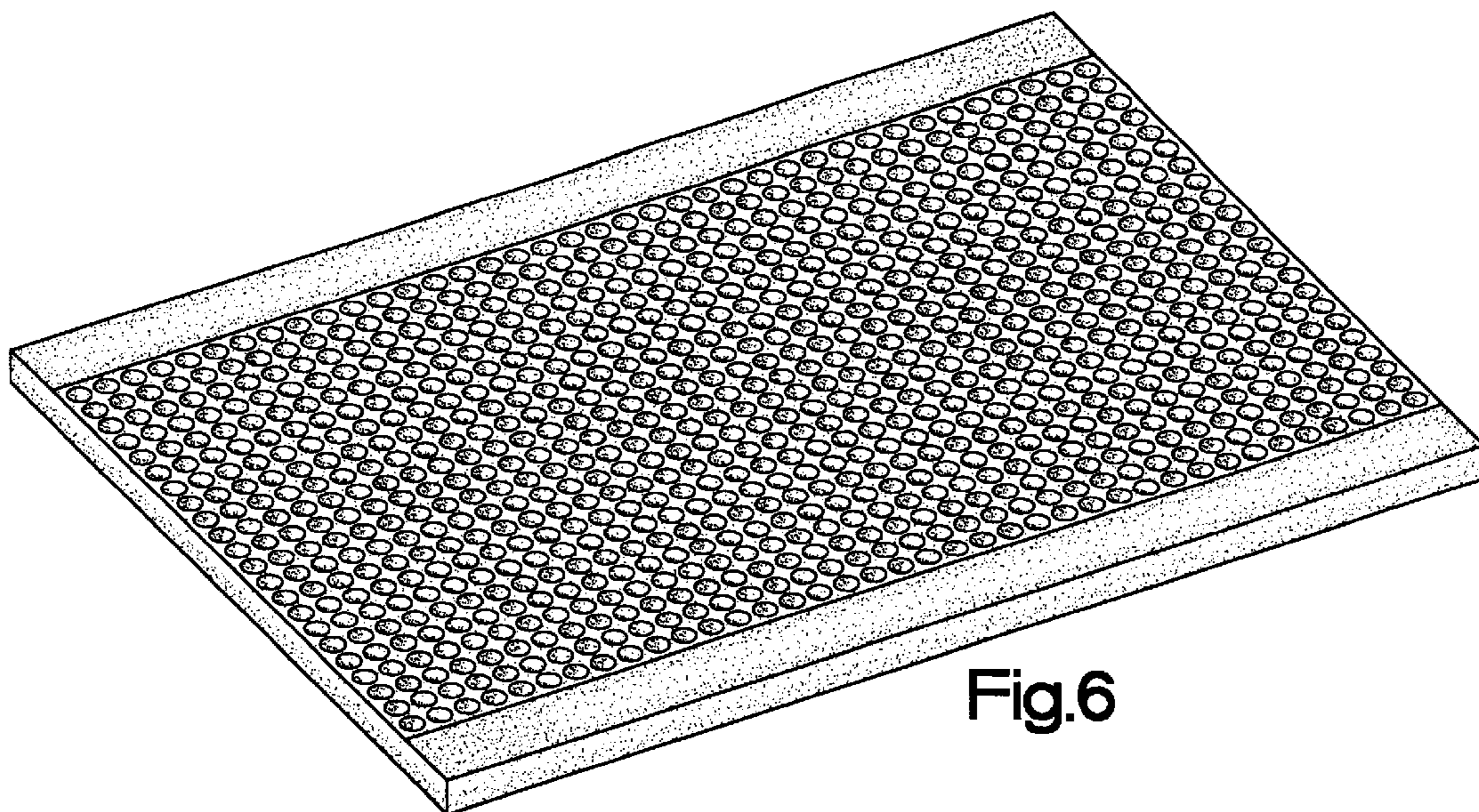


Fig.6

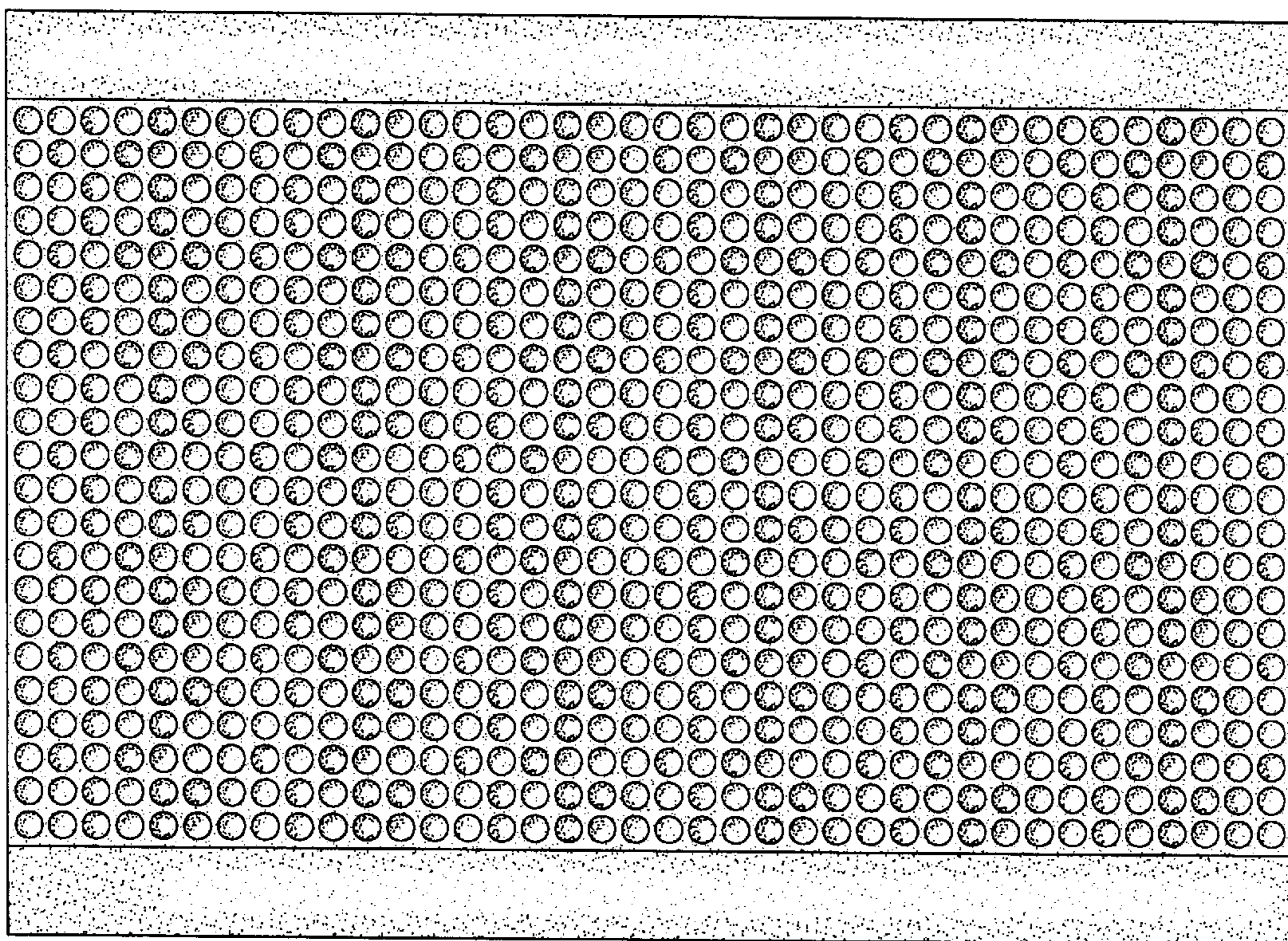


Fig.7



Fig.8

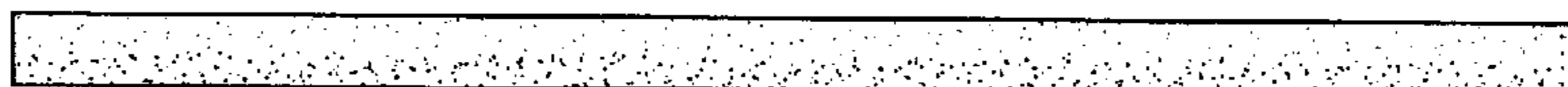


Fig.9

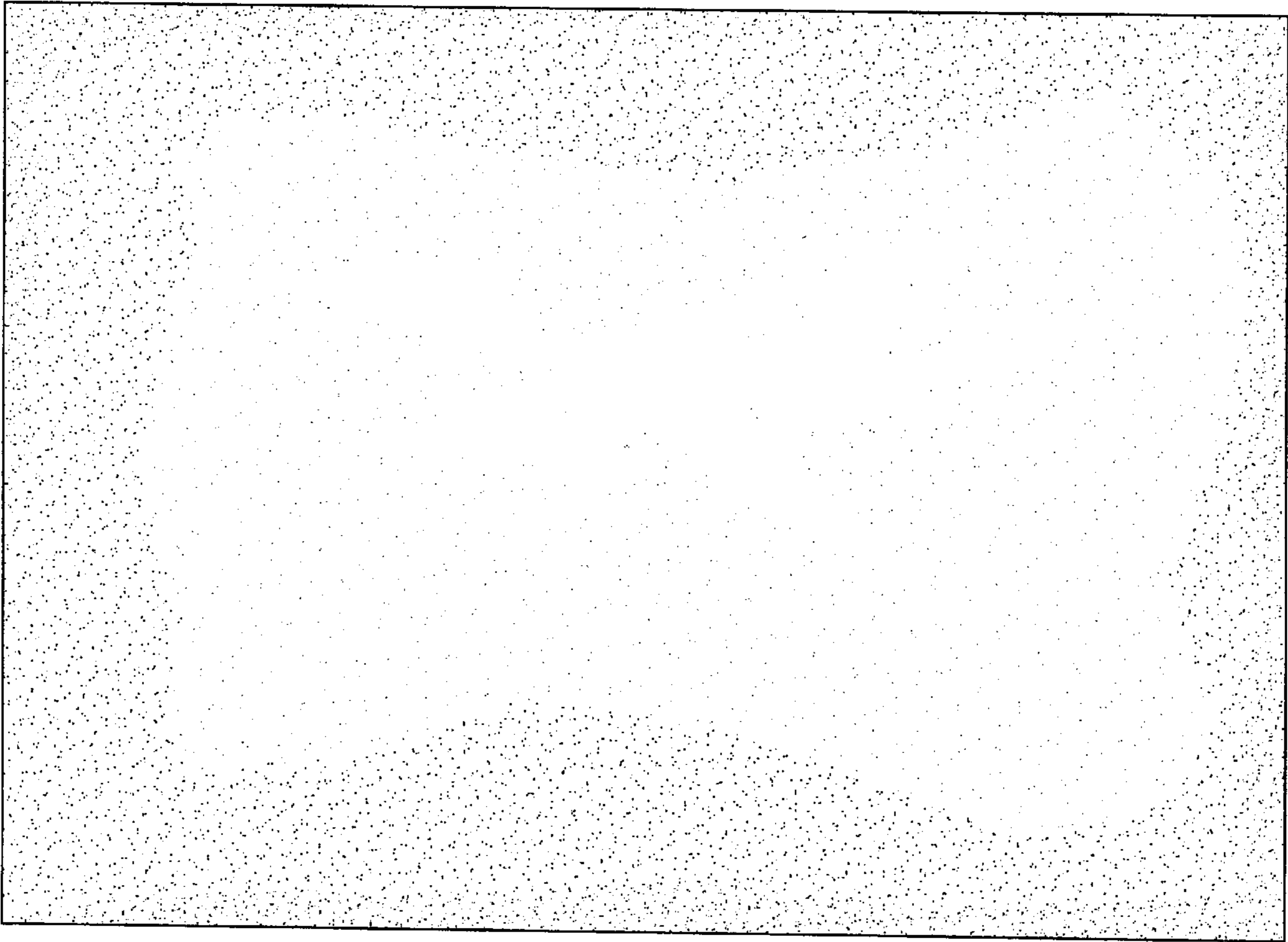


Fig.10

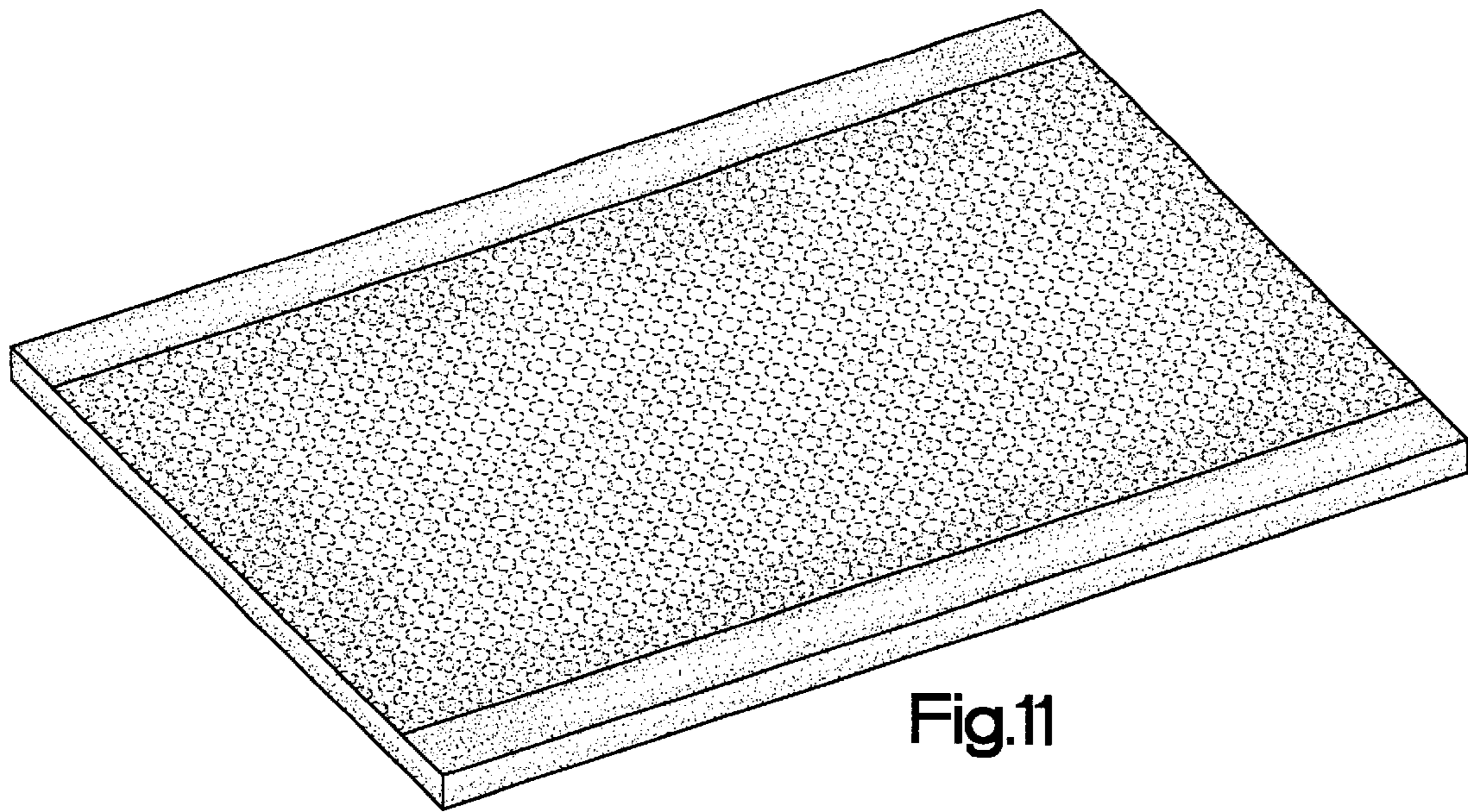


Fig.11

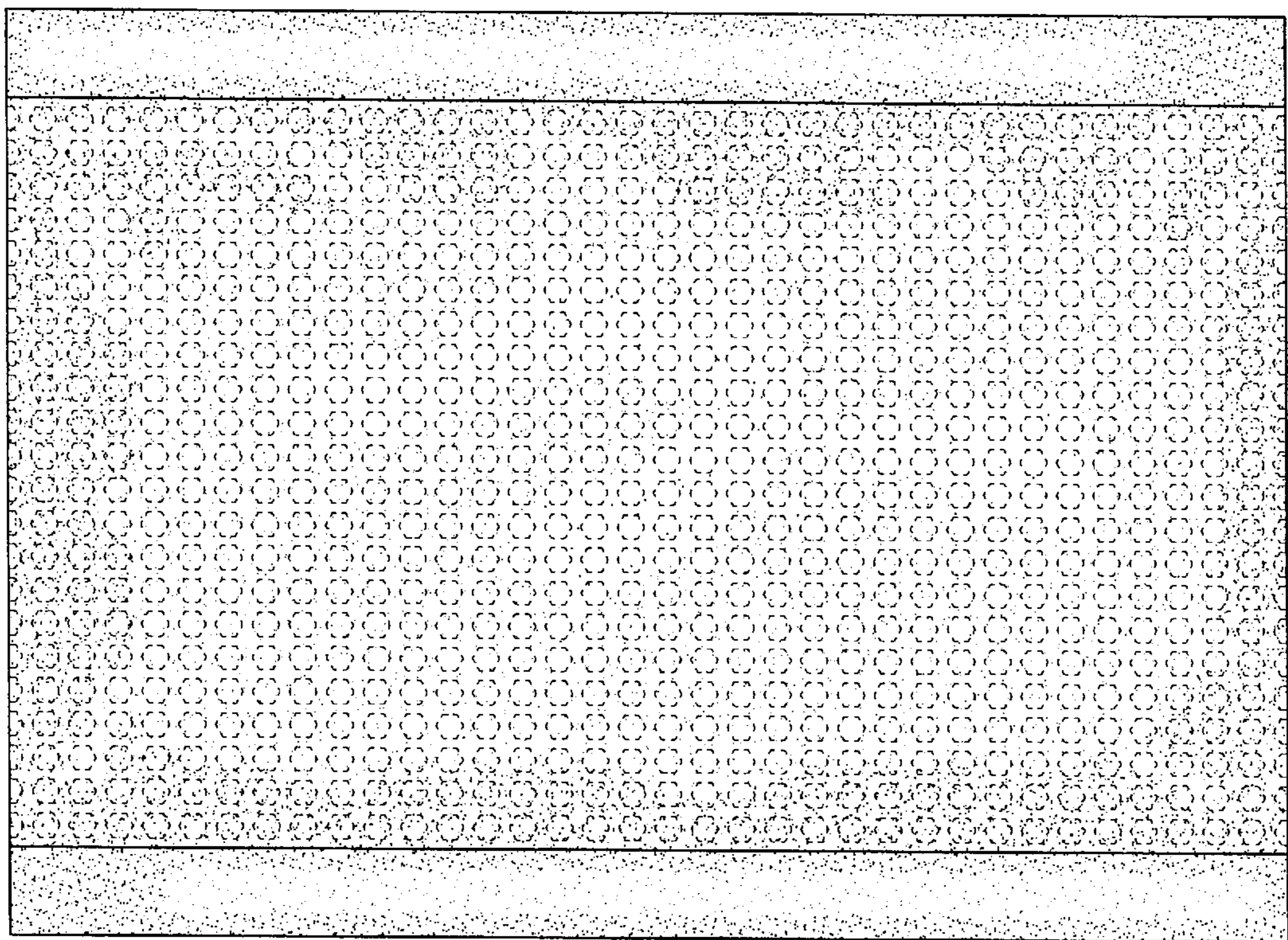


Fig.12



Fig.13

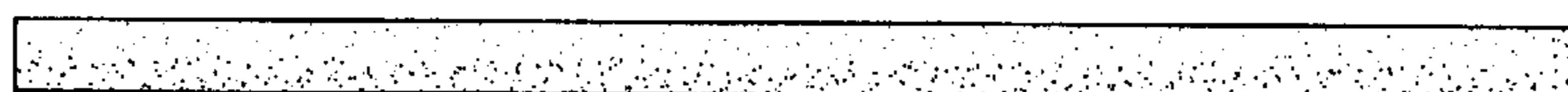


Fig.14

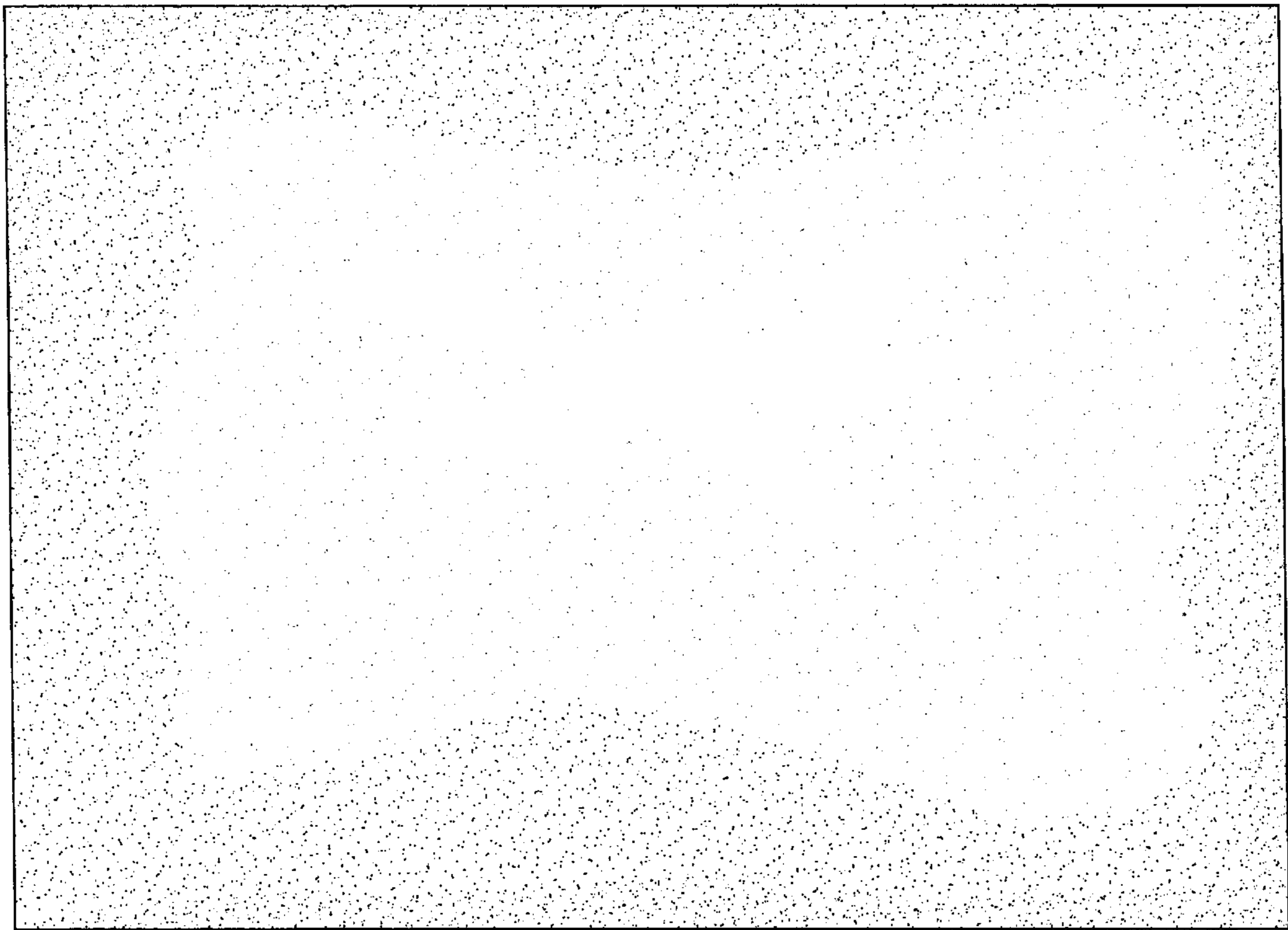


Fig.15