



US00D488658S

(12) **United States Design Patent**  
**Ford et al.**

(10) **Patent No.:** **US D488,658 S**

(45) **Date of Patent:** **\*\* Apr. 20, 2004**

(54) **BOWLING TABLE WITH BALL RACK AND STORAGE SHELVES**

D412,415 S 8/1999 Adler et al.  
D427,802 S 7/2000 Adler et al.  
D456,645 S 5/2002 Iverson

(75) Inventors: **Gary J. Ford**, Chesterfield, VA (US);  
**William Bredlow**, Baltimore, MD (US);  
**Brian Williamson**, Richmond, VA (US)

\* cited by examiner

*Primary Examiner*—Brian N. Vinson  
(74) *Attorney, Agent, or Firm*—McGuire Woods LLP

(73) Assignee: **AMF Bowling Worldwide, Inc.**,  
Mechanicsville, VA (US)

(57) **CLAIM**

(\*\*) Term: **14 Years**

We claim the ornamental design for a bowling table with ball rack and storage shelves, as shown and described.

(21) Appl. No.: **29/162,605**

**DESCRIPTION**

(22) Filed: **Jun. 17, 2002**

(51) **LOC (7) Cl.** ..... **08-08**

(52) **U.S. Cl.** ..... **D6/552; D6/489**

(58) **Field of Search** ..... D6/552, 396, 397,  
D6/449, 455, 458, 489; D21/785; 108/28,  
59, 91, 150; 206/315.91; 211/13.1, 85.7,  
14, 102; 248/309.1

FIG. 1 is a front perspective view of the bowling table with ball rack and storage shelves in accordance with an embodiment of the present invention;  
FIG. 2 is a right side perspective view thereof;  
FIG. 3 is a left side perspective view thereof;  
FIG. 4 is a top plan view thereof;  
FIG. 5 is a front elevation view thereof;  
FIG. 6 is a rear elevation view thereof;  
FIG. 7 is a left side elevation view thereof  
FIG. 8 is a right side elevation view thereof;  
FIG. 9 is a bottom plan view thereof; and,  
FIG. 10 is a bottom perspective view thereof.

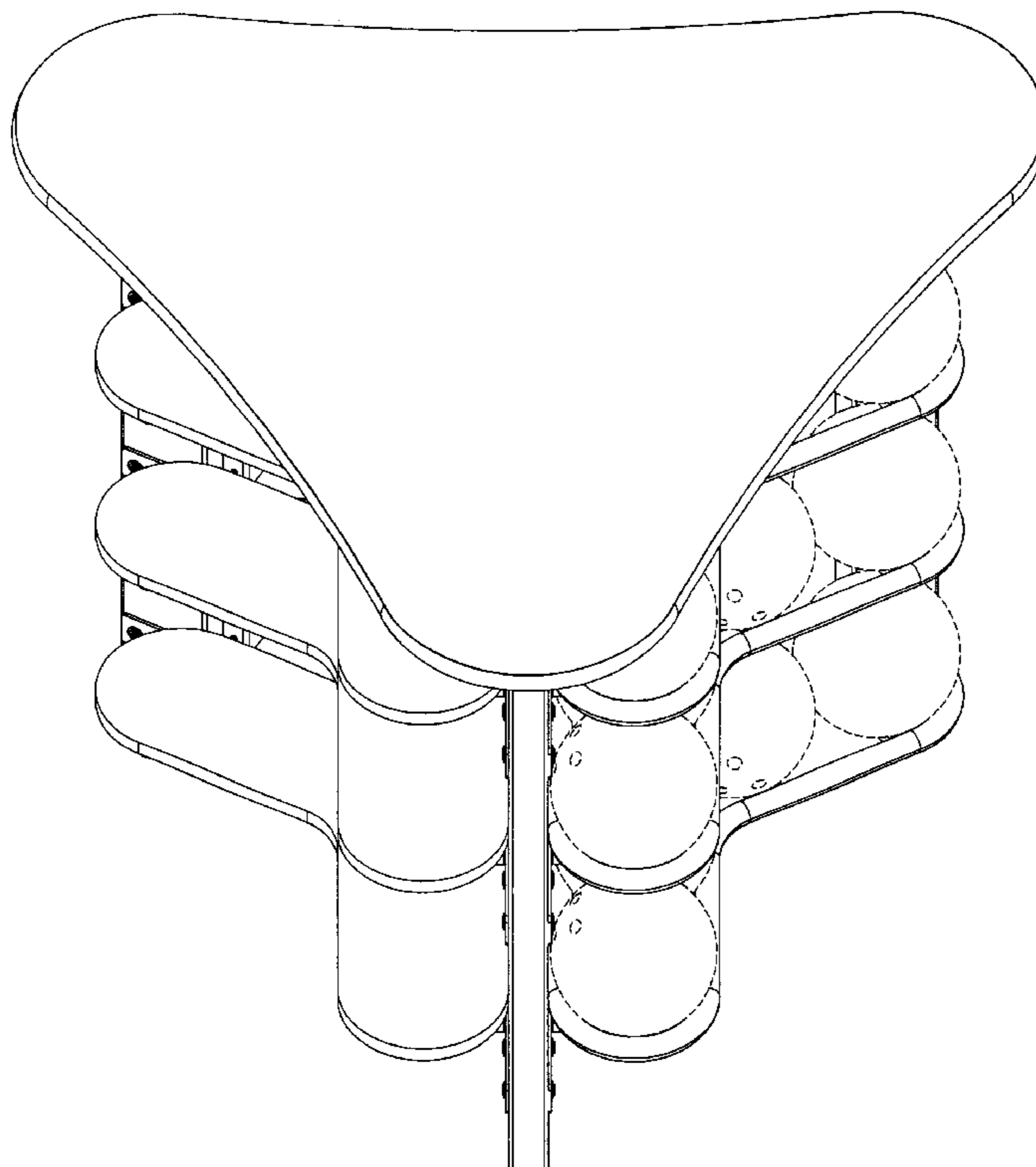
(56) **References Cited**

**U.S. PATENT DOCUMENTS**

D314,111 S	*	1/1991	Ohno	.....	D6/552
D339,487 S		9/1993	Rizzi		
D365,237 S	*	12/1995	Stirling et al.	.....	D6/552
D367,772 S		3/1996	Stirling et al.		
D377,124 S		1/1997	Stirling et al.		
D379,874 S		6/1997	Stirling et al.		

The bottom portion of each leg of the bowling table and the bowling balls shown the ball racks of each of the above-referenced figures are for illustrative purposes only and form no part of the claimed design.

**1 Claim, 10 Drawing Sheets**



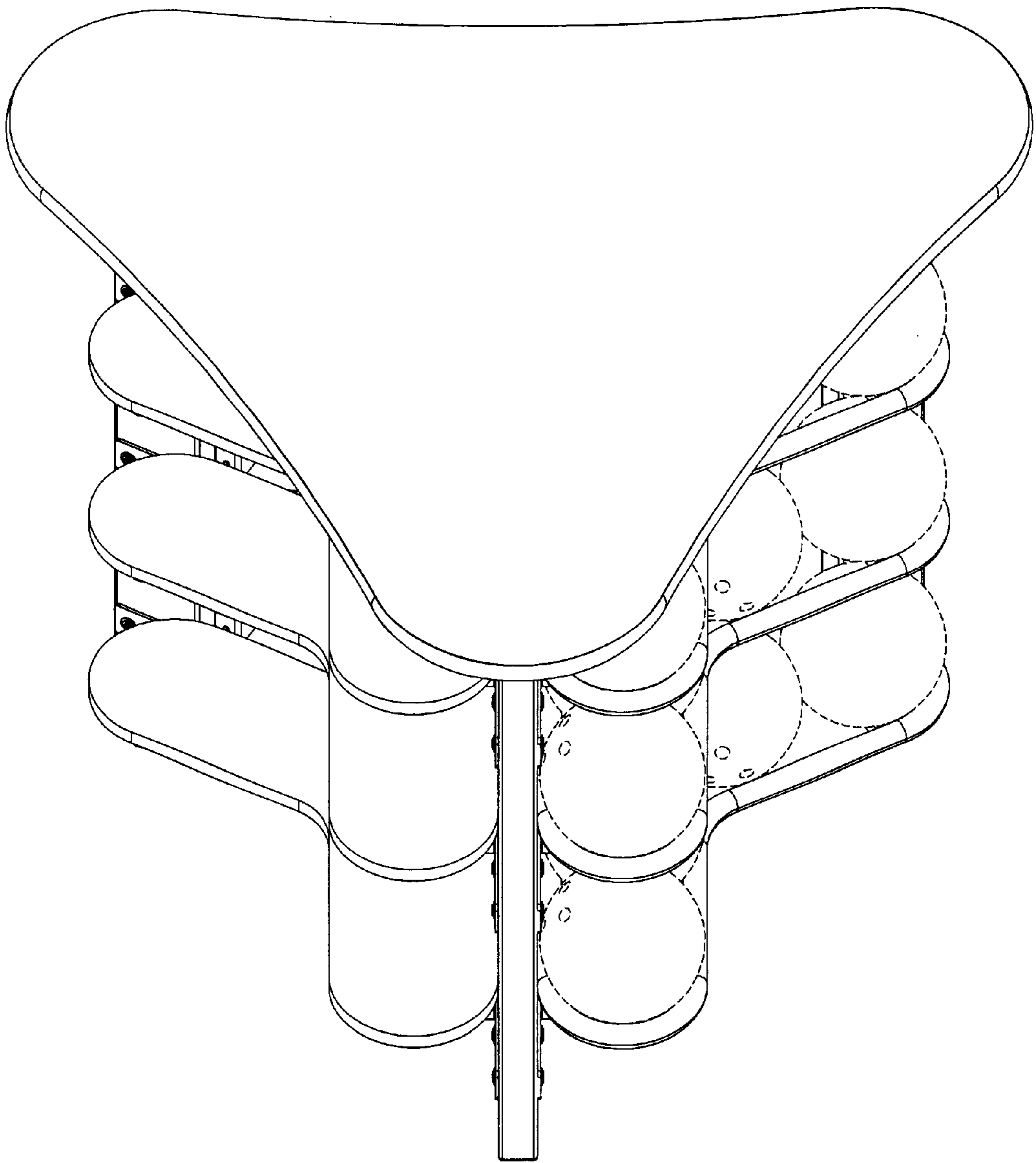
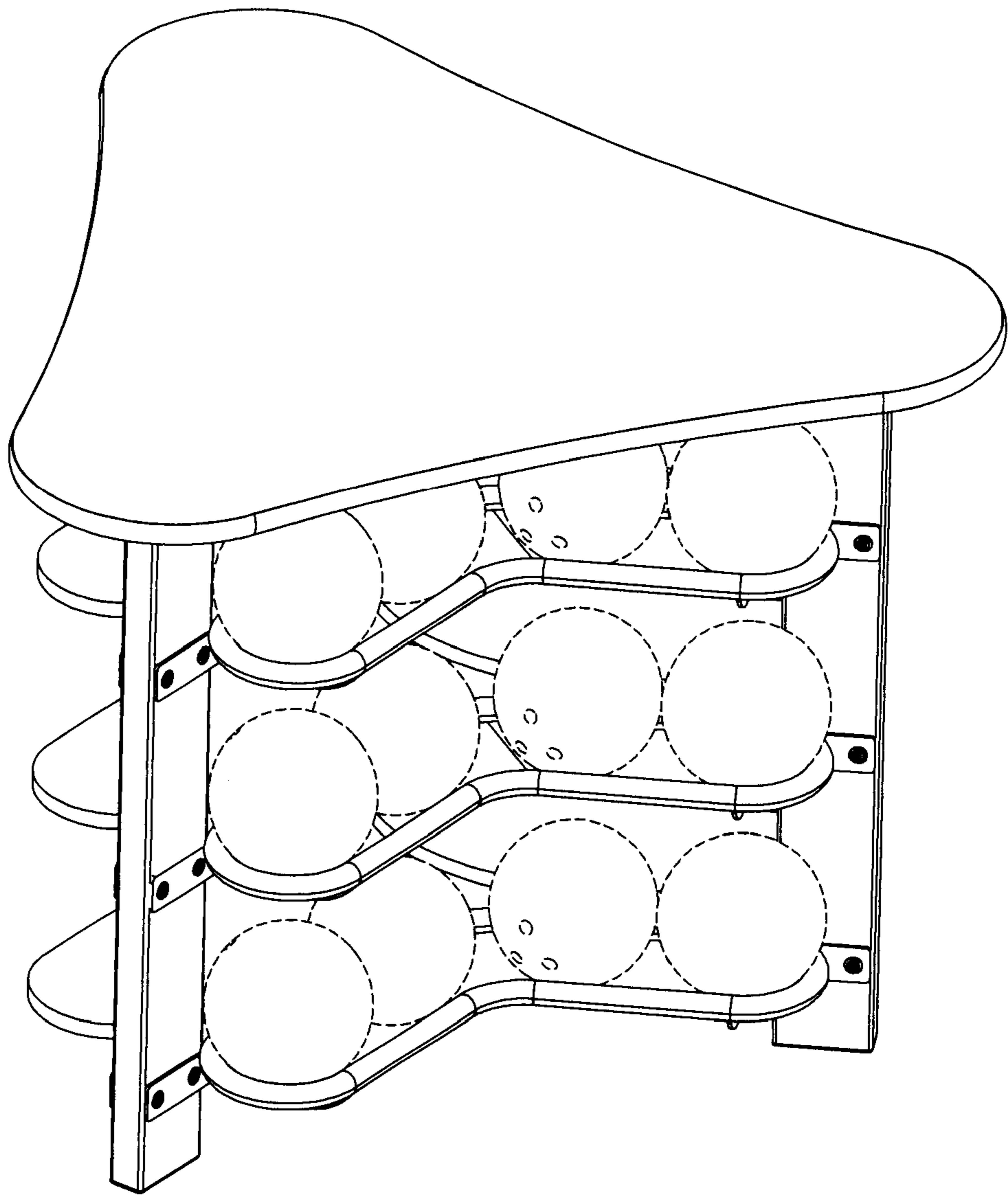
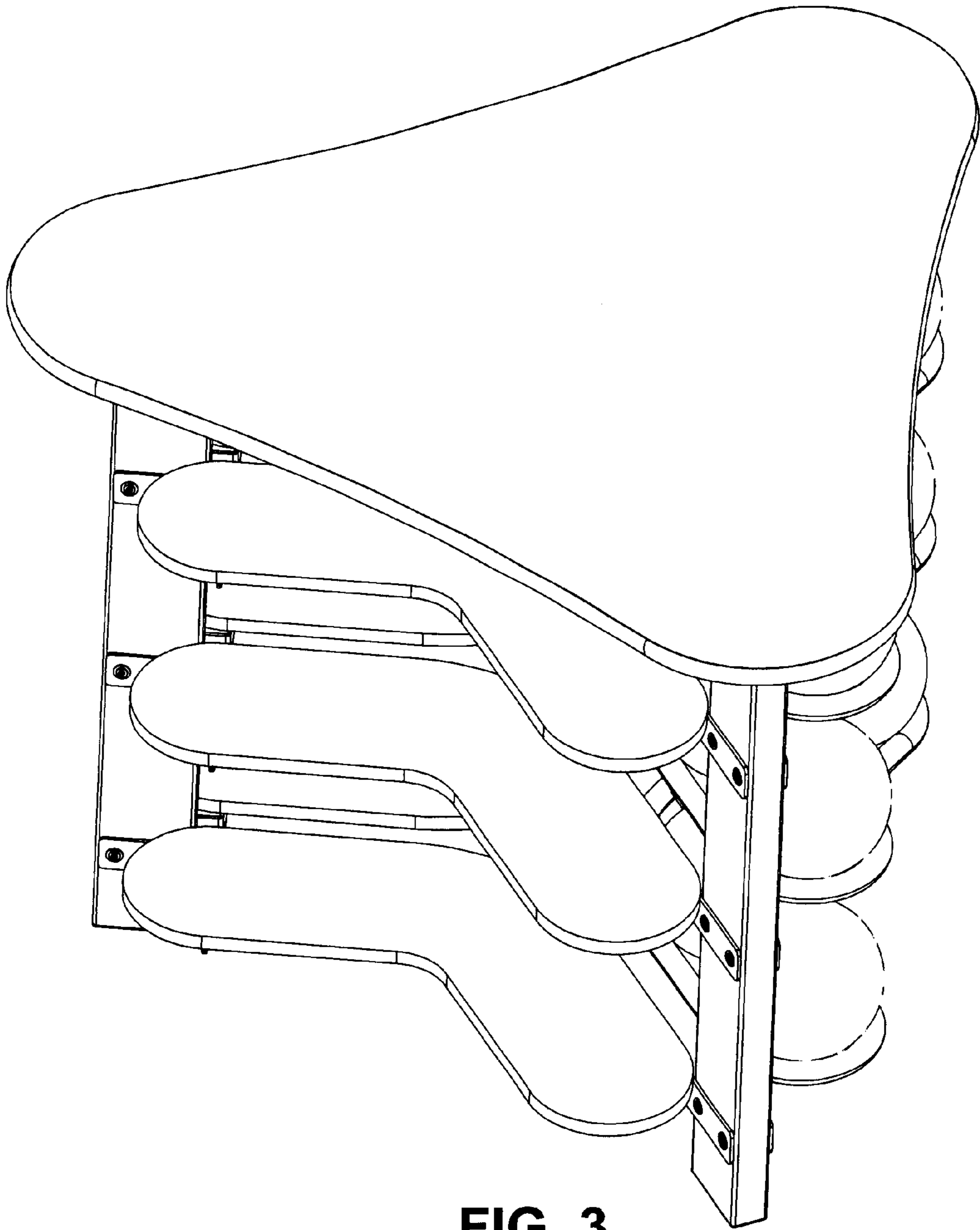


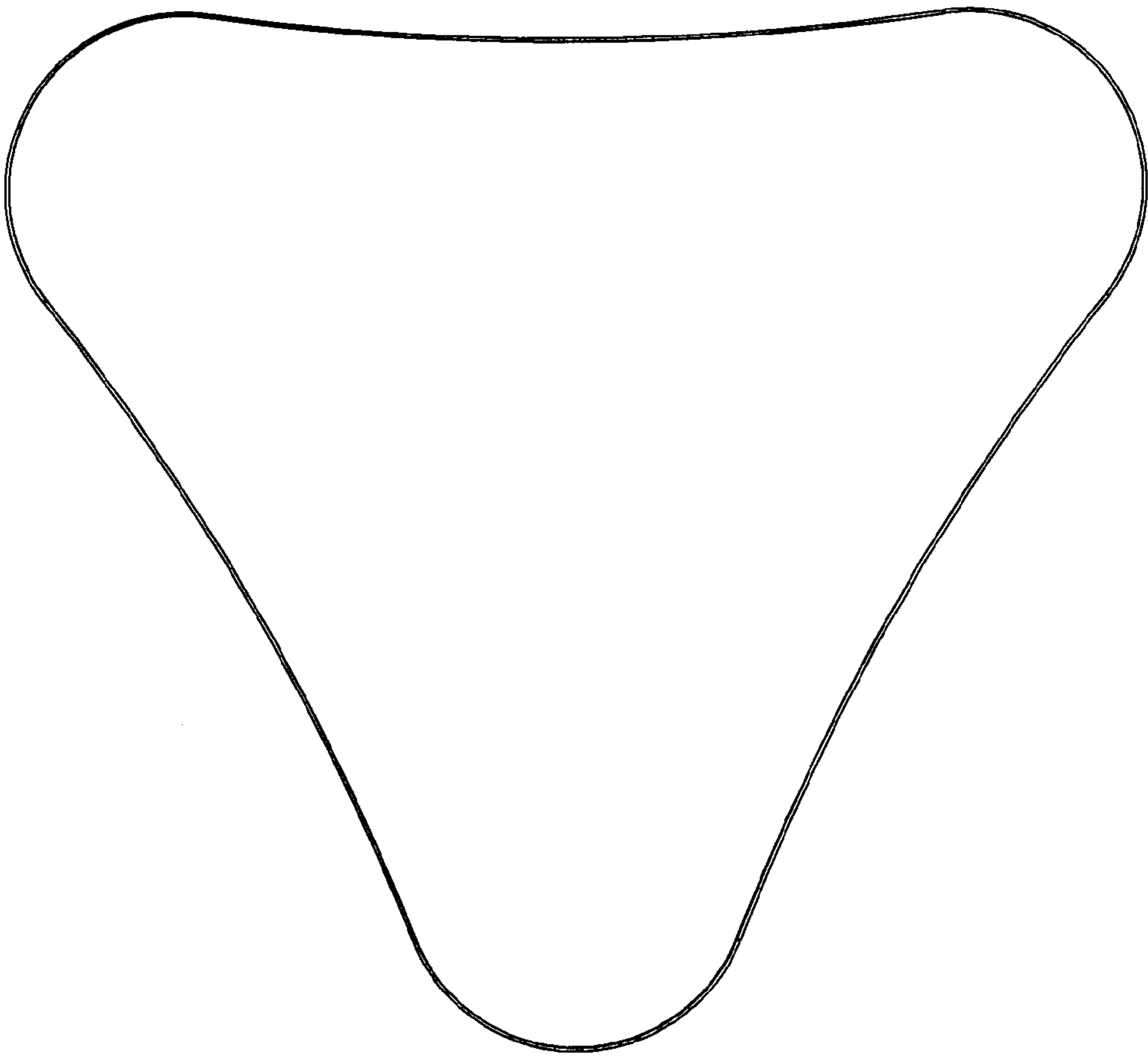
FIG. 1



**FIG. 2**



**FIG. 3**



**FIG. 4**

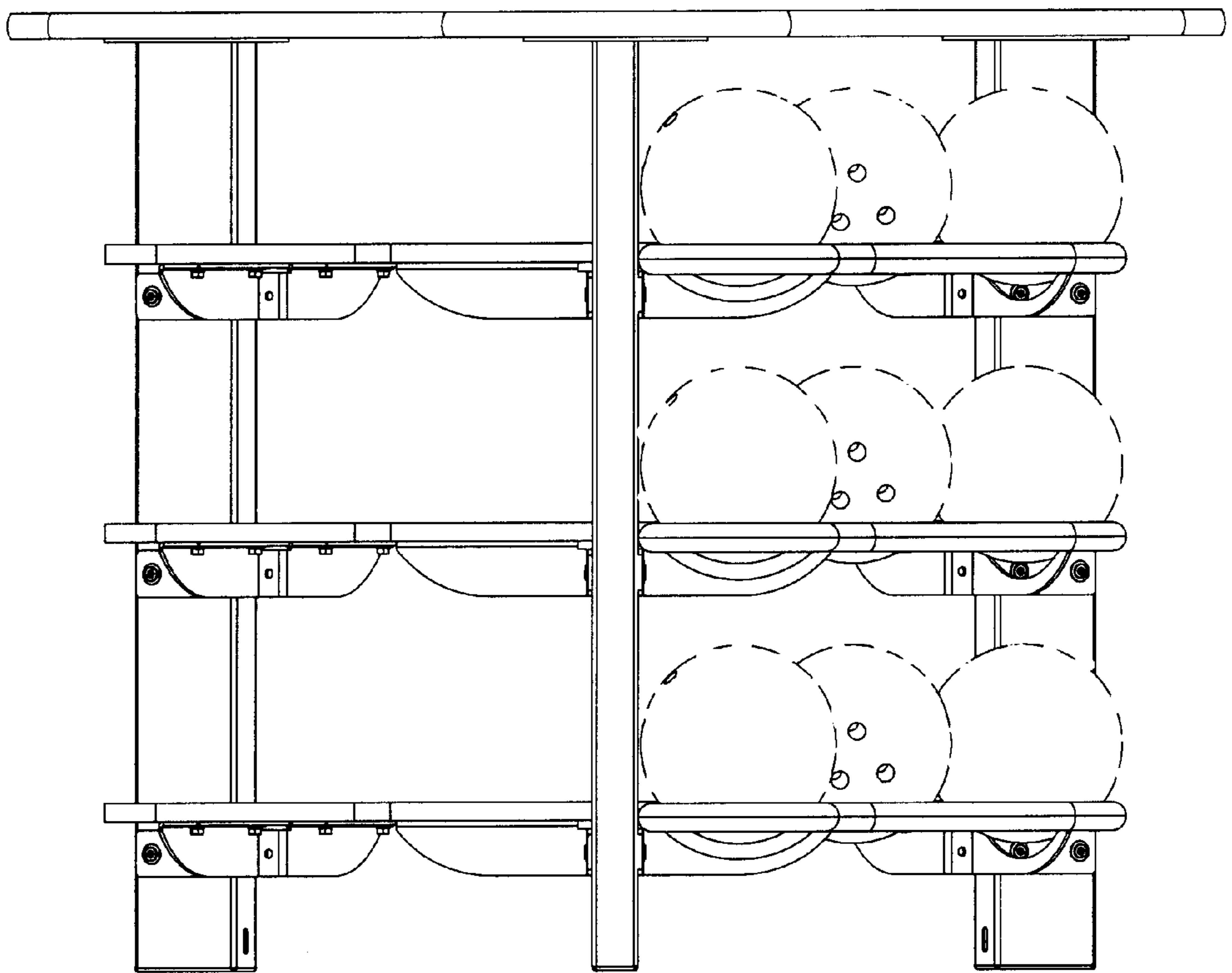


FIG. 5

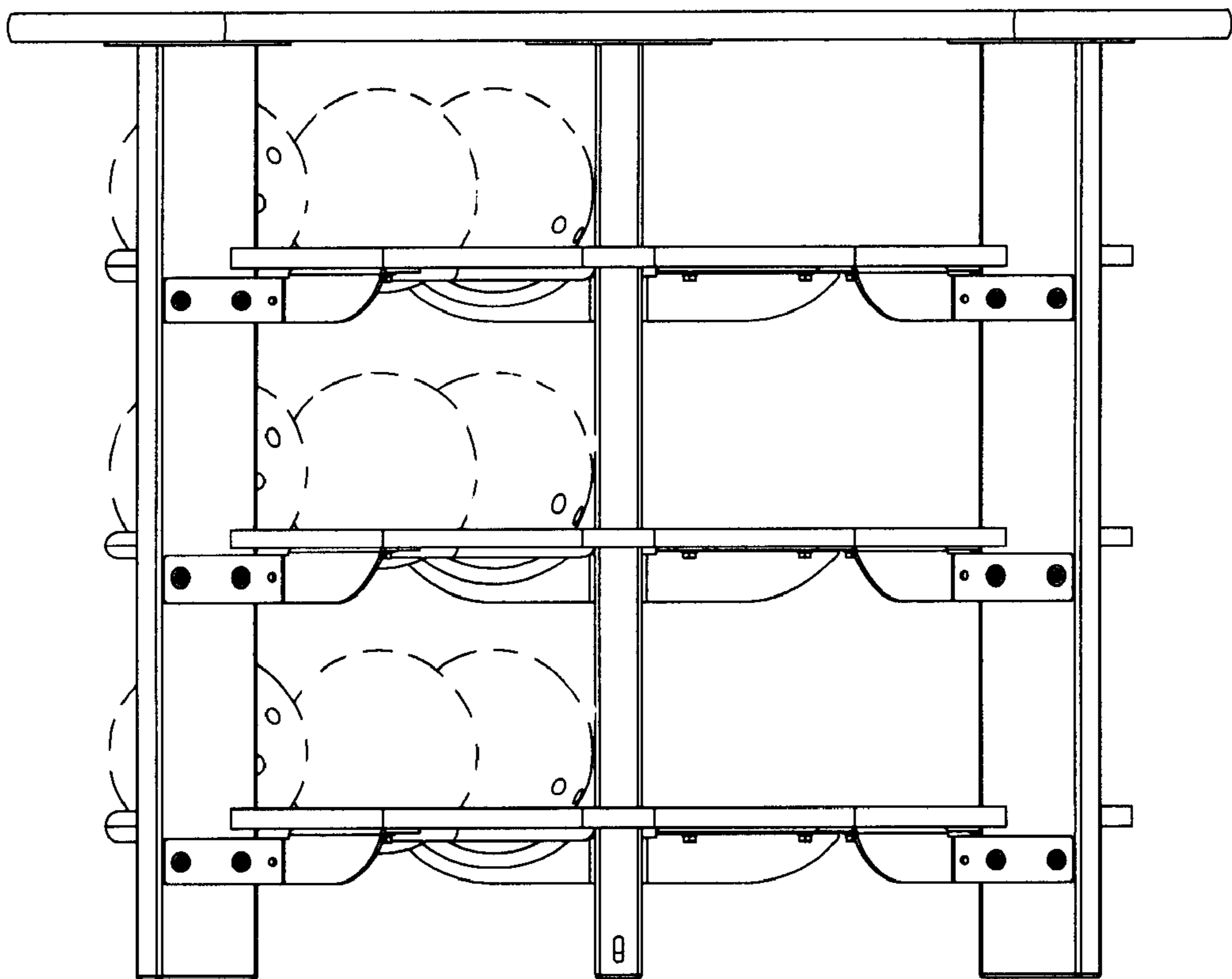
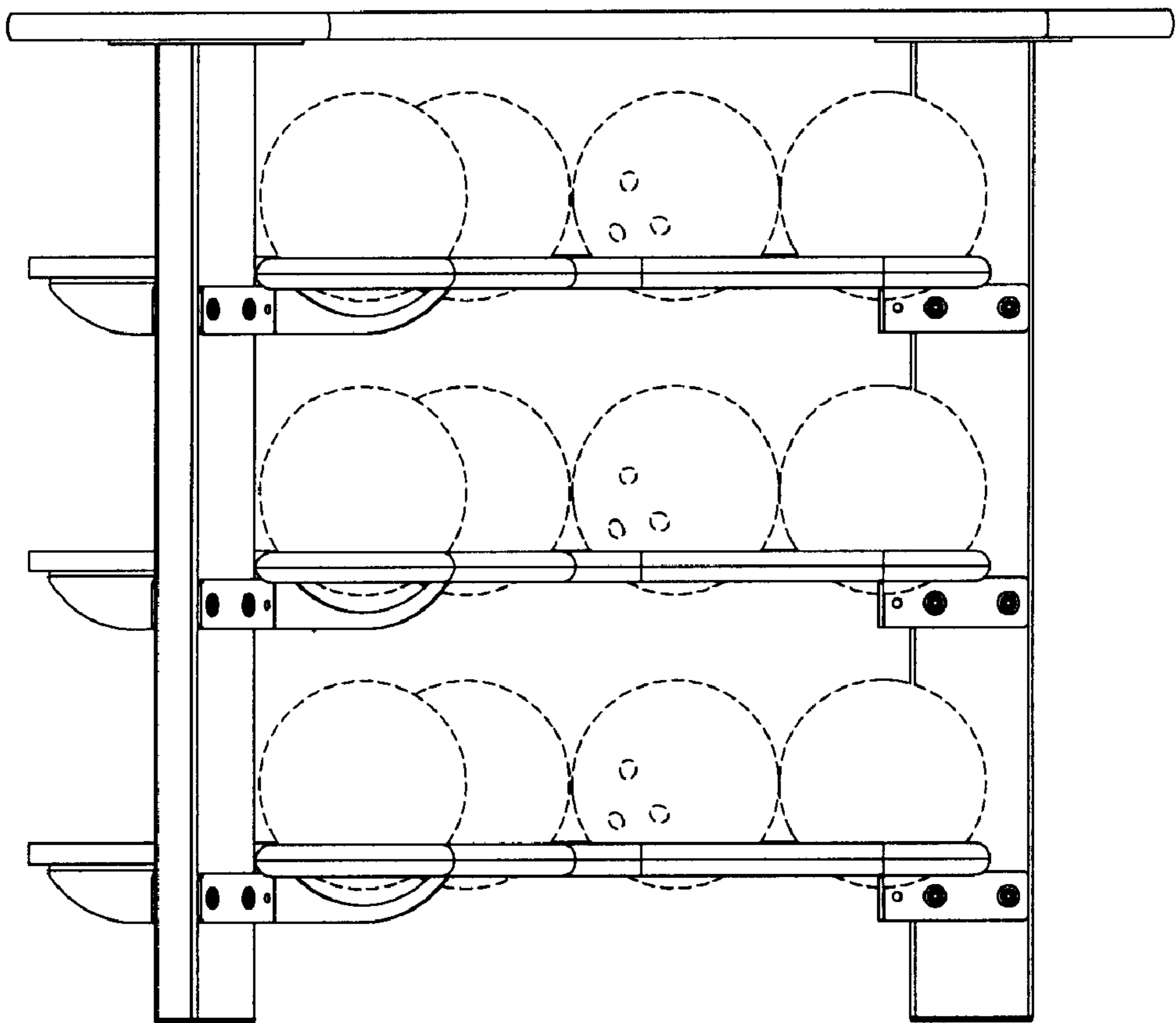


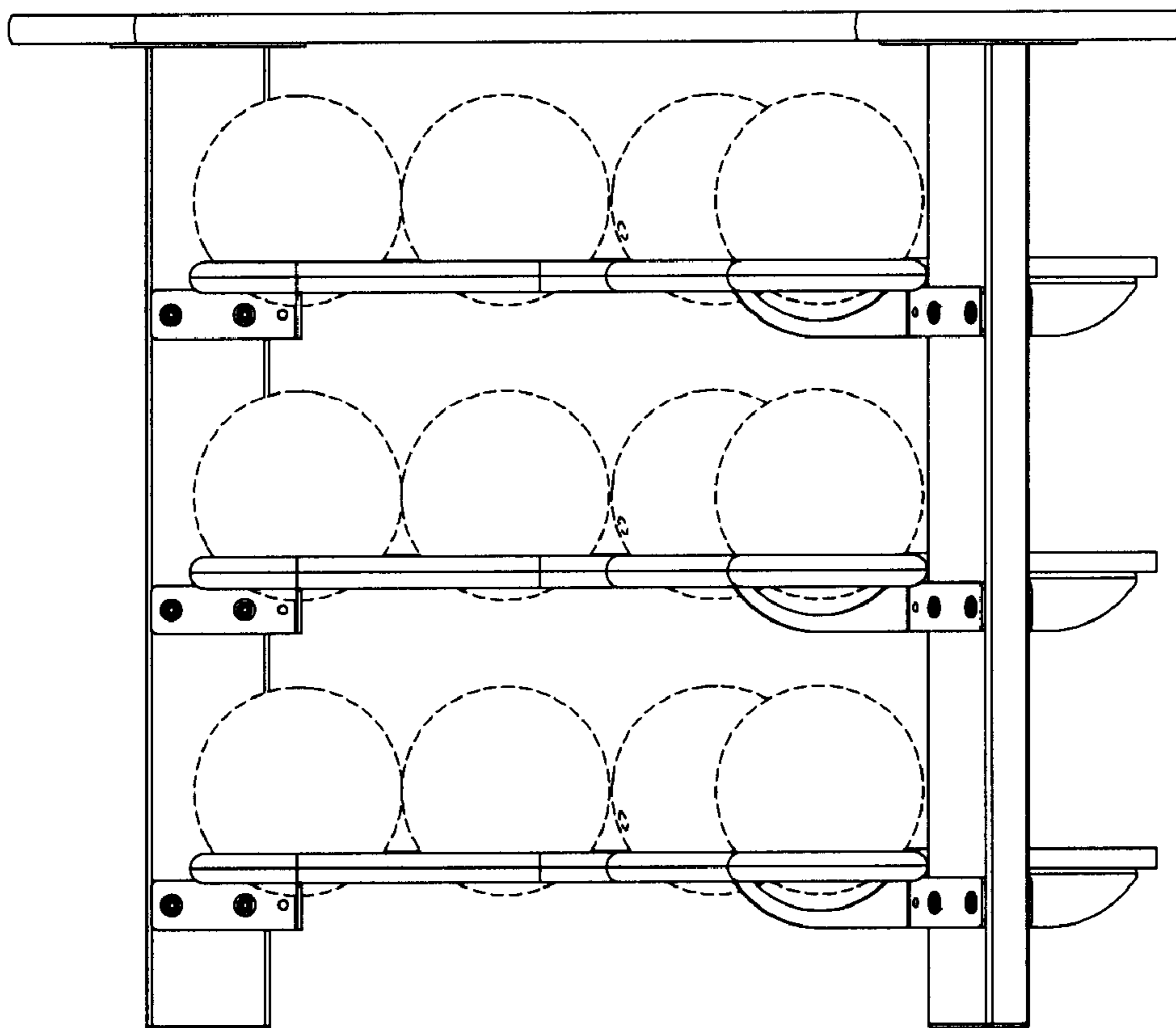
FIG. 6





**FIG. 7**





**FIG. 8**

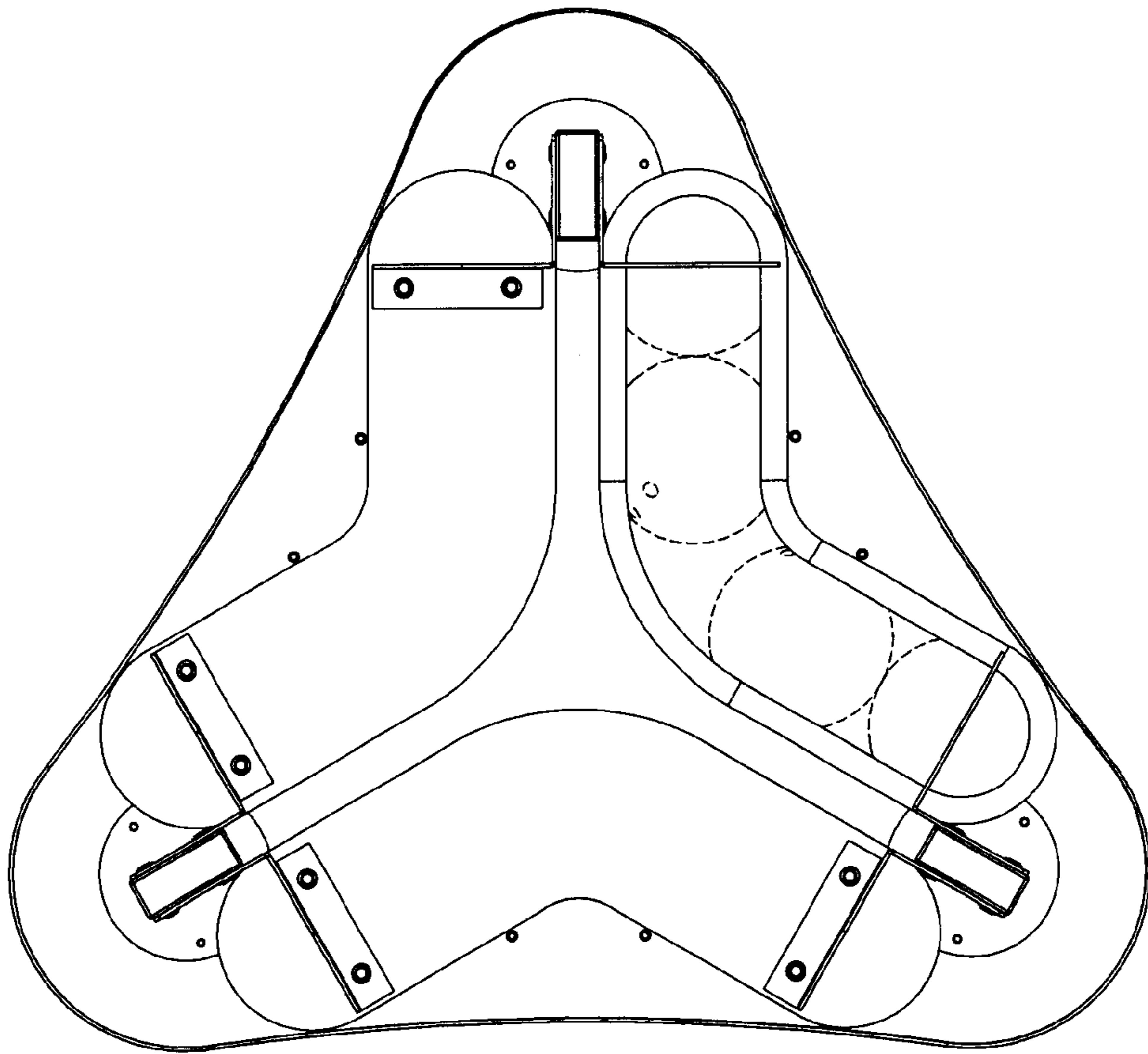


FIG. 9

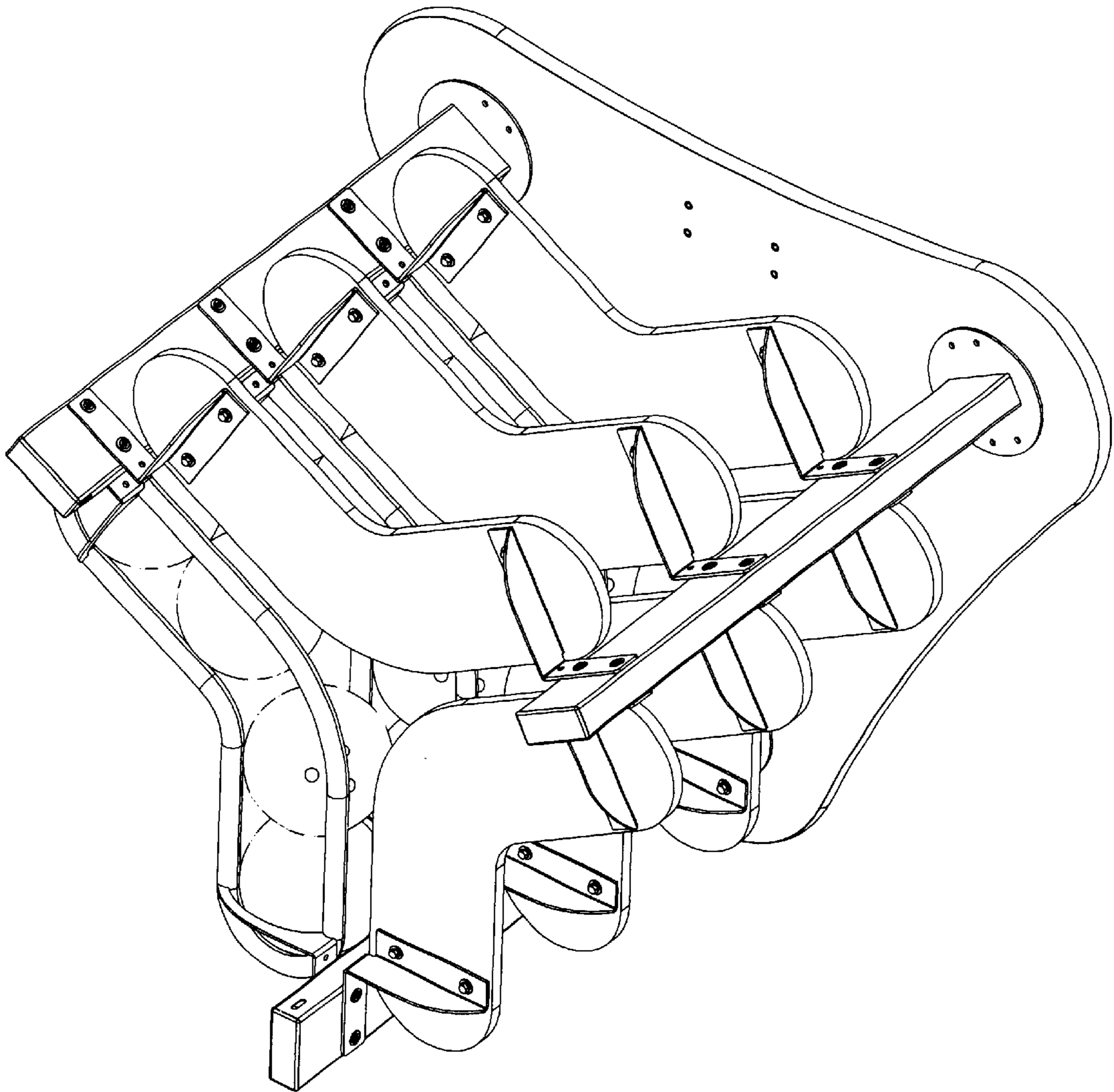


FIG. 10