



US00D488656S

(12) **United States Design Patent**  
**Messinger**

(10) **Patent No.:** **US D488,656 S**

(45) **Date of Patent:** **\*\* Apr. 20, 2004**

(54) **INSERT FOR A TOOTHBRUSH HOLDER**

(76) Inventor: **Samuel Messinger**, 4812 Pine Tree Dr.  
#17, Miami Beach, FL (US) 33140

(\*\*) Term: **14 Years**

(21) Appl. No.: **29/177,406**

(22) Filed: **Mar. 10, 2003**

(51) **LOC (7) Cl.** ..... **23-02**

(52) **U.S. Cl.** ..... **D6/528**

(58) **Field of Search** ..... D6/524, 528, 534;  
211/13.1, 60.1, 65, 66, 70.6, 70.7; 206/362.1,  
362.3, 362; 428/622, 624, 675, 676

(56) **References Cited**

**U.S. PATENT DOCUMENTS**

1,465,627	A	*	8/1923	Fisher et al.	.....	206/362	X
2,906,479	A	*	9/1959	Strachan	.....	211/65	
4,705,194	A	*	11/1987	Judge	.....	211/65	X
D341,510	S	*	11/1993	Lieberman	.....	D6/528	
D366,171	S	*	1/1996	Green	.....	D6/534	

D433,263	S	*	11/2000	Viner	.....	D6/534	
D439,781	S	*	4/2001	Spore	.....	D6/534	
6,268,040	B1	*	7/2001	McArthur	.....	206/362.1	X

\* cited by examiner

*Primary Examiner*—Brian N. Vinson  
(74) *Attorney, Agent, or Firm*—Pendorf & Cutliff

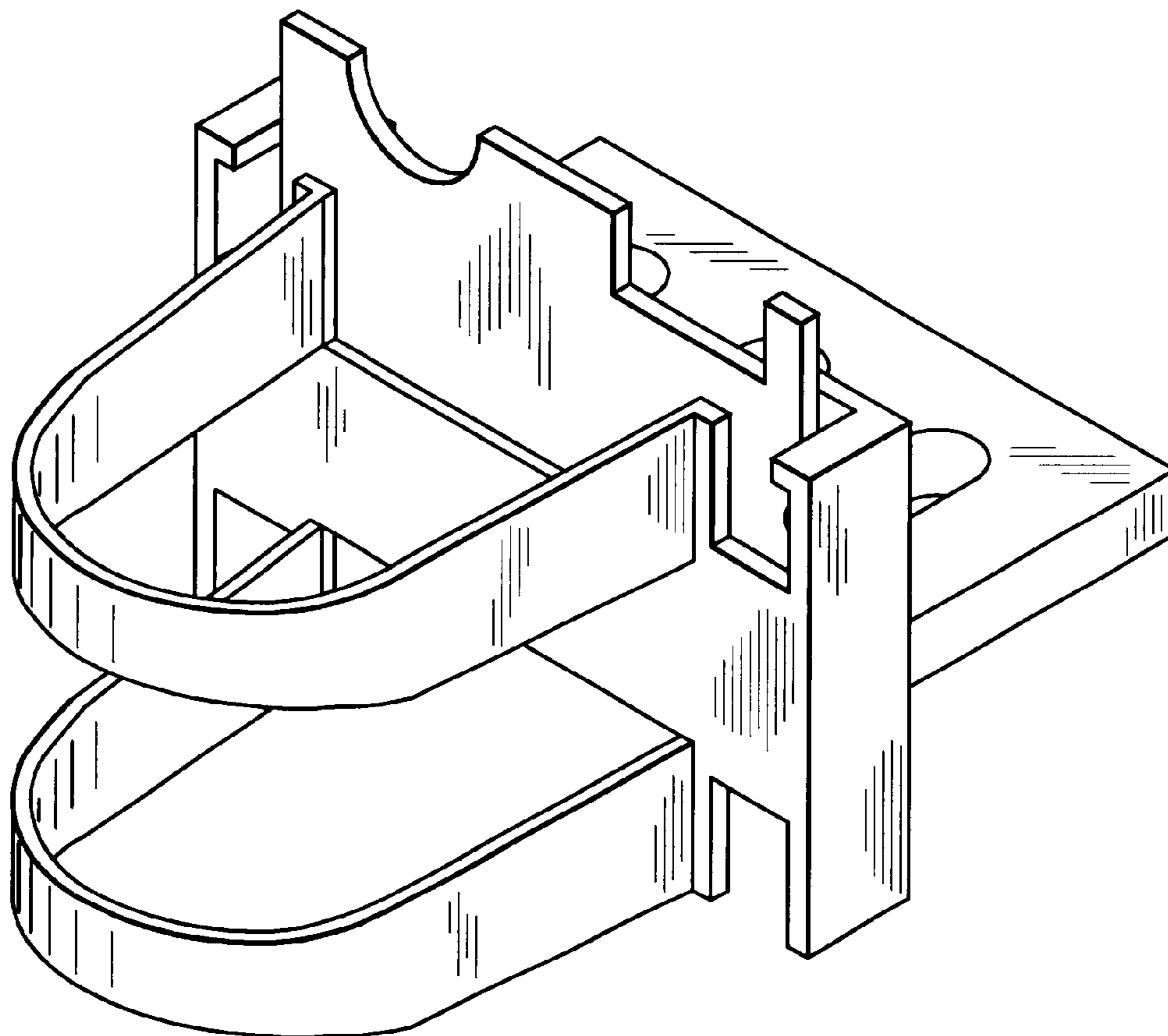
(57) **CLAIM**

The ornamental design for an insert for a toothbrush holder, as shown and described.

**DESCRIPTION**

FIG. 1 is a perspective view of a toothbrush holder having an insert according to the present invention; FIG. 2 is a top view of the design shown in FIG. 1; FIG. 3 is a bottom view of the design shown in FIG. 1; FIG. 4 is a left side view of the design shown in FIG. 1; FIG. 5 is a right side view of the design shown in FIG. 1; FIG. 6 is a front view of the design shown in FIG. 1; and, FIG. 7 is a back view of the design shown in FIG. 1.

**1 Claim, 2 Drawing Sheets**



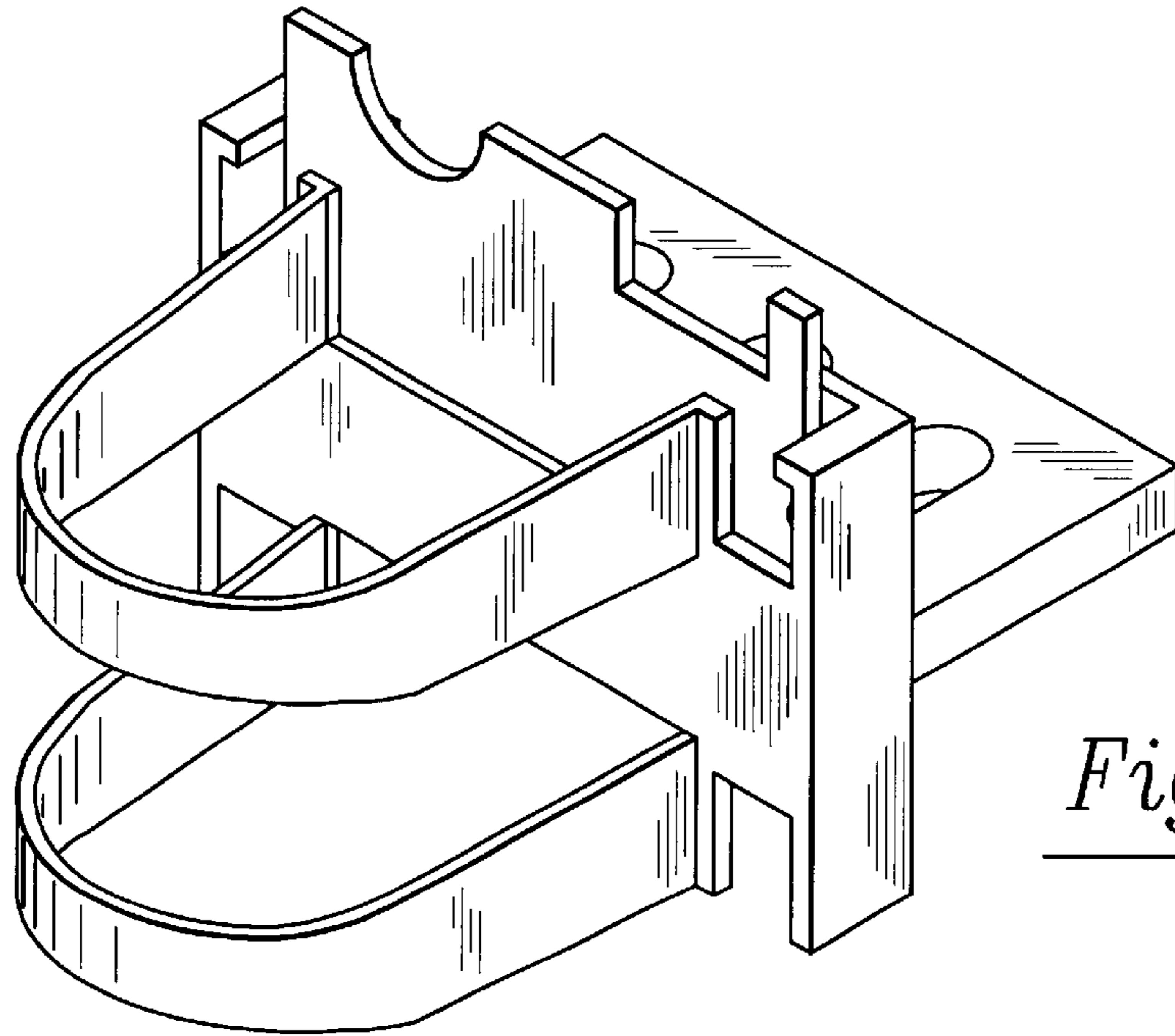


Fig. 1

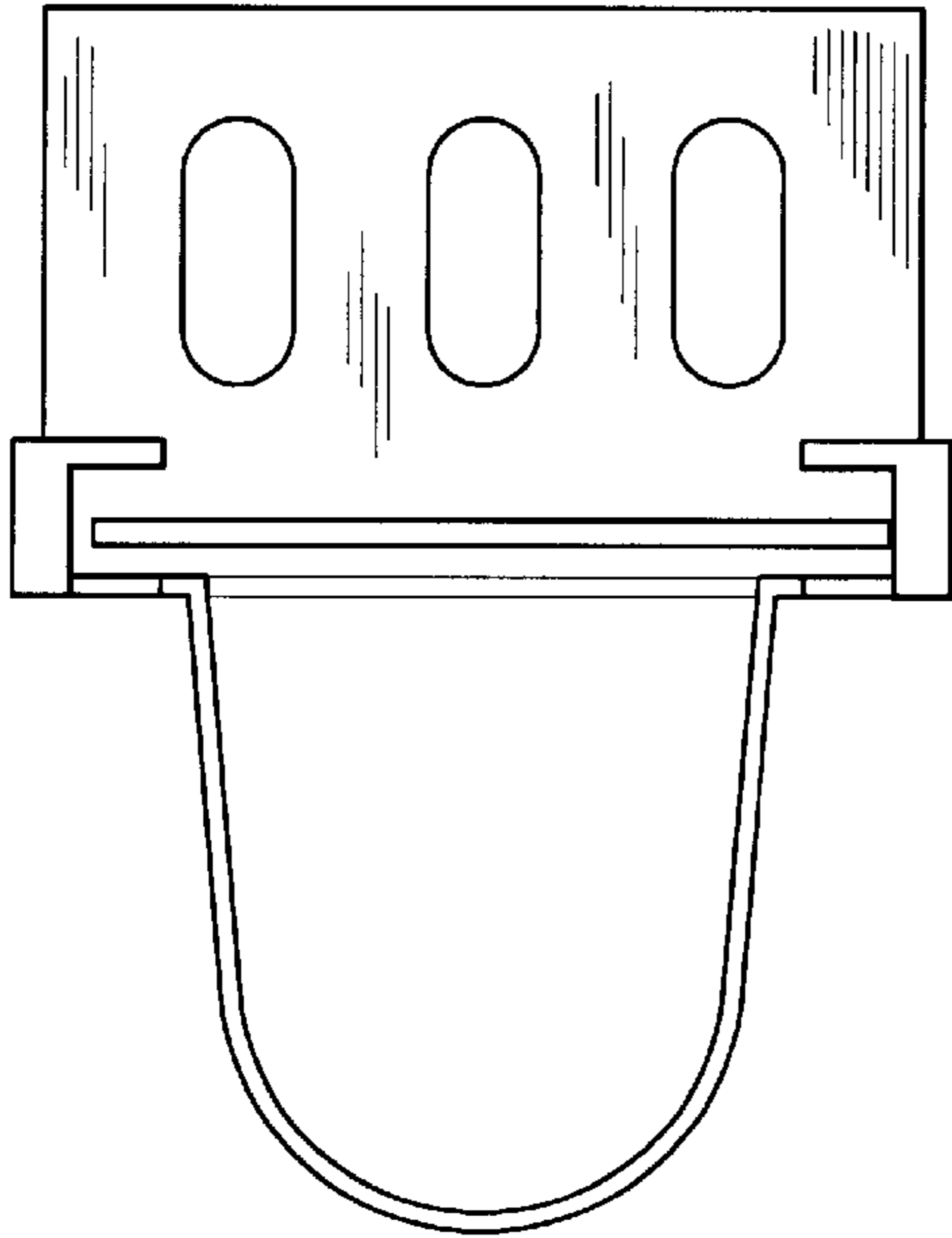


Fig. 2

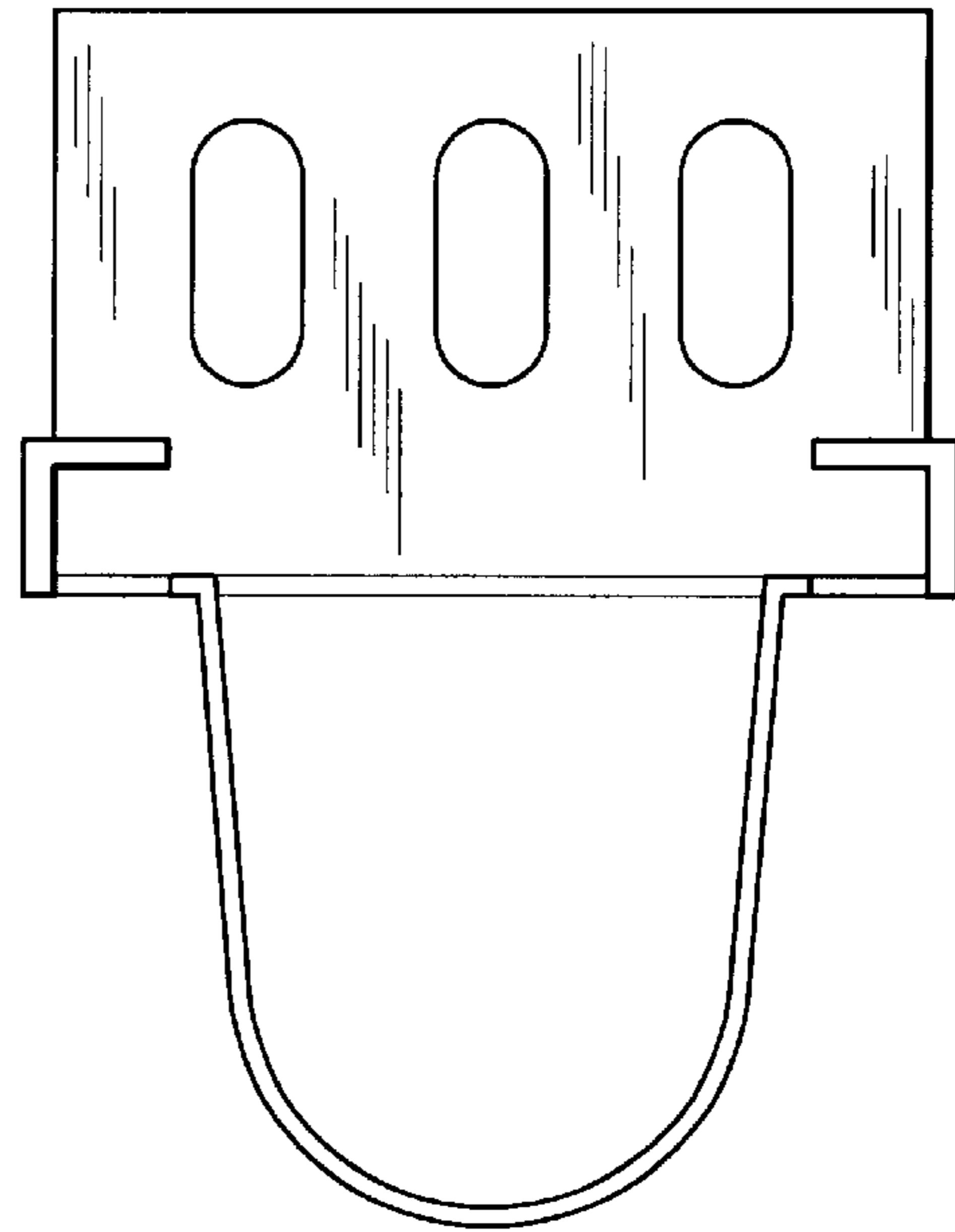


Fig. 3

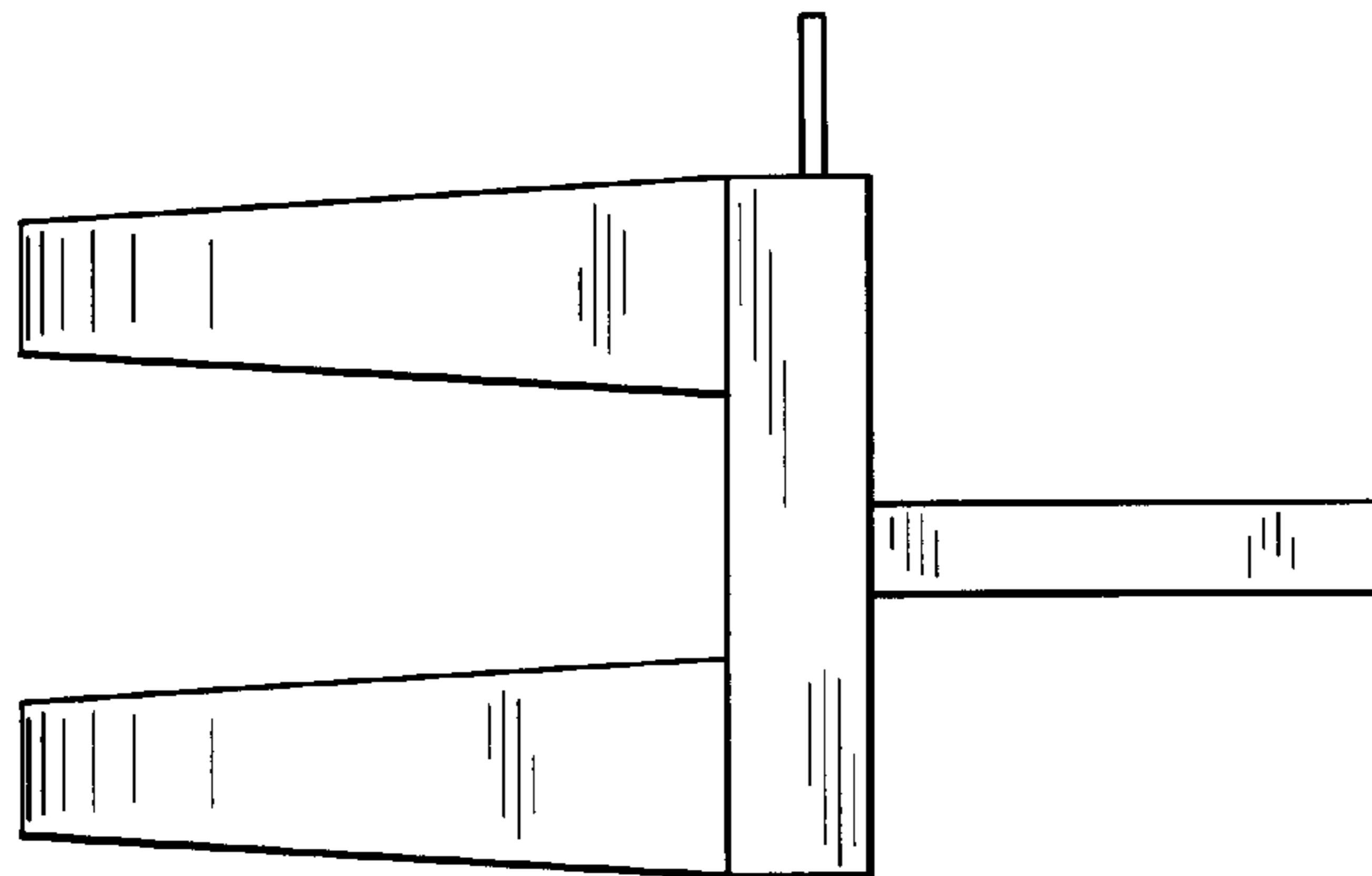


Fig. 4

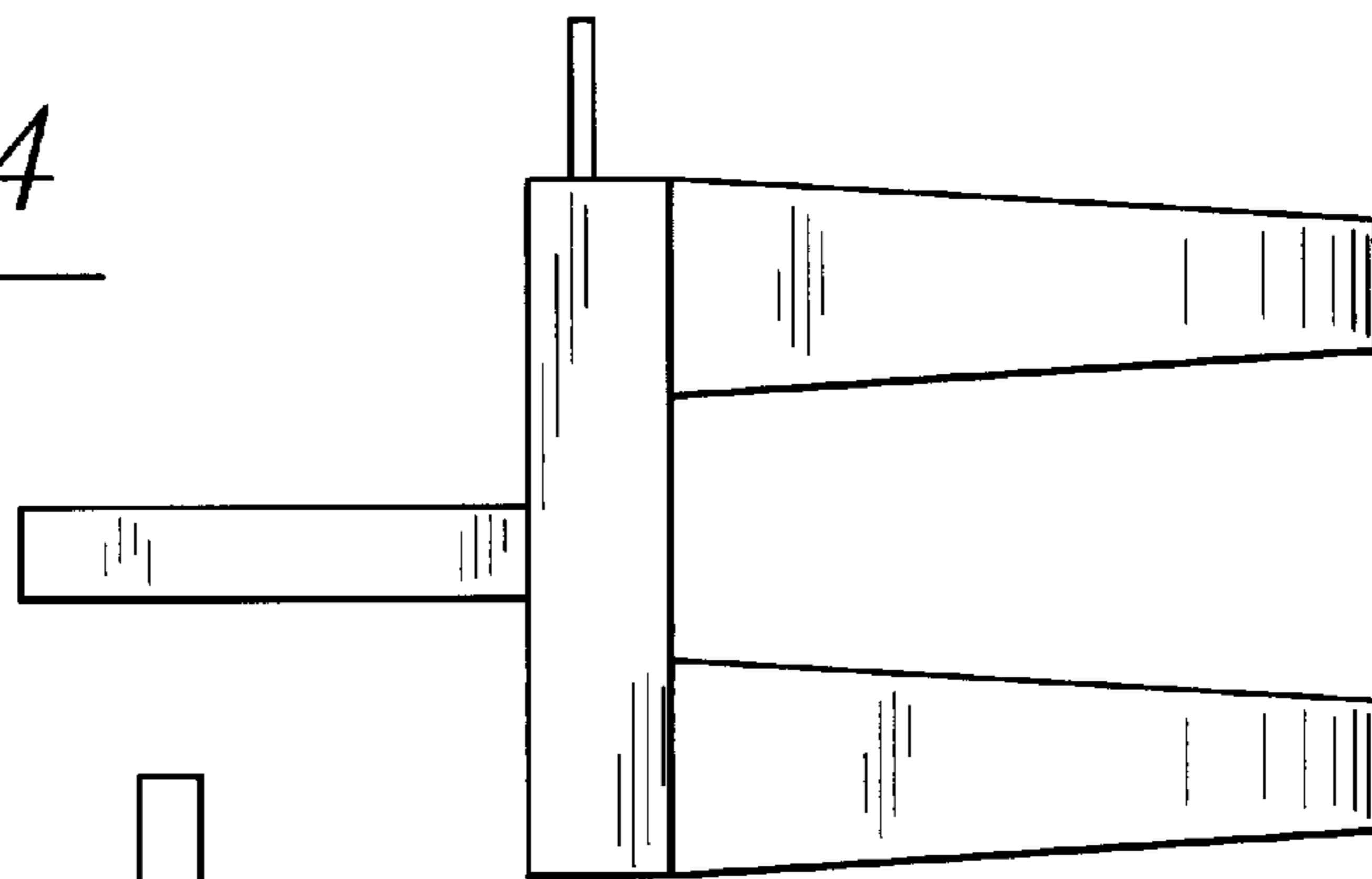


Fig. 5

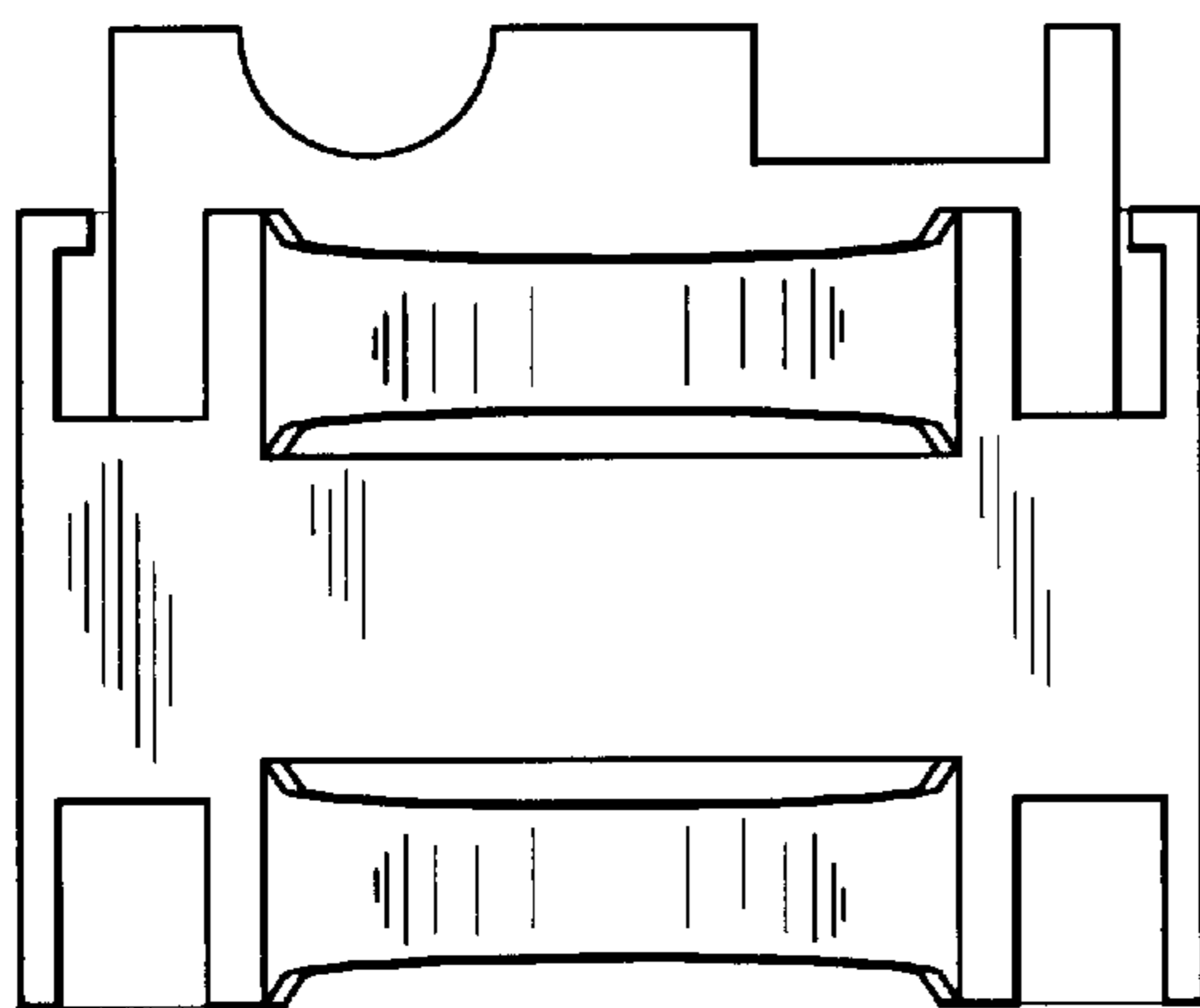


Fig. 6

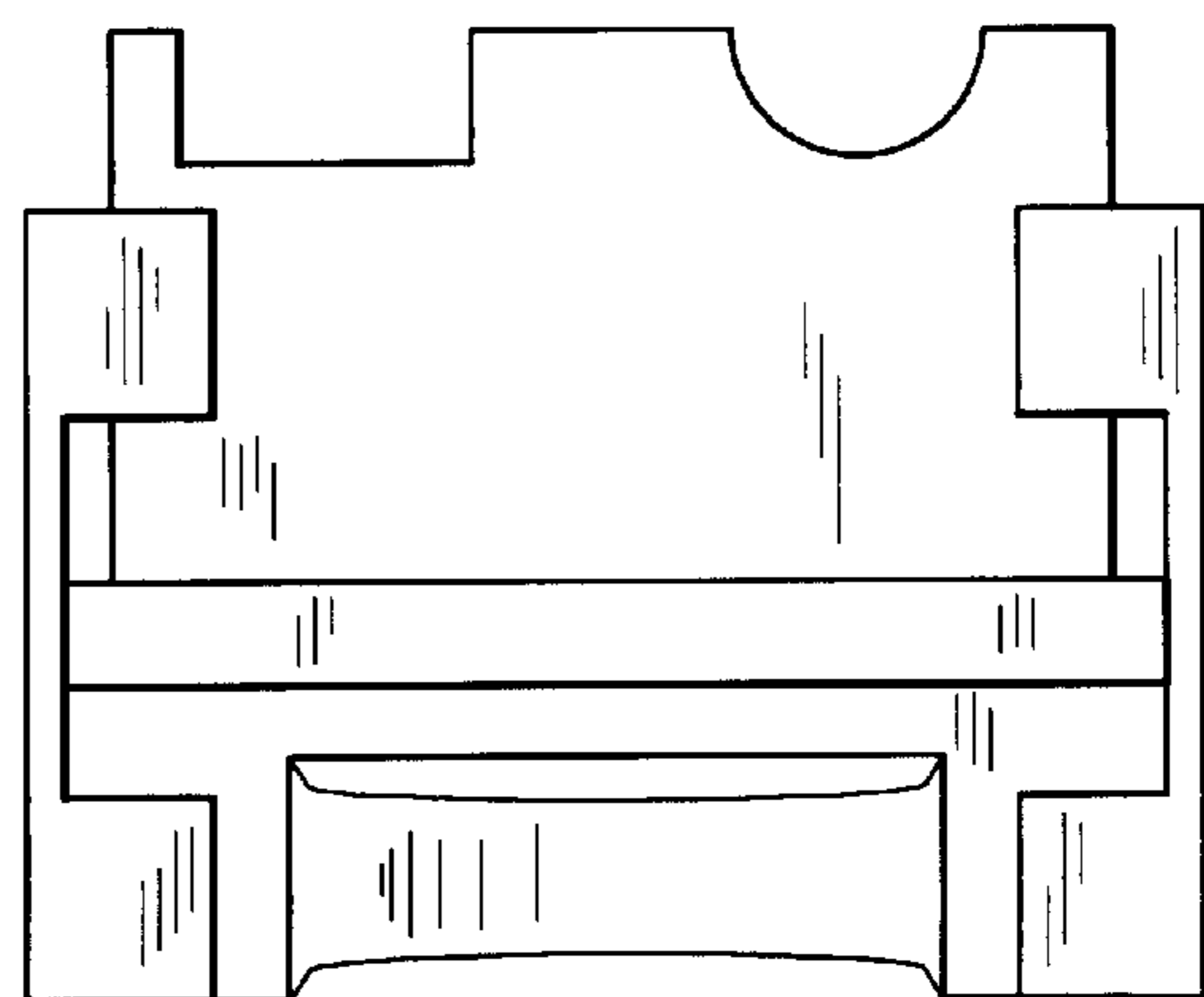


Fig. 7