



US00D488654S

(12) **United States Design Patent**
Omdoll et al.

(10) **Patent No.:** **US D488,654 S**

(45) **Date of Patent:** **** Apr. 20, 2004**

(54) **LOW COST ROLL DISPENSER**

(75) Inventors: **Paul Omdoll**, Waukesha, WI (US);
Scott Collins, Milwaukee, WI (US)

(73) Assignee: **The Colman Group, Inc.**, Elkhorn, MI (US)

(**) Term: **14 Years**

(21) Appl. No.: **29/172,919**

(22) Filed: **Dec. 18, 2002**

(51) **LOC (7) Cl.** **20-02**

(52) **U.S. Cl.** **D6/518**

(58) **Field of Search** D6/515, 518, 522,
D6/523; 242/570, 590, 595; 312/34.1, 34.22,
34.24

(56) **References Cited**

U.S. PATENT DOCUMENTS

2,334,689	A	11/1943	Wooster	
2,957,738	A	10/1960	Marcuse	
3,294,460	A	12/1966	Wooster	
3,489,361	A	1/1970	Marion	
4,236,679	A	12/1980	Jespersen	
D339,705	S	* 9/1993	Howard et al. D6/522
5,400,982	A	3/1995	Collins	
5,645,244	A	7/1997	Moody	
D419,805	S	* 2/2000	Fluegge et al. D6/522
D426,412	S	* 6/2000	Cameron D6/522
D436,774	S	* 1/2001	Engelstein et al. D6/522
D441,231	S	* 5/2001	Purcell et al. D6/522

6,302,351	B1	10/2001	Omdoll et al.	
D452,095	S	* 12/2001	Phelps et al. D6/522
6,412,655	B1	7/2002	Stuetzel et al.	
6,412,679	B2	7/2002	Formon et al.	
6,419,113	B1	7/2002	Tramontina	

* cited by examiner

Primary Examiner—Brian N. Vinson

(74) *Attorney, Agent, or Firm*—Adam L. Brookman;
Godfrey & Kahn, S.C.

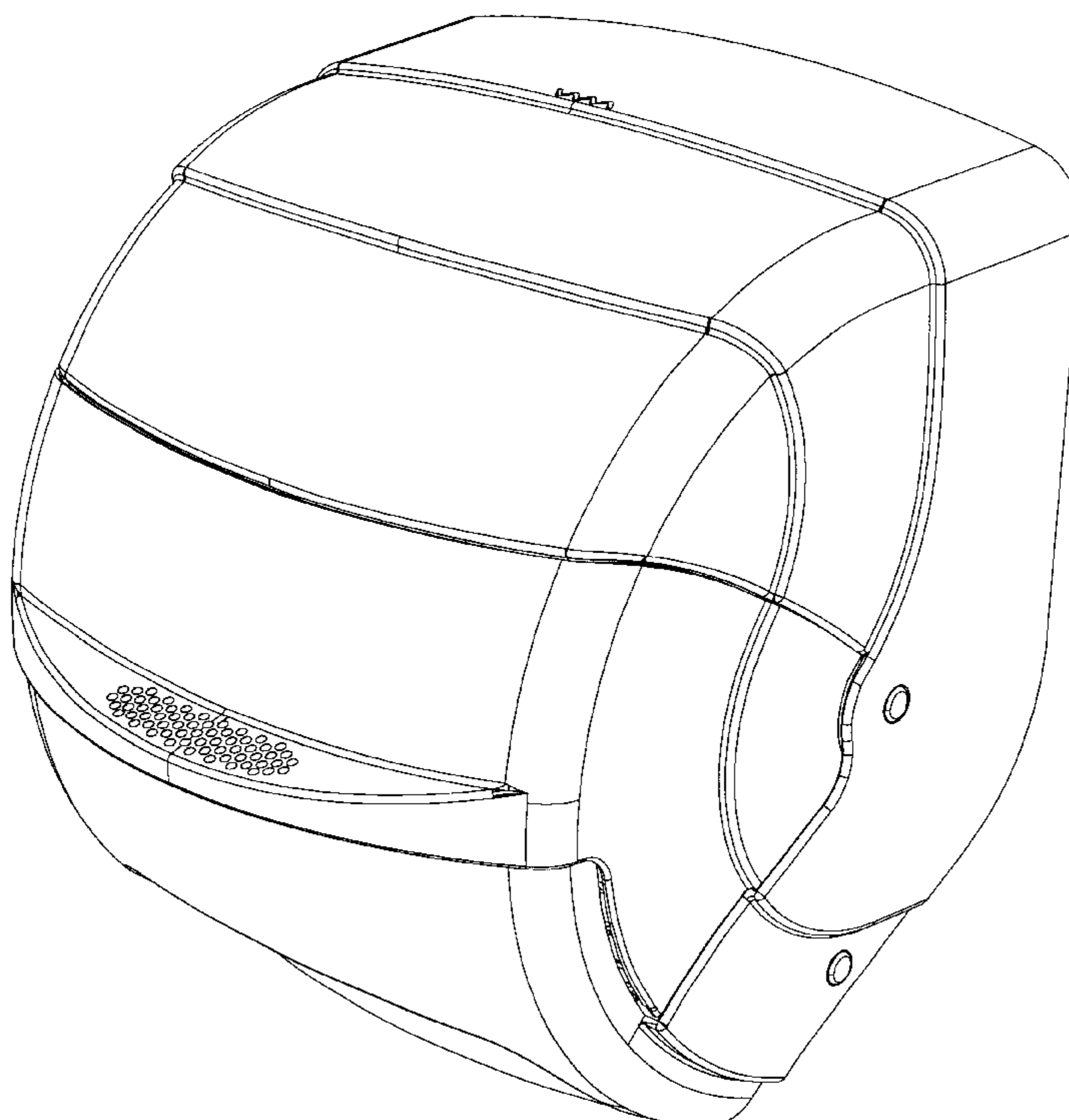
(57) **CLAIM**

The ornamental design for a low cost roll dispenser, as shown and described.

DESCRIPTION

FIG. 1 is a perspective view of the low cost roll dispenser showing the new design;
 FIG. 2 is a top plan view of the low cost roll dispenser showing the new design;
 FIG. 3 is a front view of the low cost roll dispenser showing the new design;
 FIG. 4 is a bottom plan view of the low cost roll dispenser showing the new design;
 FIG. 5 is a left side view of the low cost roll dispenser showing a new design, with the right side substantially a mirror image thereof; and,
 FIG. 6 is a perspective view of the low cost roll dispenser showing the new design, shown with a portion removed therefrom.

1 Claim, 6 Drawing Sheets



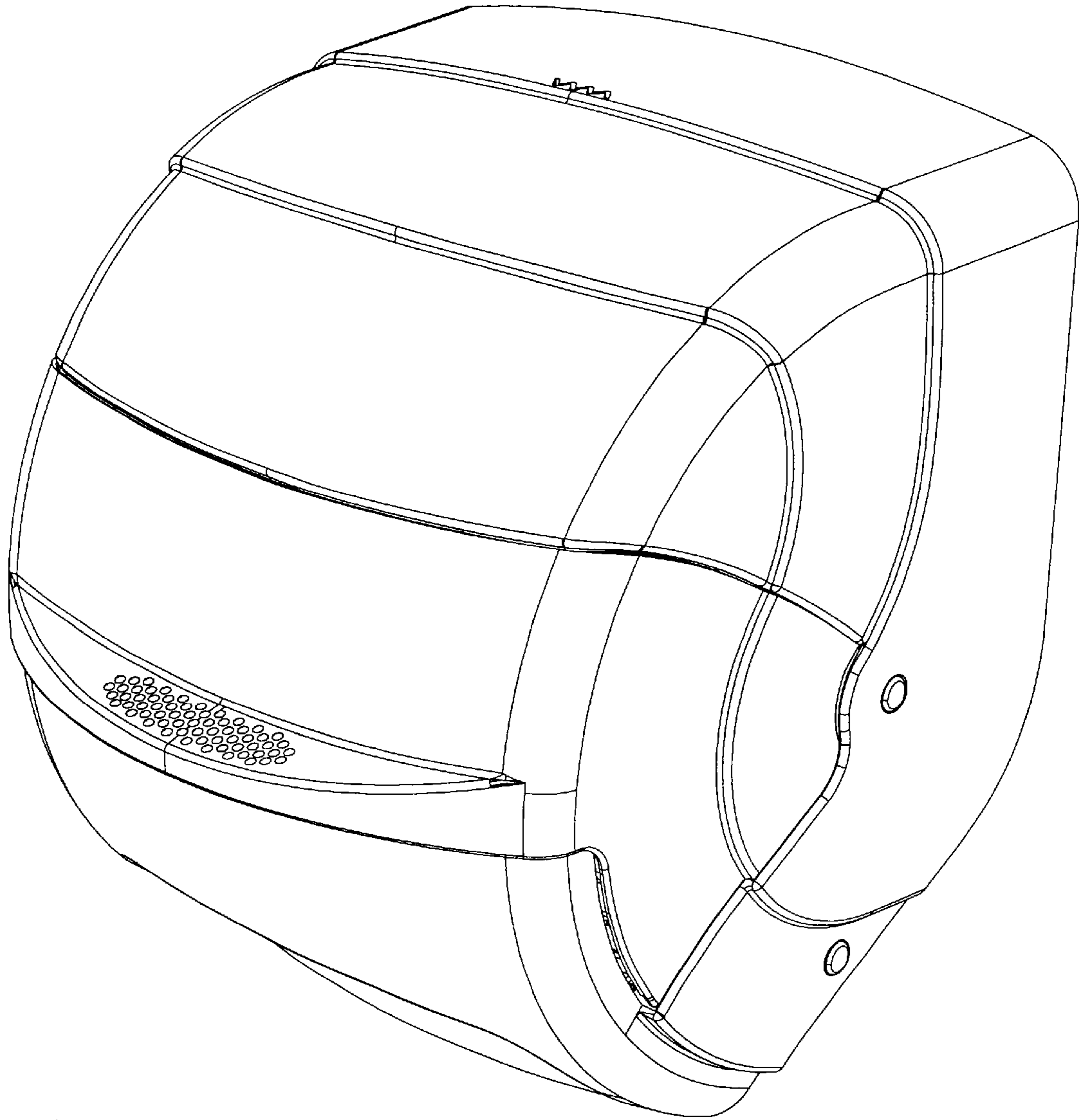


Fig. 1

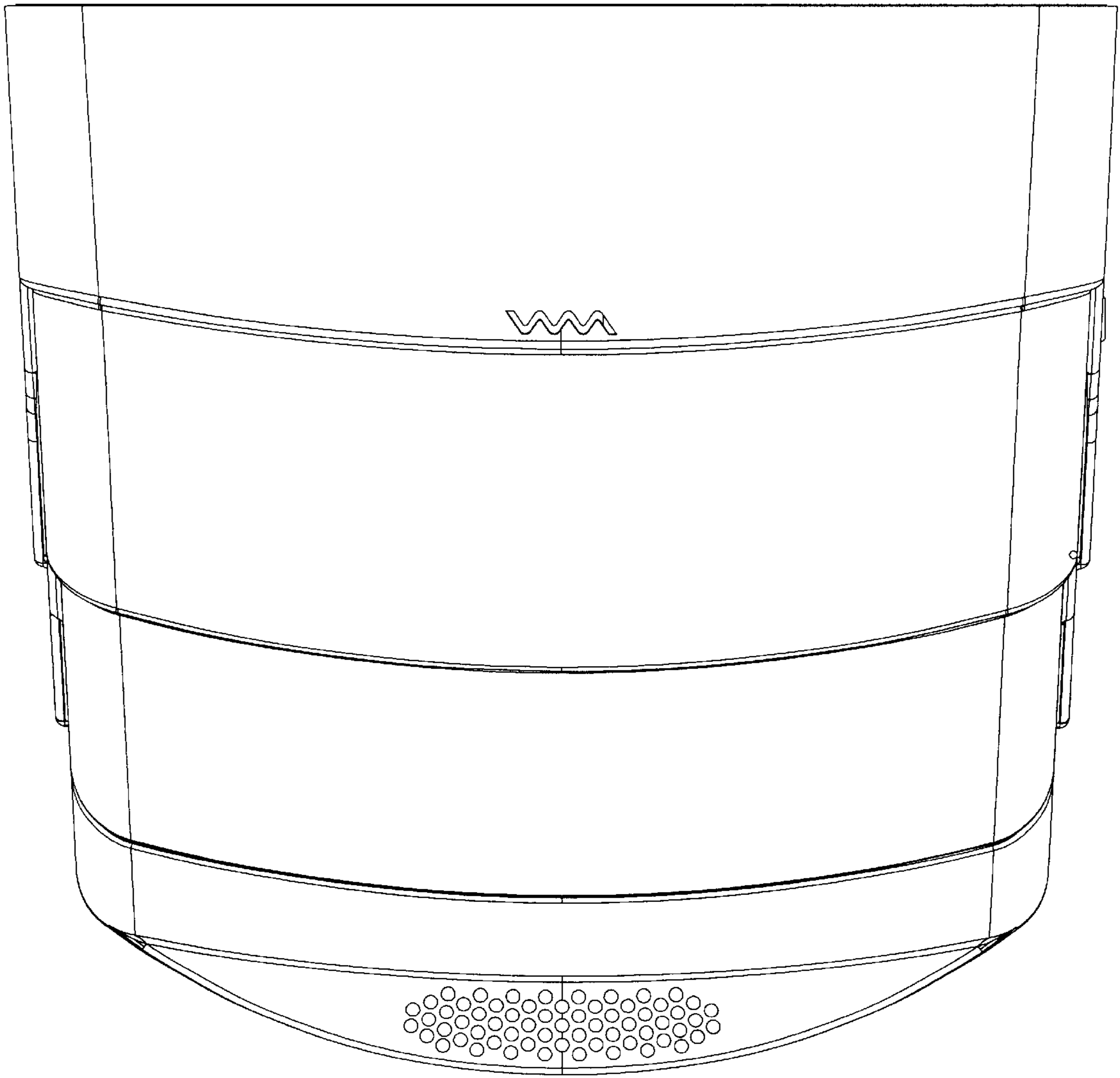


Fig. 2

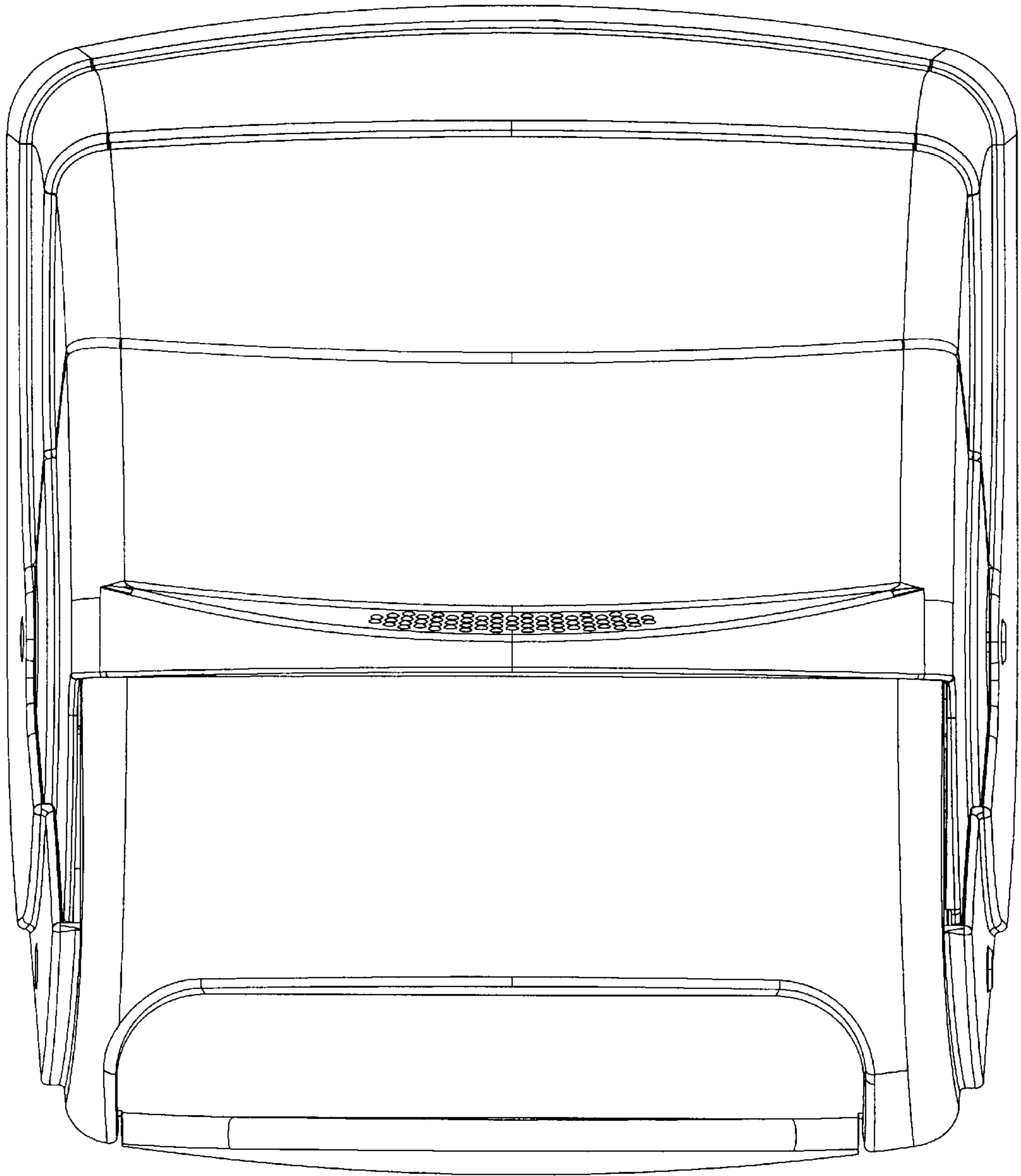


Fig. 3

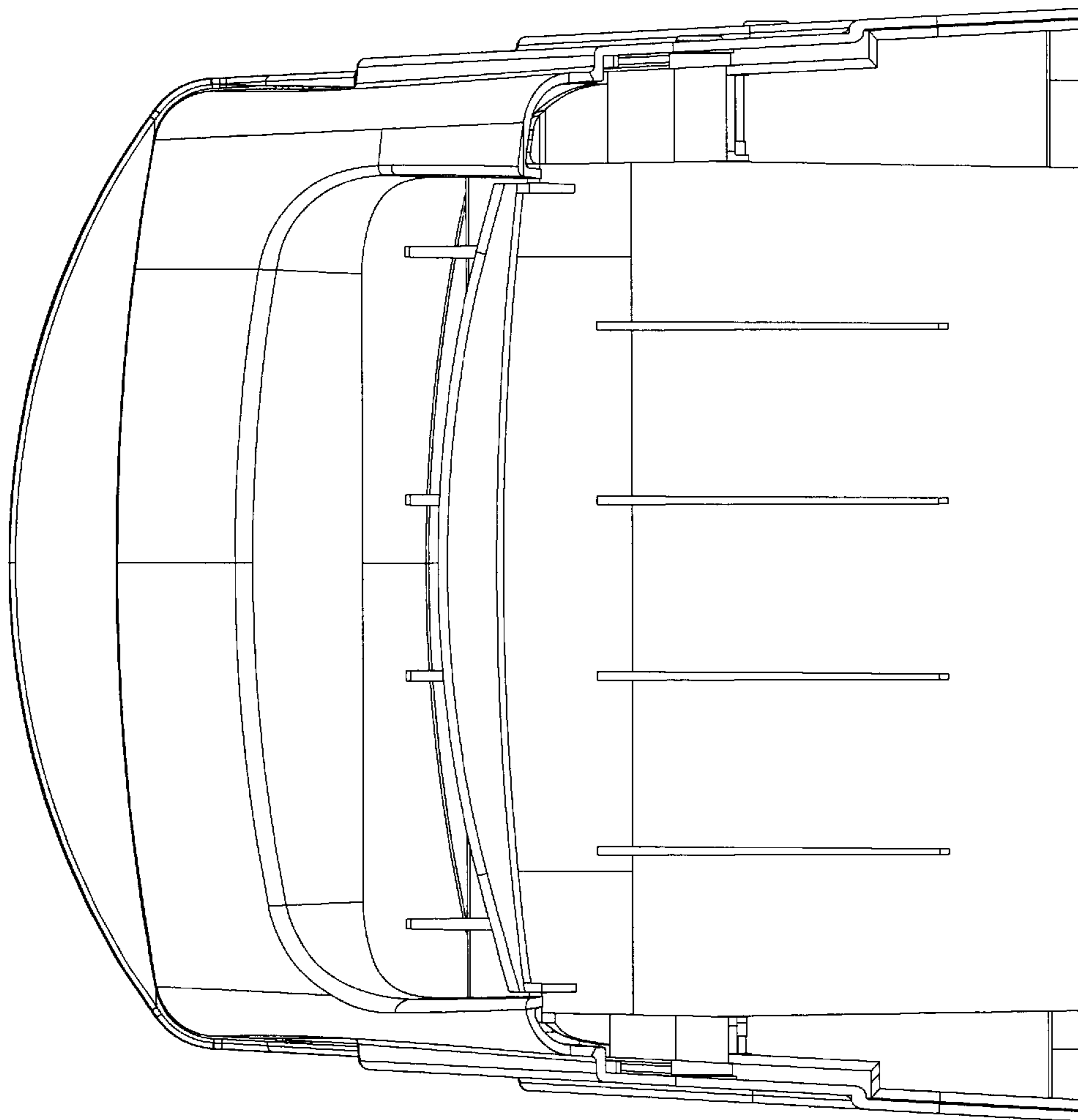


Fig. 4

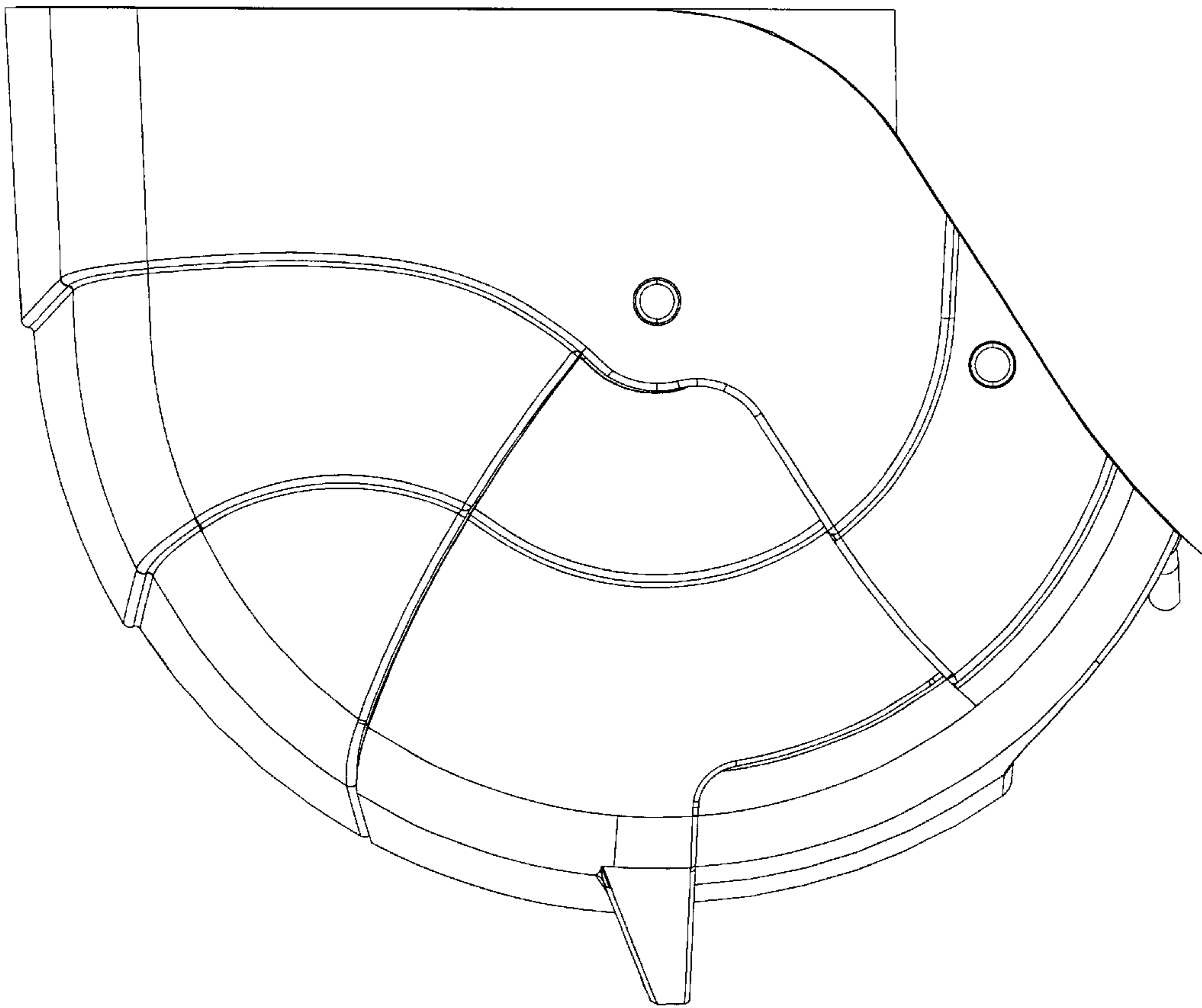


Fig. 5

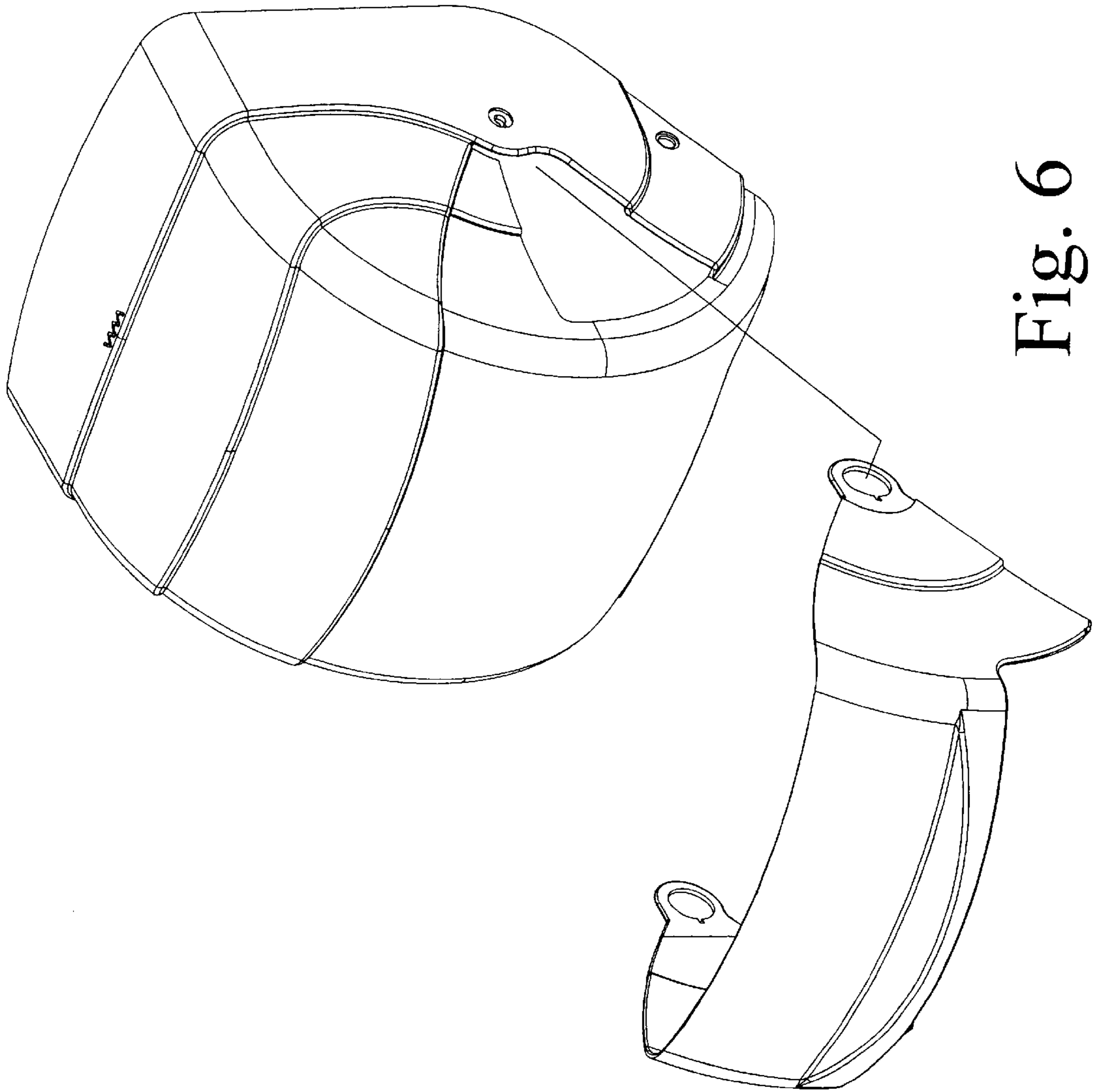


Fig. 6