



US00D488652S

(12) **United States Design Patent**  
**Lee**

(10) **Patent No.:** **US D488,652 S**

(45) **Date of Patent:** **\*\* Apr. 20, 2004**

(54) **CHAIR ARMREST**

(76) Inventor: **Wan-Chen Lee**, 58, Ma Yuan West St.,  
Taichung (TW)

(\*\*) Term: **14 Years**

(21) Appl. No.: **29/180,970**

(22) Filed: **Apr. 30, 2003**

(51) **LOC (7) Cl.** ..... **06-00**

(52) **U.S. Cl.** ..... **D6/501; D6/366**

(58) **Field of Search** ..... D6/334, 335, 364,  
D6/365, 366, 367, 500, 501, 502; 297/411.2,  
411.27, 463.1

(56) **References Cited**

**U.S. PATENT DOCUMENTS**

D407,911 S	*	4/1999	Brauning	.....	D6/366
D440,437 S	*	4/2001	Beaulieu	.....	D6/501
D446,062 S	*	8/2001	Su	.....	D6/501
D446,411 S	*	8/2001	Ho	.....	D6/500
D450,958 S	*	11/2001	Beaulieu	.....	D6/501

D451,293 S	*	12/2001	Su	.....	D6/366
D453,079 S	*	1/2002	Ma	.....	D6/366
D471,388 S	*	3/2003	Wang	.....	D6/501
D477,469 S	*	7/2003	Brooks	.....	D6/366

\* cited by examiner

*Primary Examiner*—Gary D. Watson

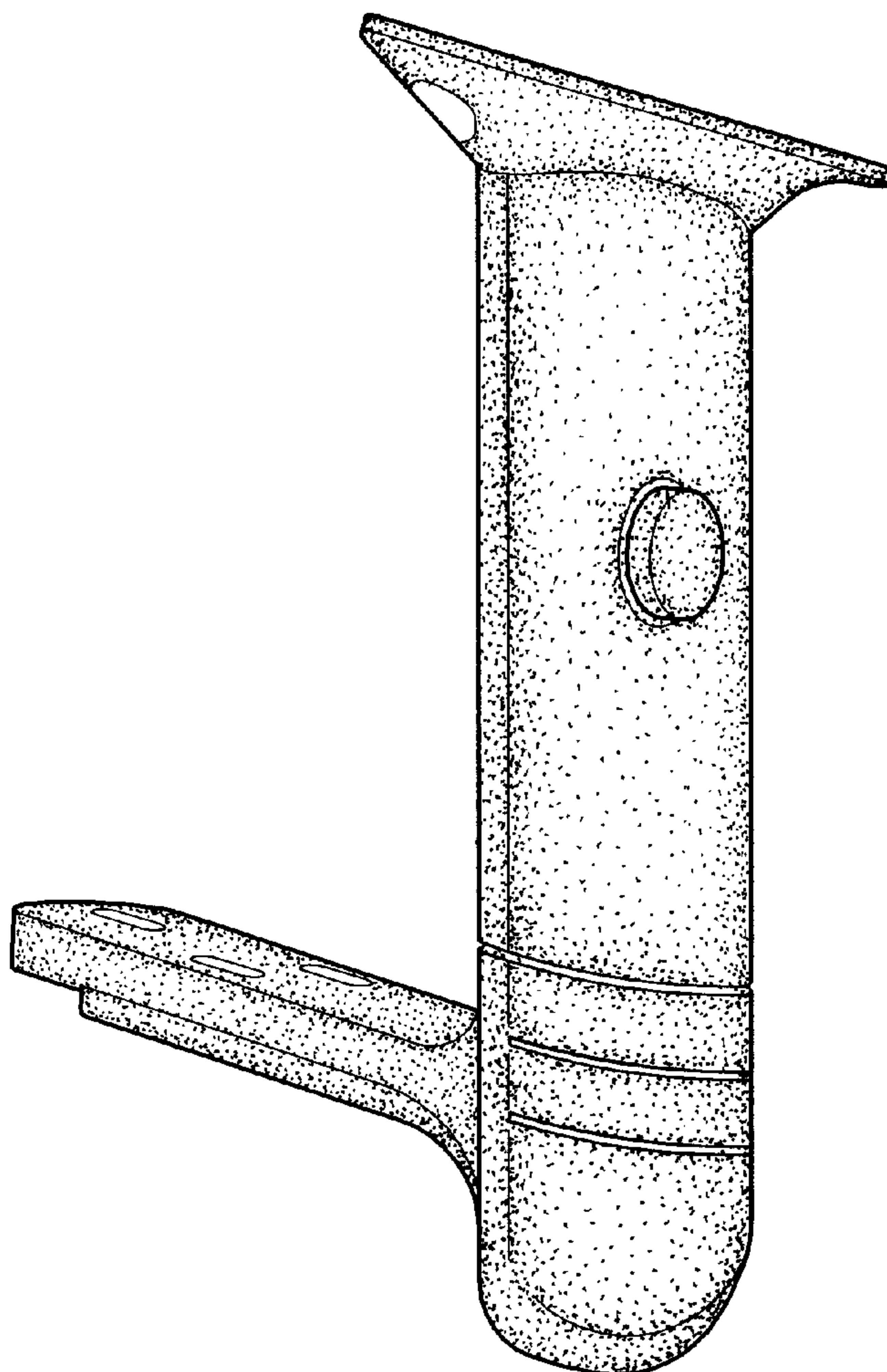
(57) **CLAIM**

The ornamental design for a chair armrest, as shown and described.

**DESCRIPTION**

FIG. 1 is a perspective view of a chair armrest showing my design;  
FIG. 2 is a front elevational view thereof;  
FIG. 3 is a rear elevational view thereof;  
FIG. 4 is a left side elevational view thereof;  
FIG. 5 is a right side elevational view thereof;  
FIG. 6 is a top plan view thereof; and,  
FIG. 7 is a bottom plan view thereof.

**1 Claim, 4 Drawing Sheets**



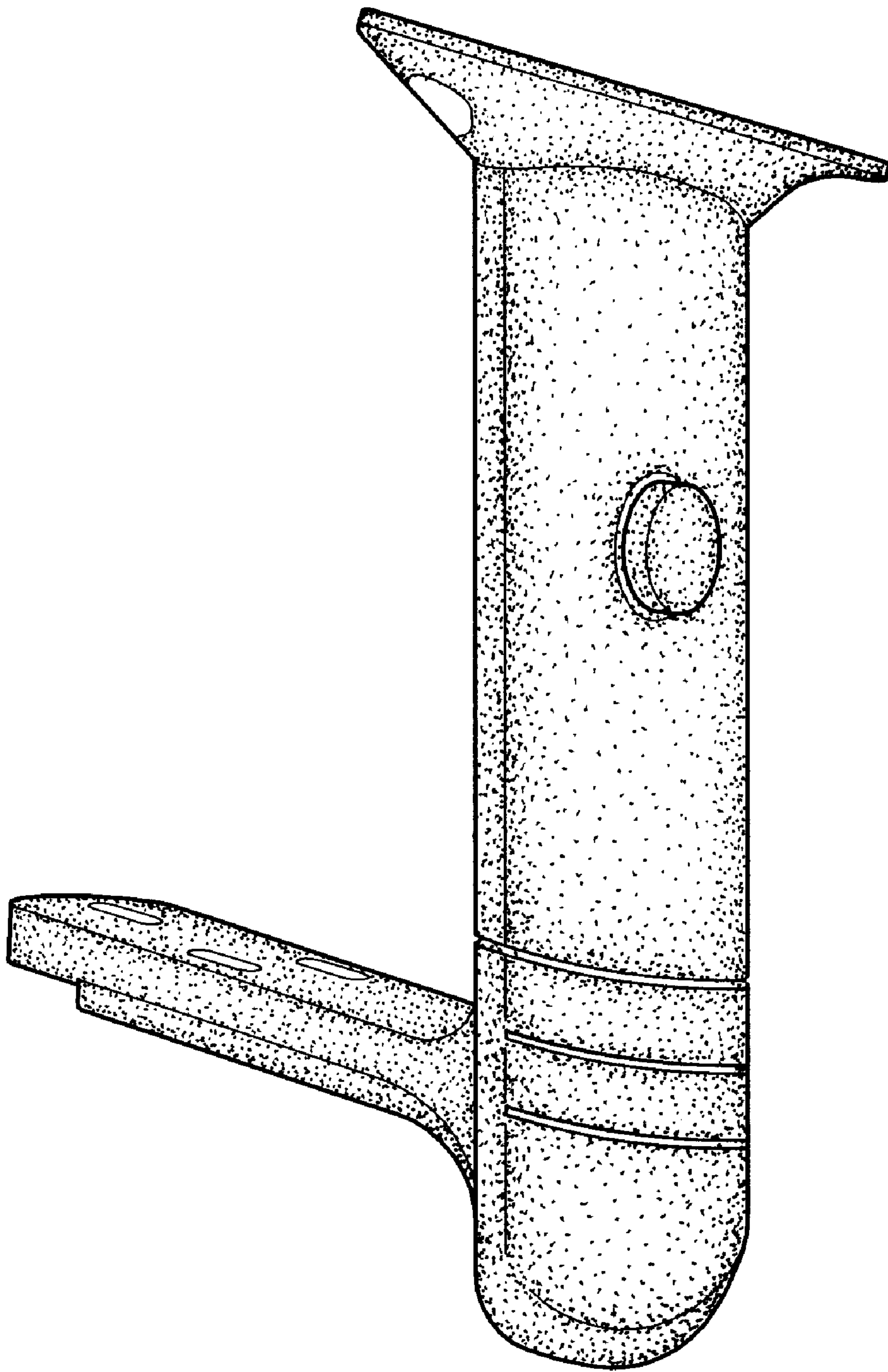


FIG. 1

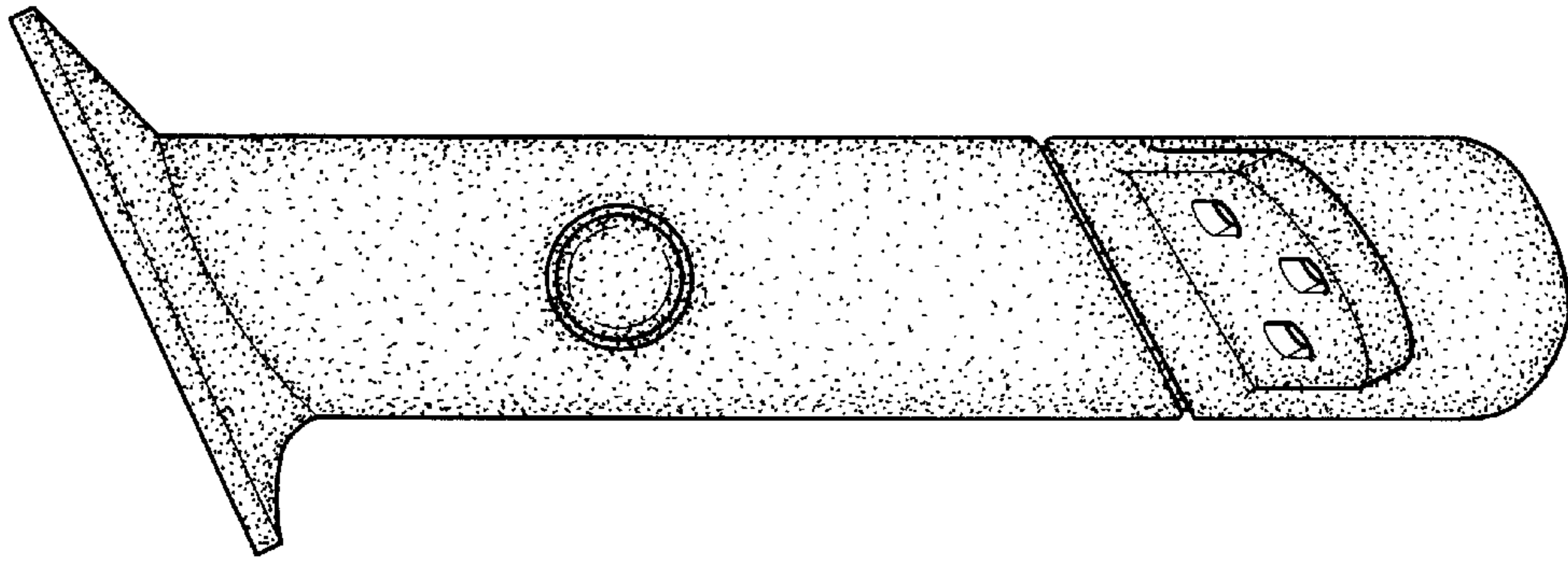


FIG. 3

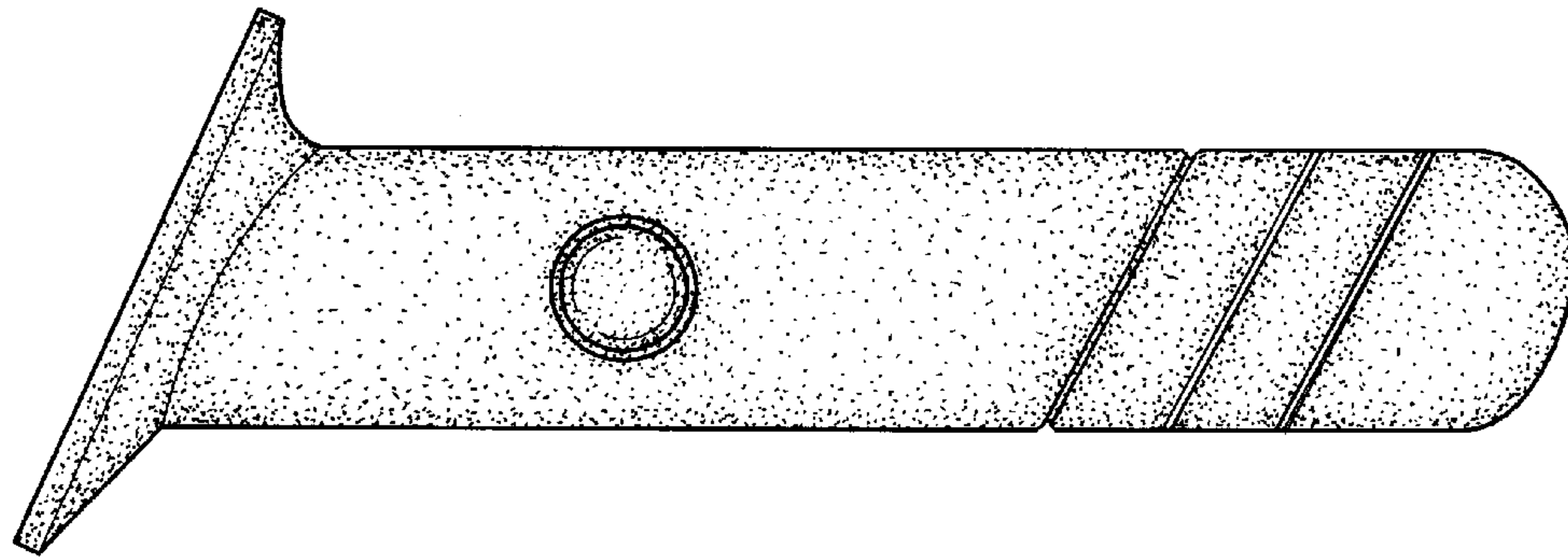


FIG. 2



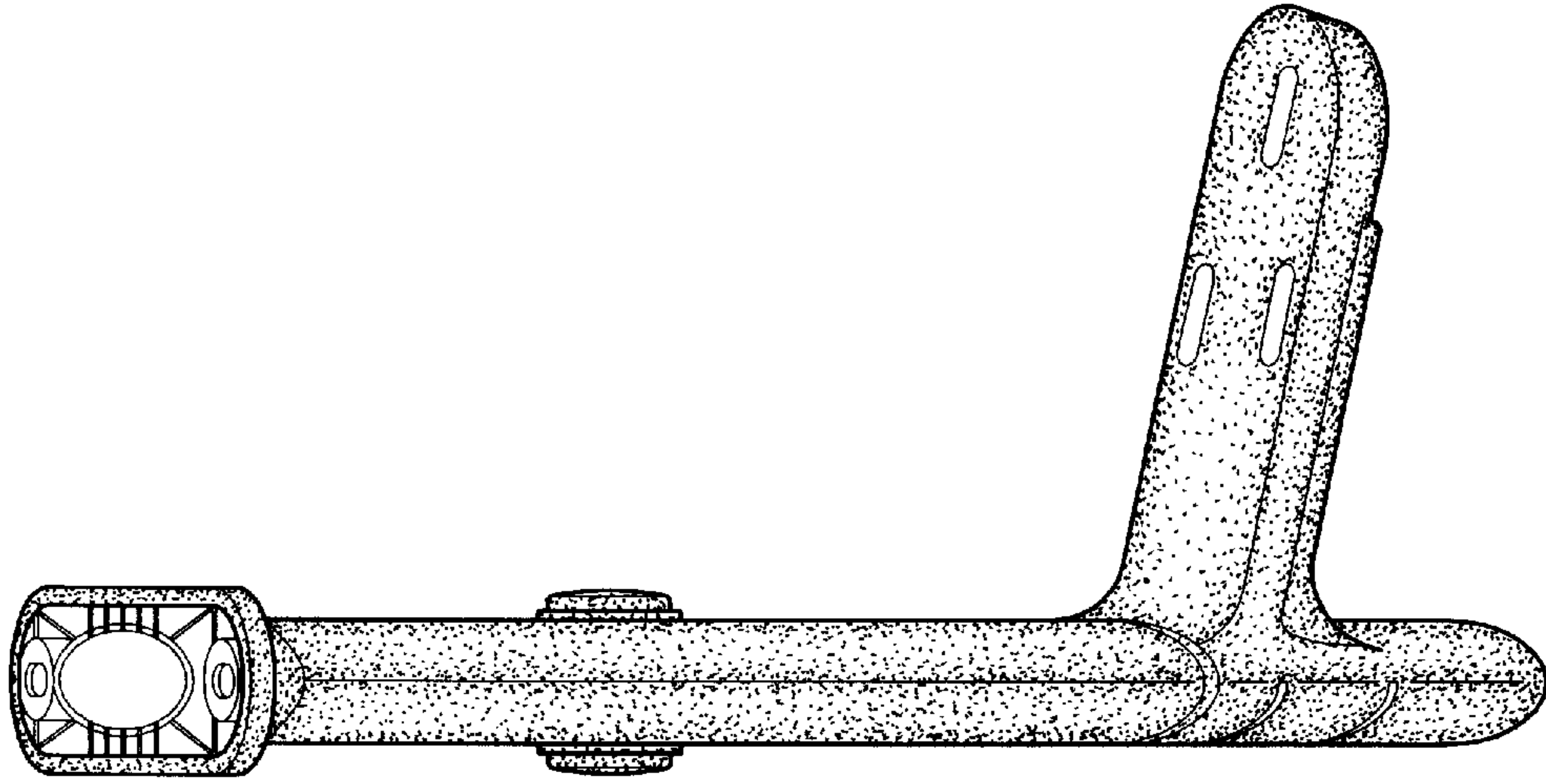


FIG. 5

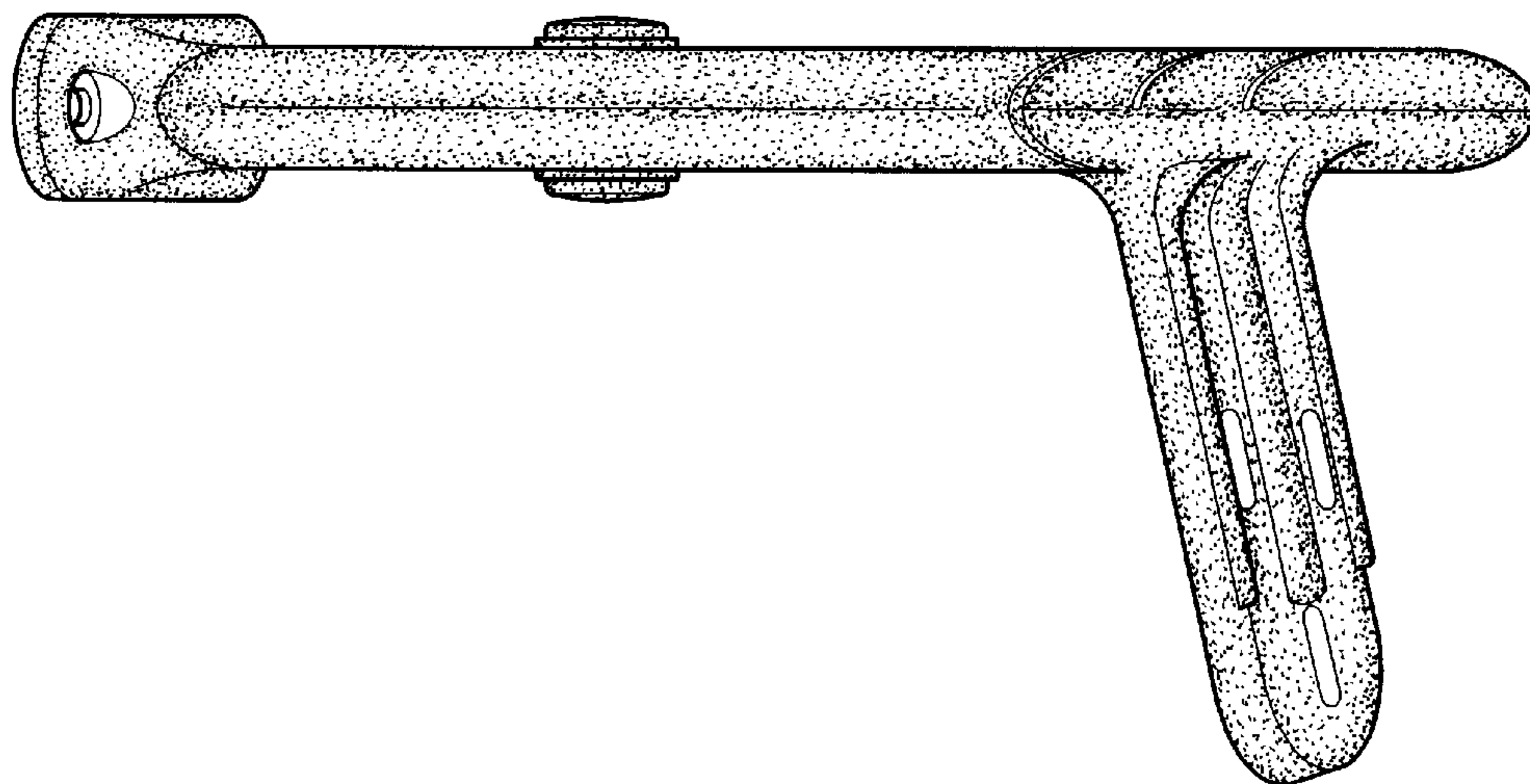


FIG. 4

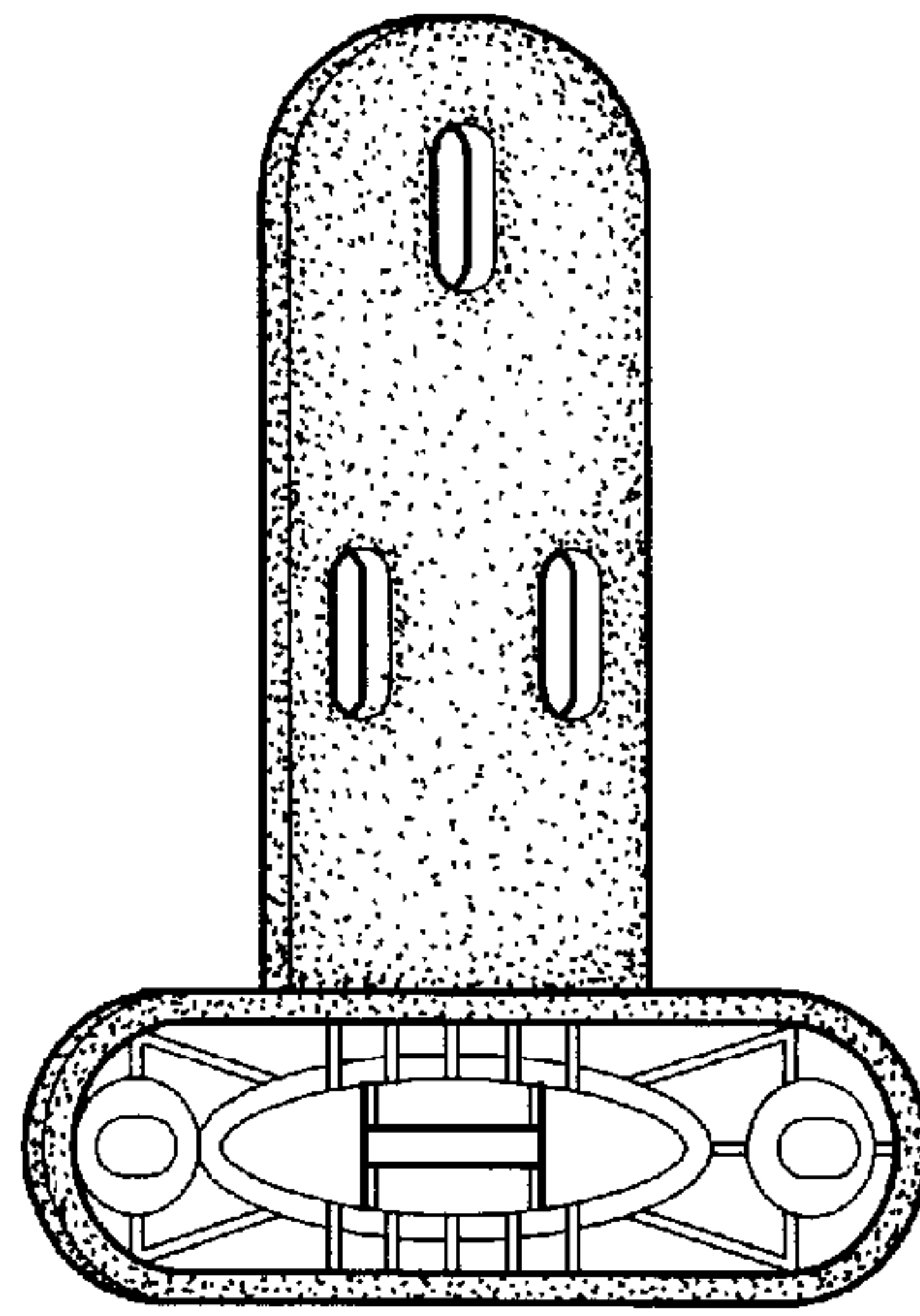


FIG. 6

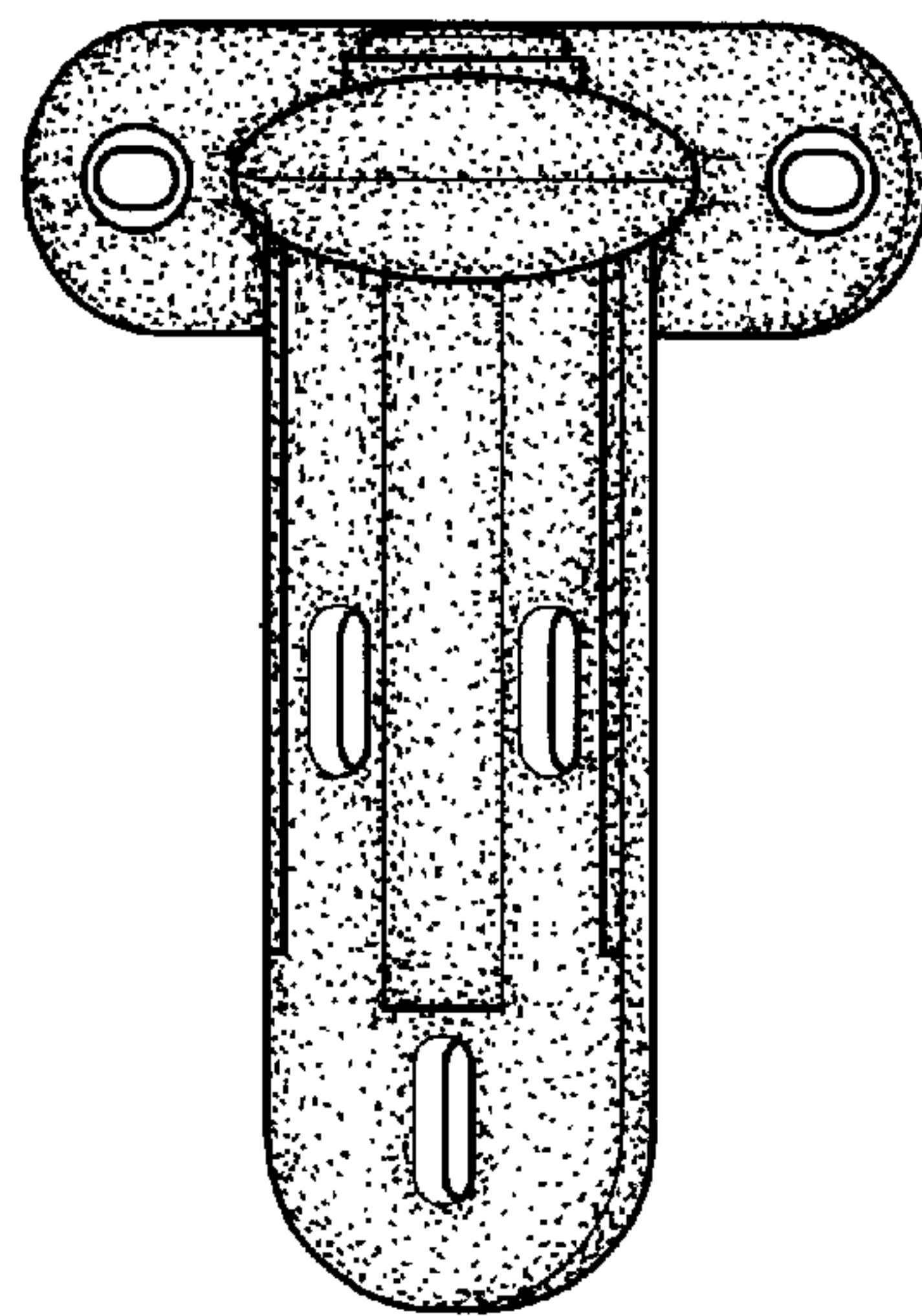


FIG. 7