



US00D488651S

(12) **United States Design Patent**
Muenzberg

(10) **Patent No.:** **US D488,651 S**

(45) **Date of Patent:** **** Apr. 20, 2004**

(54) **MODULE FOR A TEMPORARY DINING UNIT**

(75) **Inventor:** **Daniel G. Muenzberg**, Philadelphia, PA (US)

(73) **Assignee:** **Aramark Corporation**, Philadelphia, PA (US)

(**) **Term:** **14 Years**

(21) **Appl. No.:** **29/160,898**

(22) **Filed:** **May 17, 2002**

(51) **LOC (7) Cl.** **06-06**

(52) **U.S. Cl.** **D6/495**

(58) **Field of Search** D6/332, 396, 397, D6/492, 495, 509, 511, 491; D25/16, 58; 52/633, 636, 645, 646

5,163,536 A	11/1992	Tuhro et al.	186/44
5,281,016 A	1/1994	Brague	312/140.2
5,405,192 A	4/1995	McGrath	312/108
5,573,082 A	11/1996	Conlan et al.	186/44
5,647,648 A	7/1997	Duesler	312/108
5,816,405 A	10/1998	Carriger, Jr.	206/542
5,823,367 A	10/1998	Moran, Jr.	211/126.1
D405,629 S *	2/1999	Horton	D6/474
D406,903 S *	3/1999	Horton	D25/16
5,944,143 A	8/1999	Papas et al.	186/44
6,073,547 A	6/2000	Westbrooks, Jr. et al.	99/468
6,123,011 A	9/2000	Cretors	99/323.99
6,170,926 B1	1/2001	Roberts et al.	312/194
D454,961 S *	3/2002	Marshall et al.	D25/58
D463,571 S *	9/2002	Cohn	D25/16
D463,572 S *	9/2002	Knoettgen	D25/16
D470,599 S *	2/2003	Marshall et al.	D25/58
2001/0047660 A1	12/2001	Mashburn et al.	62/256
2002/0020304 A1	2/2002	Reynolds	99/339

* cited by examiner

Primary Examiner—Cathron C. Brooks

(74) *Attorney, Agent, or Firm*—Woodcock Washburn LLP

(56) **References Cited**

U.S. PATENT DOCUMENTS

1,513,357 A	10/1924	Webber	
2,612,421 A	9/1952	Bargen	311/1
2,900,045 A	8/1959	Conklin et al.	186/1
3,512,857 A	5/1970	Butera	312/107
3,596,297 A	8/1971	James	5/2
3,748,437 A	7/1973	Keeshin et al.	219/214
3,957,326 A	5/1976	Molitor	312/236
4,019,339 A	4/1977	Anderson	62/255
4,076,349 A	2/1978	Gettleman et al.	312/236
4,080,022 A	3/1978	Canfield et al.	312/239
4,236,359 A	12/1980	Woolford	52/66
4,417,774 A	11/1983	Bevan et al.	312/108
4,802,340 A	2/1989	Johnson	62/229
4,974,500 A	12/1990	Boyd et al.	99/279
5,048,857 A *	9/1991	Stevens	280/651
5,082,334 A	1/1992	Beyer et al.	312/140.4
D324,737 S *	3/1992	Stafford	D25/58

(57) **CLAIM**

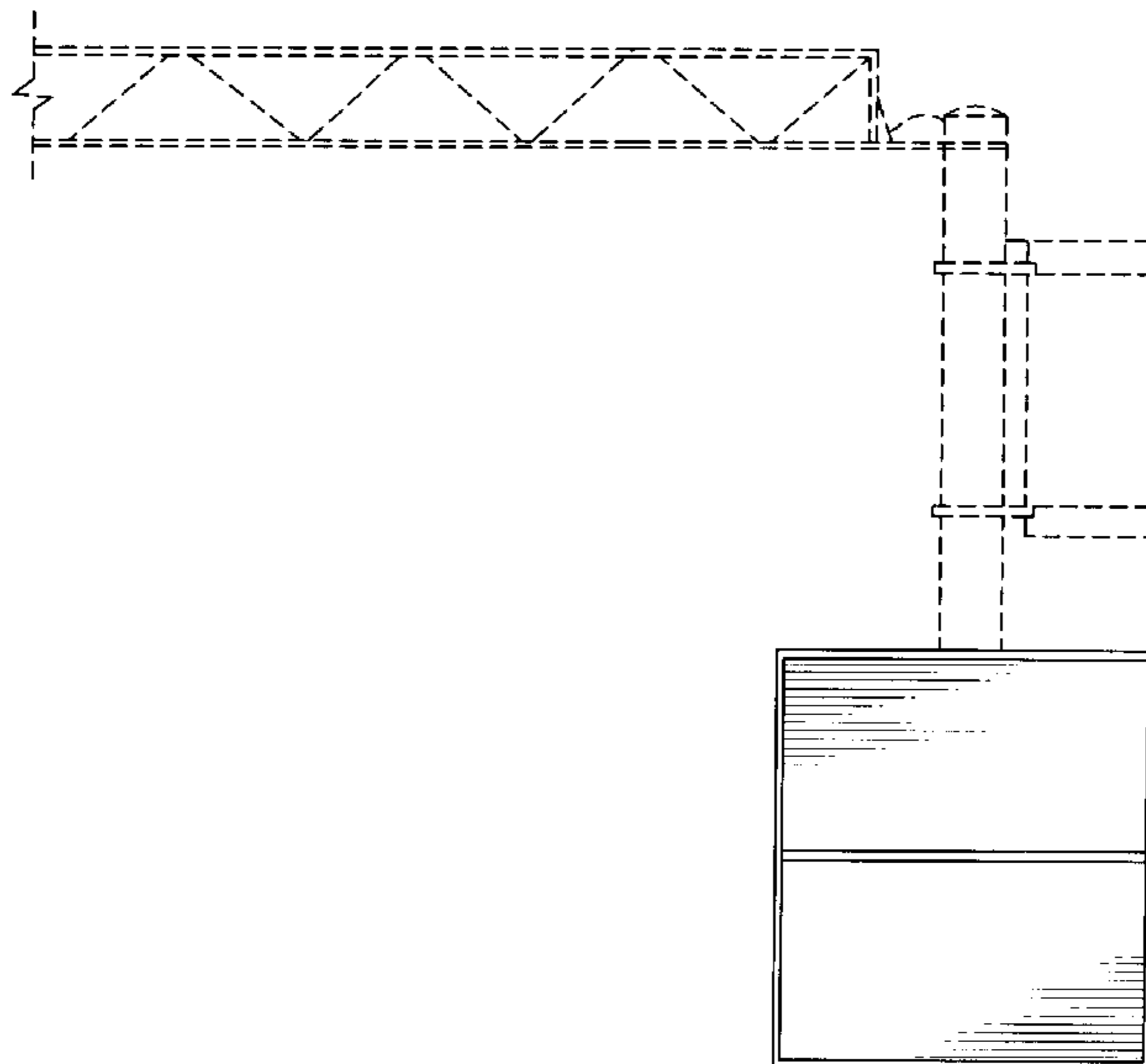
The ornamental design for a module for a temporary dining unit, as shown and described.

DESCRIPTION

FIG. 1 is a front view of a module for a temporary dining unit according to a preferred embodiment of the design; FIG. 2 is a top view of the design that is depicted in FIG. 1; FIG. 3 is a rear view of the design that is depicted in FIGS. 1 and 2; and, FIG. 4 is a side view of the design that is depicted in FIGS. 1-3.

The broken lines are shown in the views for illustrative purposes only and form no part of the claimed design.

1 Claim, 4 Drawing Sheets



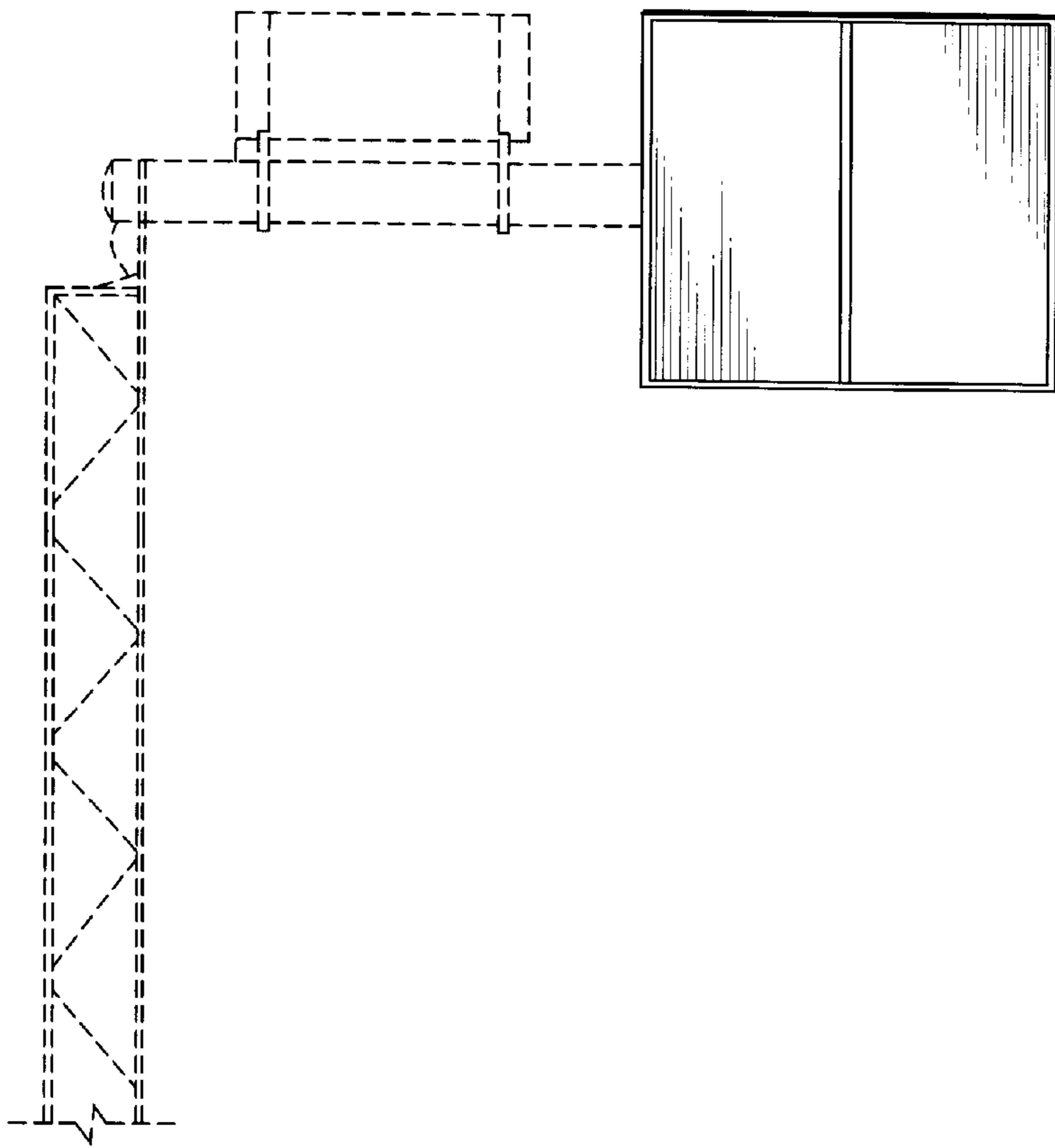


FIG. 1

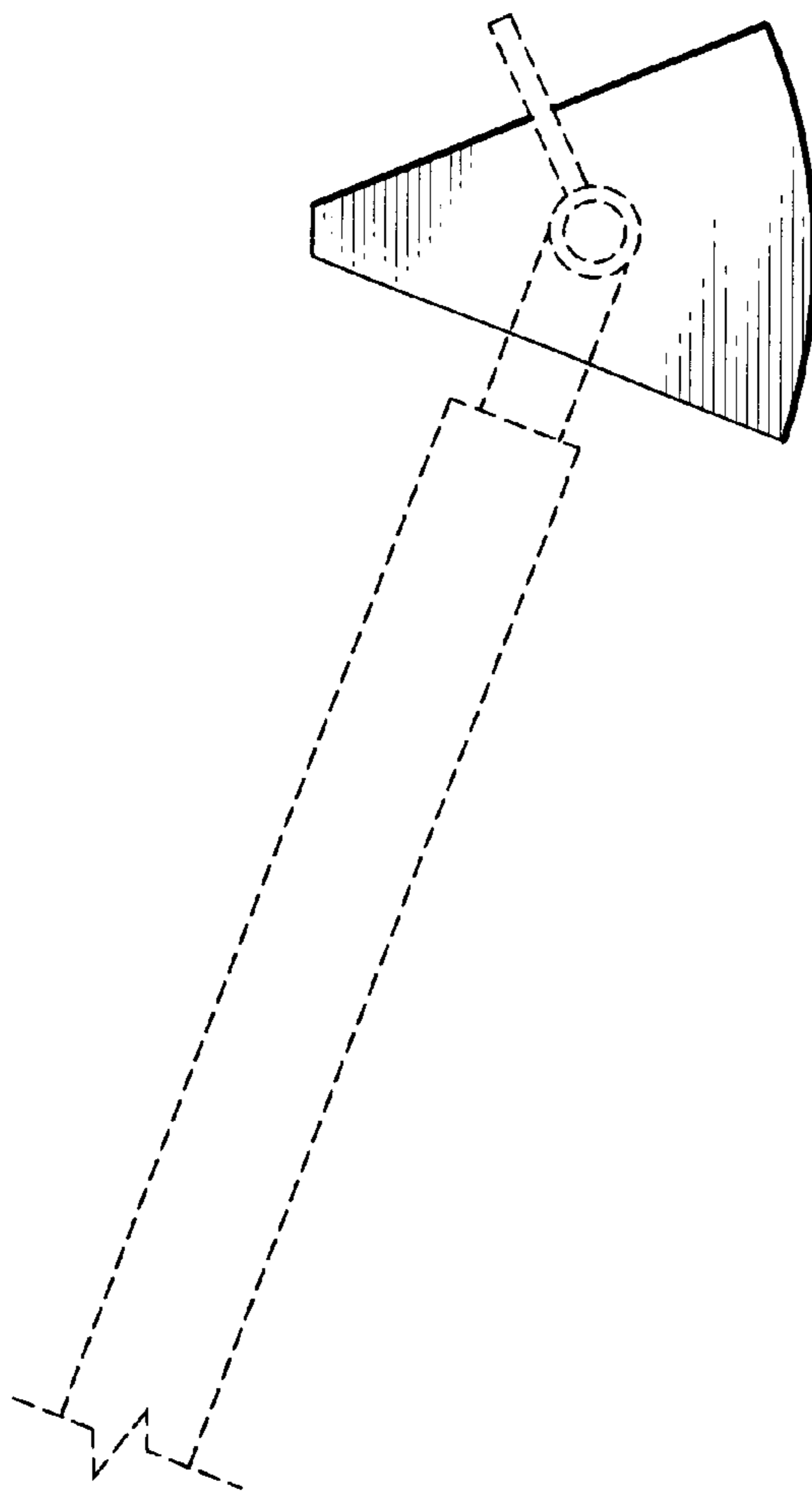


FIG. 2

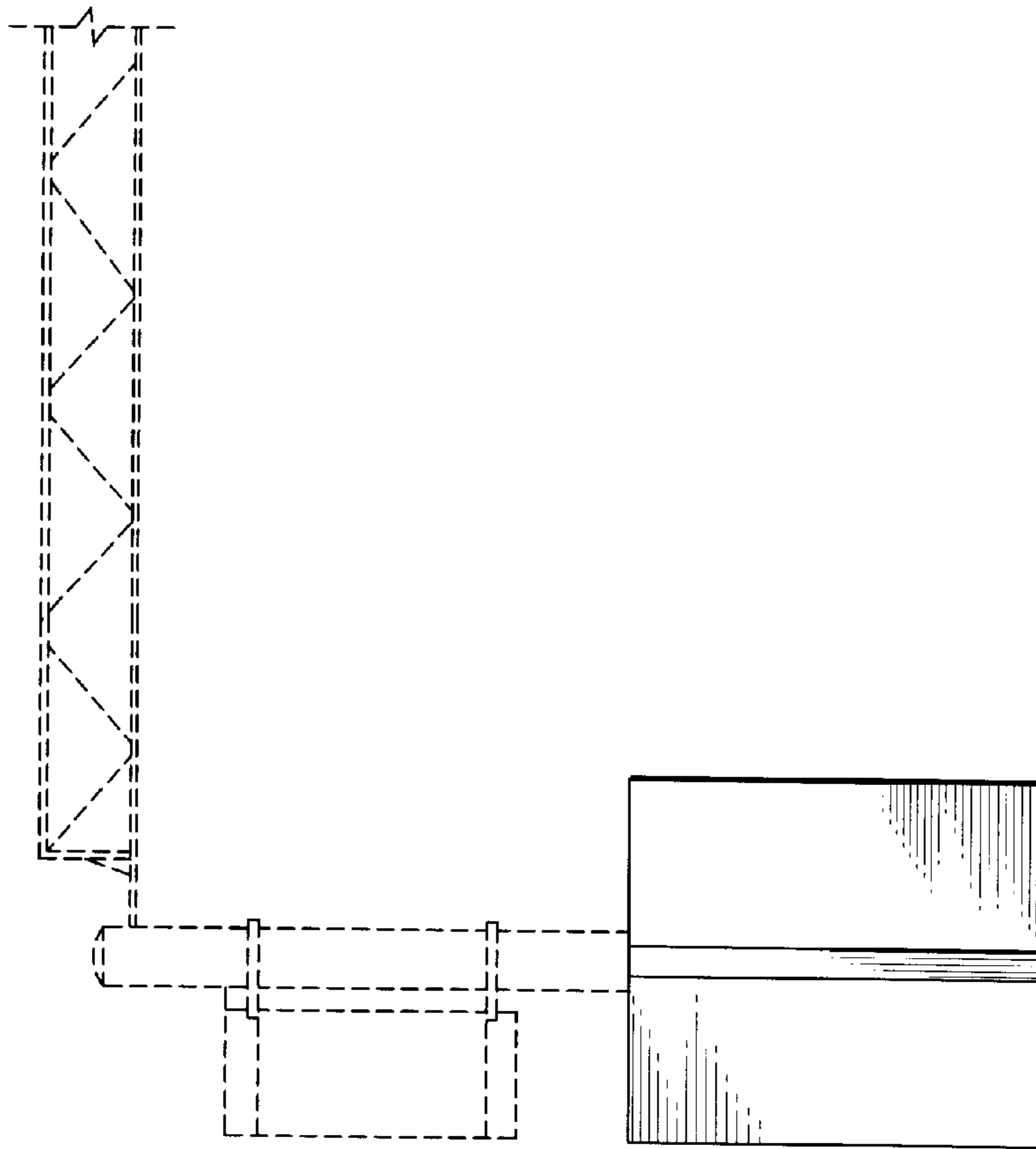


FIG. 3

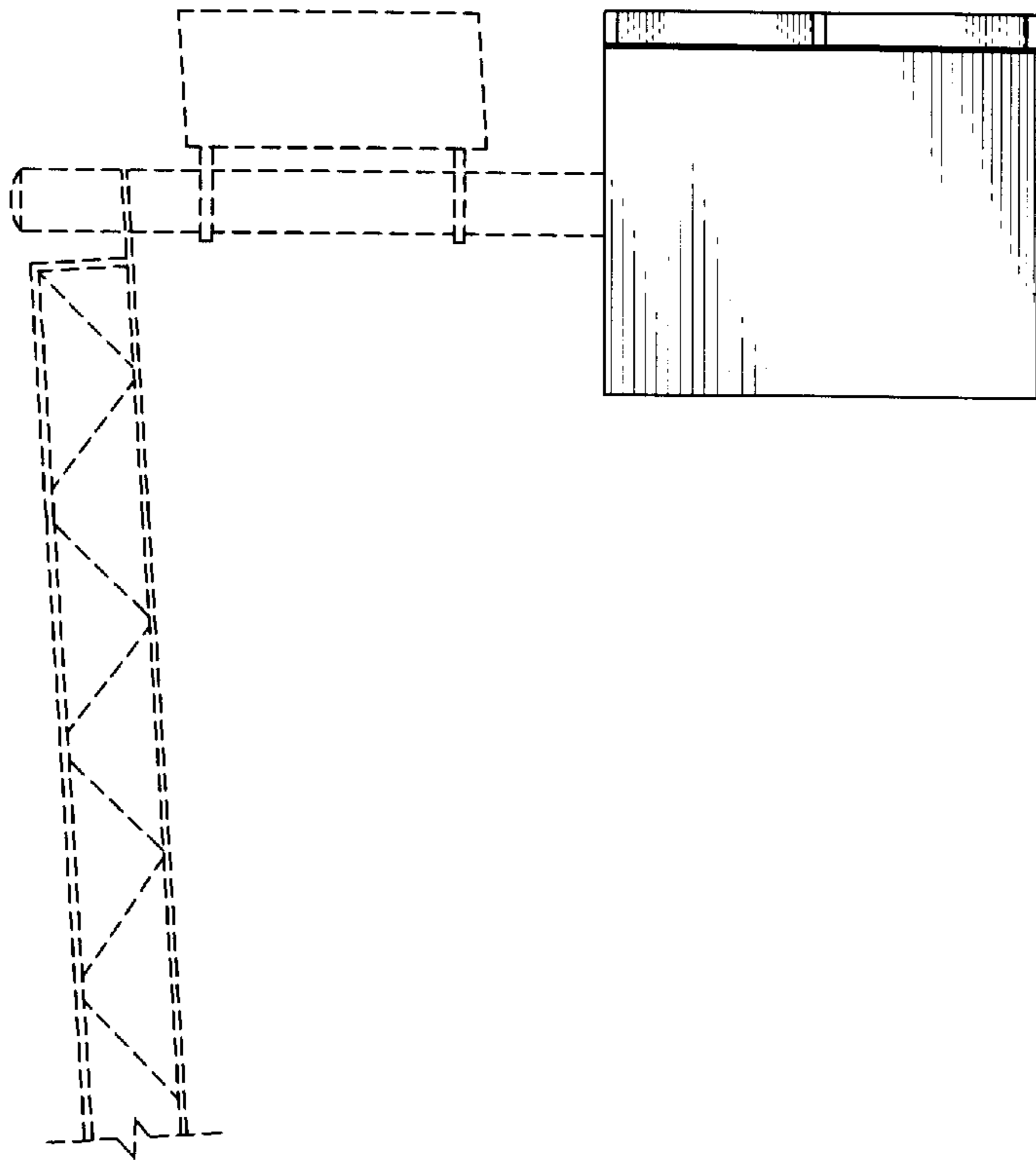


FIG. 4