



US00D488647S

(12) **United States Design Patent**
Ford et al.

(10) **Patent No.:** **US D488,647 S**

(45) **Date of Patent:** **** Apr. 20, 2004**

(54) **BOWLING TABLE**

(75) Inventors: **Gary J. Ford**, Chesterfield, VA (US);
William Bredlow, Baltimore, MD
(US); **Brian Williamson**, Richmond,
VA (US)

(73) Assignee: **AMF Bowling Worldwide, Inc.**,
Mechanicsville, VA (US)

(**) Term: **14 Years**

(21) Appl. No.: **29/162,604**

(22) Filed: **Jun. 17, 2002**

(51) **LOC (7) Cl.** **06-03**

(52) **U.S. Cl.** **D6/489**

(58) **Field of Search** D6/552, 396, 397,
D6/449, 455, 458, 489; D21/785; 108/28,
59, 91, 150; 206/315.91; 211/13.1, 85.7,
14, 182; 248/309.1

(56) **References Cited**

U.S. PATENT DOCUMENTS

D314,111 S	*	1/1991	Ohno	D6/552
D339,487 S		9/1993	Rizzi		
D365,237 S	*	12/1995	Stirling et al.	D6/552
D367,772 S		3/1996	Stirling et al.		
D377,124 S		1/1997	Stirling et al.		

D379,874 S 6/1997 Stirling et al.

D412,415 S 8/1999 Adler et al.

D427,802 S 7/2000 Adler et al.

D456,645 S 5/2002 Iverson

* cited by examiner

Primary Examiner—Brian N. Vinson

(74) *Attorney, Agent, or Firm*—McGuire Woods LLP

(57) **CLAIM**

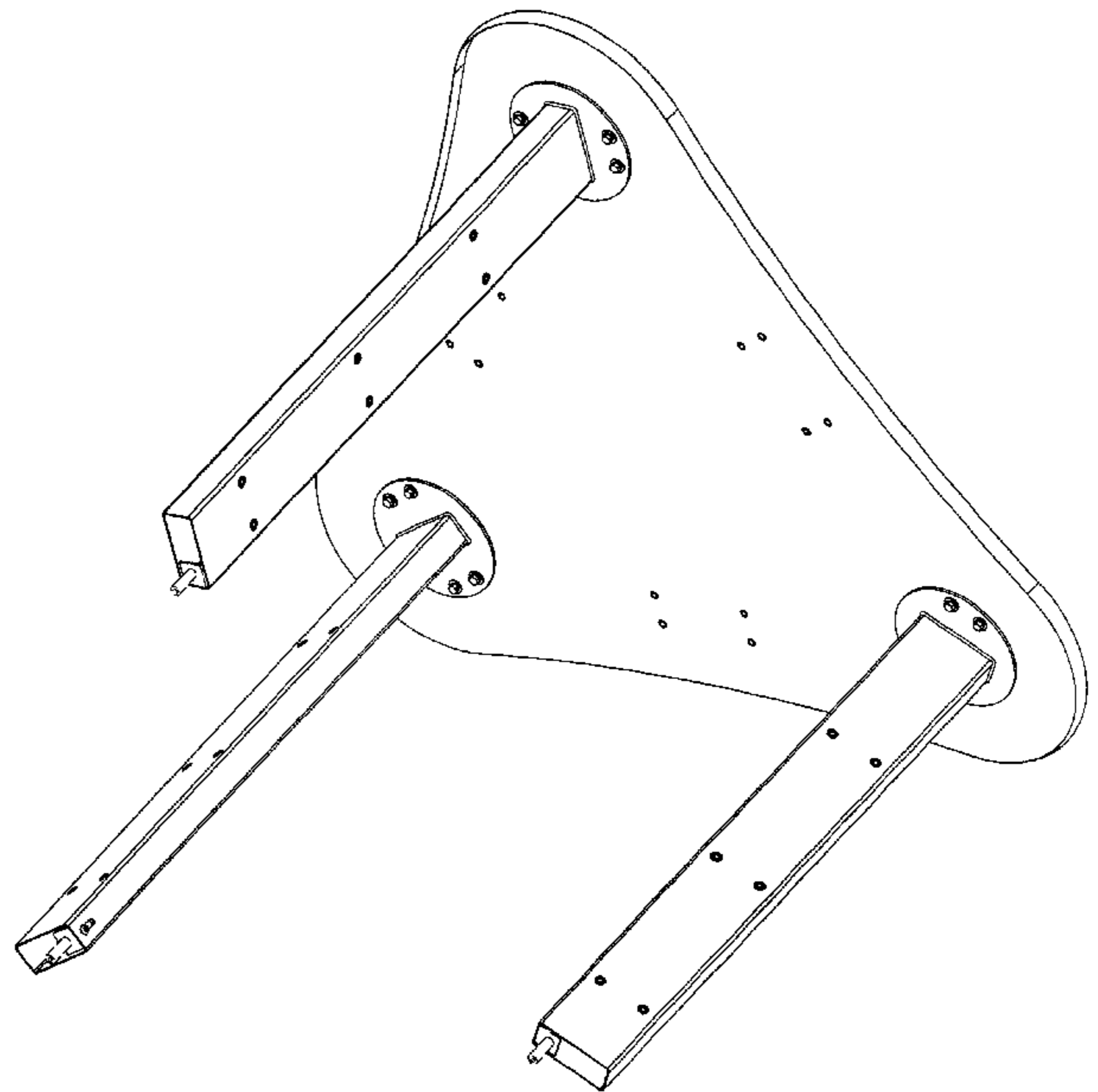
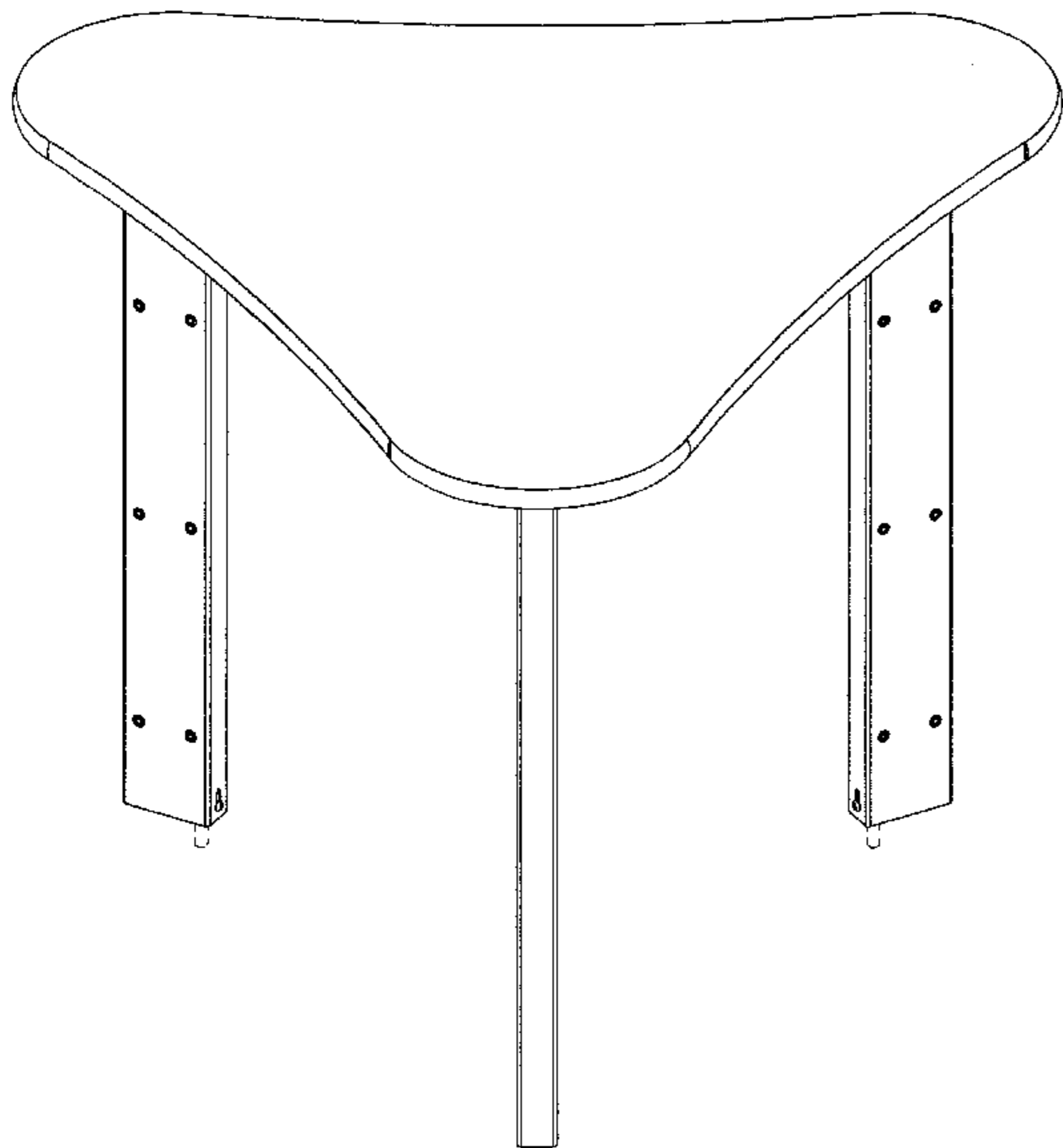
We claim the ornamental design for a bowling table, as shown and described.

DESCRIPTION

FIG. 1 is a front perspective view of the bowling table, in accordance with an embodiment of the present invention; FIG. 2 is a right side perspective view thereof; FIG. 3 is a left side perspective view thereof; FIG. 4 is a top plan view thereof; FIG. 5 is a front elevation view thereof; FIG. 6 is a rear elevation view thereof; FIG. 7 is a left side elevation view thereof; FIG. 8 is a right side elevation view thereof; FIG. 9 is a bottom plan view thereof; and, FIG. 10 is a bottom perspective view thereof.

The bottom of each leg of the bowling table is for illustrative purposes only and forms no part of the claimed design.

1 Claim, 10 Drawing Sheets



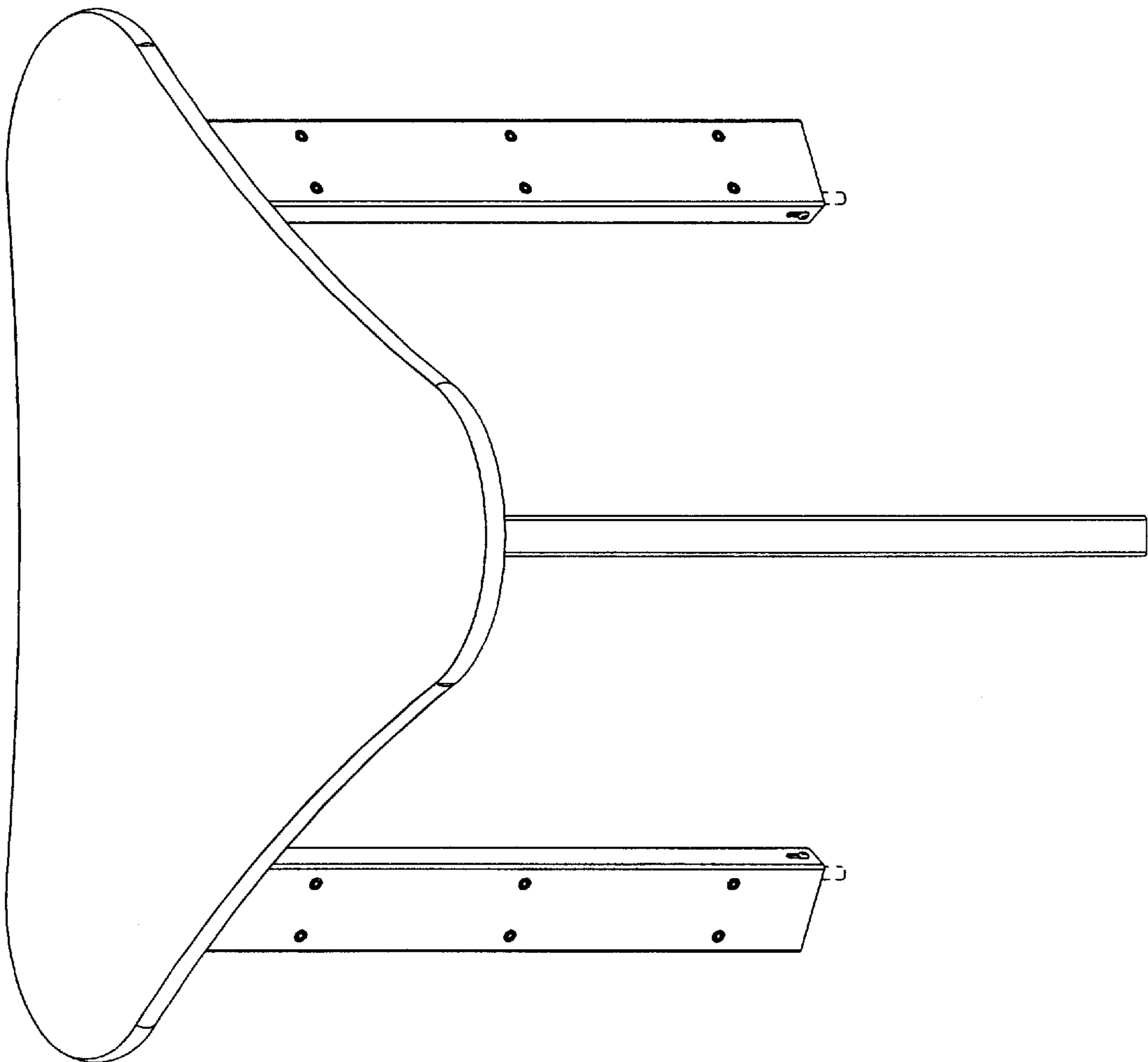


FIG. 1

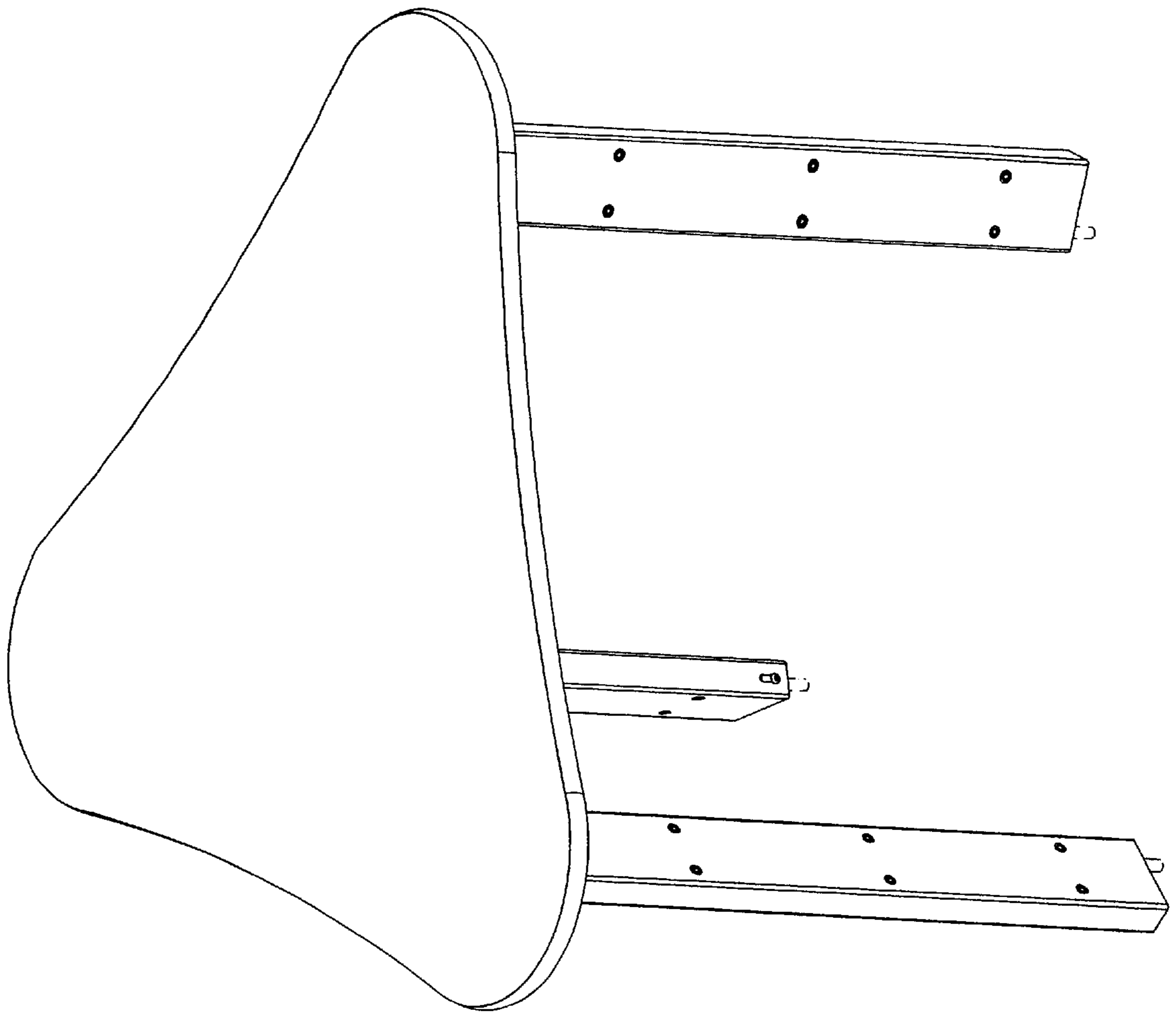


FIG. 2

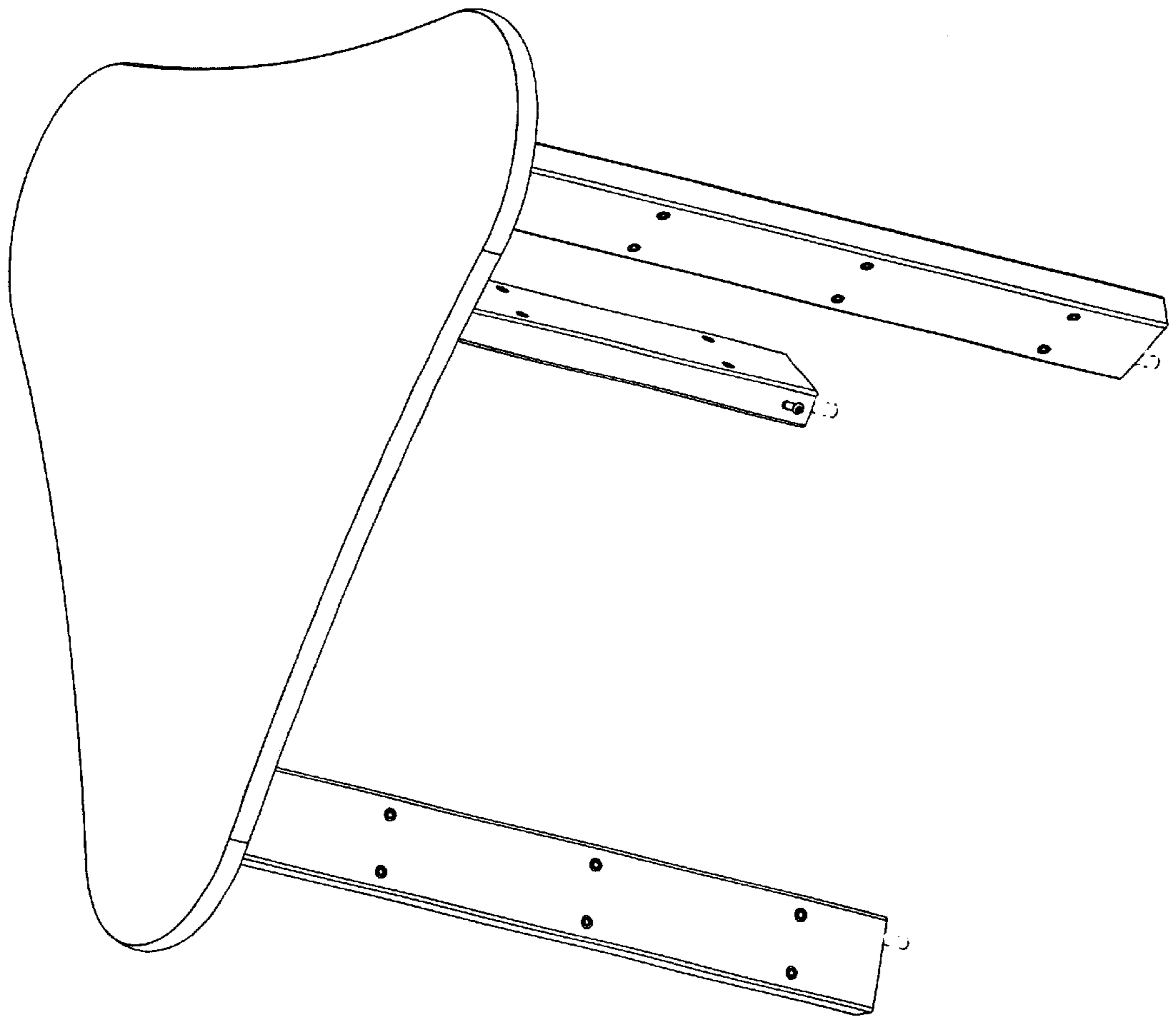


FIG. 3

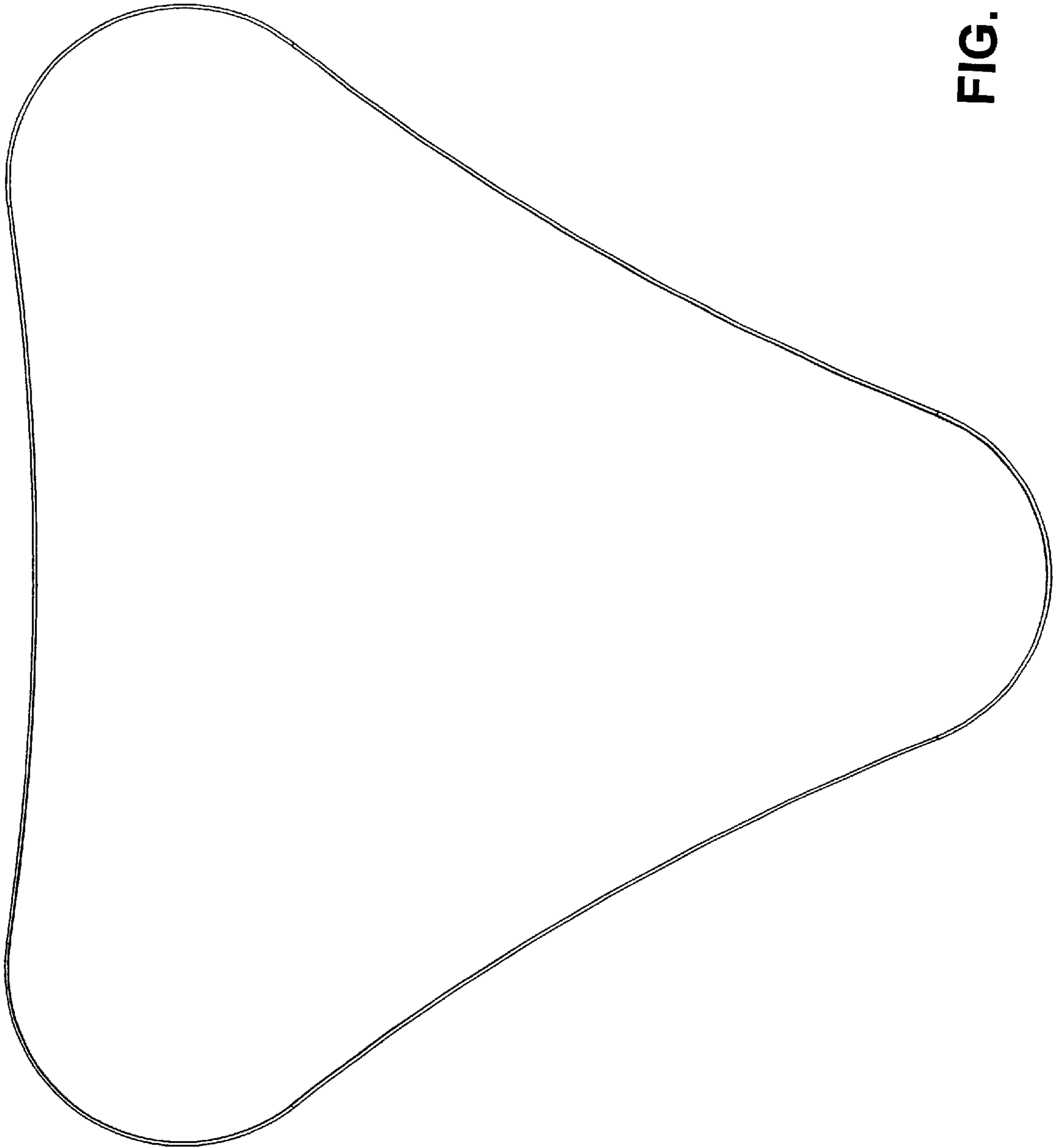


FIG. 4

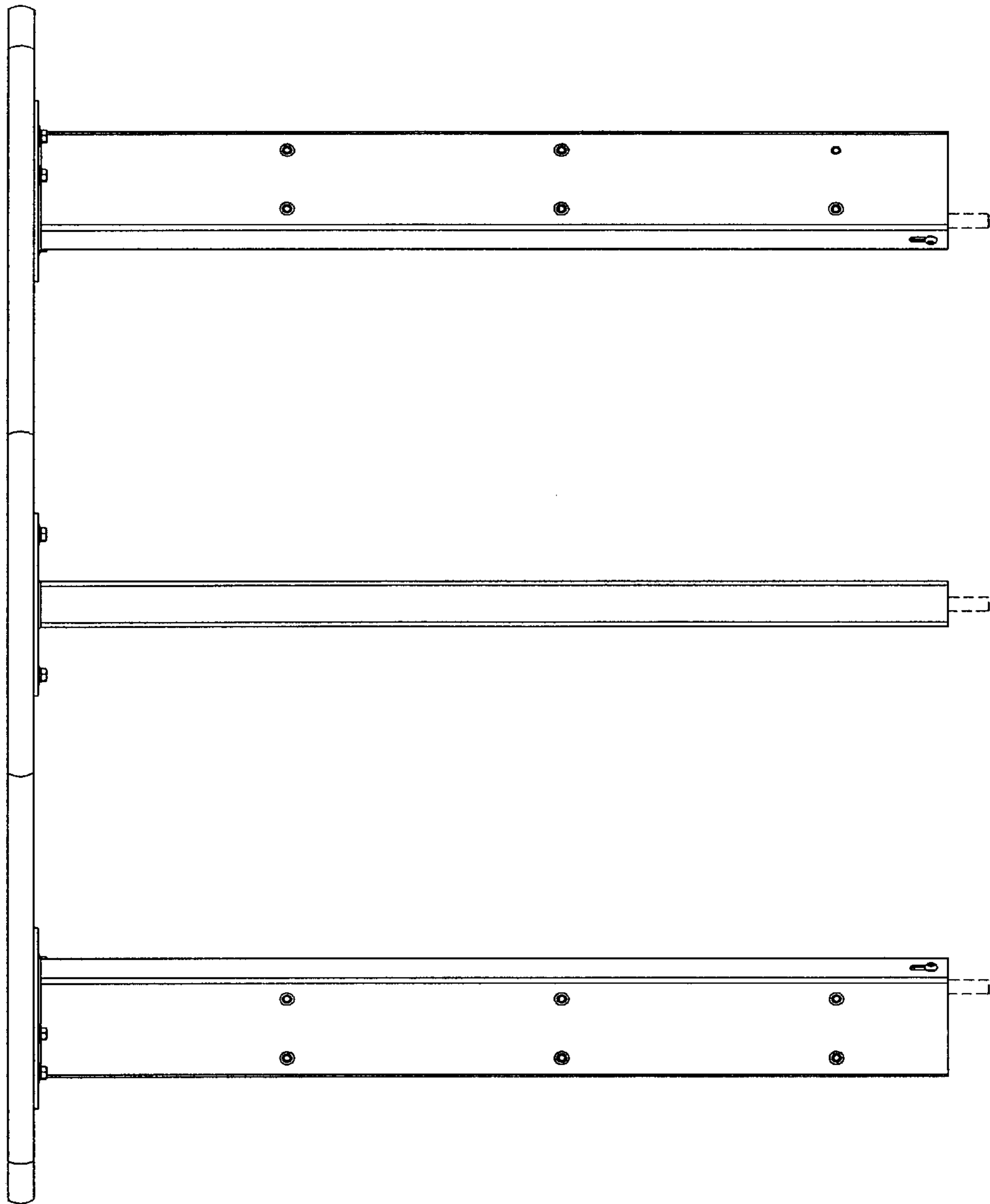
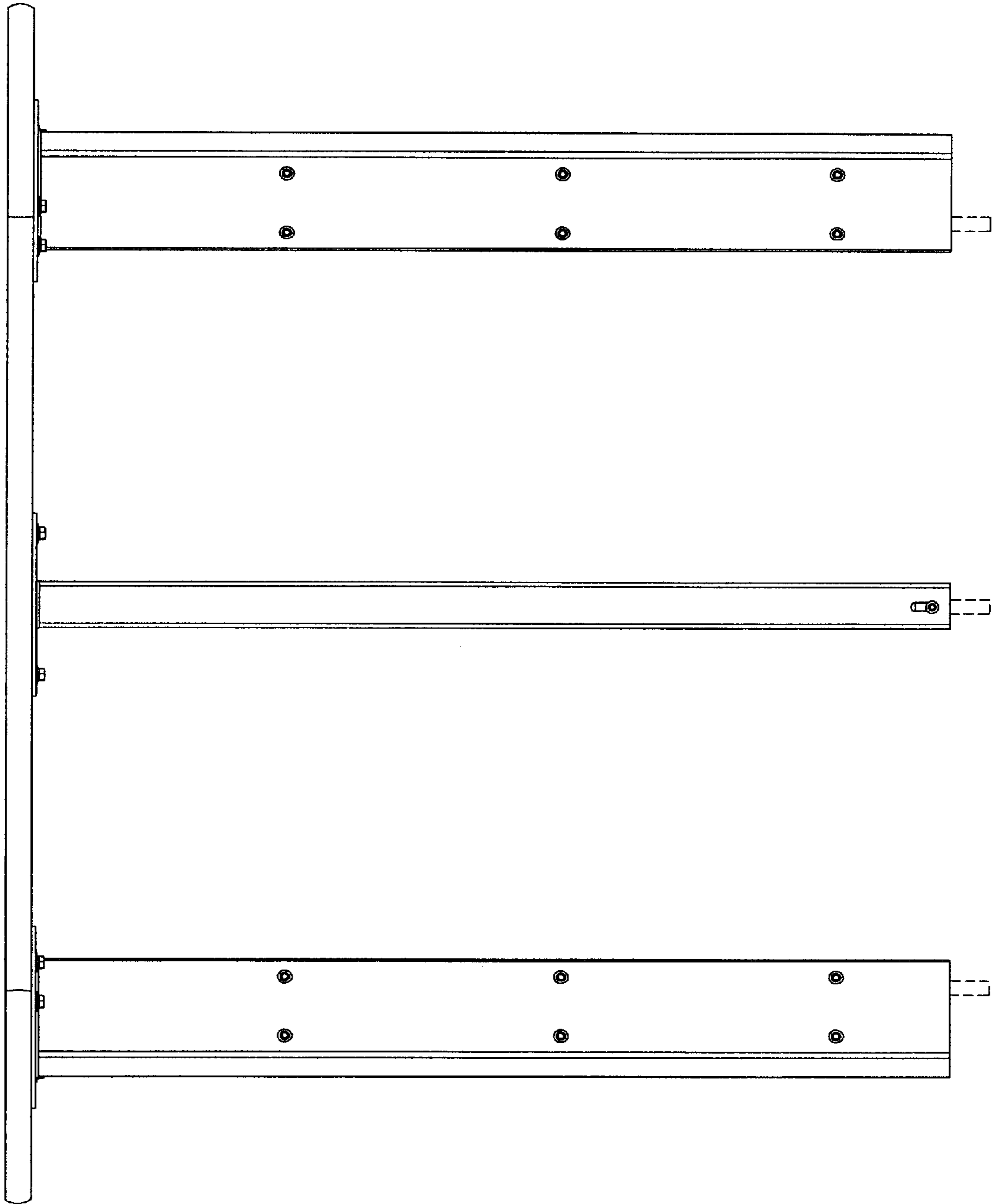


FIG. 5

FIG. 6



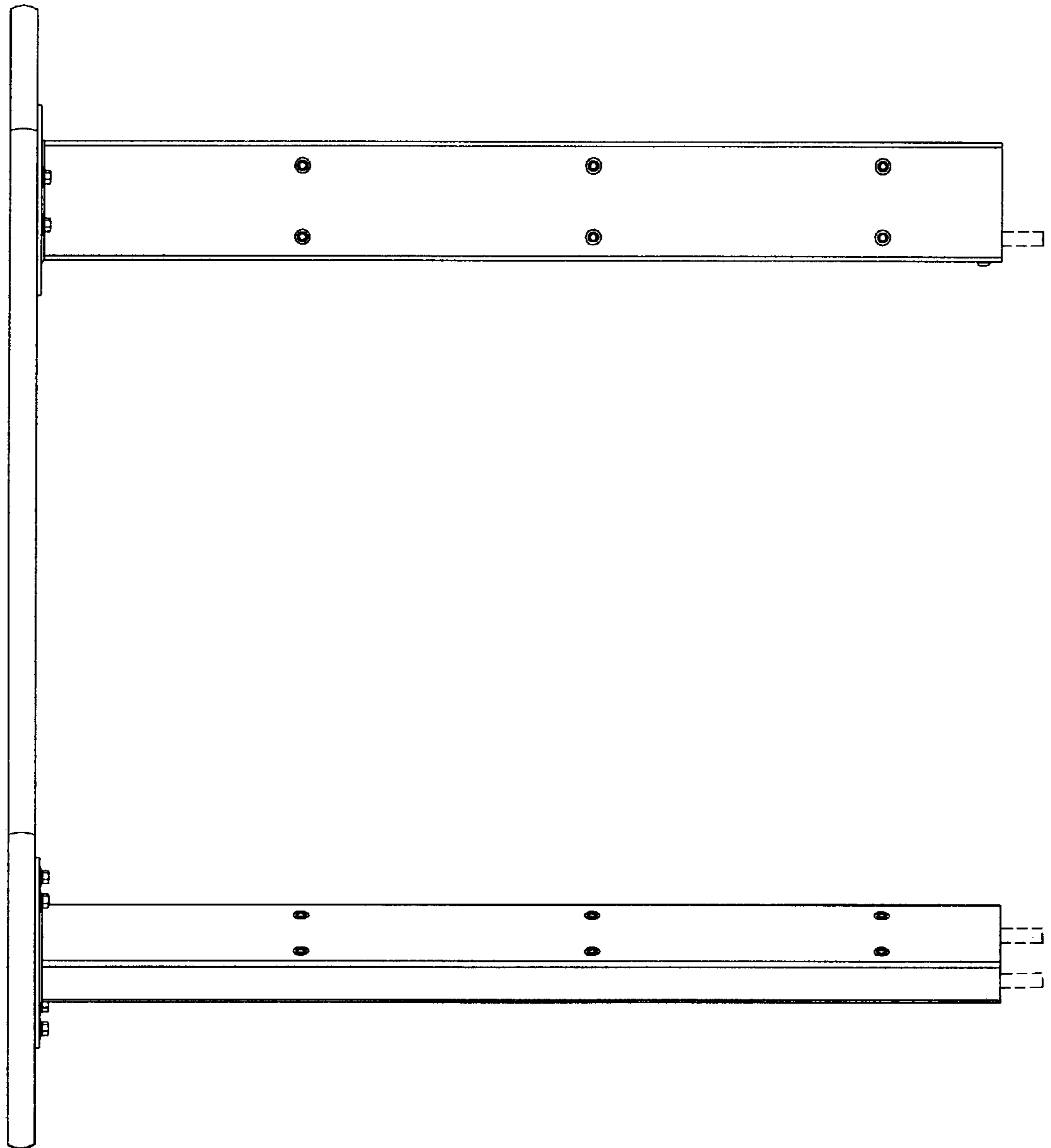
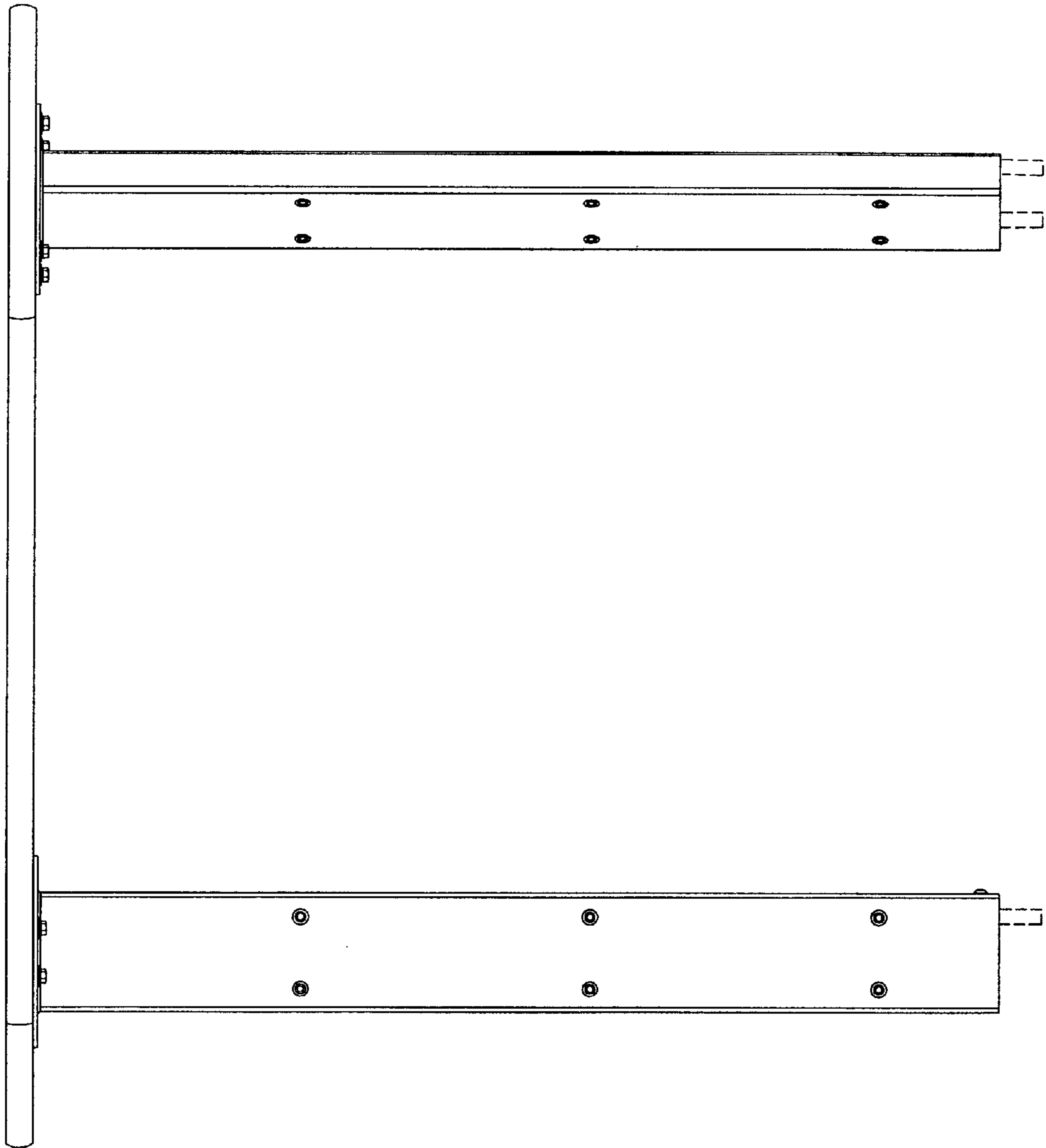


FIG. 7

FIG. 8



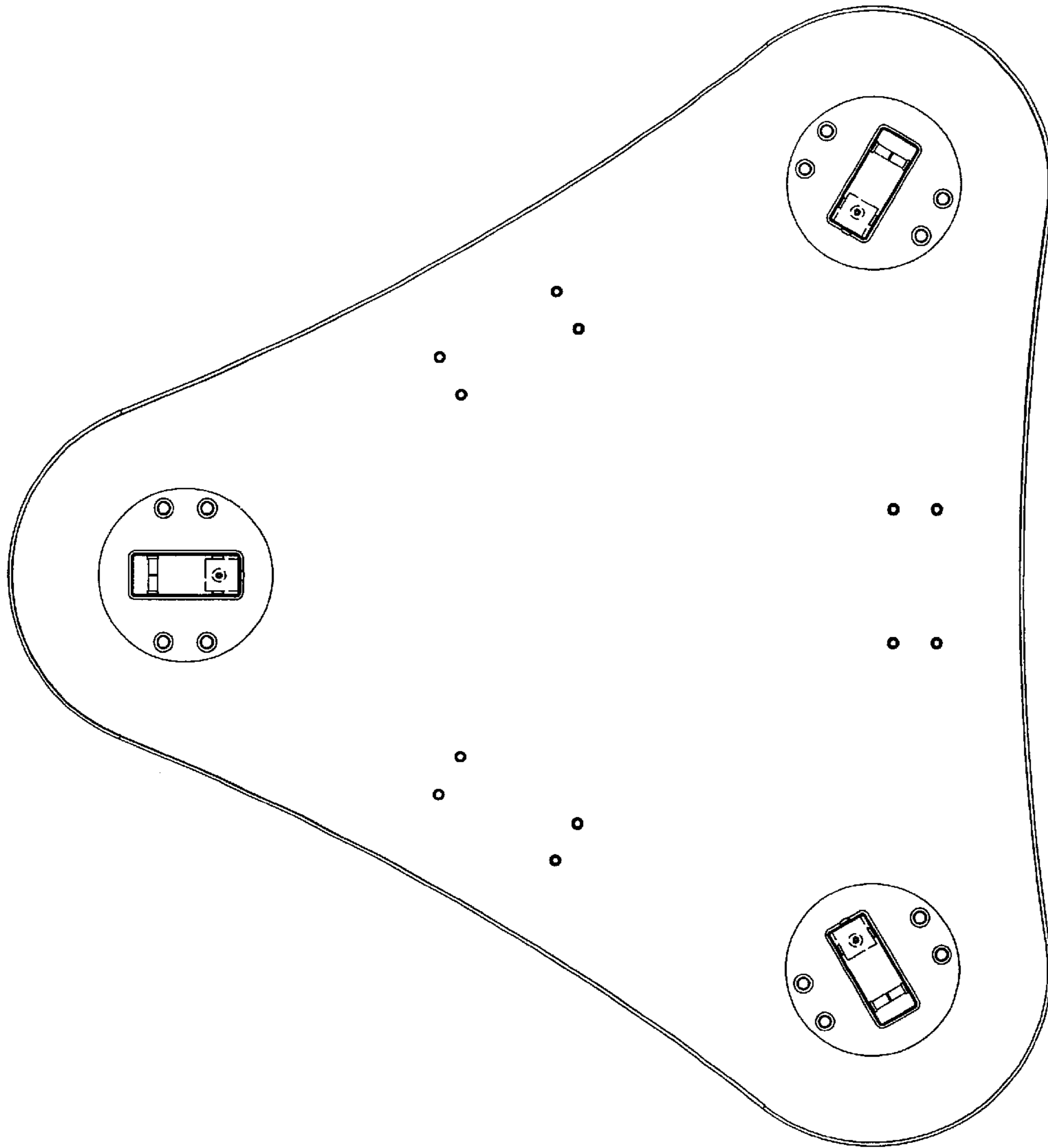


FIG. 9

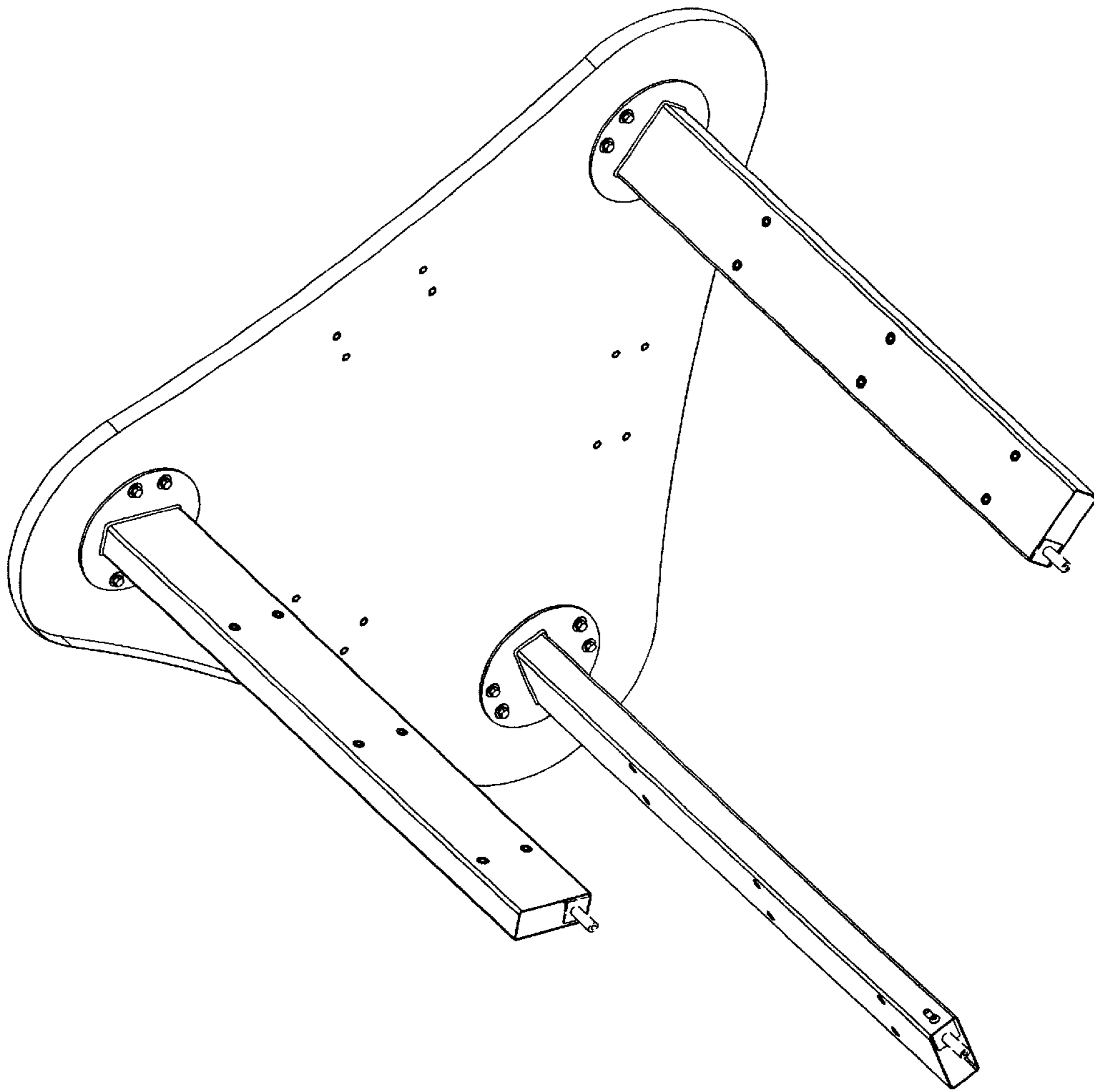


FIG. 10