



US00D488644S

(12) **United States Design Patent**
Park

(10) **Patent No.:** **US D488,644 S**

(45) **Date of Patent:** **** Apr. 20, 2004**

(54) **DISPLAY STAND FOR HAIR BRUSHES**

FOREIGN PATENT DOCUMENTS

(76) Inventor: **Ran Kyu Park**, 5-103, Hyochang-dong yongsan-ku, Seoul (KR)

JP 30-2000-0284737 12/2001

* cited by examiner

(**) Term: **14 Years**

Primary Examiner—Cathron C. Brooks

(74) *Attorney, Agent, or Firm*—Flynn, Thiel, Boutell & Tanis, P.C.

(21) Appl. No.: **29/174,896**

(22) Filed: **Jan. 27, 2003**

(57) **CLAIM**

(51) **LOC (7) Cl.** **06-04**

(52) **U.S. Cl.** **D6/469**

(58) **Field of Search** D6/409-411, 457, D6/466-469; 108/103, 105, 139; 211/13.1, 65, 69, 74, 85.18; 248/146

The ornamental design for a display stand for hair brushes, as shown and described.

DESCRIPTION

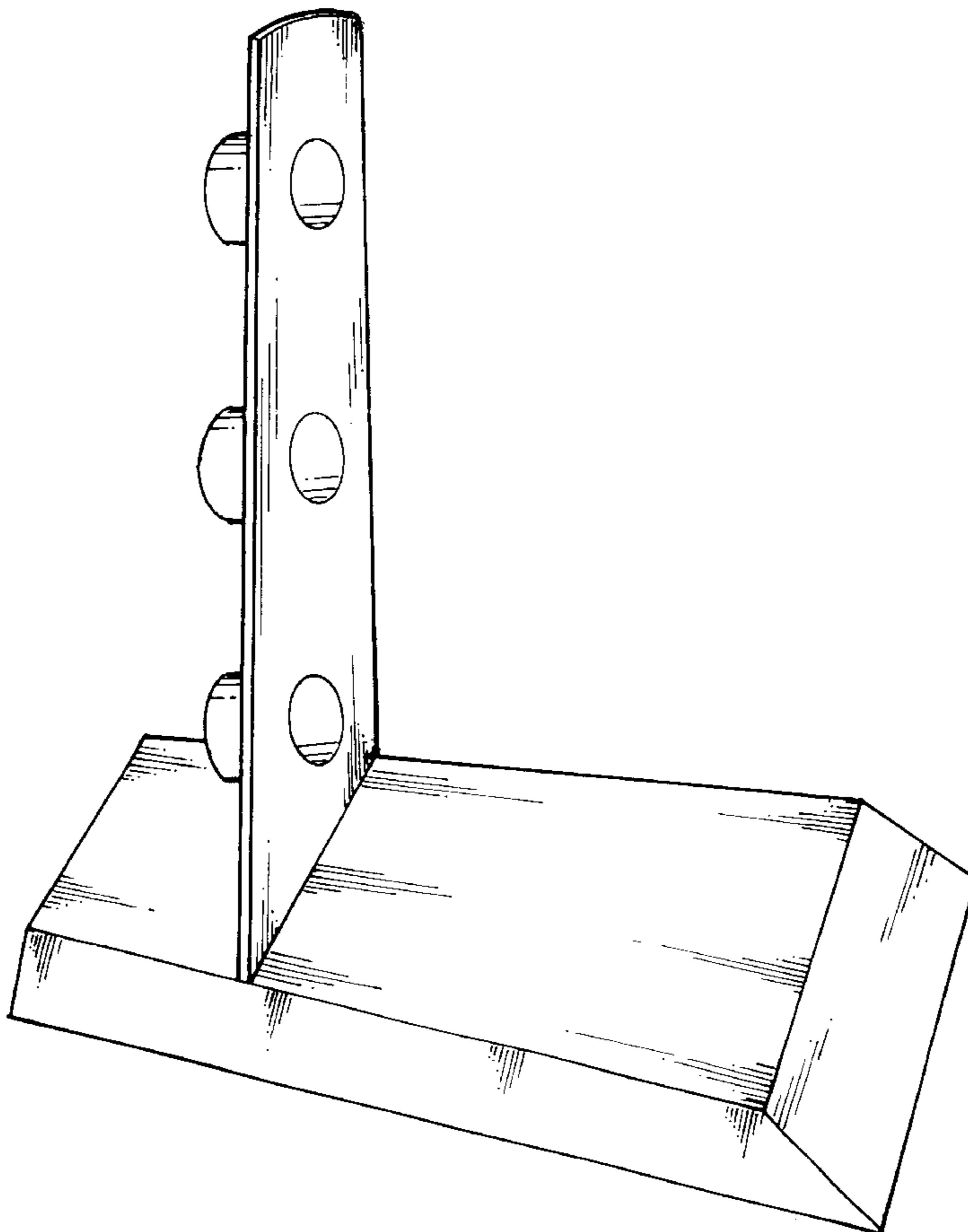
(56) **References Cited**

U.S. PATENT DOCUMENTS

D250,625 S	*	12/1978	Leventhal	D7/701
4,496,124 A	*	1/1985	Cole	248/146
D295,704 S	*	5/1988	Despres	D6/469
D311,425 S		10/1990	Lindsay		
D324,454 S		3/1992	Herron		
5,180,066 A	*	1/1993	McArdle	211/74
D353,671 S	*	12/1994	Goldman	D6/467 X
D414,001 S		9/1999	Crotte et al.		
D422,458 S	*	4/2000	Tate	D7/619

FIG. 1. is a top front perspective view of a display stand for hair brushes showing my new design;
 FIG. 2. is a front elevational view thereof;
 FIG. 3. is a rear elevational view thereof;
 FIG. 4. is a left side elevational view thereof; (a right side elevational view is symmetrical to the left side elevational view)
 FIG. 5. is a top plan view thereof;
 FIG. 6. is a bottom plan view thereof; and,
 FIG. 7. is an additional top, front and left side perspective view thereof; with the broken-line disclosure of hair brushes for illustrative purposes only and forms no part of the claimed design.

1 Claim, 7 Drawing Sheets



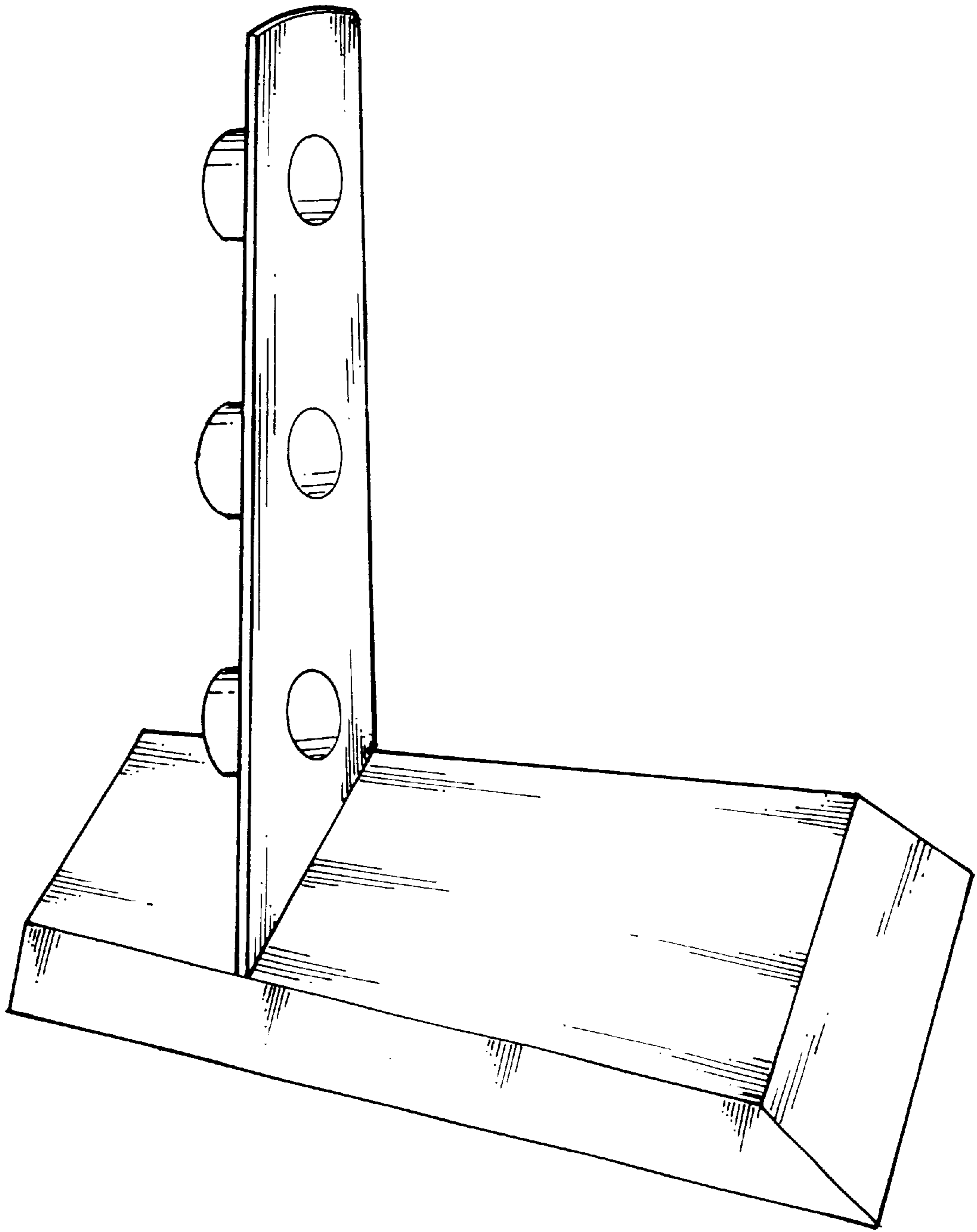


FIG. 1

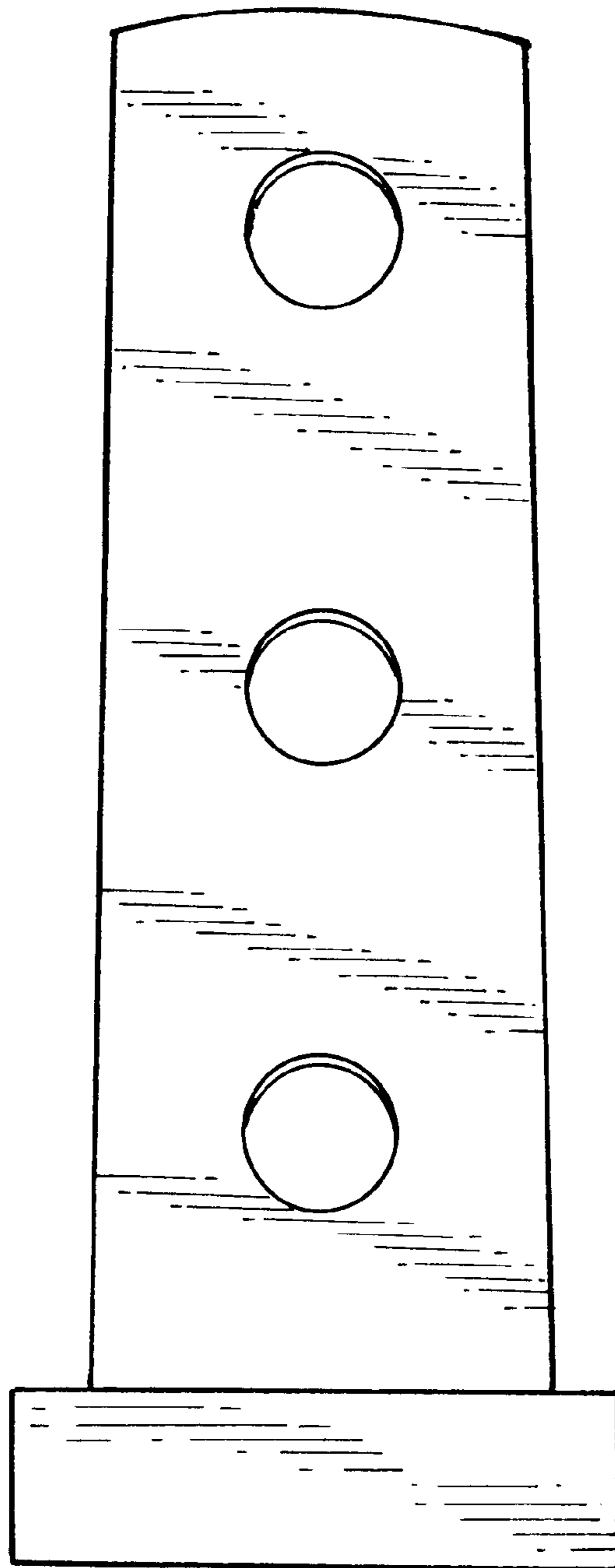


FIG. 2

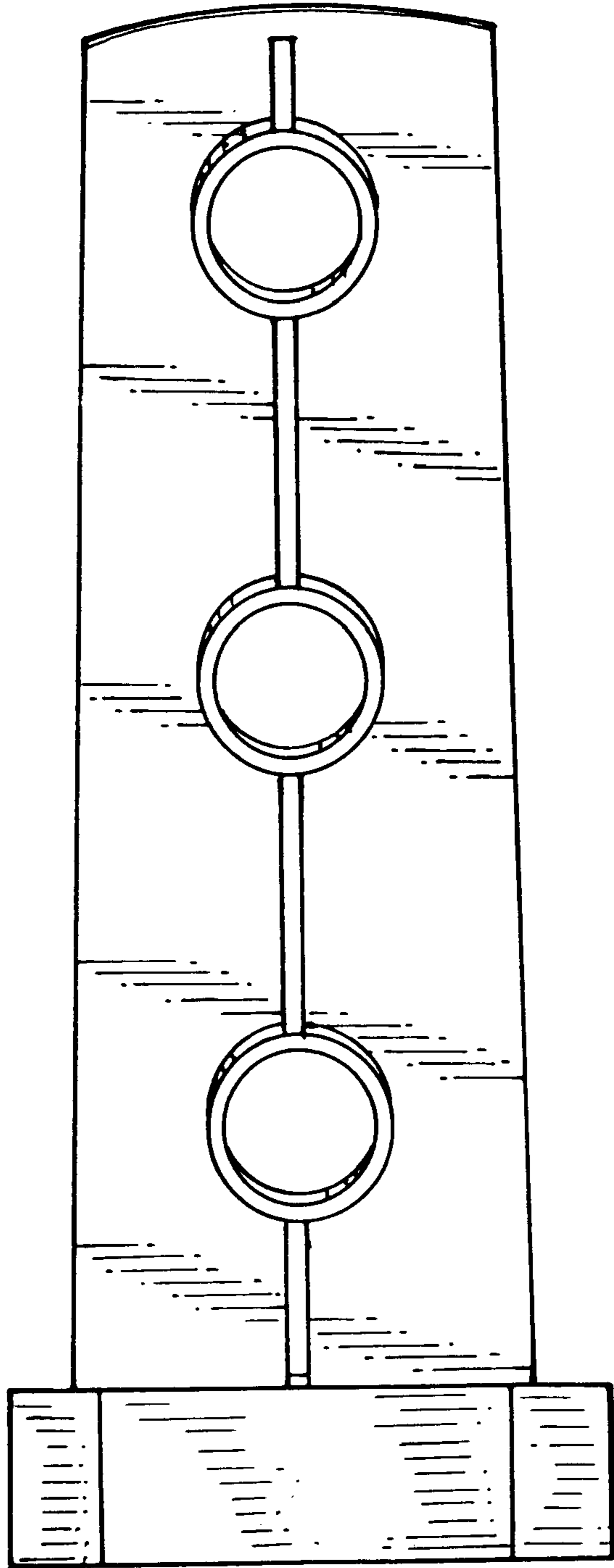


FIG. 3

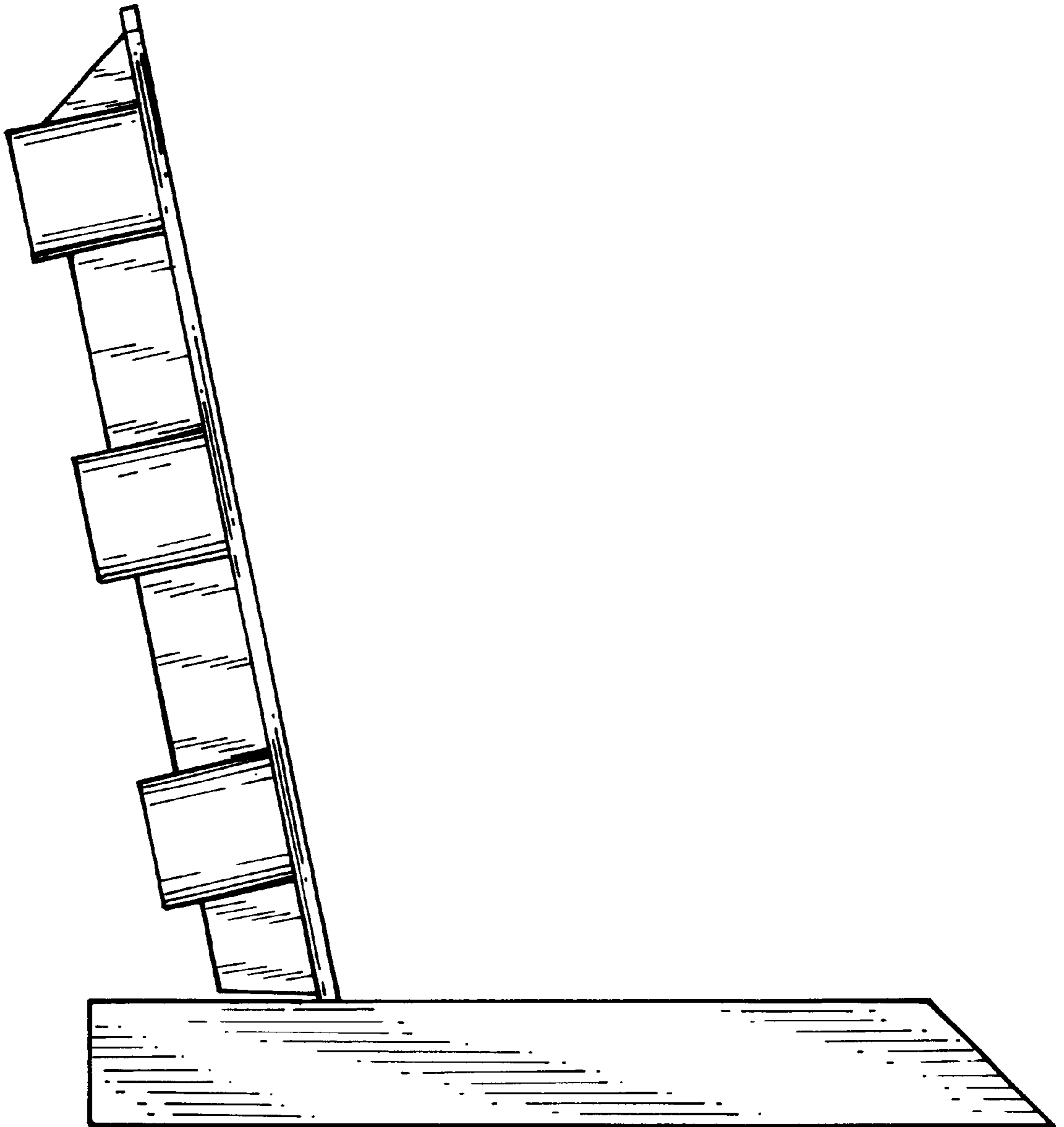


FIG. 4



FIG. 5

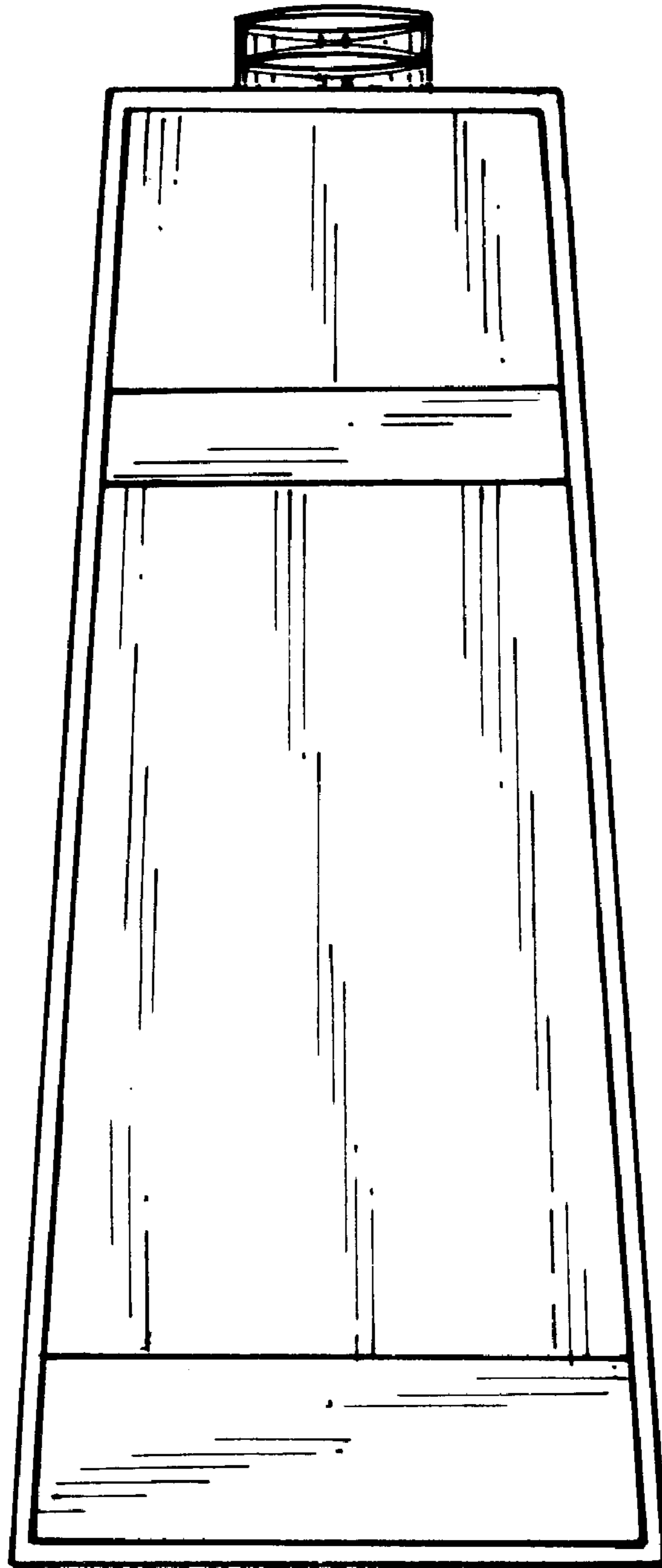


FIG. 6

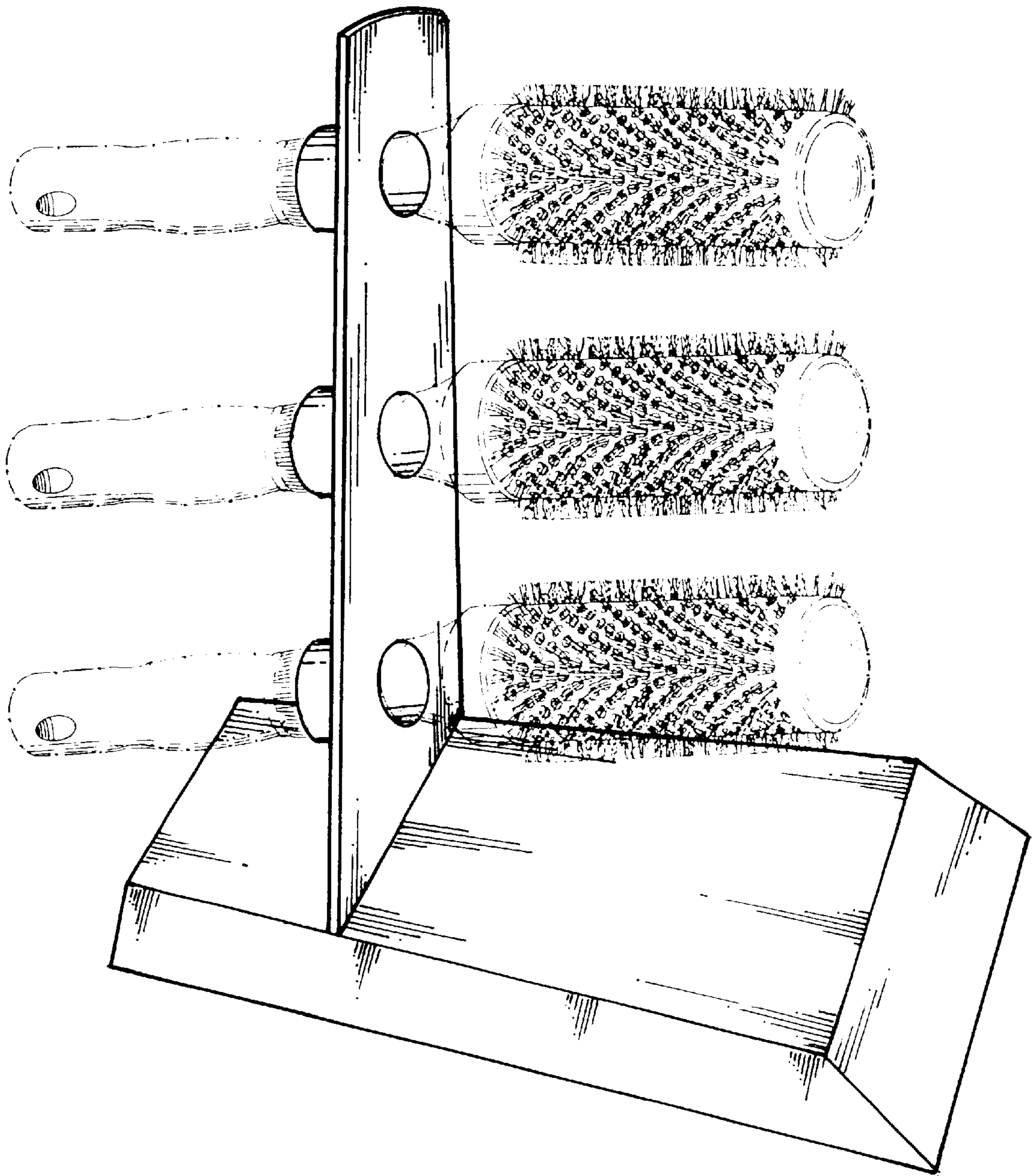


FIG. 7