



US00D488643S

(12) **United States Design Patent**
Birmingham

(10) **Patent No.:** **US D488,643 S**

(45) **Date of Patent:** **** Apr. 20, 2004**

(54) **PORTABLE STORAGE UNIT**

(75) **Inventor:** **Gerald Birmingham**, Skiatook, OK (US)

(73) **Assignee:** **Front and Center Technologies, LLC**, Tahlequah, OK (US)

(**) **Term:** **14 Years**

(21) **Appl. No.:** **29/161,305**

(22) **Filed:** **May 28, 2002**

(51) **LOC (7) Cl.** **06-06**

(52) **U.S. Cl.** **D6/469; D6/456; D6/457**

(58) **Field of Search** D6/396, 397, 411, D6/415, 455-469, 449; 108/59, 91-94; 211/11, 13.1, 85.1, 85.2, 85.4, 70, 78, 107, 131.1, 133.2, 163, 164, 181.1, 182

(56) **References Cited**

U.S. PATENT DOCUMENTS

253,290 A	2/1882	Hunter
425,215 A	4/1890	Franklin
570,322 A	10/1896	Mansfield
1,915,958 A	6/1933	Skirrow
2,743,982 A	5/1956	Stingl
2,743,983 A	5/1956	Stingl
2,853,353 A	9/1958	Scholfield

2,856,254 A	10/1958	Paulos et al.
2,911,107 A	11/1959	Francavillo
2,936,901 A	5/1960	Siemantel
2,976,099 A	3/1961	Morrison
3,012,762 A	12/1961	Norris
D225,870 S	1/1973	Morgison
D320,141 S	* 9/1991	Farrell D6/457 X
D323,931 S	* 2/1992	Haynes D6/631
D333,928 S	* 3/1993	Santowski et al. D6/456
6,056,132 A	* 5/2000	Becker et al. 211/164

* cited by examiner

Primary Examiner—Cathron C. Brooks

(74) *Attorney, Agent, or Firm*—Molly D. McKay

(57) **CLAIM**

The ornamental design for a portable storage unit, as shown and described.

DESCRIPTION

FIG. 1 is a perspective view of a portable storage unit constructed in accordance with a preferred embodiment of the present invention.

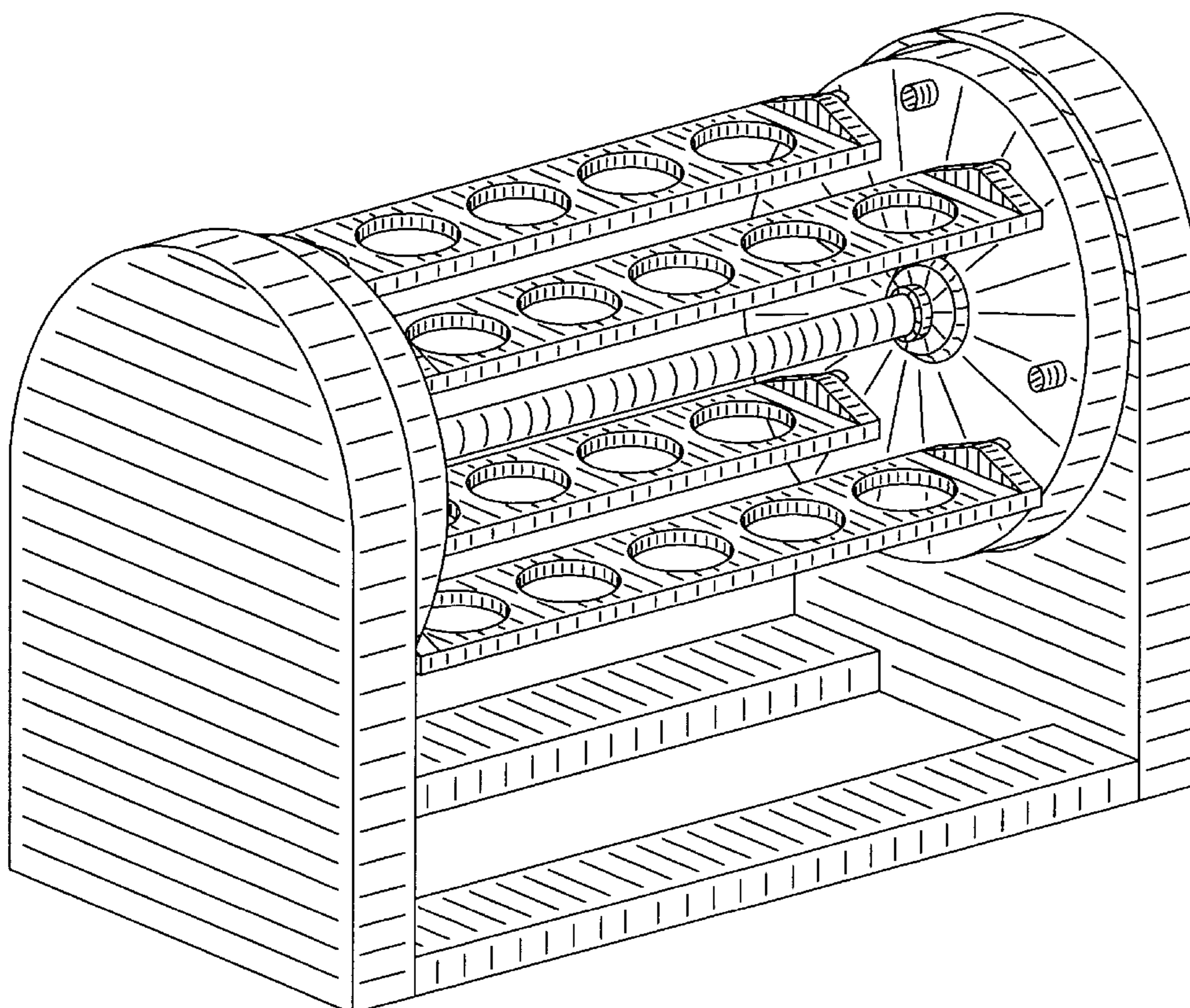
FIG. 2 is top plan view of the unit of FIG. 1.

FIG. 3 is a side view of the unit of FIG. 1.

FIG. 4 is an end view of the unit of FIG. 1; and,

FIG. 5 is bottom plan view of the unit of FIG. 1.

1 Claim, 2 Drawing Sheets



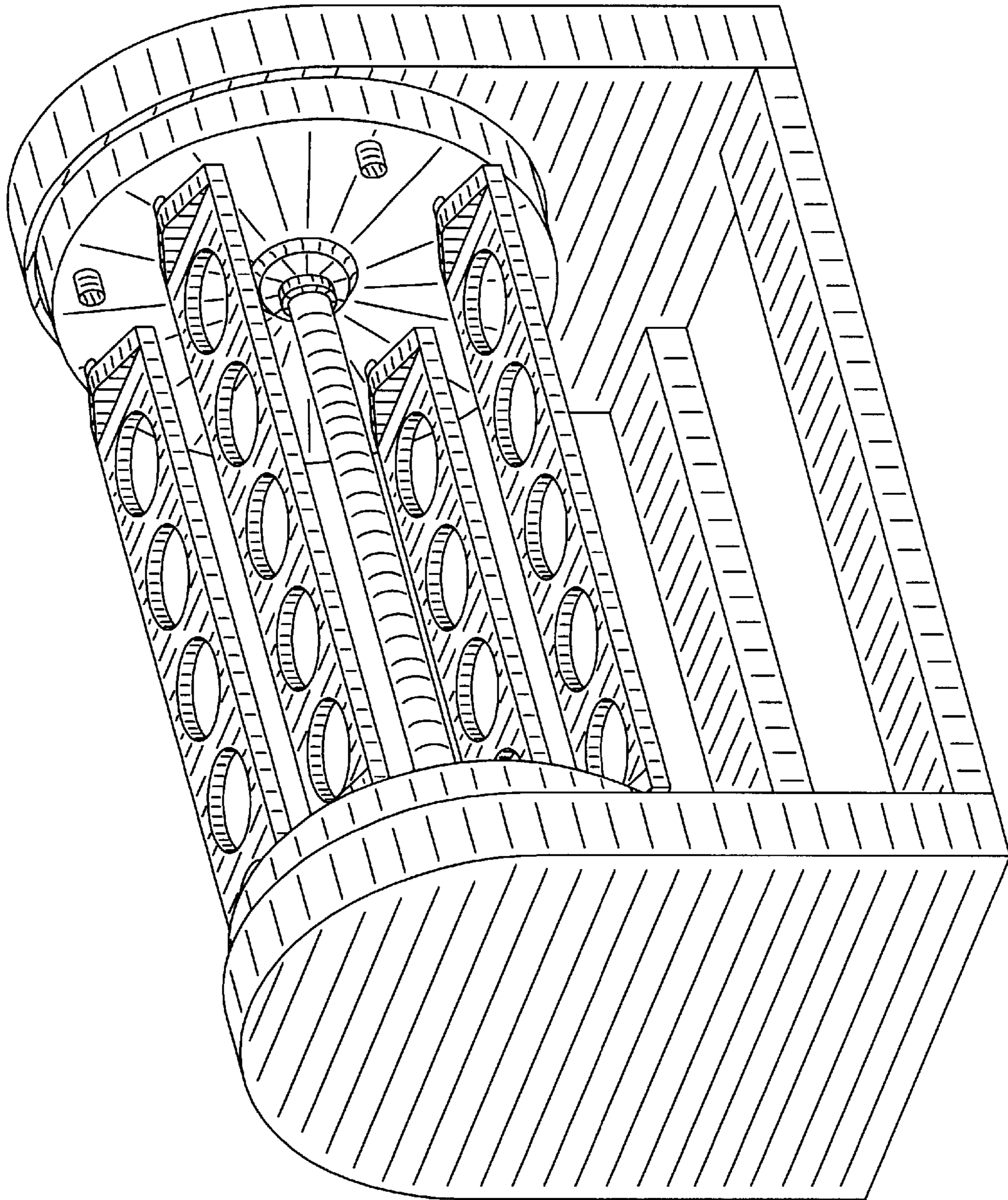


Fig. 1

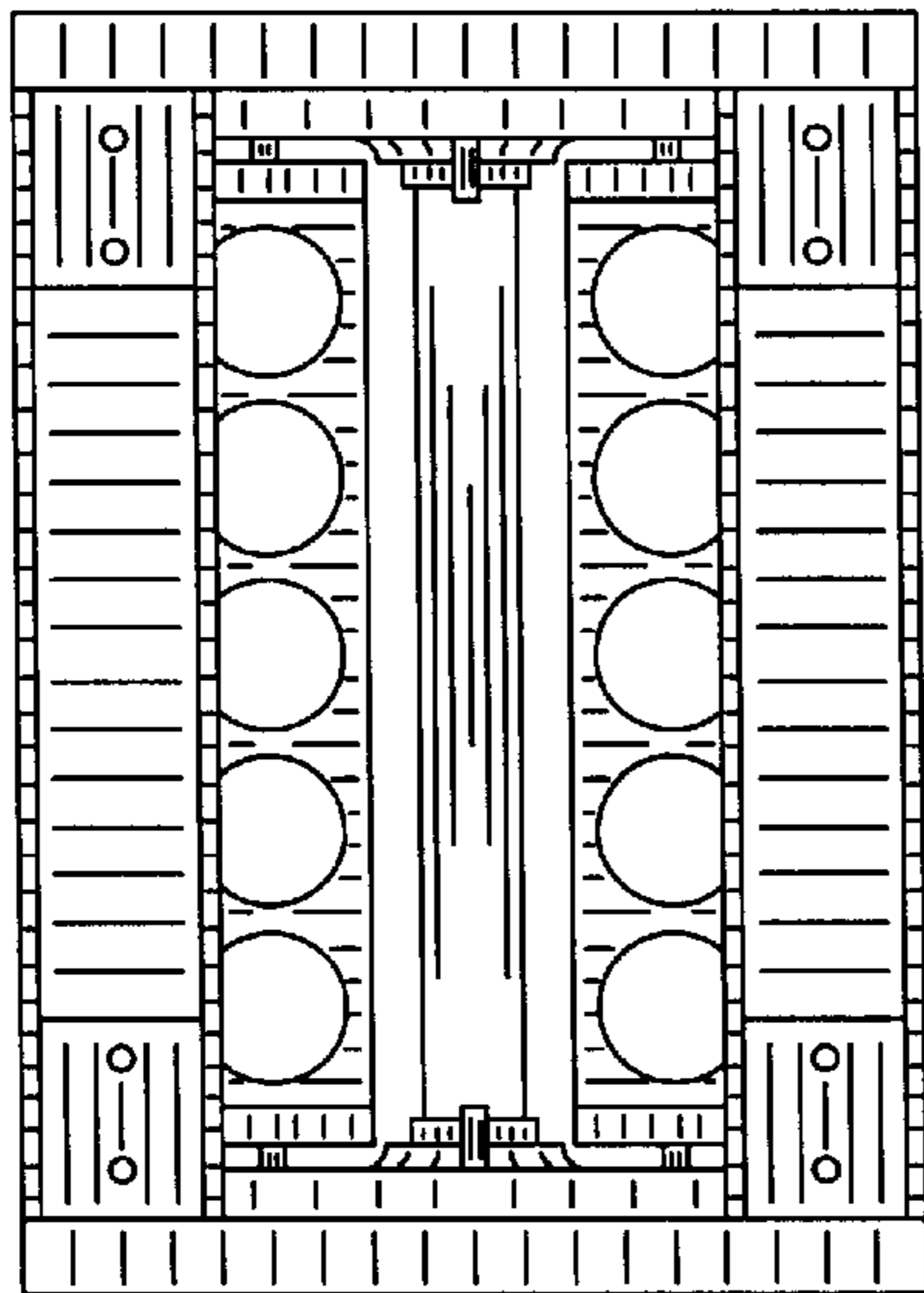


Fig. 5

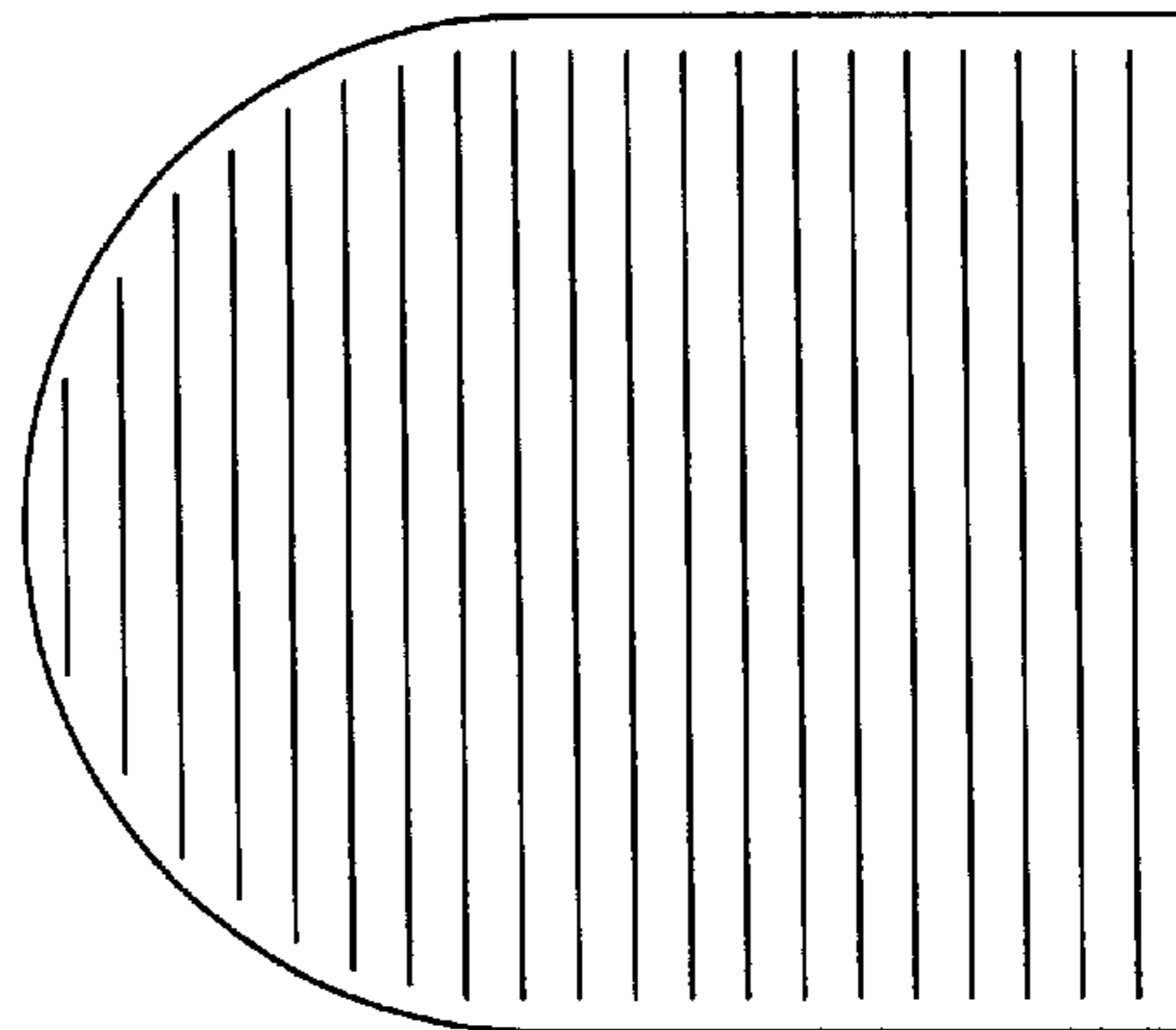


Fig. 4

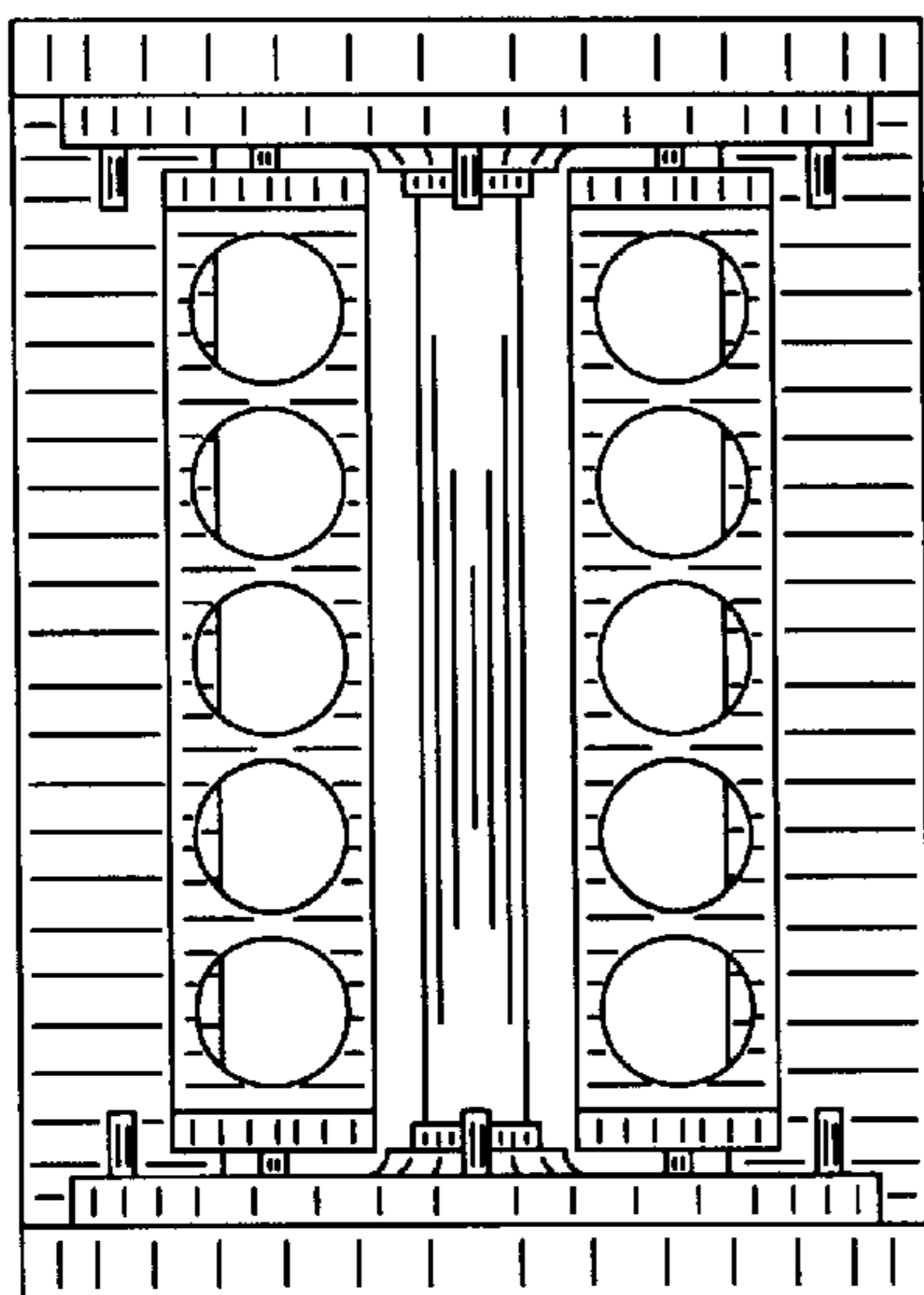


Fig. 2

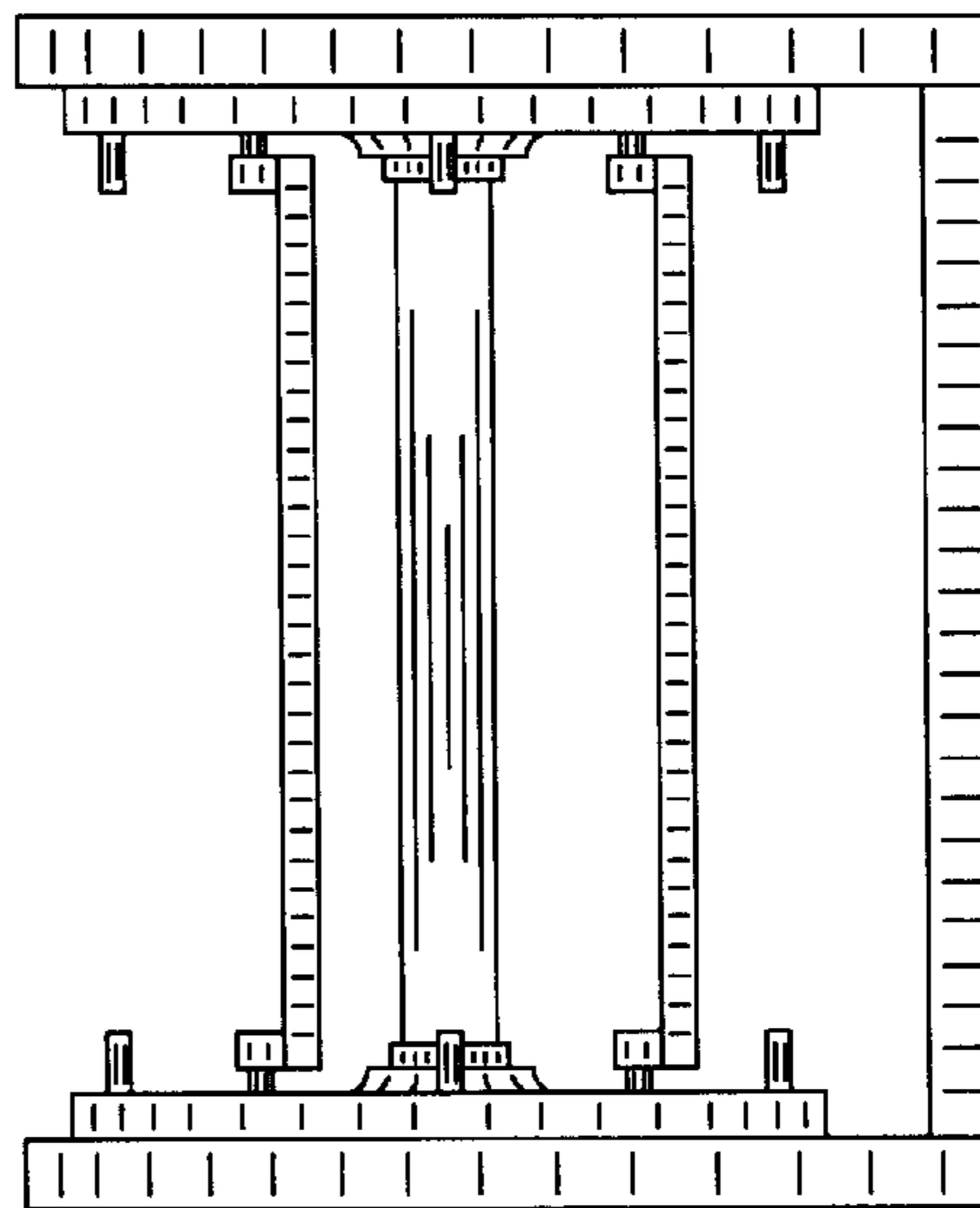


Fig. 3