



US00D488640S

(12) **United States Design Patent**  
**Domack**

(10) **Patent No.:** **US D488,640 S**

(45) **Date of Patent:** **\*\* Apr. 20, 2004**

(54) **DRESSER**

(75) **Inventor:** **Randy D. Domack**, Trempealeau, WI (US)

(73) **Assignee:** **Ashley Furniture Industries, Inc.**, Arcadia, WI (US)

(\*\*) **Term:** **14 Years**

(21) **Appl. No.:** **29/181,767**

(22) **Filed:** **May 14, 2003**

(51) **LOC (7) Cl.** ..... **06-04**

(52) **U.S. Cl.** ..... **D6/446**

(58) **Field of Search** ..... D6/432-448, 470;  
312/107, 114, 117, 198, 204, 224, 257.1,  
278, 279

(56) **References Cited**

**U.S. PATENT DOCUMENTS**

D265,155 S	6/1982	Bravo	
D270,126 S	* 8/1983	Aulbert et al.	D6/446
D357,601 S	4/1995	Brunner et al.	
D374,570 S	10/1996	Keller et al.	
D374,999 S	* 10/1996	Keller et al.	D6/444
D378,031 S	2/1997	Keller et al.	
D387,925 S	12/1997	Keller et al.	
D405,984 S	2/1999	Zaidman	

D406,202 S	* 3/1999	Zaidman	D6/439
D412,413 S	* 8/1999	Keller et al.	D6/445
D431,393 S	10/2000	Walters, III et al.	
D447,887 S	9/2001	O'Hare et al.	
D448,205 S	* 9/2001	O'Hare et al.	D6/446
D480,896 S	* 10/2003	Paus	D6/446

\* cited by examiner

*Primary Examiner*—Cathron C. Brooks

(74) *Attorney, Agent, or Firm*—Patterson, Thuente Skaar & Christensen, P.A.

(57) **CLAIM**

I claim the ornamental design for dresser, as shown.

**DESCRIPTION**

FIG. 1 is a front right perspective view of a dresser according to an embodiment of the invention.

FIG. 2 is a front elevational view of a dresser according to an embodiment of the invention.

FIG. 3 is a right side elevational view of a dresser according to an embodiment of the invention. The left side being a mirror-image thereof; and,

FIG. 4 is a top view of a dresser according to an embodiment of the invention.

The back side of the article is not considered part of the invention.

**1 Claim, 2 Drawing Sheets**

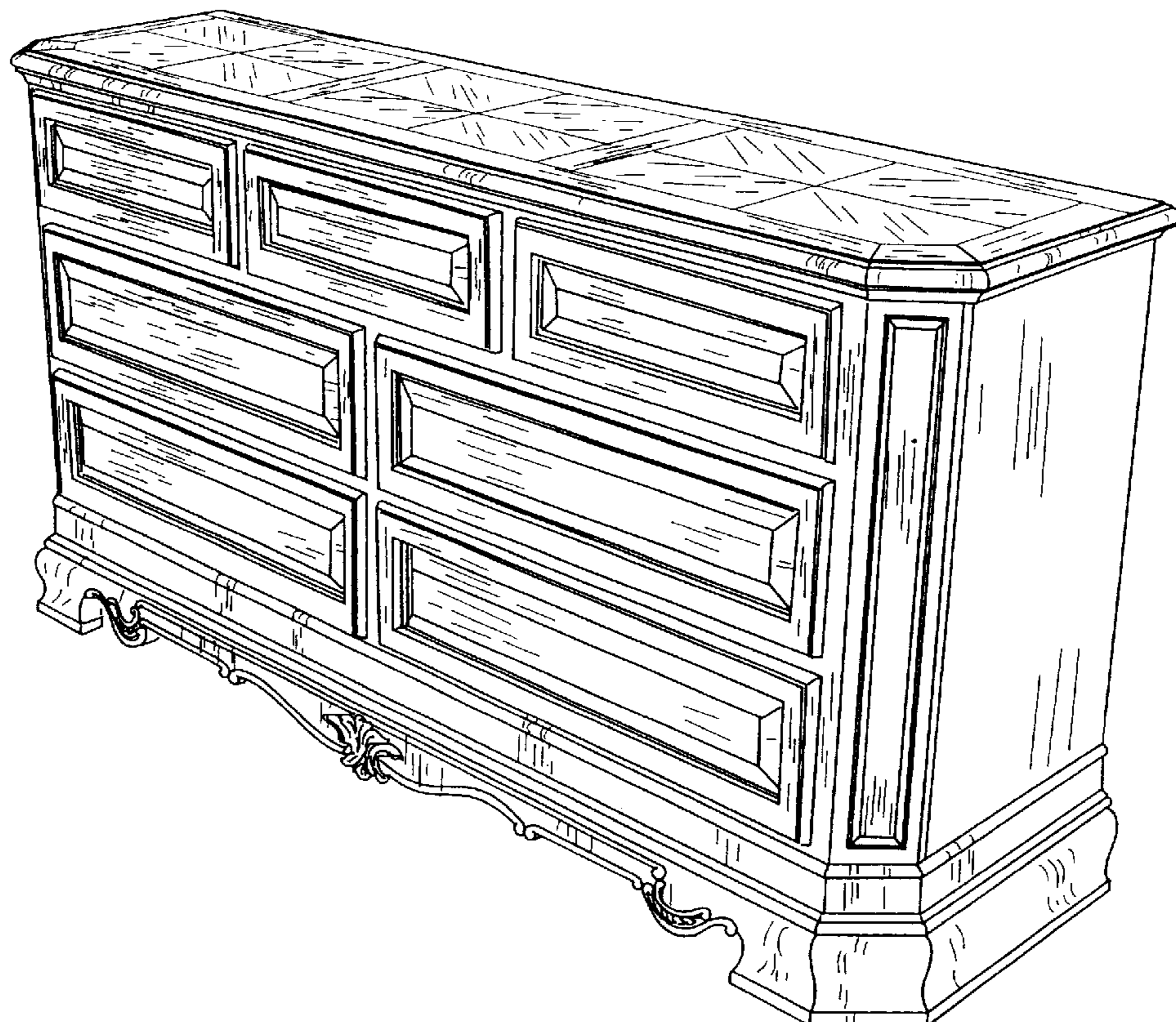


FIG. 1

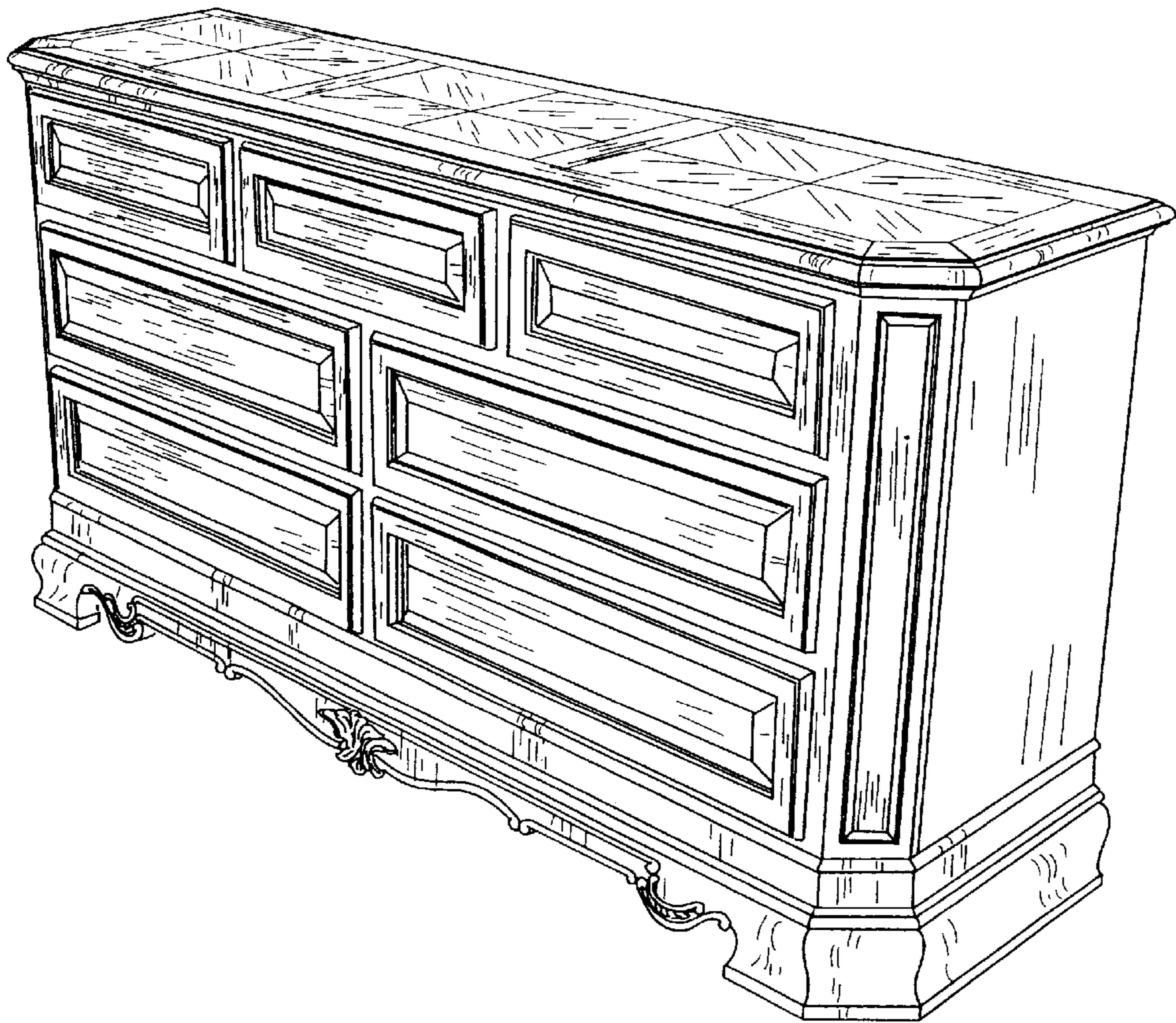


FIG. 3

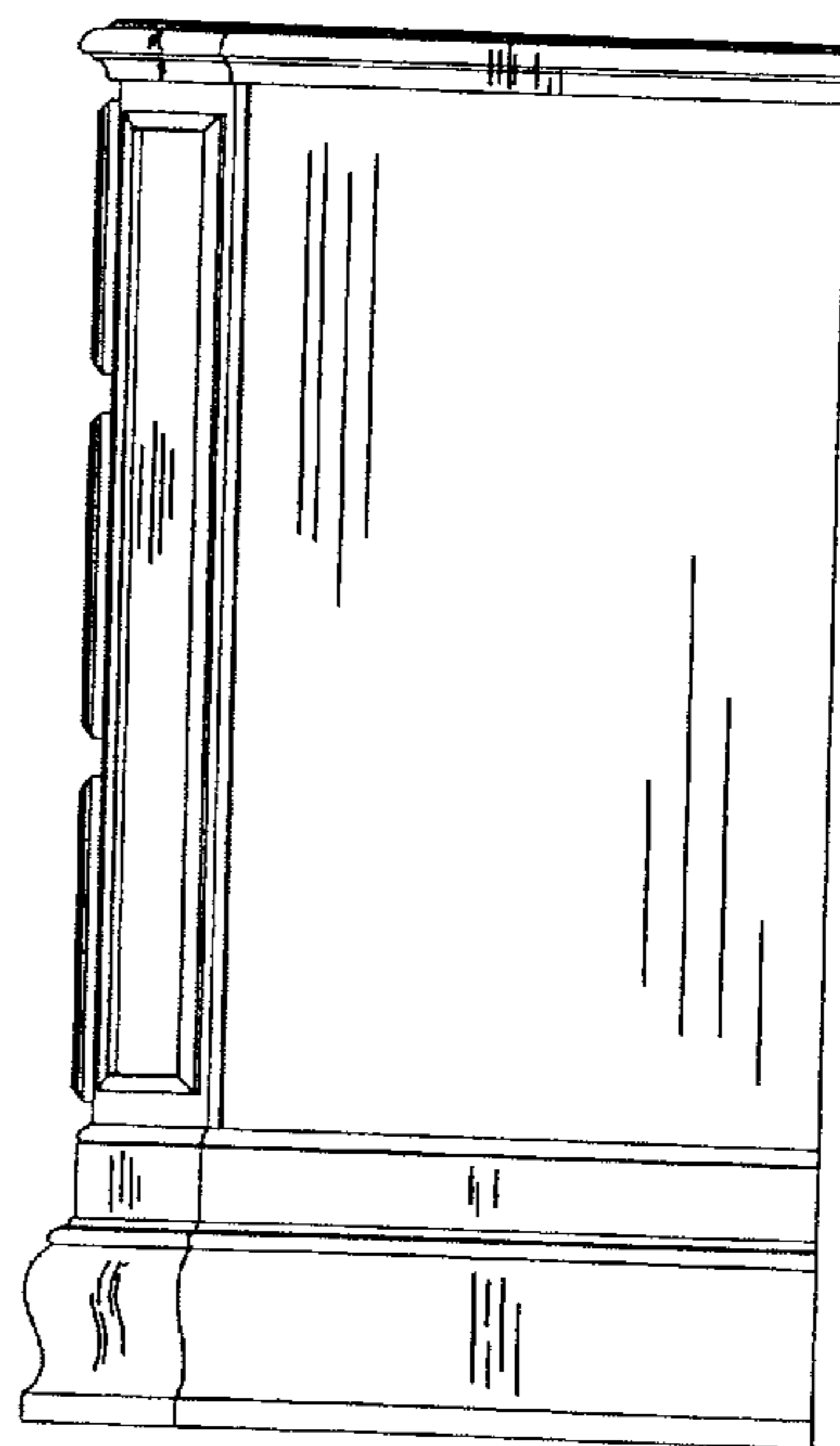


FIG. 2

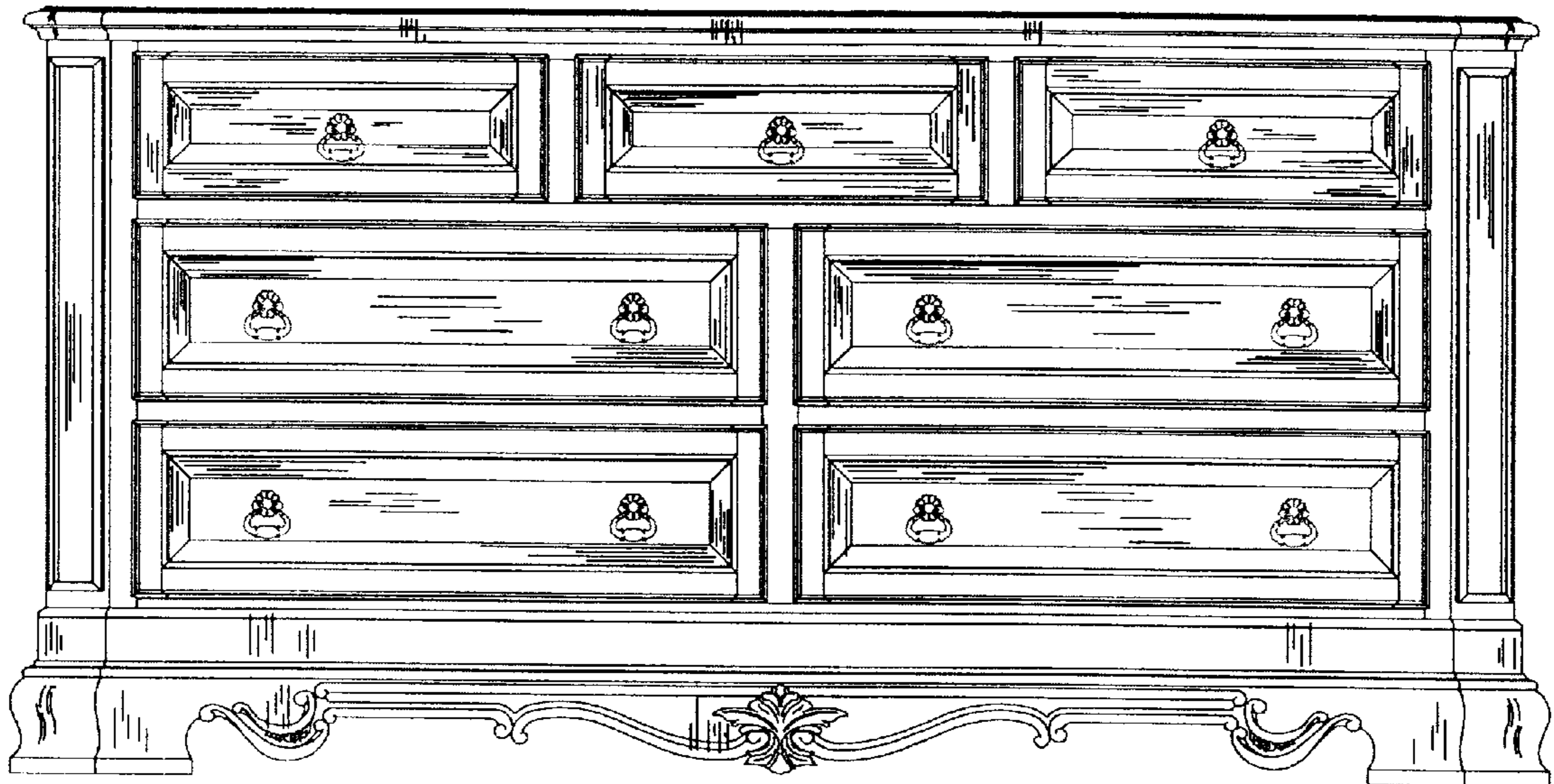


FIG. 4

